



US00D453680S

(12) **United States Design Patent**
Grintz et al.

(10) **Patent No.:** **US D453,680 S**

(45) **Date of Patent:** **** Feb. 19, 2002**

(54) **PACKAGING FOR LIGHTING DEVICES**

(75) Inventors: **Joseph Todd Grintz**, Glenmoore, PA (US); **Thomas C. Roberts**, Cherry Hill, NJ (US)

(73) Assignee: **Simkar LLC**, Philadelphia, PA (US)

(**) Term: **14 Years**

(21) Appl. No.: **29/135,471**

(22) Filed: **Jan. 12, 2001**

(51) **LOC (7) Cl.** **09-03**

(52) **U.S. Cl.** **D9/418; D9/432; D9/415**

(58) **Field of Search** D9/414, 415, 418, D9/422, 432, 337; 206/418-422, 68, 769, 770, 771, 216, 6.1, 301, 775-783, 397, 457; 229/162, 116.5, 116.1

(56) **References Cited**

U.S. PATENT DOCUMENTS

3,918,577	A	*	11/1975	Horzick	206/6.1
D259,922	S	*	7/1981	Seki	D9/418
D279,655	S	*	7/1985	Caldwell et al.	D9/418
4,880,114	A	*	11/1989	Korte	206/418
4,903,836	A	*	2/1990	Combs	206/418
5,358,134	A	*	10/1994	Ripley et al.	206/301
5,547,076	A	*	8/1996	Doi et al.	206/301
5,826,722	A	*	10/1998	Phillips	206/421
D429,148	S	*	6/2000	Seidler	D9/418
D443,819	S	*	6/2001	Gitersonke	D9/418

* cited by examiner

Primary Examiner—Prabhakar Deshmukh

(74) *Attorney, Agent, or Firm*—Duane, Morris & Heckscher LLP

(57) **CLAIM**

The ornamental design for a packaging for lighting devices, as shown and described.

DESCRIPTION

FIG. 1 is a top perspective view of a packaging for lighting devices showing the new design;

FIG. 2 is a bottom perspective view of the packaging for lighting devices of FIG. 1;

FIG. 3 is a top plan view of the packaging for lighting devices of FIG. 1;

FIG. 4 is a bottom plan view of the packaging for lighting devices of FIG. 1;

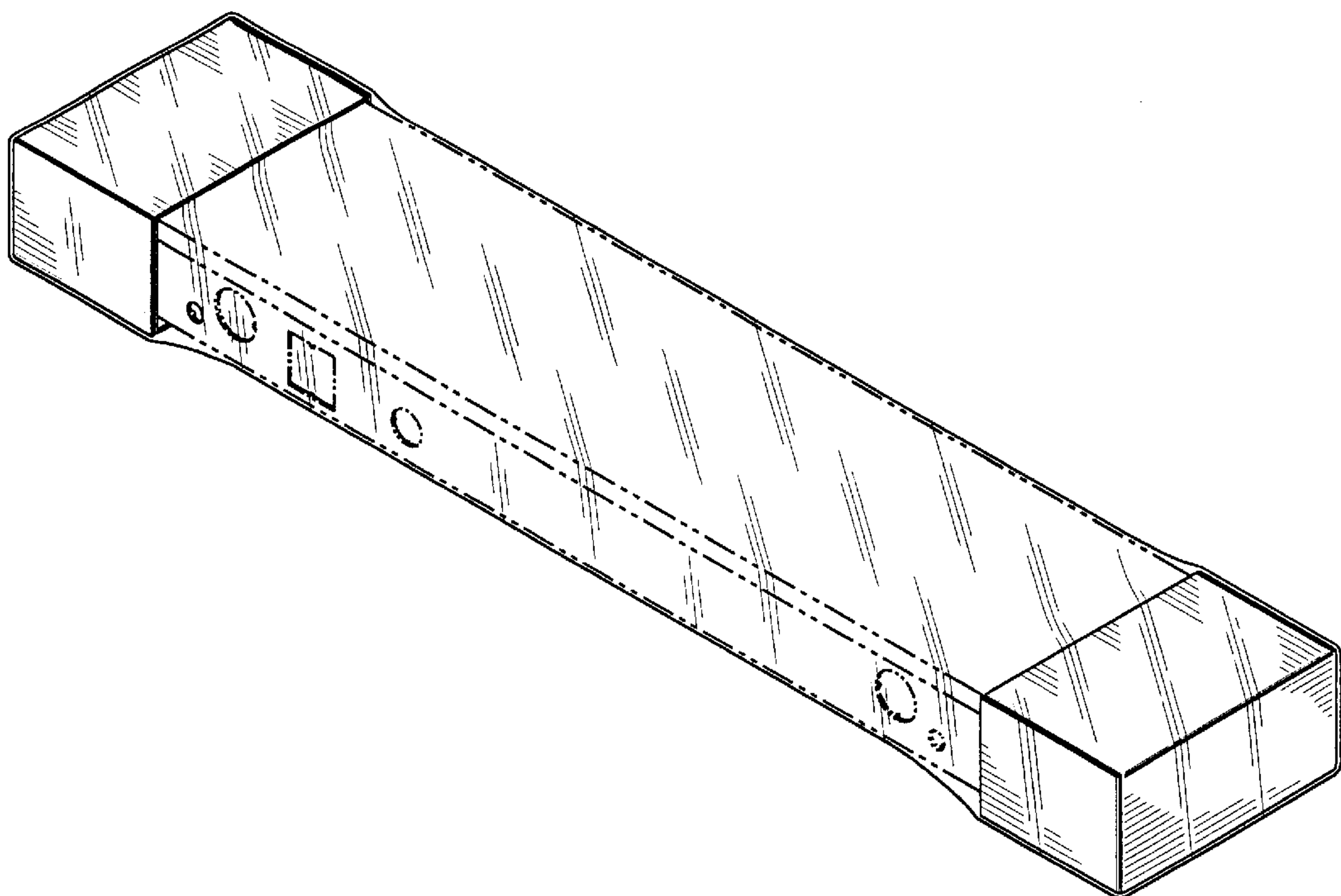
FIG. 5 is a right side elevational view of the packaging for lighting devices of FIG. 1;

FIG. 6 is a left side elevational view of the packaging for lighting devices of FIG. 1; and,

FIG. 7 is a side elevation view of the packaging for lighting devices of FIG. 1.

The phantom representation of the lighting device is made in the drawings merely for the purpose of showing an exemplary environment in which the invention may be used. The structure shown in phantom is not part of the design sought to be patented.

1 Claim, 3 Drawing Sheets



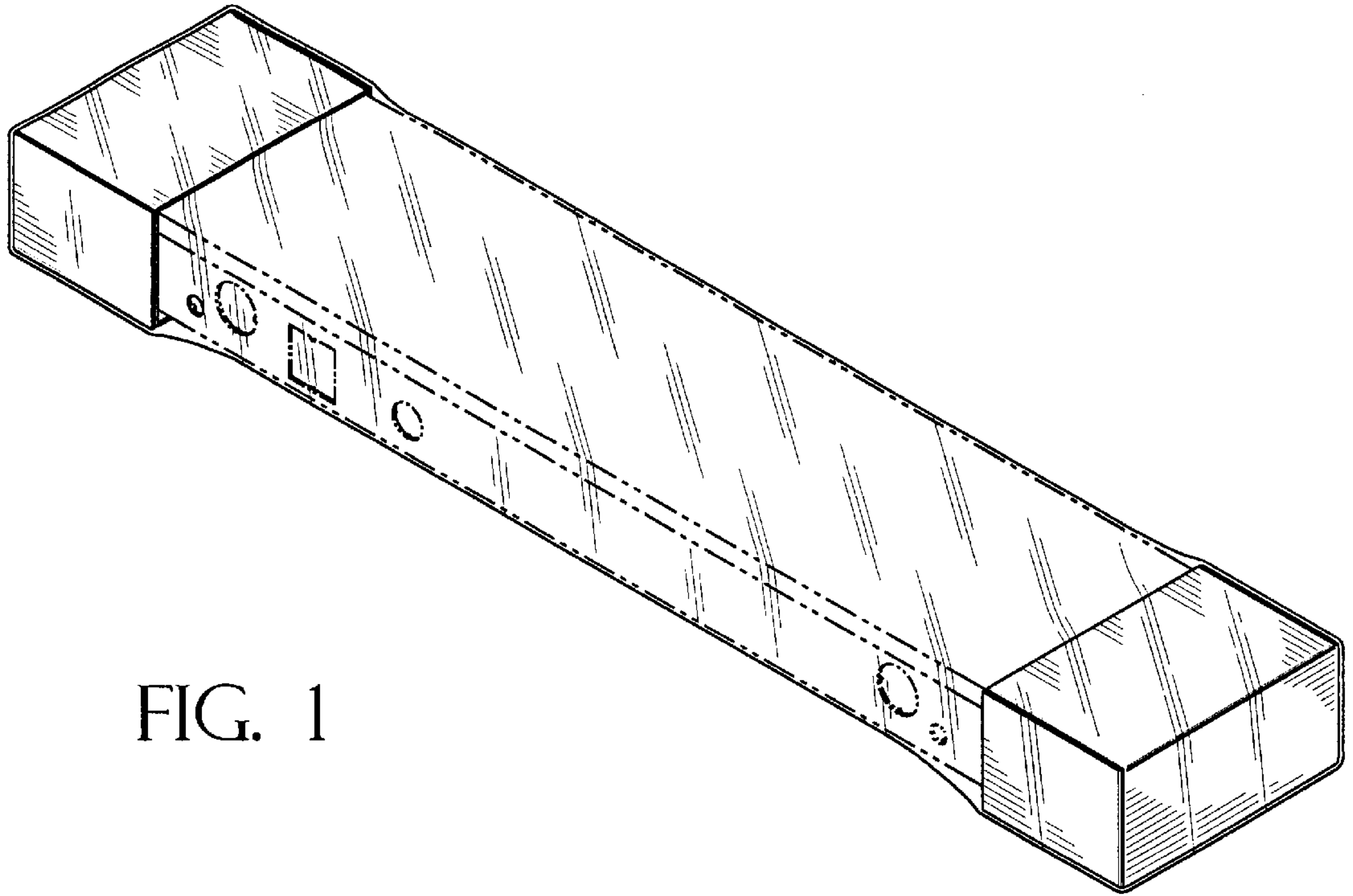


FIG. 1

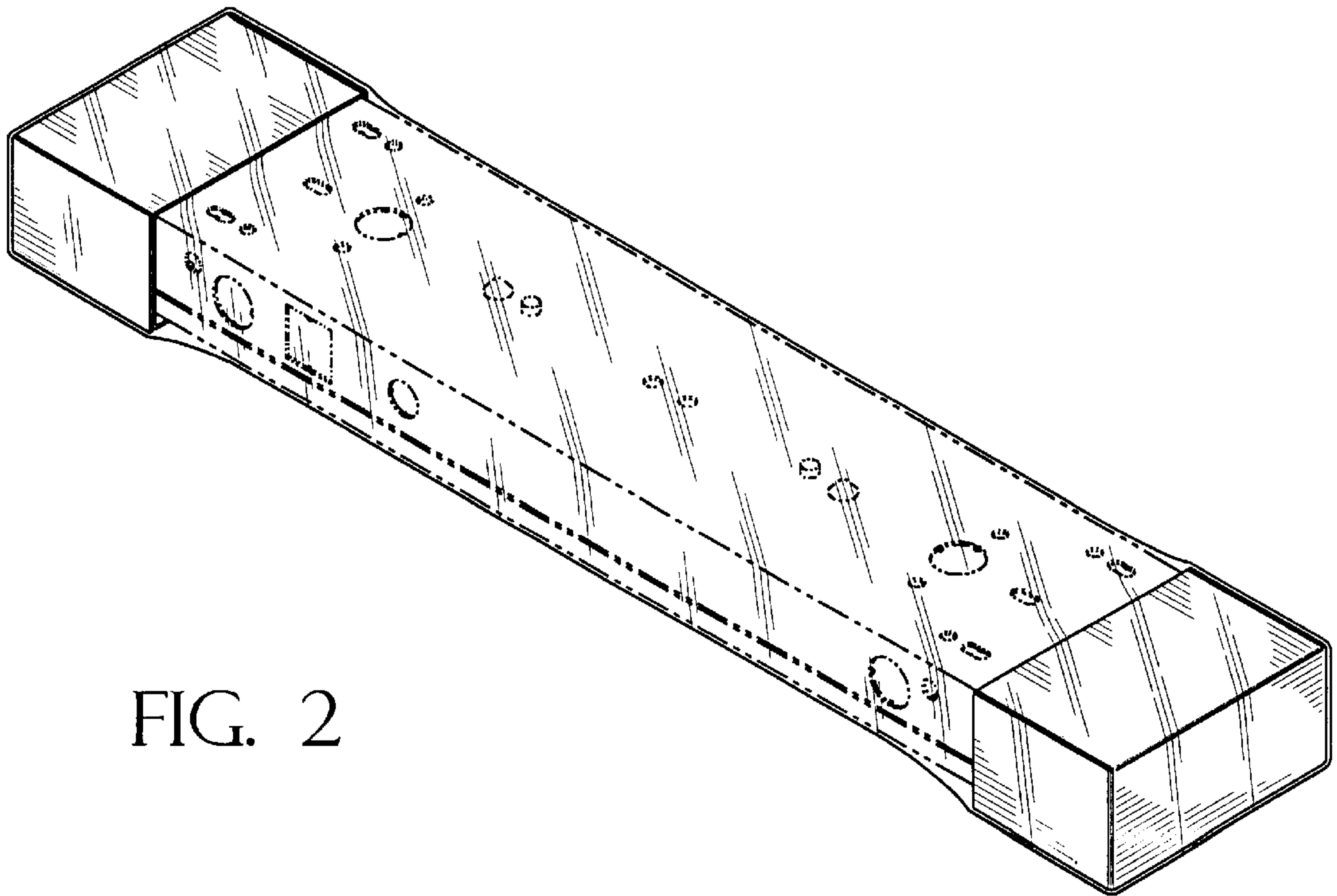


FIG. 2

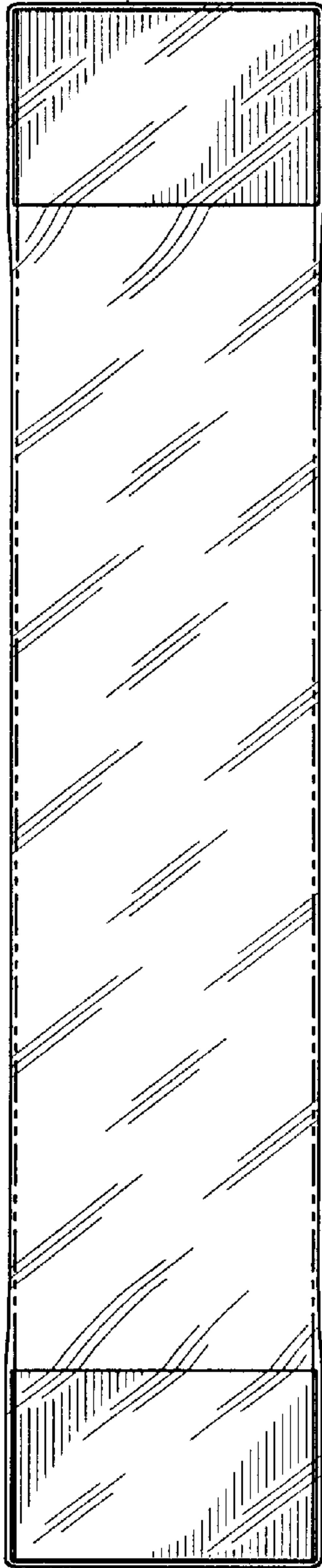


FIG. 3

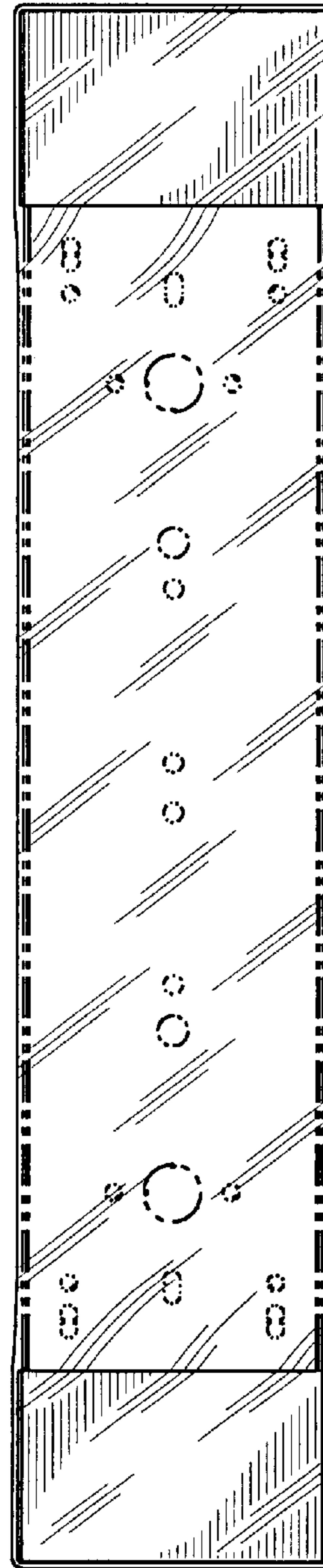


FIG. 4

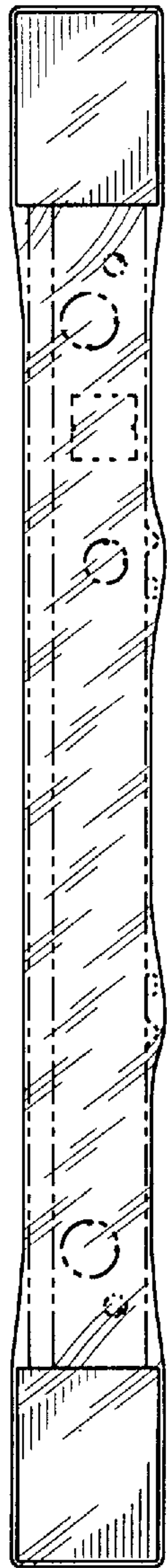


FIG. 5

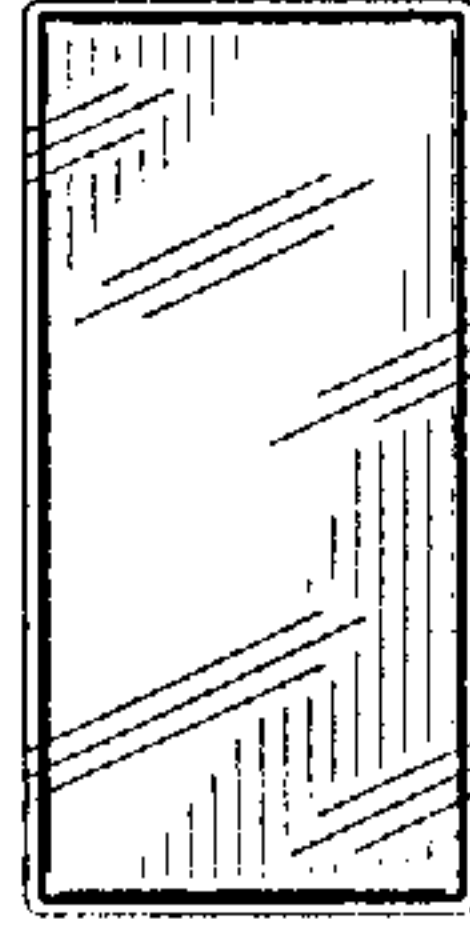


FIG. 7

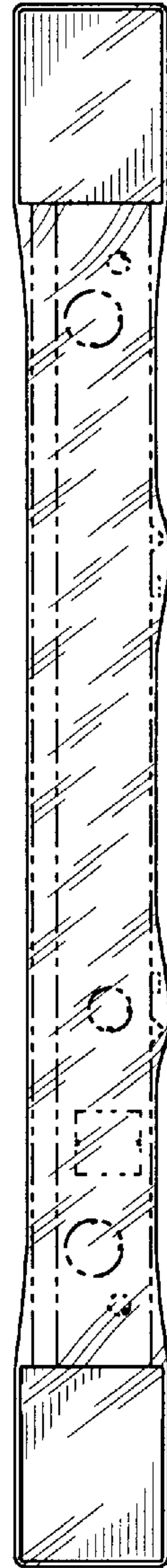


FIG. 6