



US00D453677S

(12) **United States Design Patent**  
**Machijima**

(10) **Patent No.:** **US D453,677 S**

(45) **Date of Patent:** **\*\* Feb. 19, 2002**

(54) **FIXTURE FOR A PROXIMITY SENSOR IN A FLUID PRESSURE CYLINDER**

(75) Inventor: **Mitsuru Machijima**, Ibaraki (JP)

(73) Assignee: **SMC Corporation**, Tokyo (JP)

(\*\*) Term: **14 Years**

(21) Appl. No.: **29/139,775**

(22) Filed: **Apr. 6, 2001**

(30) **Foreign Application Priority Data**

Oct. 6, 2000 (JP) ..... 2000-028327

(51) **LOC (7) Cl.** ..... **08-05**

(52) **U.S. Cl.** ..... **D8/354**

(58) **Field of Search** ..... D8/349, 356, 354, D8/394-396; 24/336, 339, 346; 248/68.1, 74.1-74.4, 224.51, 223.31, 224.61, 229.1, 316.1, 27.1, 560, 313, 316.6, 904

(56) **References Cited**

**U.S. PATENT DOCUMENTS**

4,632,352 A \* 12/1986 Stoll ..... 248/313  
D404,638 S \* 1/1999 Machijima ..... D8/354

\* cited by examiner

*Primary Examiner*—Antoine D Davis  
(74) *Attorney, Agent, or Firm*—Oblon, Spivak, McClelland, Maier & Neustadt, P.C.

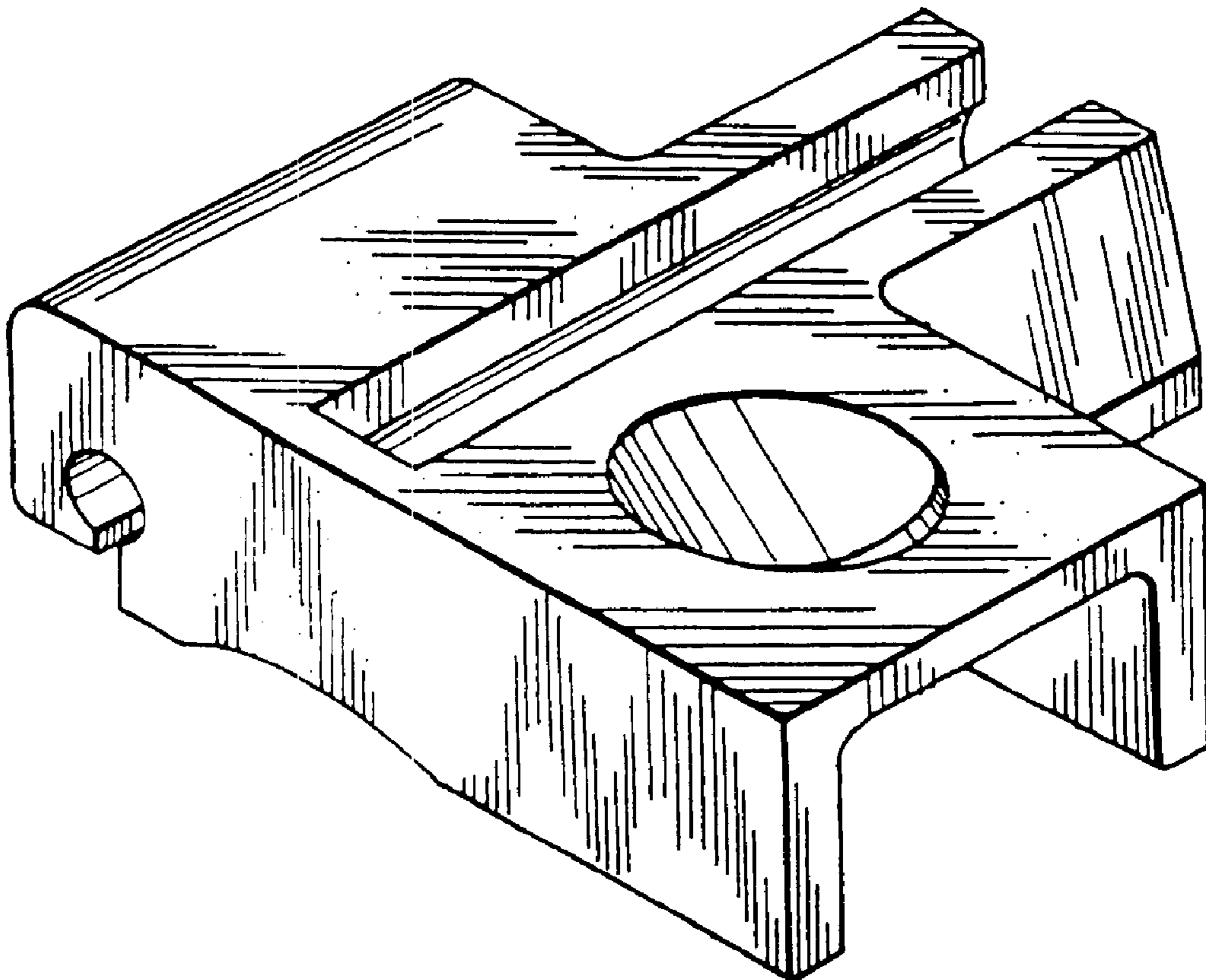
(57) **CLAIM**

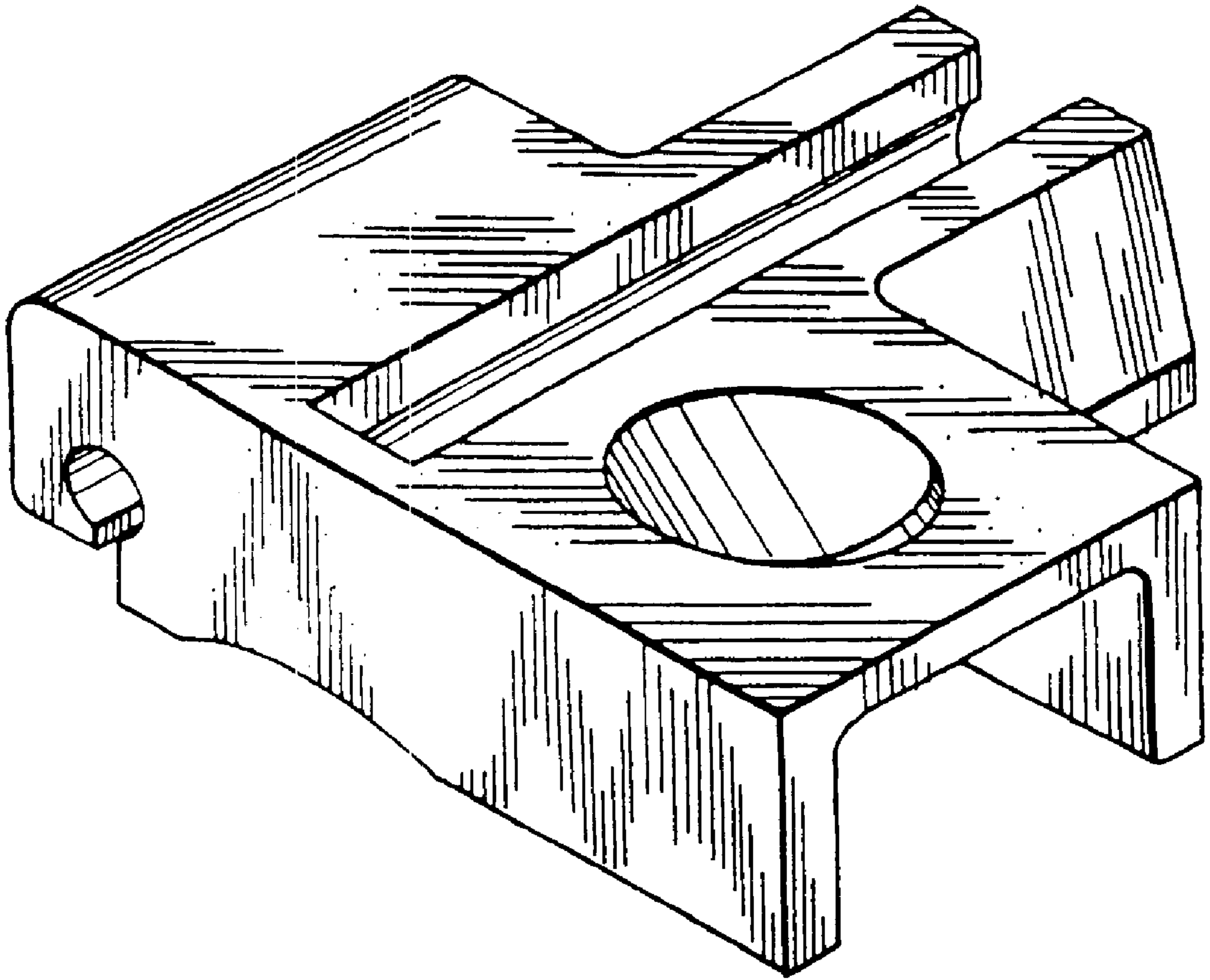
The ornamental design for a fixture for a proximity sensor in a fluid pressure cylinder, as shown and described.

**DESCRIPTION**

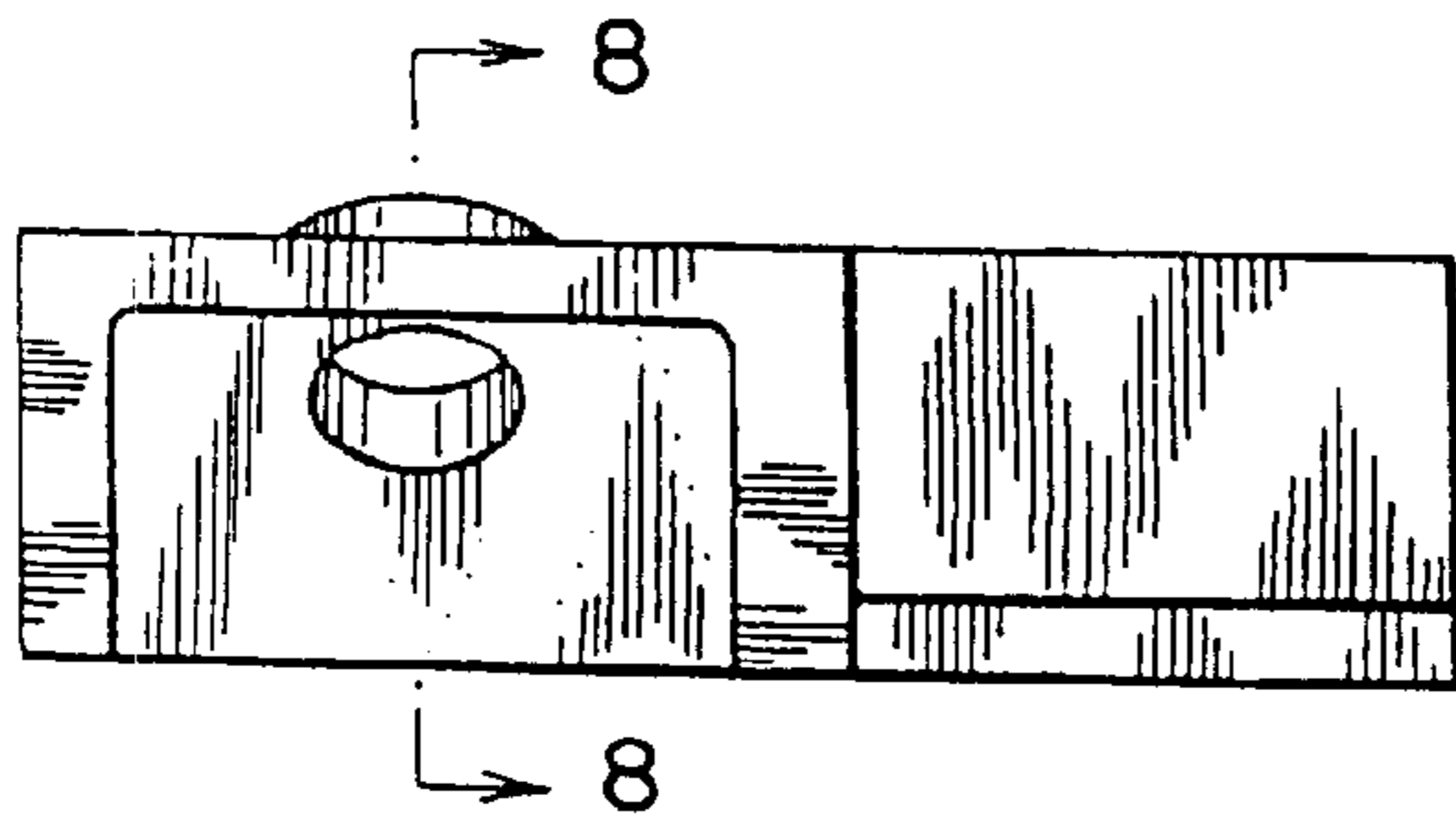
FIG. 1 is a top, front and left side perspective view of a fixture for a proximity sensor in a fluid pressure cylinder, showing my new design;  
FIG. 2 is a front elevational view thereof;  
FIG. 3 is a rear elevational view thereof;  
FIG. 4 is a top plan view thereof;  
FIG. 5 is a bottom plan view thereof;  
FIG. 6 is a right side elevational view thereof;  
FIG. 7 is a left side elevational view thereof;  
FIG. 8 is a cross-sectional view thereof taken along line 8—8 in FIG. 2; and,  
FIG. 9 is a top, front and left side perspective view thereof shown when in use with a cylinder.  
The broken line showing of the cylinder and related structure in FIG. 9 is for illustrative purposes only and forms no part of the claimed design.

**1 Claim, 4 Drawing Sheets**

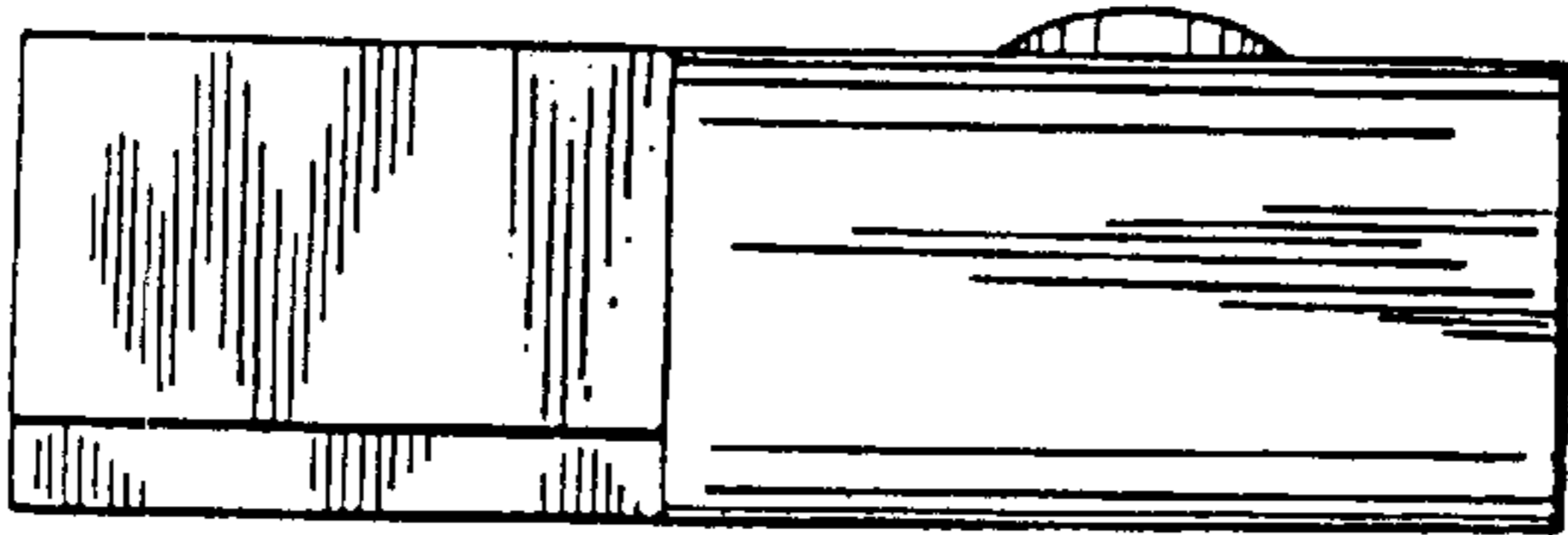




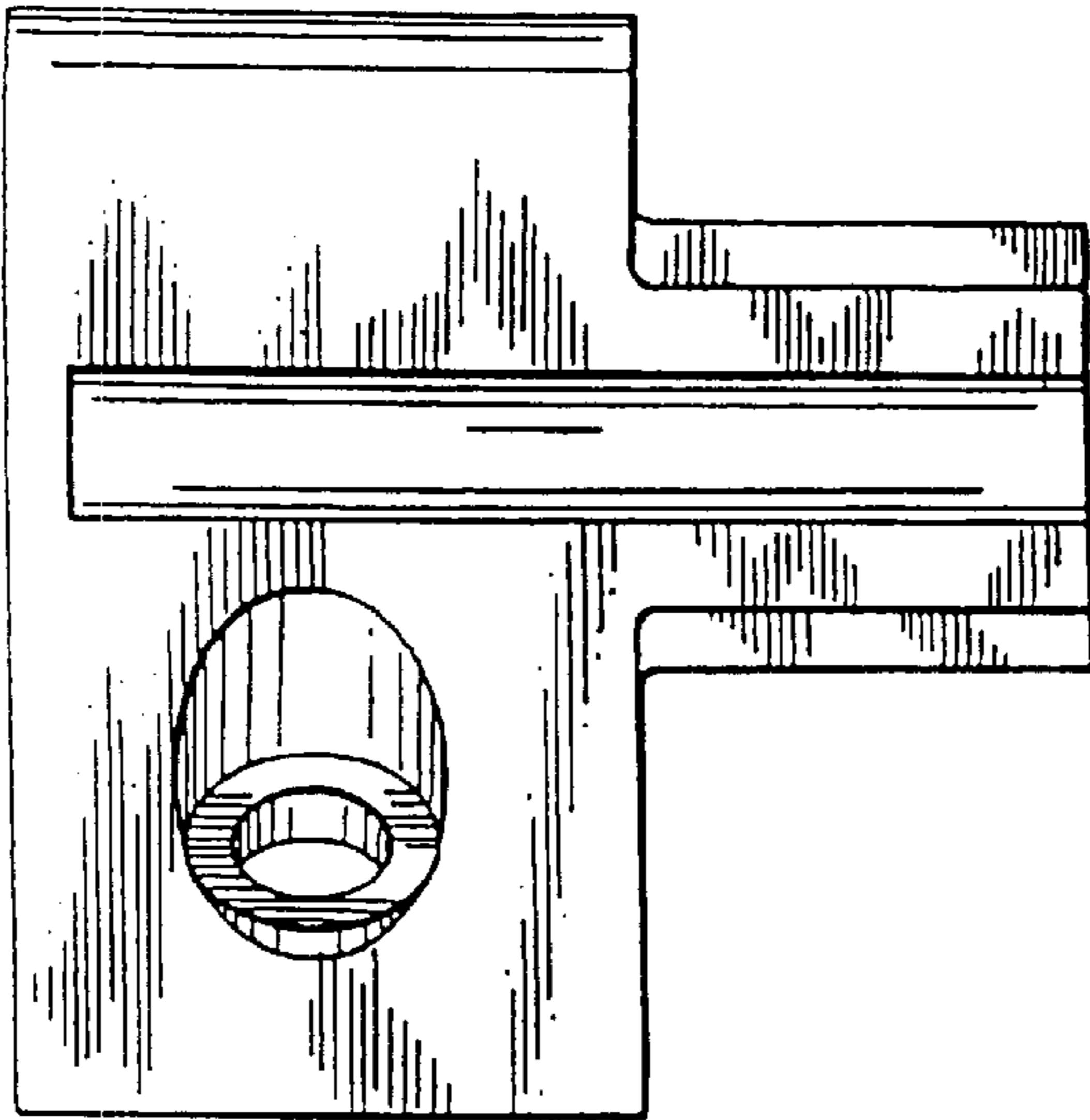
*FIG. 1*



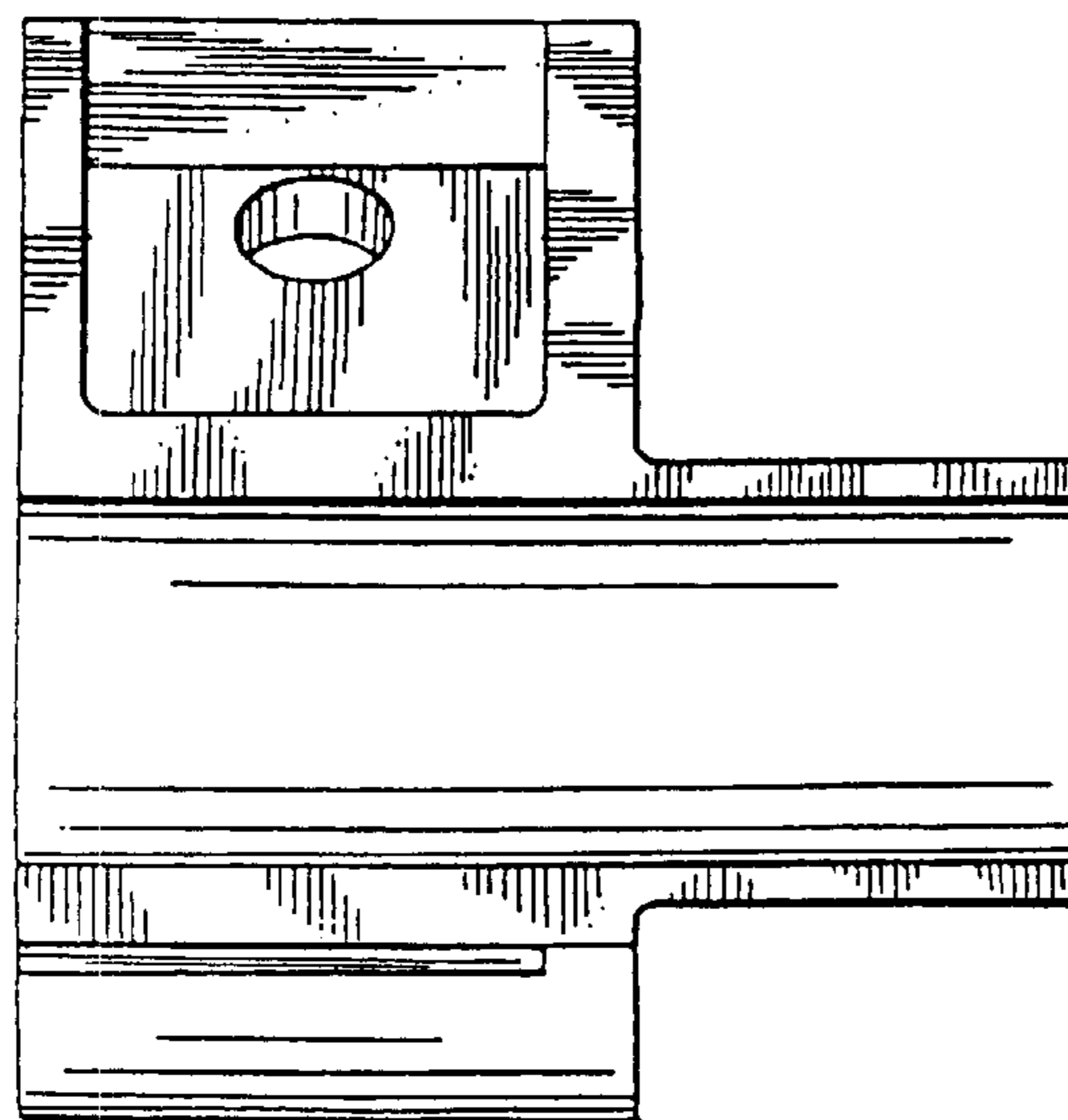
*FIG. 2*



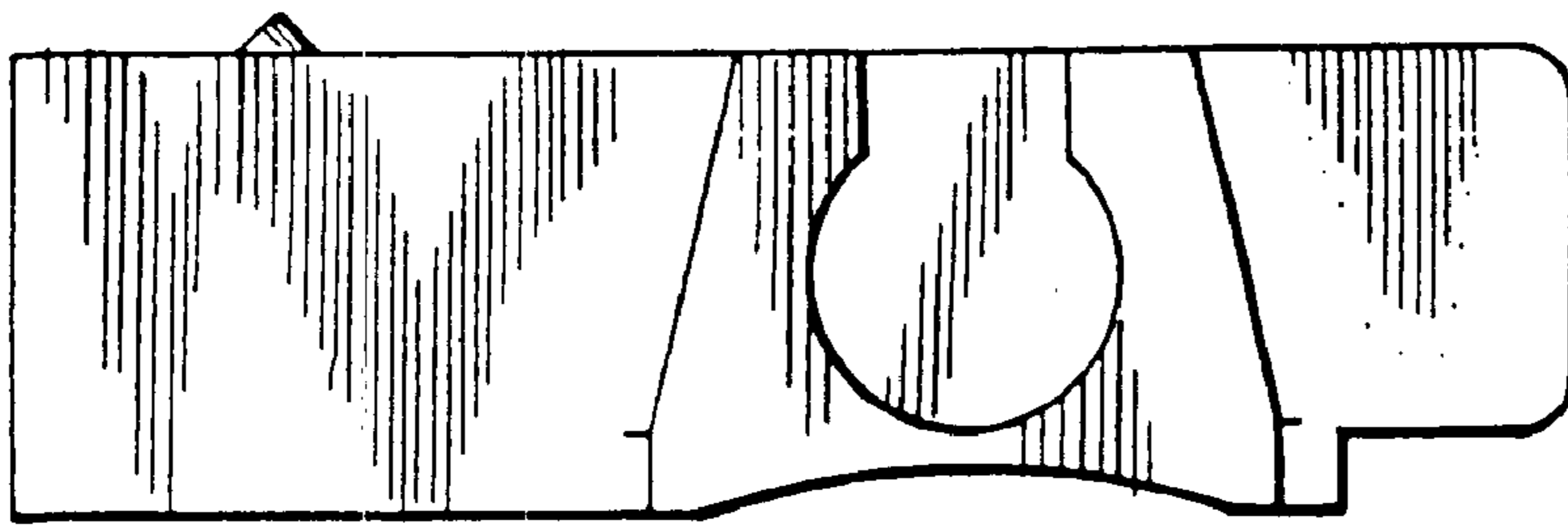
*FIG. 3*



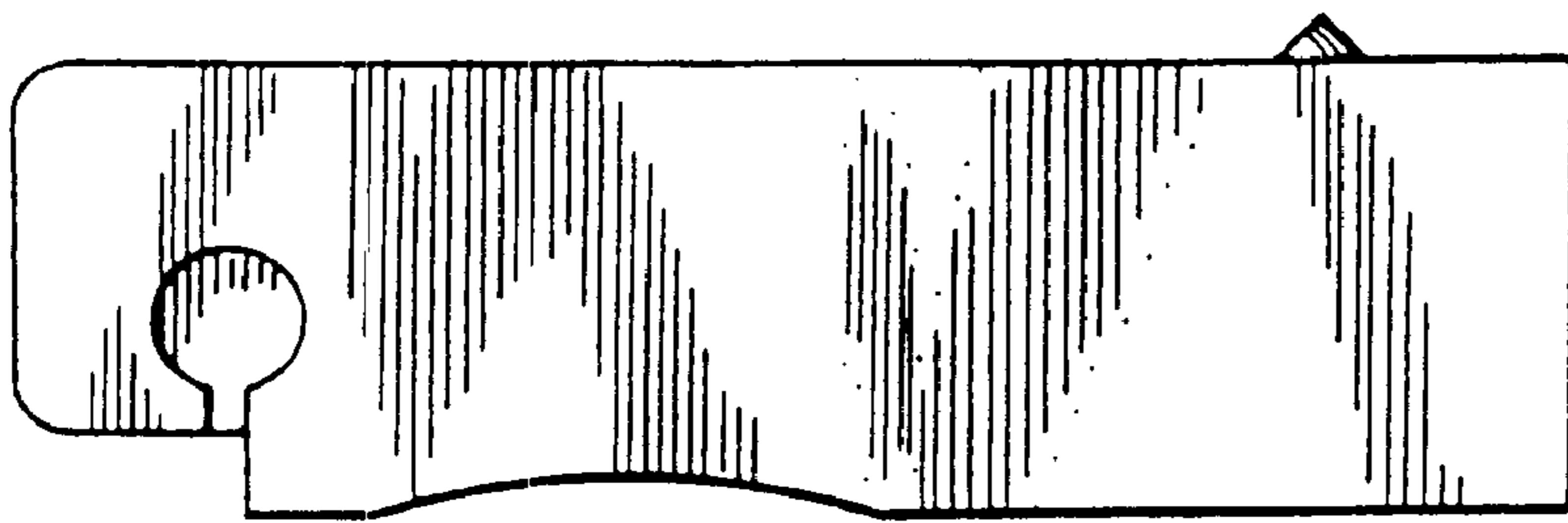
*FIG. 4*



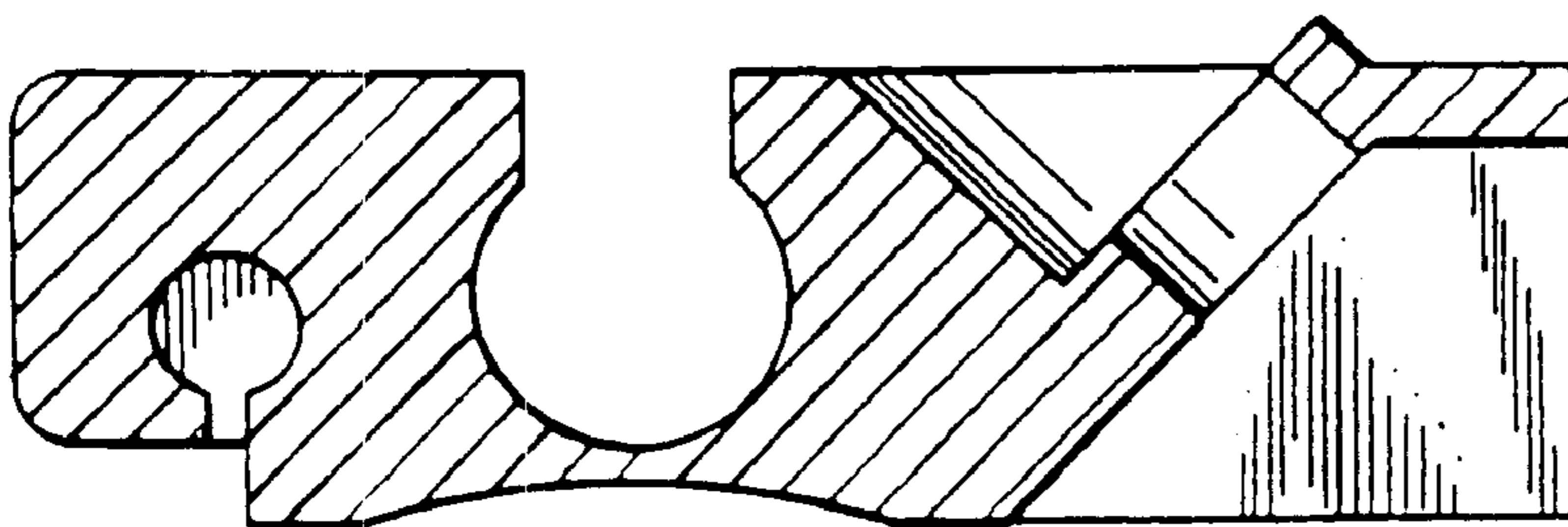
*FIG. 5*



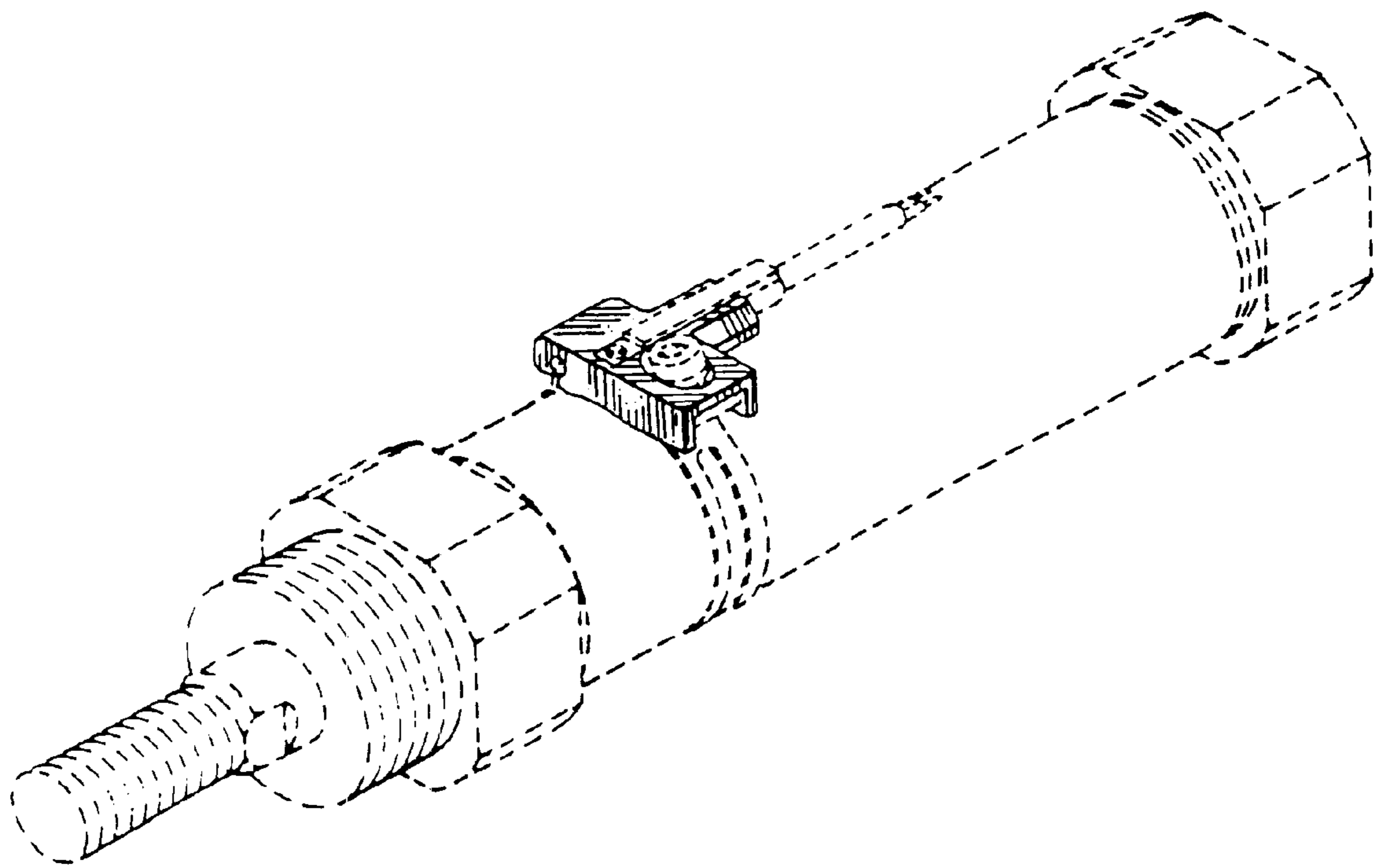
*FIG. 6*



*FIG. 7*



*FIG. 8*



*FIG. 9*