



US00D453676S

(12) **United States Design Patent**
Pliml, Jr.

(10) **Patent No.:** **US D453,676 S**

(45) **Date of Patent:** **** Feb. 19, 2002**

(54) **FILE RETENTION CLIP**

(75) **Inventor:** **Frank V. Pliml, Jr.**, Arlington Heights,
IL (US)

(73) **Assignee:** **Illinois Tool Works Inc.**, Glenview, IL
(US)

(**) **Term:** **14 Years**

(21) **Appl. No.:** **29/129,315**

(22) **Filed:** **Sep. 12, 2000**

(51) **LOC (7) Cl.** **08-08**

(52) **U.S. Cl.** **D8/349; D8/383; D19/100**

(58) **Field of Search** D20/43; D19/99,
D19/100; D25/119; 40/359, 360; D8/349,
354, 382, 383; 211/45; 24/455, 545, 546,
346, 370, 541, 563, 716; 248/214

(56) **References Cited**

U.S. PATENT DOCUMENTS

- 2,847,776 A * 3/1958 Robertson 40/360
- 3,288,506 A * 11/1966 Cline 24/563
- D235,416 S * 6/1975 Fortsch D8/382

- D314,017 S * 1/1991 Garfinkle D20/43
- D347,384 S * 5/1994 White et al. D8/395
- 5,388,283 A * 2/1995 Garnett 24/563
- 5,409,198 A * 4/1995 Roick 24/563
- D417,837 S * 12/1999 Nakamura D8/395

* cited by examiner

Primary Examiner—Doris V. Coles

Assistant Examiner—T. Chase Nelson

(74) *Attorney, Agent, or Firm*—Pitney, Hardin, Kipp &
Szuch LLP

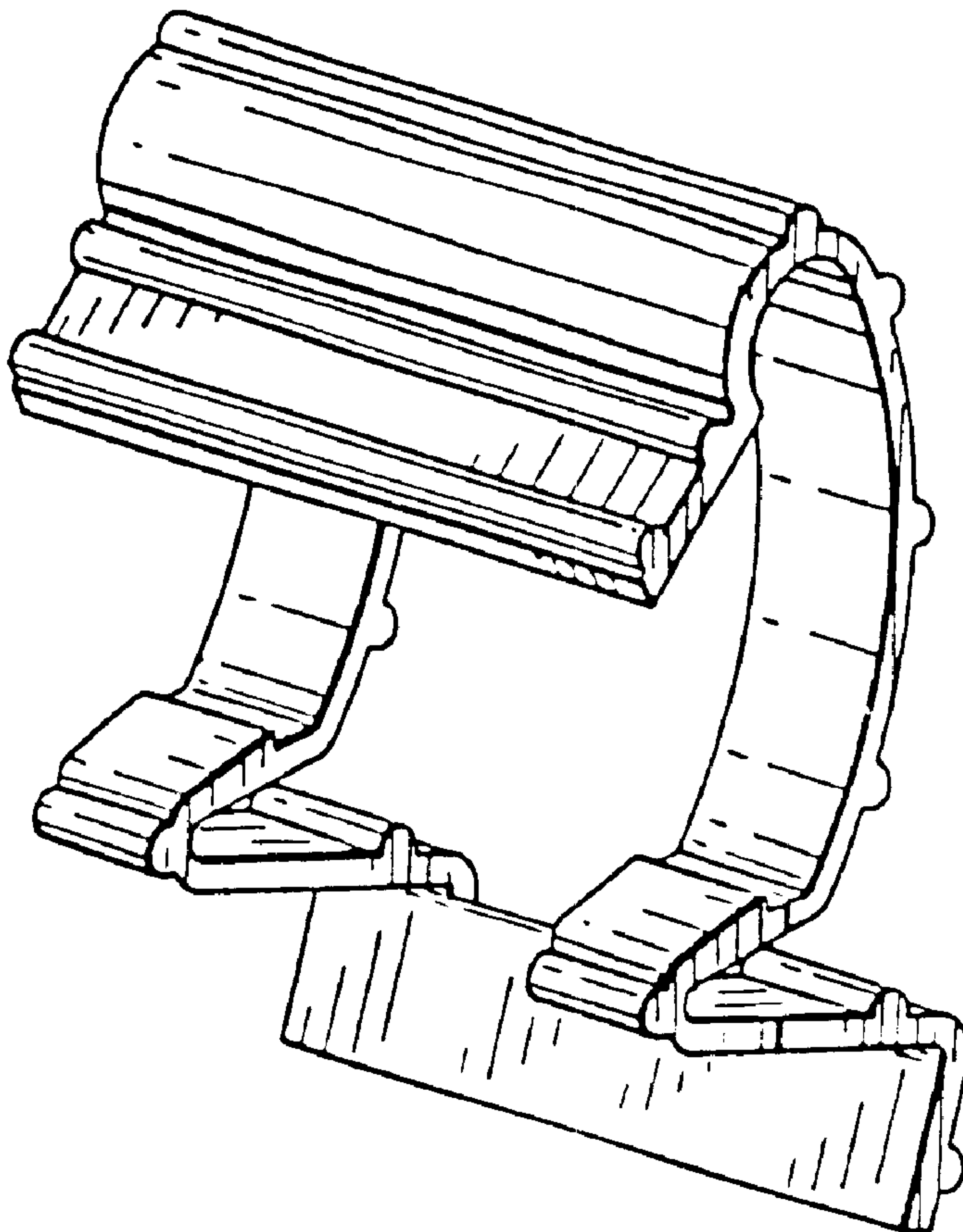
(57) **CLAIM**

The ornamental design for a file retention clip, as shown and described.

DESCRIPTION

FIG. 1 is a perspective view of my new file retention clip;
 FIG. 2 is a top plan view thereof;
 FIG. 3 is a front view thereof;
 FIG. 4 is a bottom plan view thereof;
 FIG. 5 is a right side view thereof, the opposite side being
 a mirror image; and,
 FIG. 6 is a rear view thereof.

1 Claim, 2 Drawing Sheets



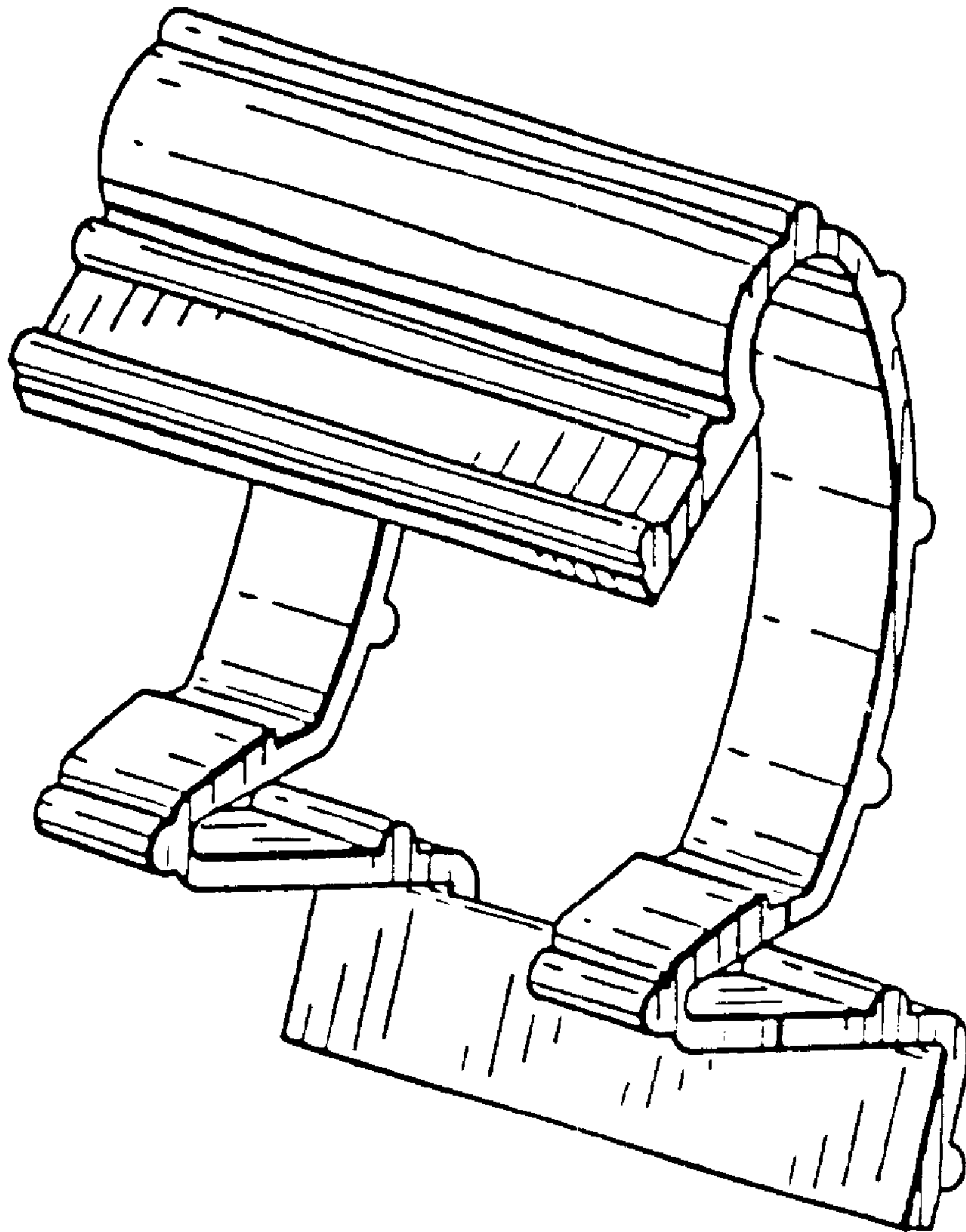


FIG. 1

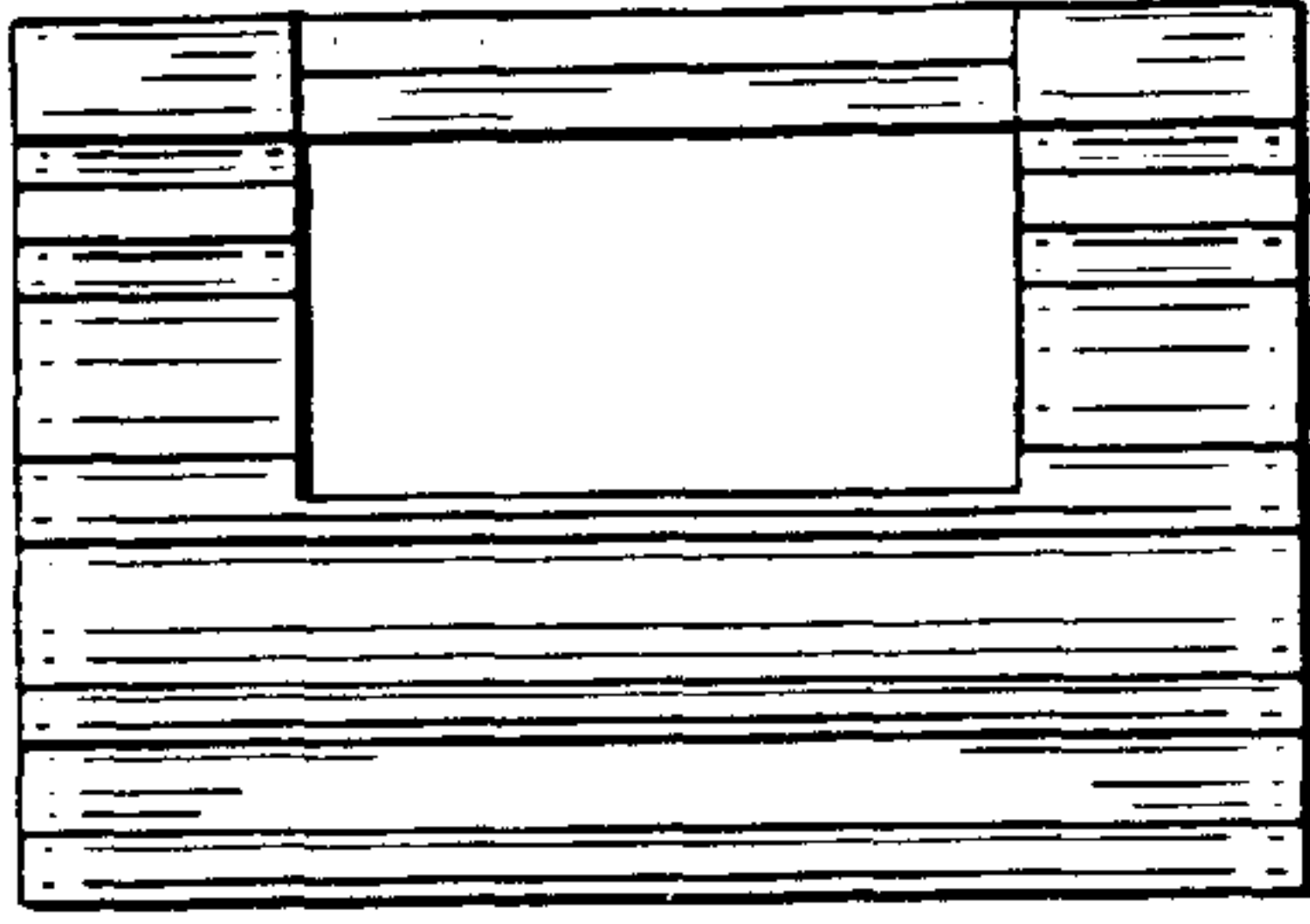


FIG. 2

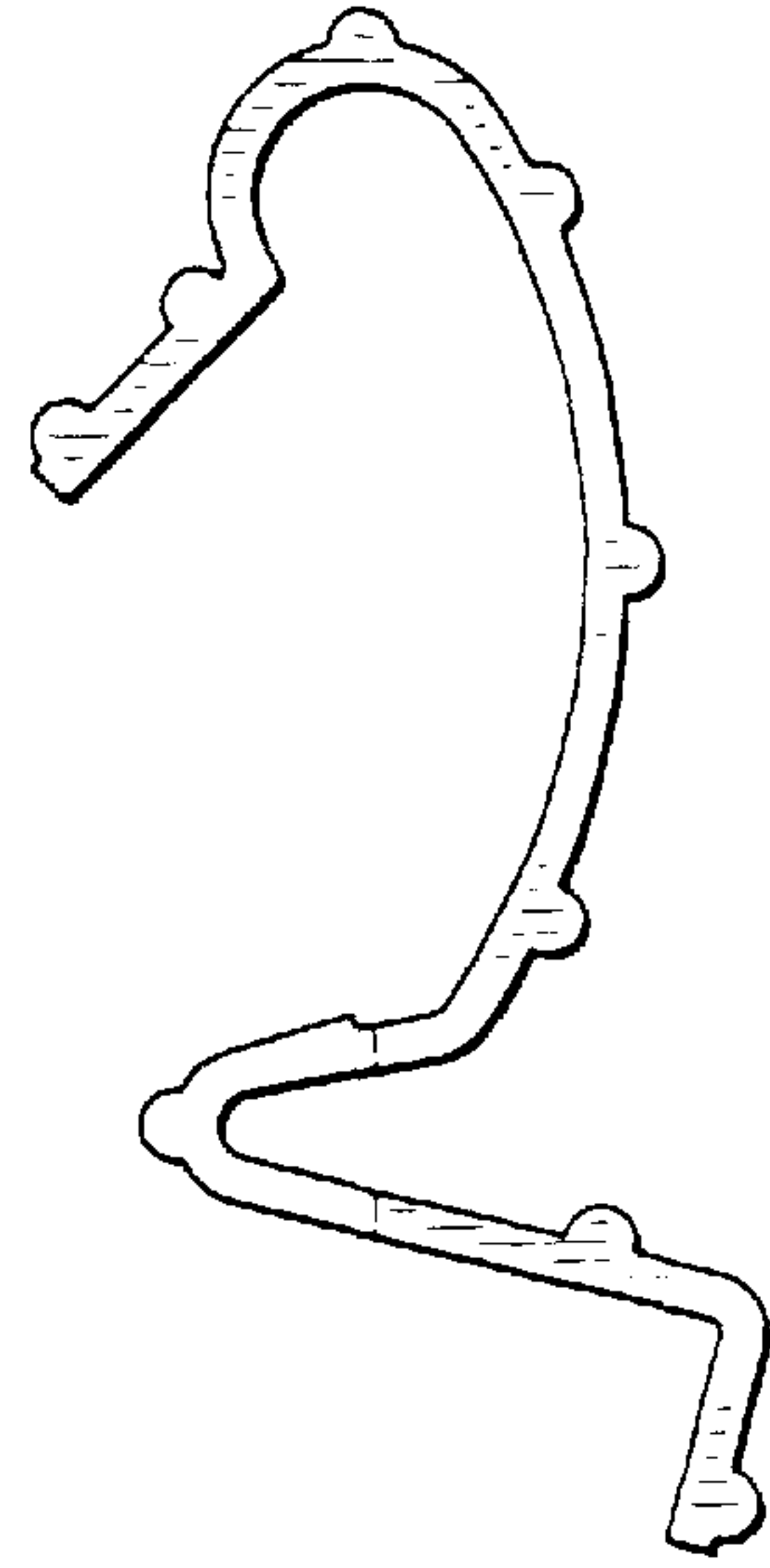


FIG. 5

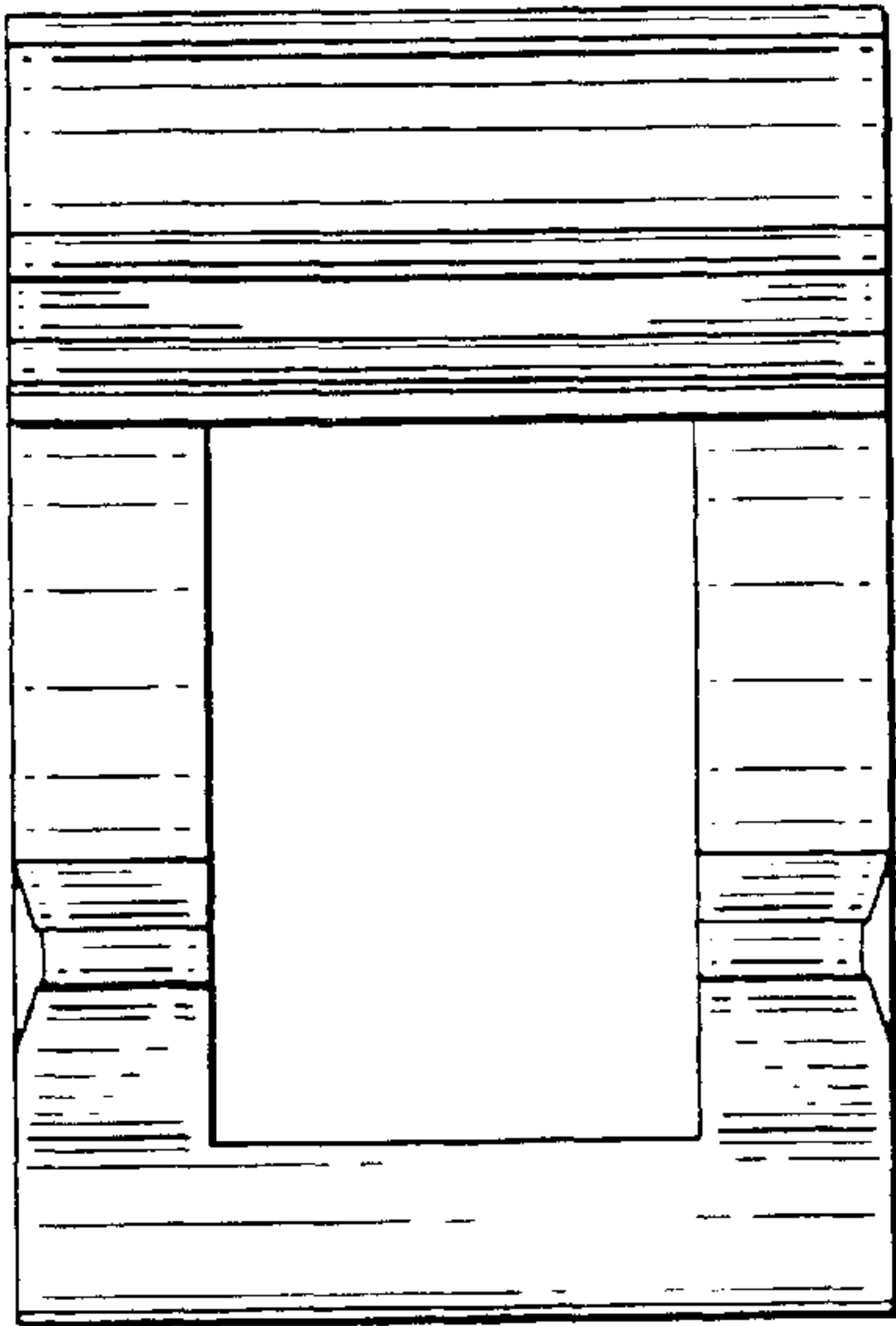


FIG. 3

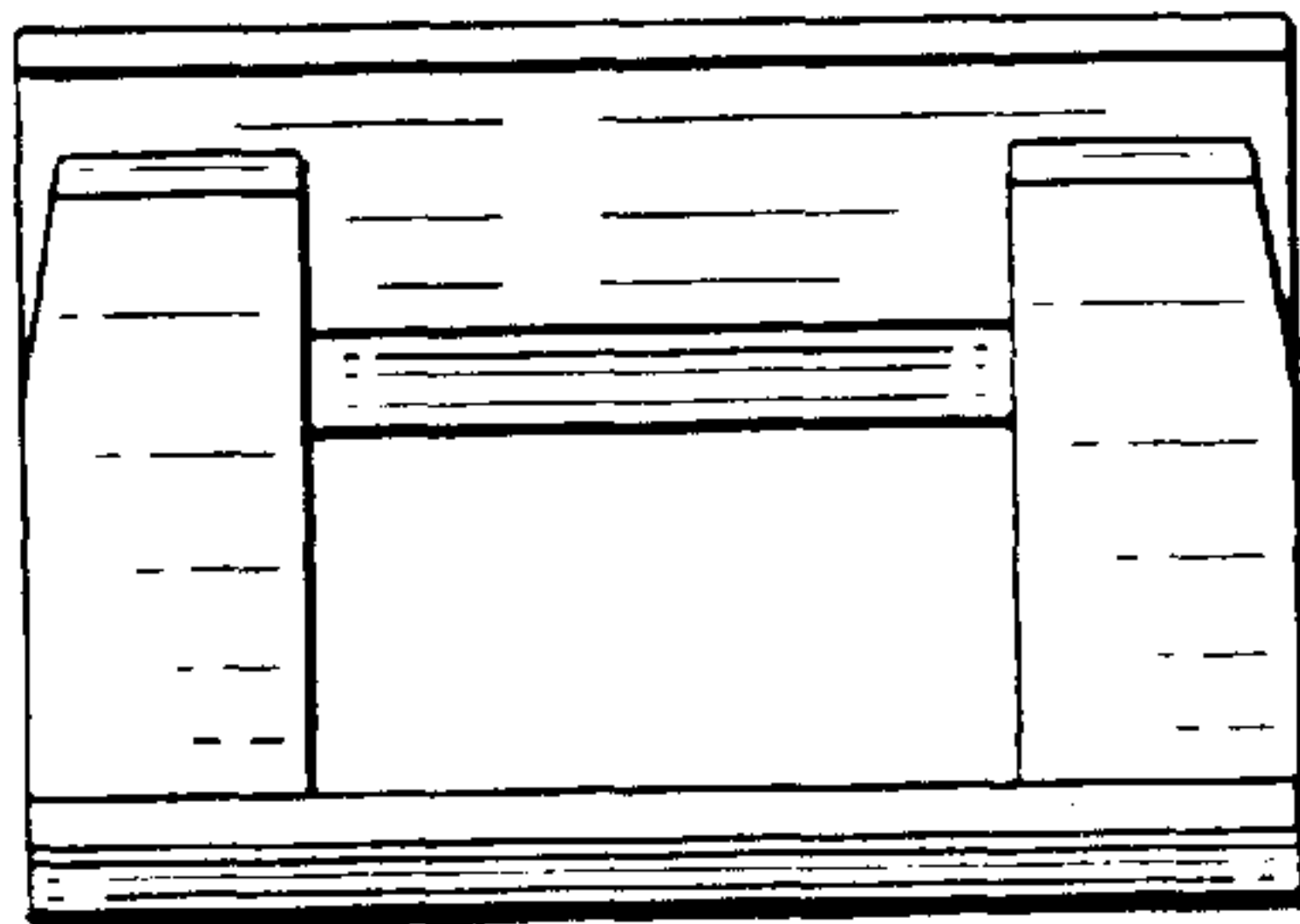


FIG. 4

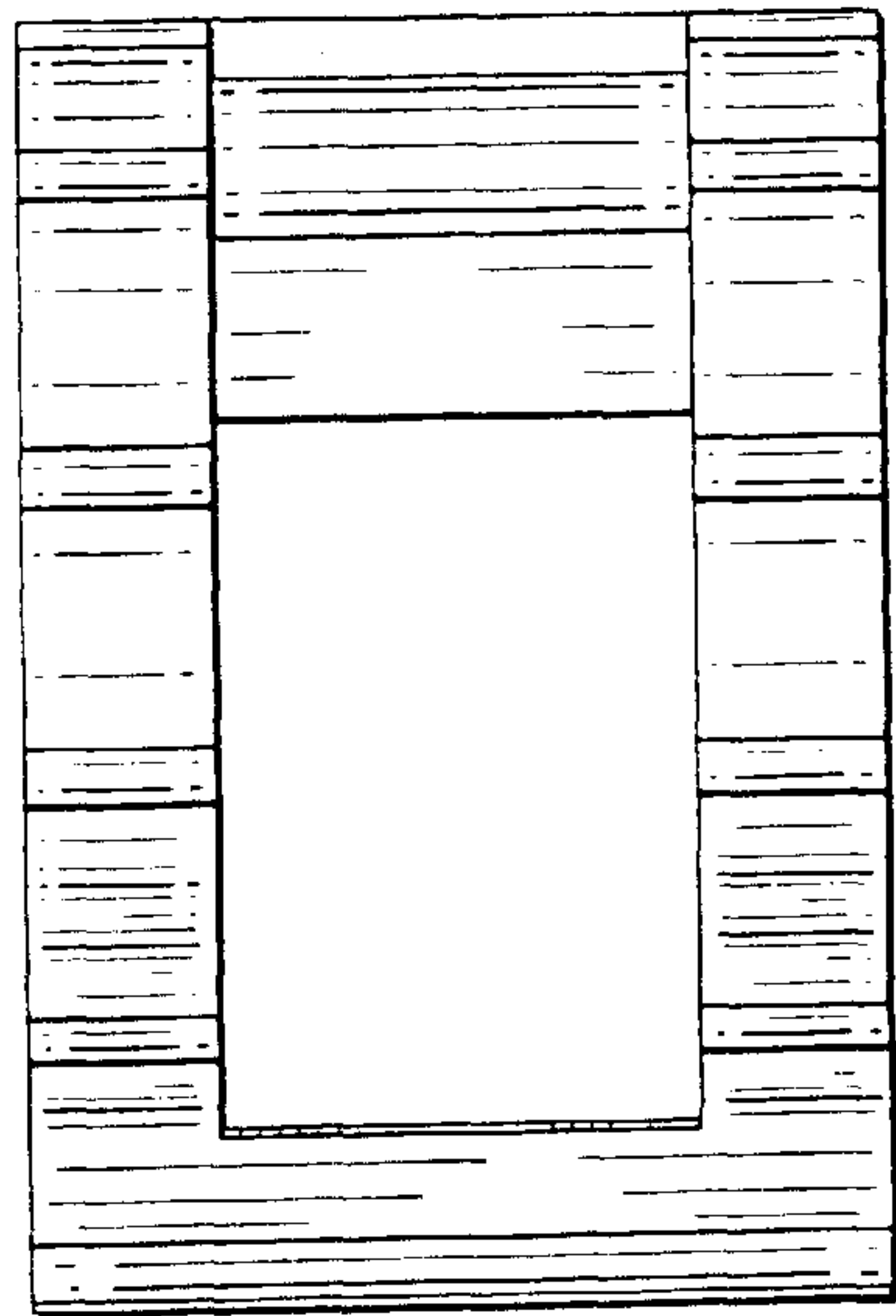


FIG. 6