



US00D453672S

(12) **United States Design Patent**
McCoy

(10) **Patent No.:** **US D453,672 S**

(45) **Date of Patent:** **** Feb. 19, 2002**

(54) **SANDING AND CLEANING DEVICE FOR DRYWALL BULLNOSE CORNERBEADS**

(75) Inventor: **Charles D. McCoy**, Sarasota, FL (US)

(73) Assignee: **Pro-Line, Inc.**, Sarasota, FL (US)

(**) Term: **14 Years**

(21) Appl. No.: **29/132,922**

(22) Filed: **Nov. 17, 2000**

(51) **LOC (7) Cl.** **08-05**

(52) **U.S. Cl.** **D8/90; D8/45**

(58) **Field of Search** **D8/14, 45, 90;**
D32/52, 46; 15/235.7, 235.4; 451/523,
524

5,131,193 A	7/1992	Demers	
5,203,885 A	4/1993	Pastre et al.	
5,368,461 A	11/1994	Murphy	425/87
5,392,484 A	2/1995	Stoltzfus	15/235.7
5,544,384 A	8/1996	Forselius et al.	15/235.7
5,545,287 A	8/1996	Carlson	
D373,715 S *	9/1996	Fink	D8/90
5,638,570 A	6/1997	Gruner	15/235.7
5,690,547 A	11/1997	Holland, Jr. et al.	
5,759,090 A	6/1998	Kawate et al.	451/56
5,895,316 A	4/1999	Williams	451/524
D411,672 S	6/1999	McCoy	D32/46
5,947,803 A	9/1999	Gruner	451/524
5,954,571 A	9/1999	Case	451/524
5,993,306 A	11/1999	McCoy	451/523

FOREIGN PATENT DOCUMENTS

DE 3808138 A1 3/1988

* cited by examiner

Primary Examiner—Philip S. Hyder

(74) *Attorney, Agent, or Firm*—Charles J. Prescott

(56) **References Cited**

U.S. PATENT DOCUMENTS

1,927,574 A	9/1933	Parks	
2,402,069 A	6/1946	Minnick et al.	
3,648,418 A	3/1972	Churchich	
3,686,703 A *	8/1972	Ray	15/235.4
3,878,581 A	4/1975	Perna	15/235.7
4,230,441 A	10/1980	Heronema	425/87
4,330,964 A	5/1982	Martinez	
D278,790 S *	5/1985	Chaney et al.	D8/45
4,619,013 A	10/1986	Yon	15/235.8
4,669,970 A *	6/1987	Perry	425/458
D296,294 S *	6/1988	Neece	D8/45
4,823,515 A	4/1989	Blome	
4,878,317 A	11/1989	Ovens	
4,907,955 A	3/1990	Snipes	425/87
4,923,316 A	5/1990	Fattal	451/524
D310,012 S *	8/1990	Henke et al.	D8/90
D310,019 S *	8/1990	Watson	D8/90
4,946,360 A	8/1990	Brown	425/458
5,069,610 A	12/1991	Milburn	425/87

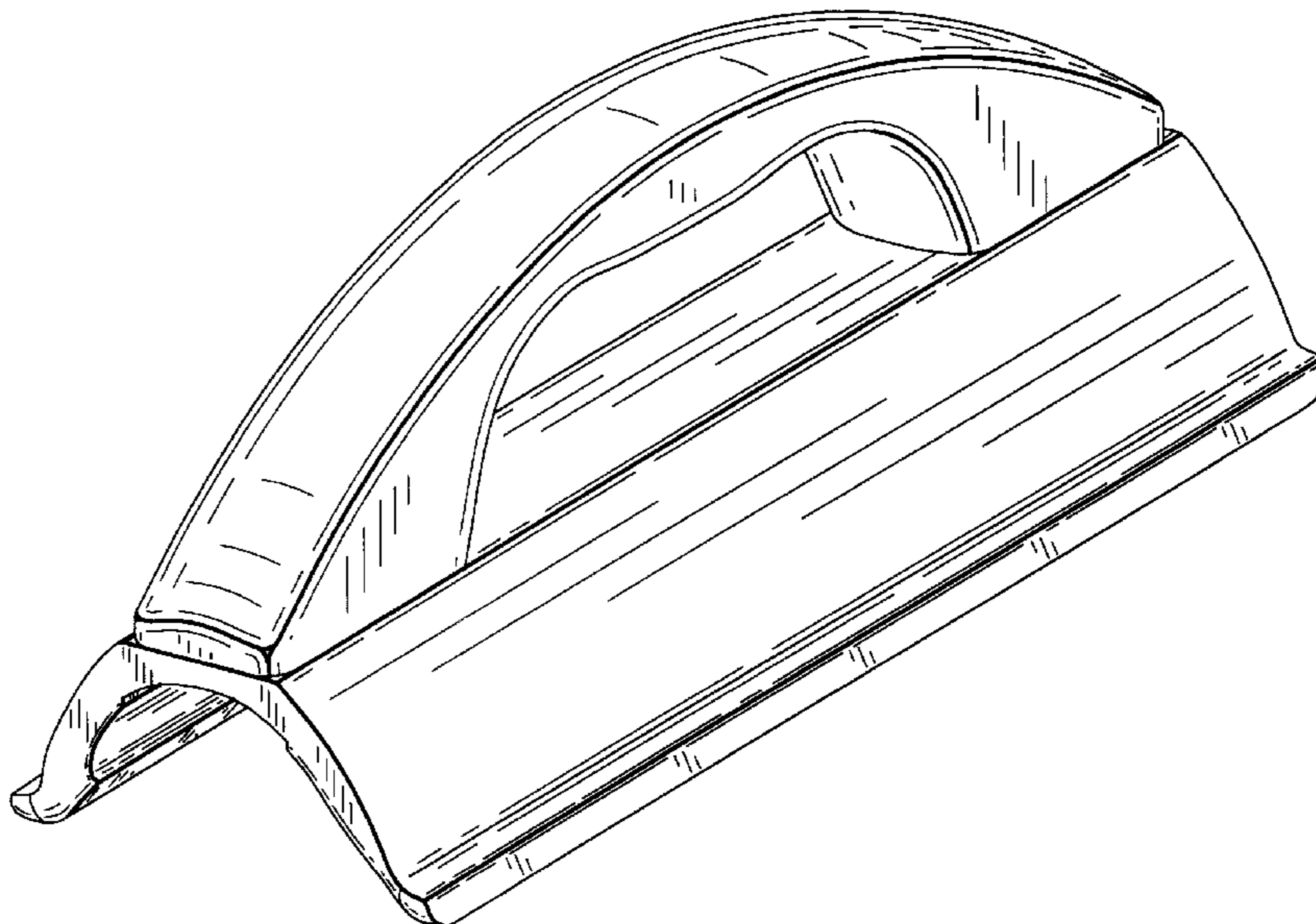
(57) **CLAIM**

The ornamental design for a sanding and cleaning device for drywall bullnose cornerbeads, as shown and described.

DESCRIPTION

FIG. 1 is a perspective view of my sanding and cleaning device for drywall bullnose cornerbeads;
FIG. 2 is a lower perspective view thereof;
FIG. 3 is a right side elevation view thereof, the left side elevation view being identical;
FIG. 4 is a right end elevation view thereof, the left end elevation view being identical;
FIG. 5 is a top plan view thereof; and,
FIG. 6 is a bottom view thereof.

1 Claim, 4 Drawing Sheets



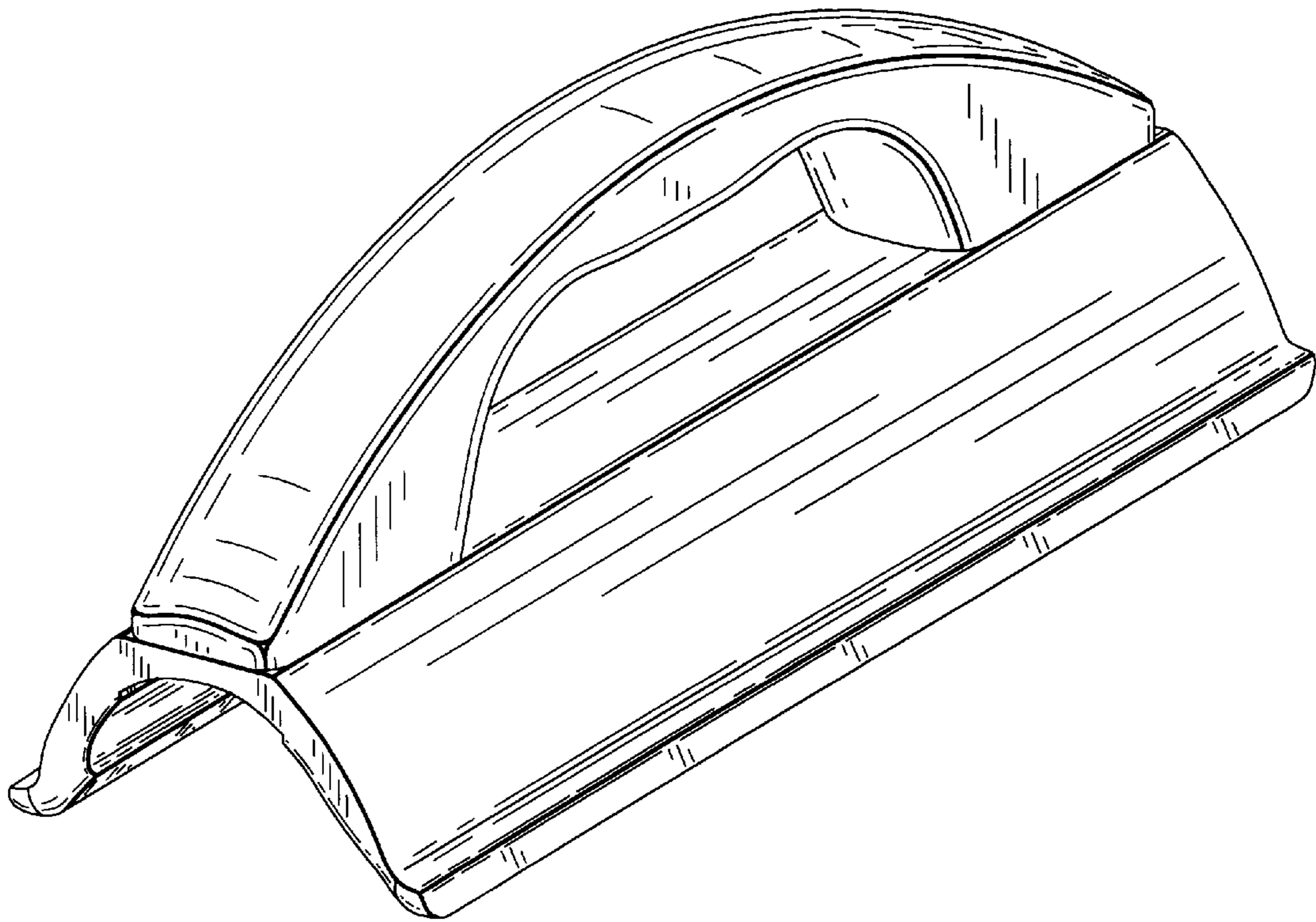


FIG. 1

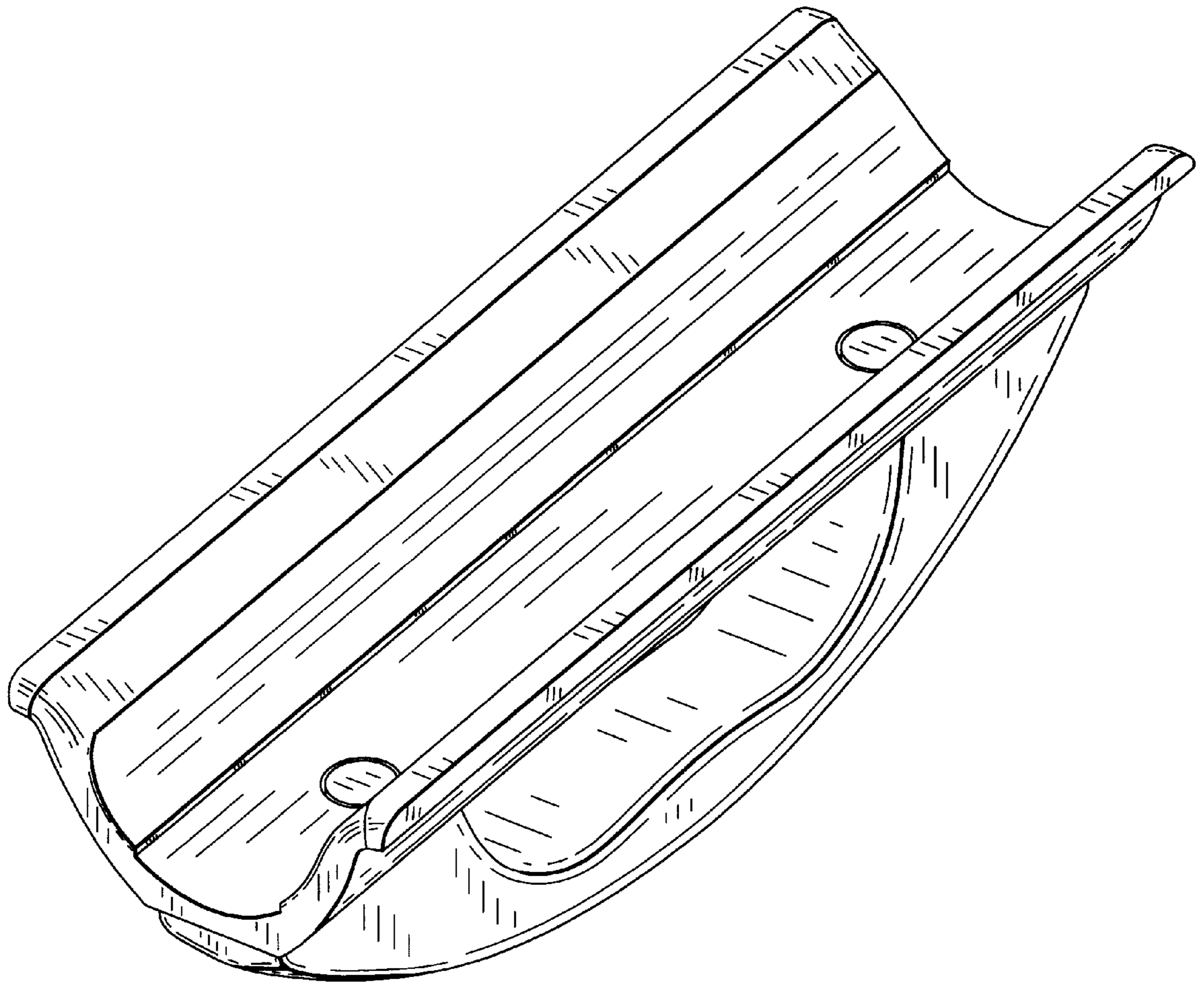


FIG. 2

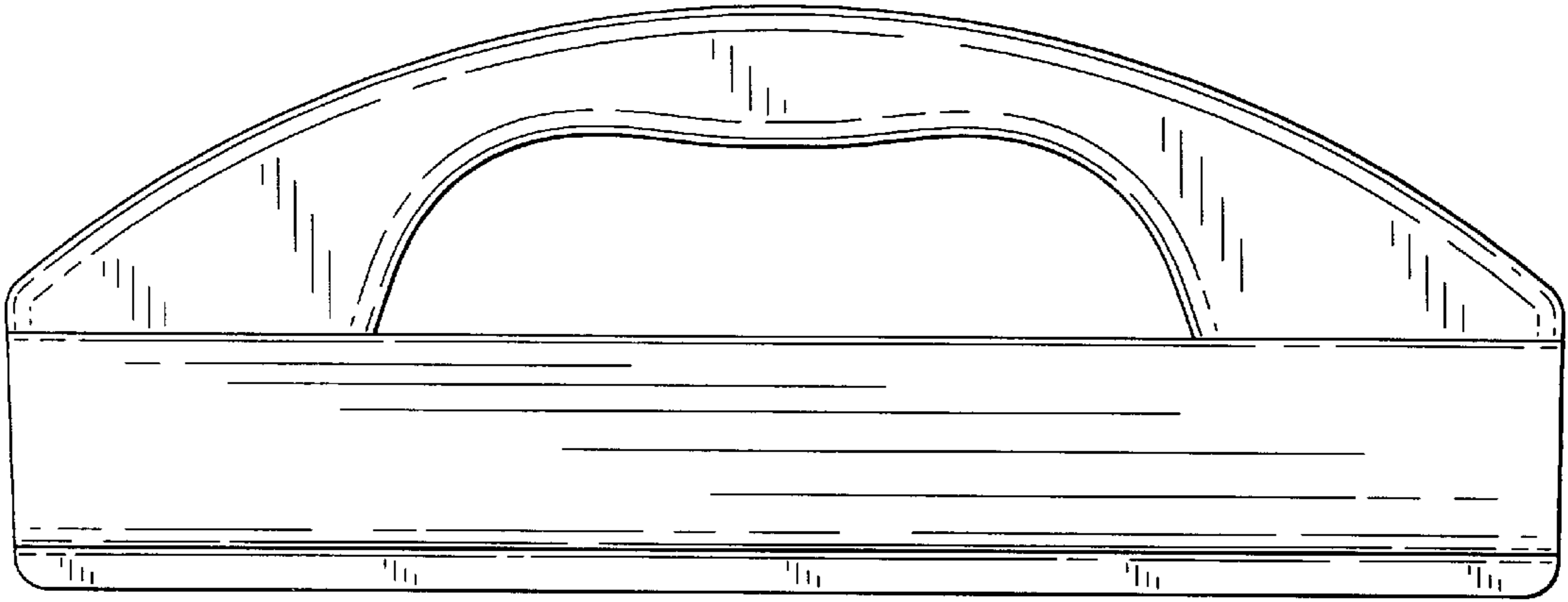


FIG. 3

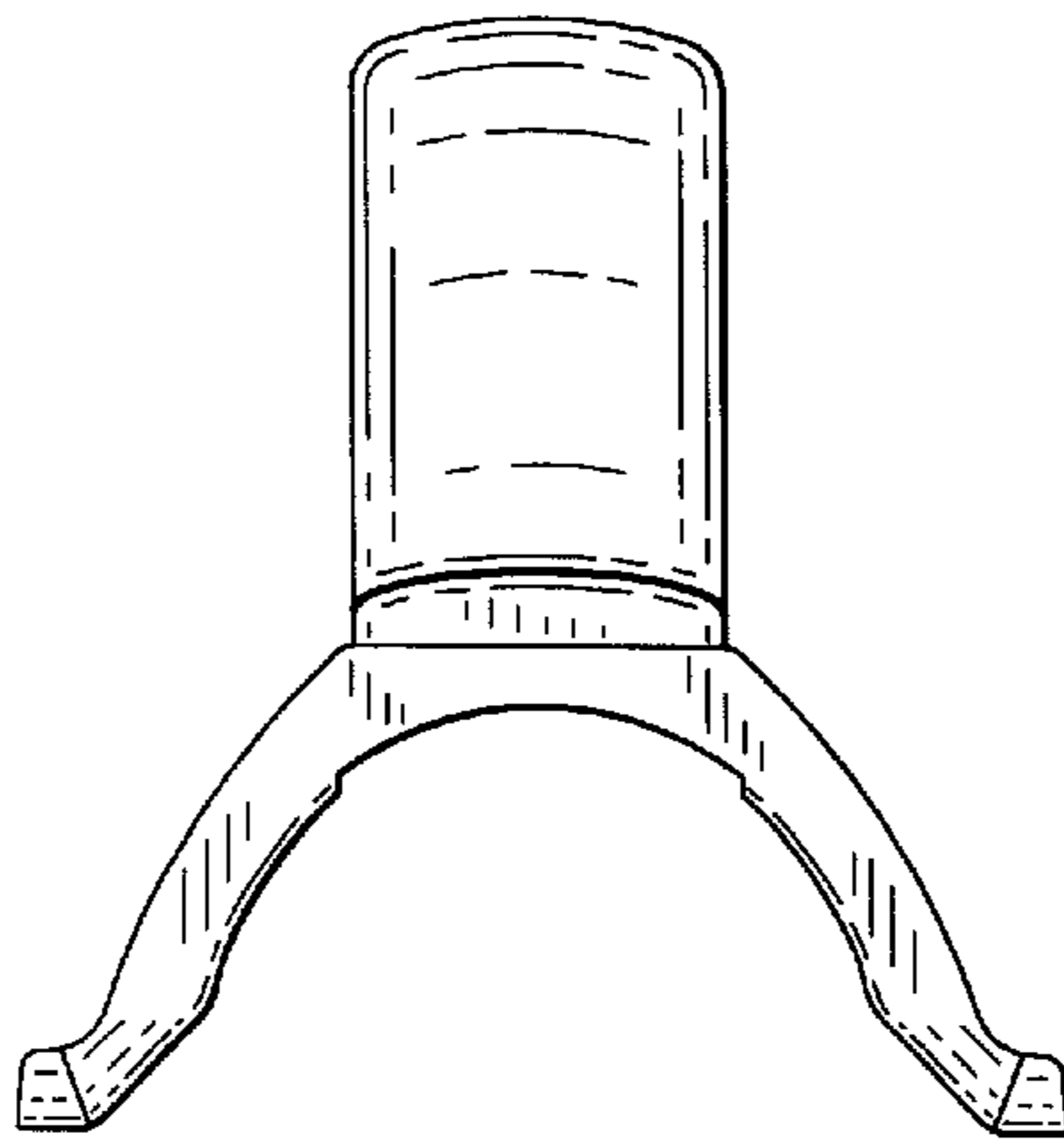


FIG. 4

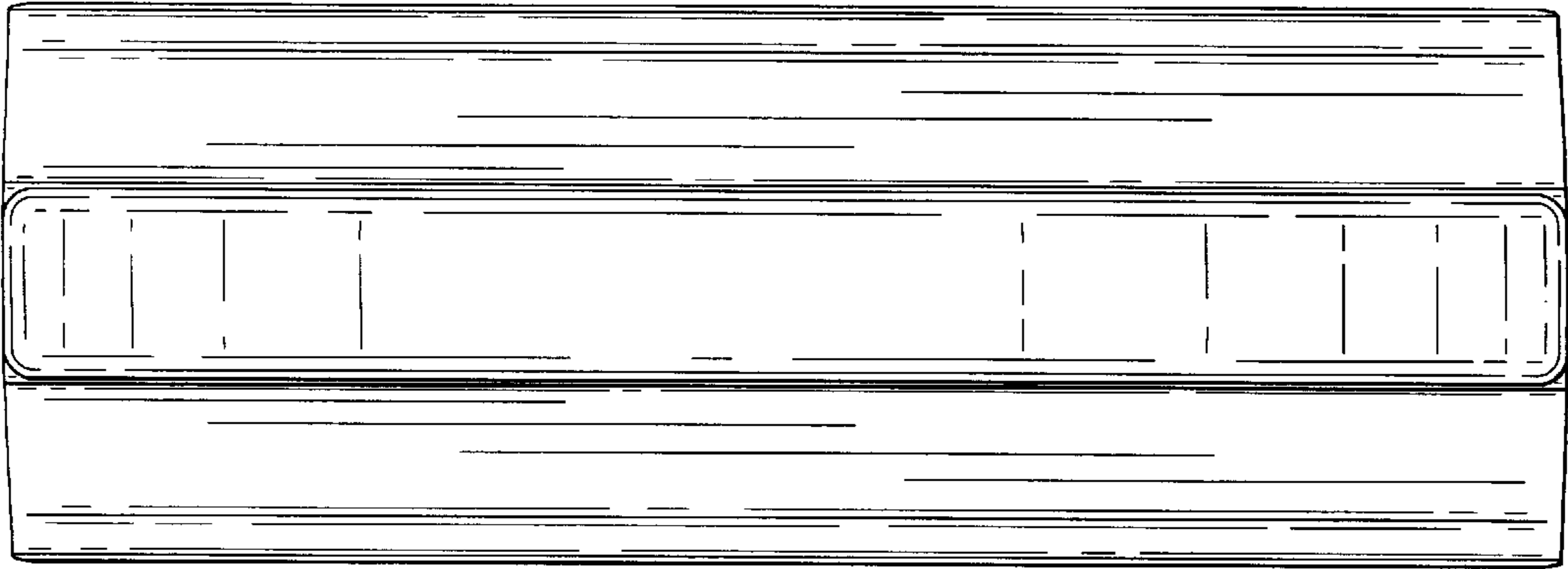


FIG. 5

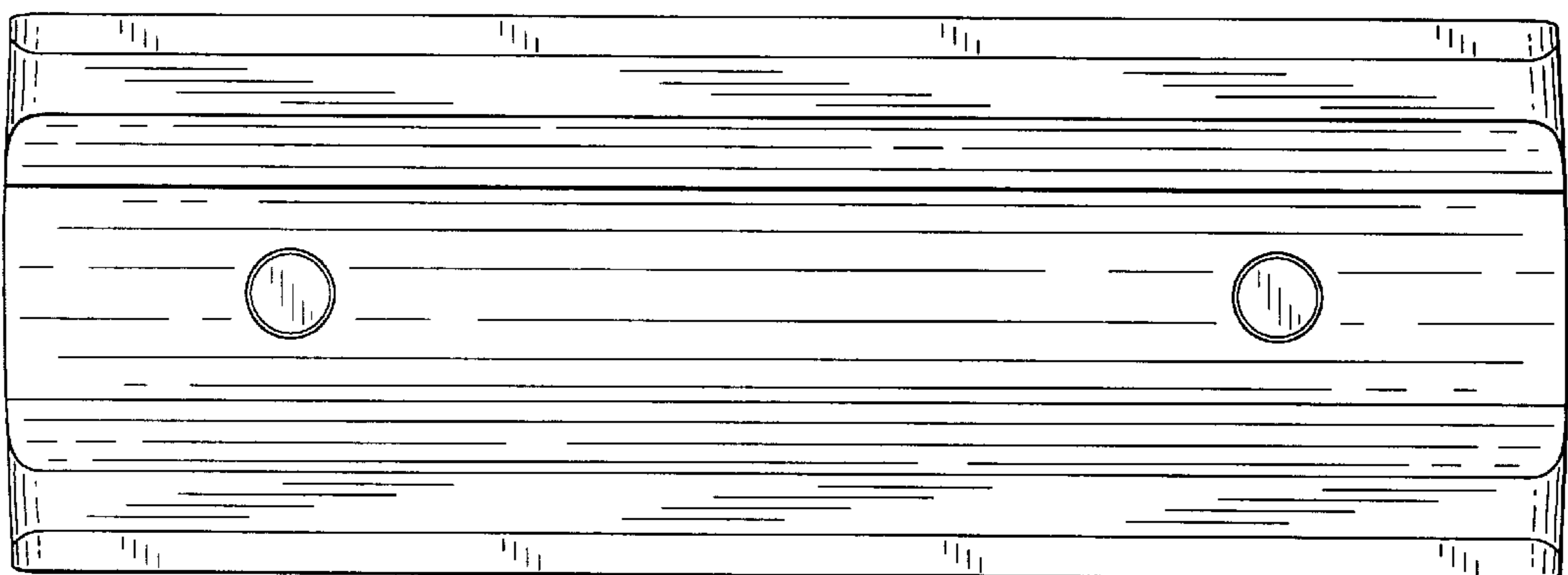


FIG. 6