



US00D453668S

(12) **United States Design Patent**
Pretzell

(10) **Patent No.:** **US D453,668 S**

(45) **Date of Patent:** **** Feb. 19, 2002**

(54) **ORBITAL GRINDER**

(75) Inventor: **Peter Pretzell**, Bochum (DE)

(73) Assignee: **Lidl Stiftung & Co KG** (DE)

(**) Term: **14 Years**

(21) Appl. No.: **29/122,101**

(22) Filed: **Apr. 19, 2000**

(30) **Foreign Application Priority Data**

Oct. 20, 1999 (DE) 499 09 945

(51) **LOC (7) Cl.** **08-01**

(52) **U.S. Cl.** **D8/62**

(58) **Field of Search** D8/61-70; 81/57.11,
81/54, 57.42; 173/170, 217, 169, 216, 213,
164; 451/357-359, 344, 453; 310/50; 144/154.5

(56) **References Cited**

U.S. PATENT DOCUMENTS

D164,904 S * 10/1951 Emmons D8/62
D201,755 S * 7/1965 Johnson D8/62
4,858,661 A * 8/1989 Bosten et al. 144/154.5
D306,125 S * 2/1990 Somers D8/62
4,967,516 A * 11/1990 Hoshino et al. 451/359
D314,125 S * 1/1991 Ogawa et al. D8/62

D315,281 S * 3/1991 Bosten et al. D8/64
D328,695 S * 8/1992 Hoshino et al. D8/69
D350,468 S * 9/1994 Chunn et al. D8/69
5,403,229 A * 4/1995 Seli 451/350
5,725,086 A * 3/1998 Cooper 200/302.3
5,772,498 A * 6/1998 Neubert et al. 451/357
D400,073 S * 10/1998 Hara D8/62
5,947,804 A * 9/1999 Fukinuki et al. 451/357

OTHER PUBLICATIONS

Black and Decker 1989/90 catalog, p. 35, #7448 1/3 sheet orbital sander.*

* cited by examiner

Primary Examiner—Jeffrey Asch

(74) *Attorney, Agent, or Firm*—Morgan & Finnegan, LLP

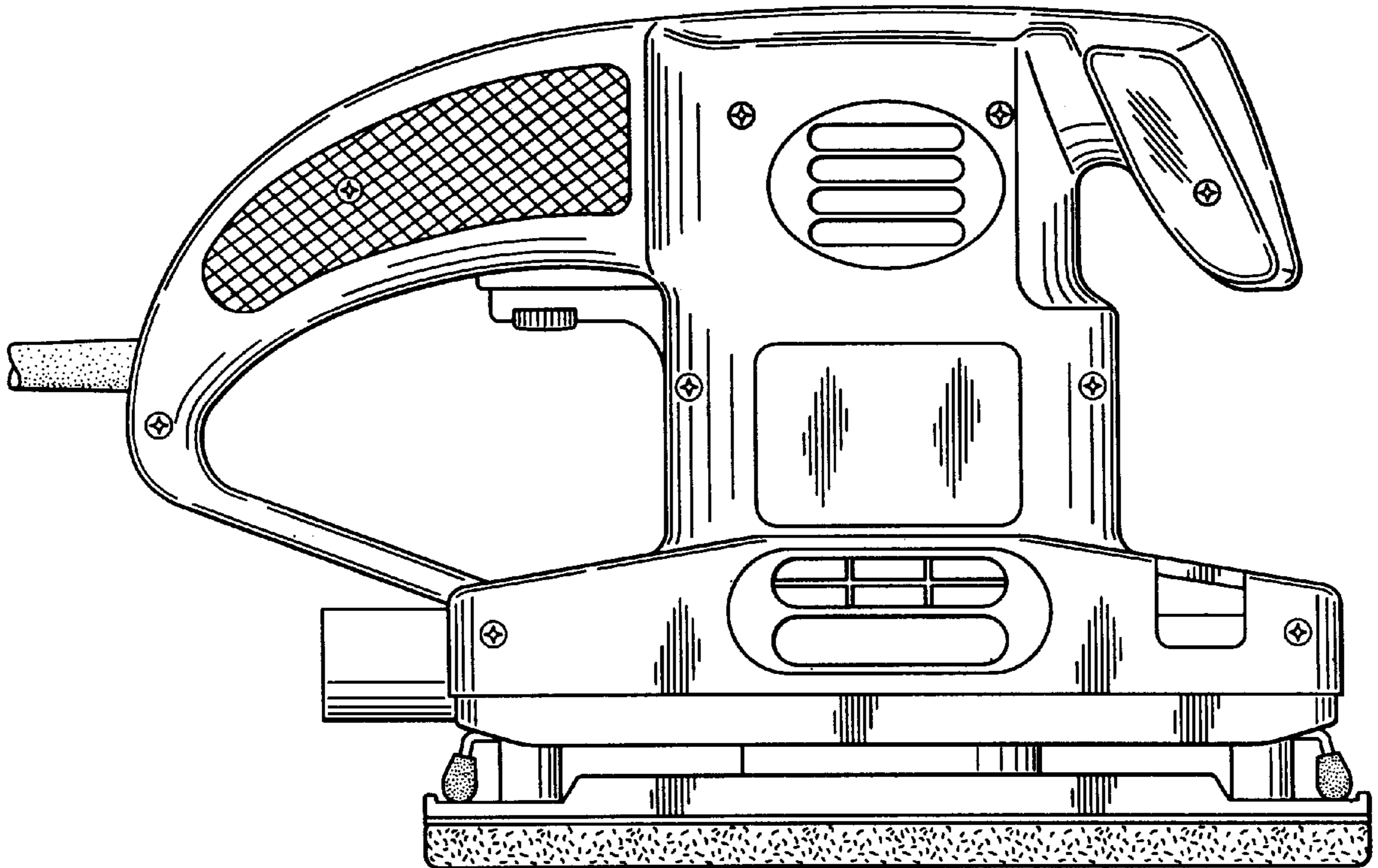
(57) **CLAIM**

The ornamental design for orbital grinder, as shown and described.

DESCRIPTION

FIG. 1 is a right view thereof;
FIG. 2 is a left view thereof;
FIG. 3 is a front view thereof;
FIG. 4 is a top view thereof; and,
FIG. 5 is a rear view thereof.

1 Claim, 5 Drawing Sheets



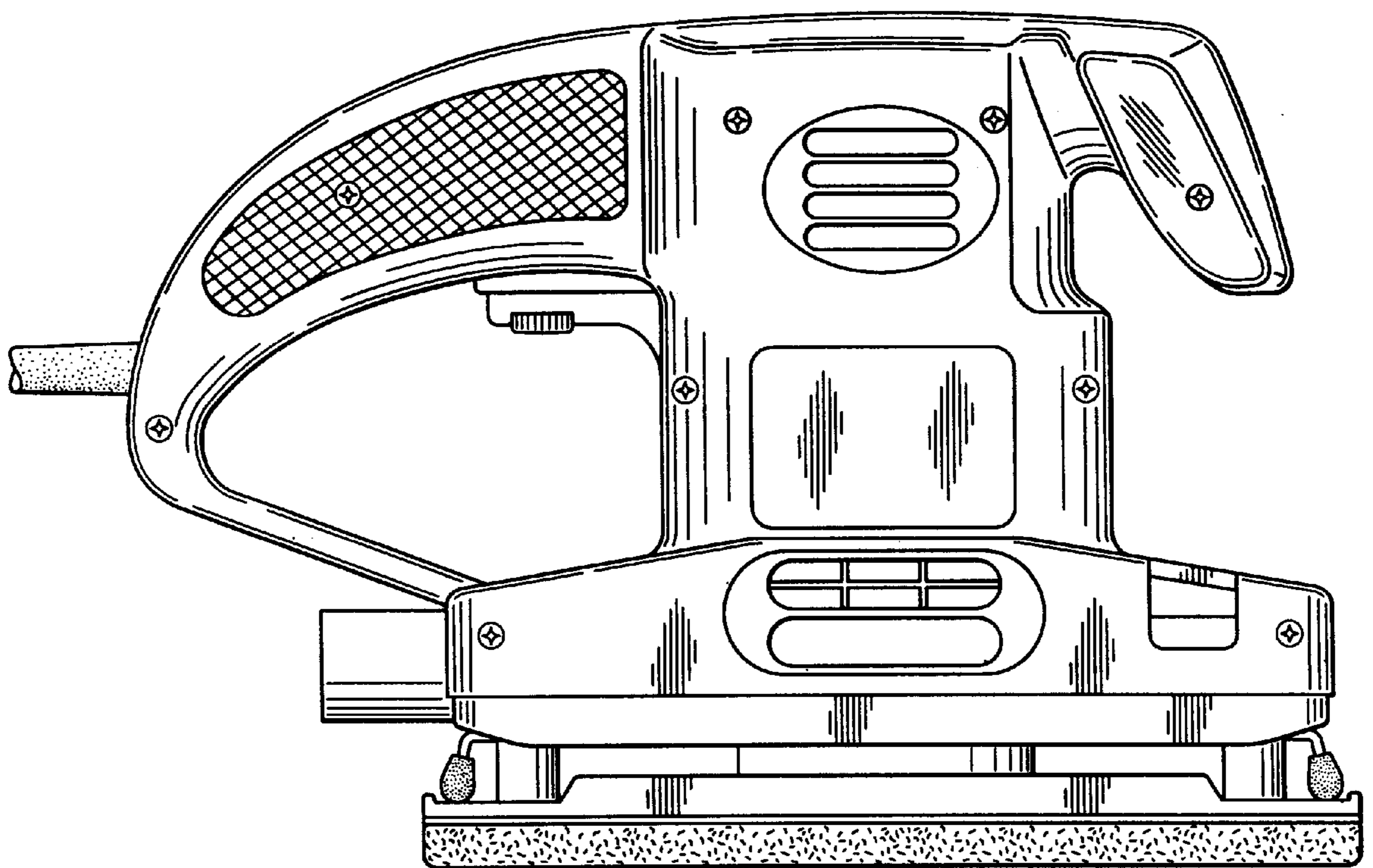


Fig. 1

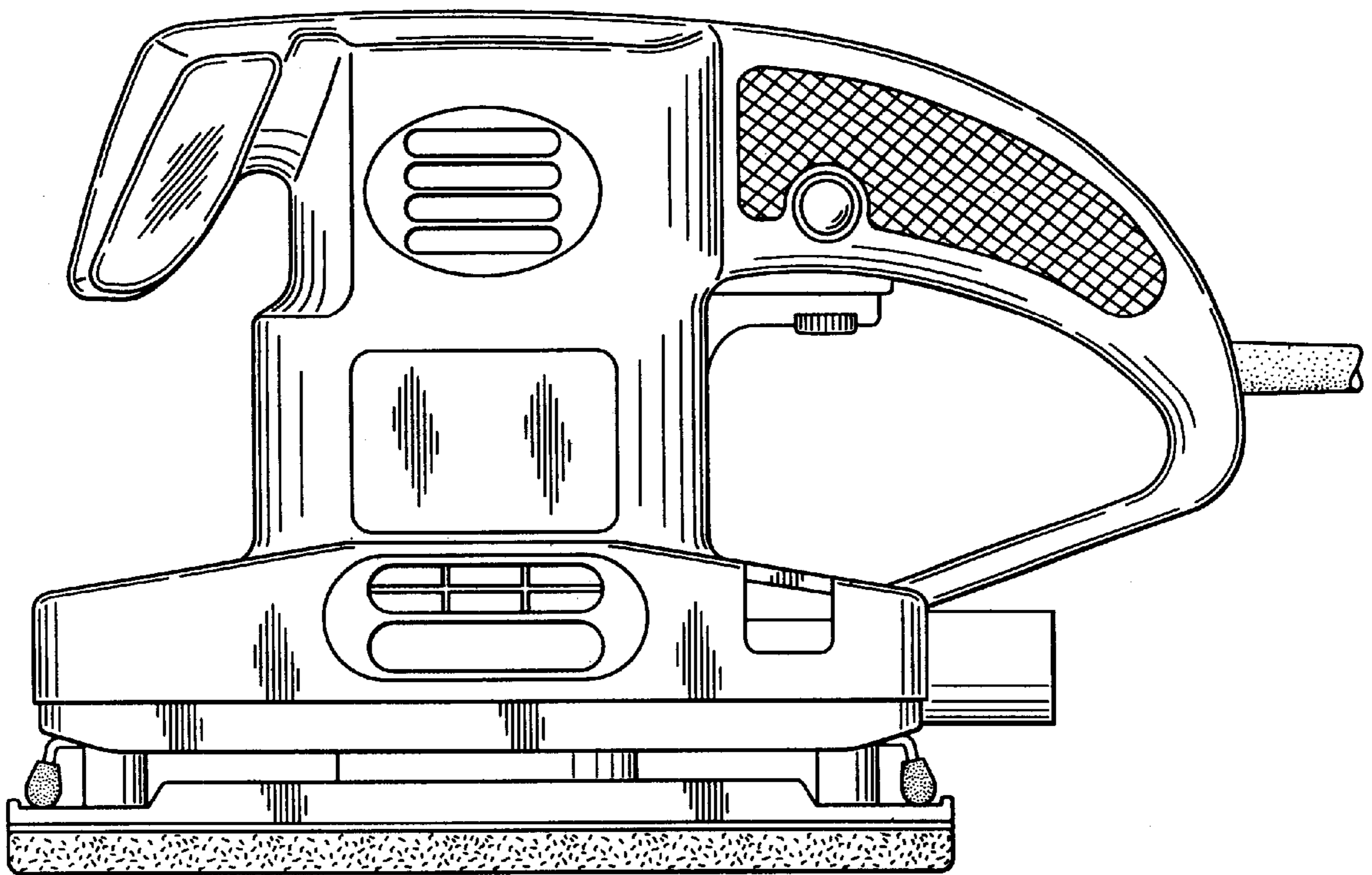


Fig. 2

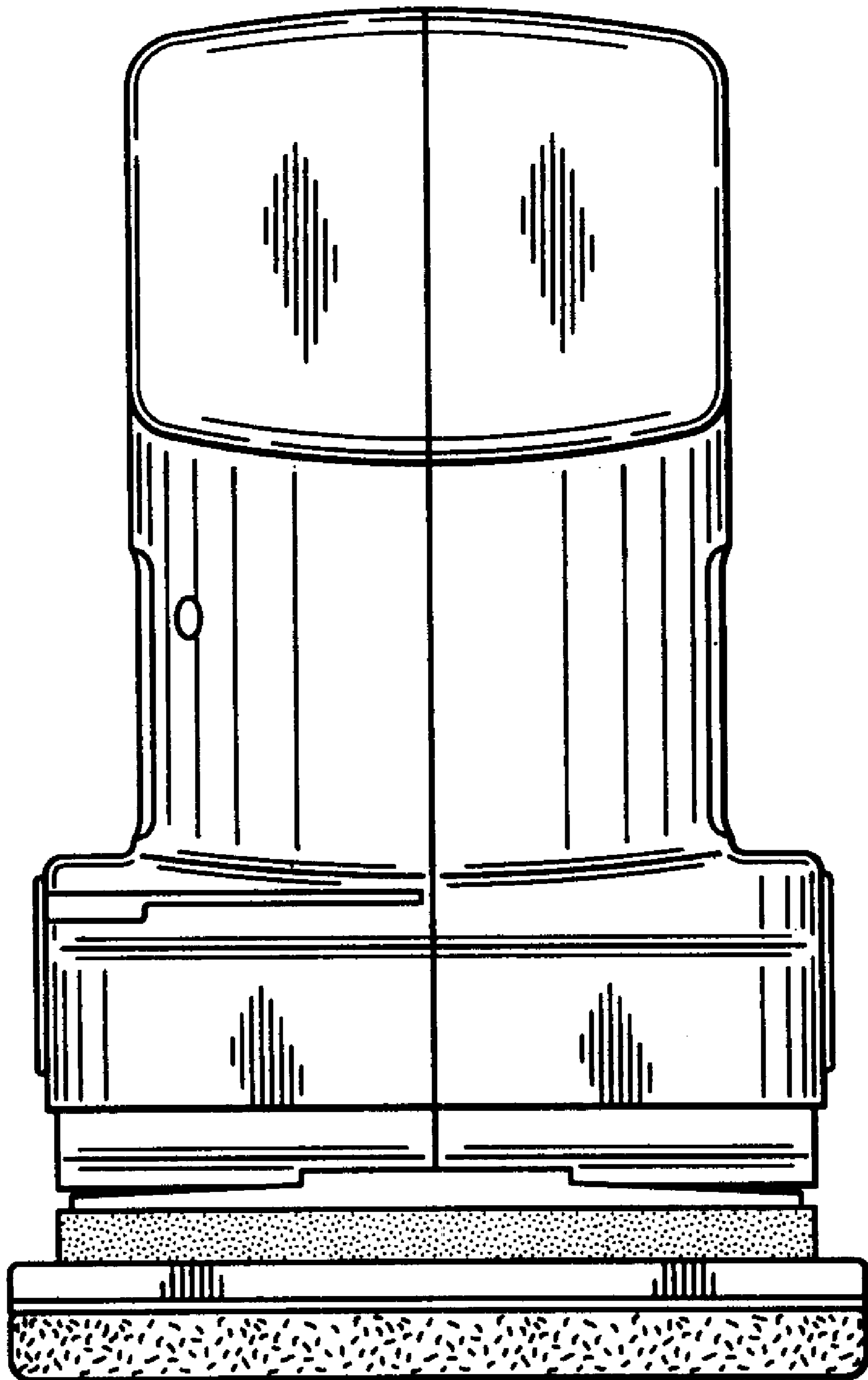


Fig. 3

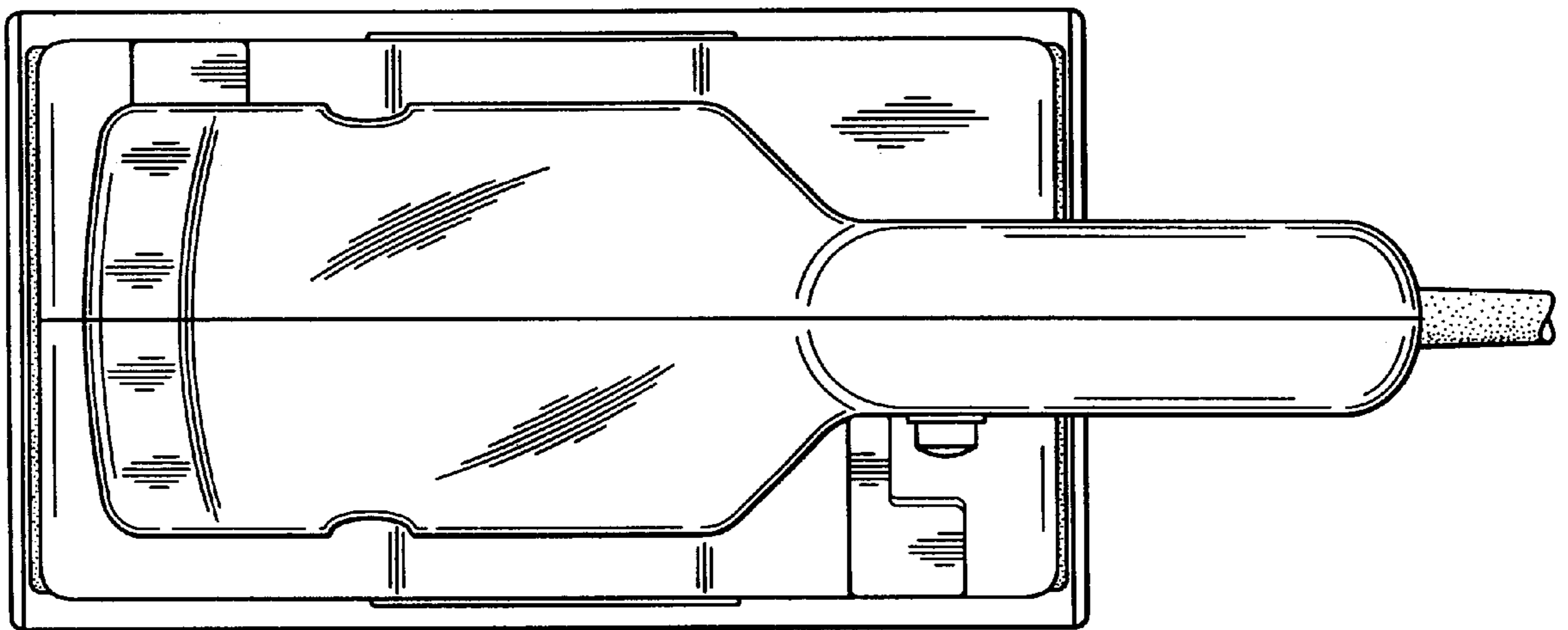


Fig. 4

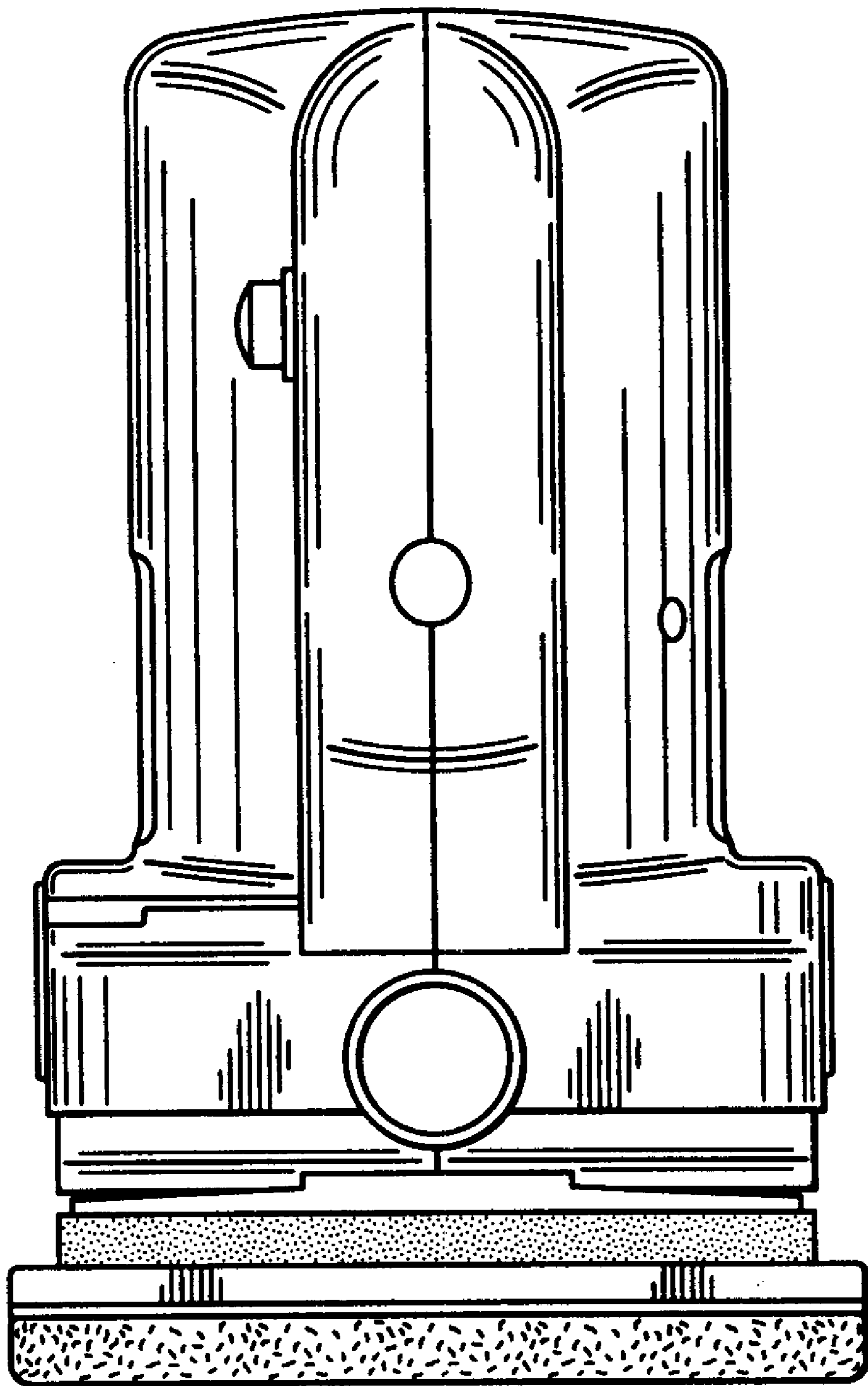


Fig. 5