



US00D453665S

(12) **United States Design Patent**  
**Loiacono**

(10) **Patent No.:** **US D453,665 S**

(45) **Date of Patent:** **\*\* Feb. 19, 2002**

(54) **BOTTLE SUPPORT WITH WEB**

(76) Inventor: **Anthony Loiacono**, 67 Stallion Cir.,  
Rochester, NY (US) 14626

(\*\*) Term: **14 Years**

(21) Appl. No.: **29/139,096**

(22) Filed: **Mar. 22, 2001**

(51) **LOC (7) Cl.** ..... **07-06**

(52) **U.S. Cl.** ..... **D7/619**

(58) **Field of Search** ..... D7/619; D6/465,  
D6/466; 211/13.1, 71.01, 74; 215/395;  
248/105, 133, 146, 148, 152, 312

(56) **References Cited**

**U.S. PATENT DOCUMENTS**

3,901,389 A	8/1975	Belokin, Jr.	
4,496,124 A	1/1985	Cole	
4,515,334 A *	5/1985	Horne	248/146
5,180,066 A *	1/1993	McArdle	211/74
D377,885 S	2/1997	Knapton	

D378,265 S \* 3/1997 Vicard et al. .... D7/619

\* cited by examiner

*Primary Examiner*—Terry A. Wallace

(74) *Attorney, Agent, or Firm*—Greenwald & Basch LLP;  
Duane C. Basch

(57) **CLAIM**

The ornamental design for a bottle support with web, as shown and described.

**DESCRIPTION**

FIG. 1 is a perspective view of a bottle support with web, showing my new design;

FIG. 2 is a front elevation view thereof;

FIG. 3 is a right-side elevation view thereof;

FIG. 4 is a rear elevation view thereof;

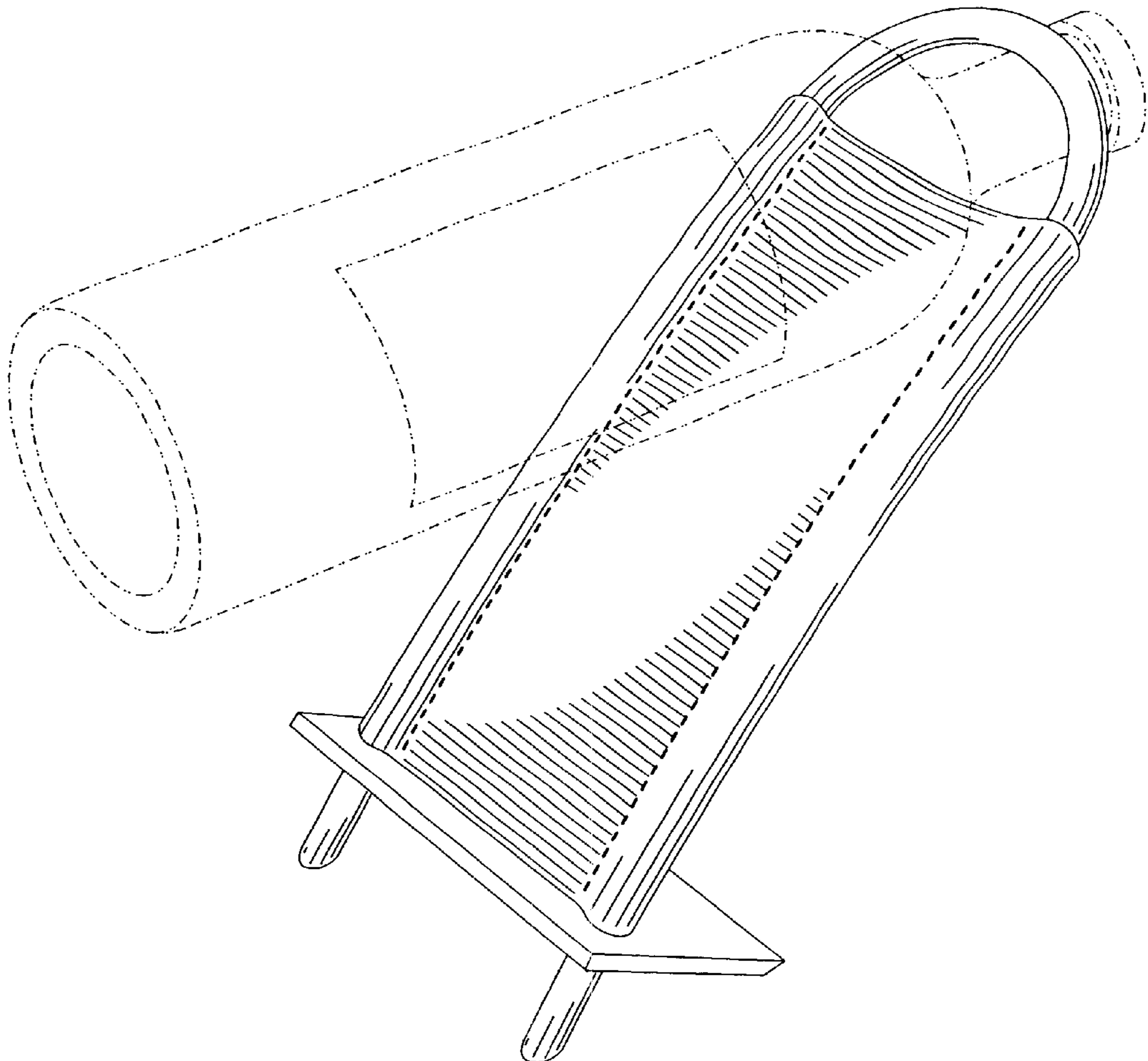
FIG. 5 is a left-side elevation view thereof;

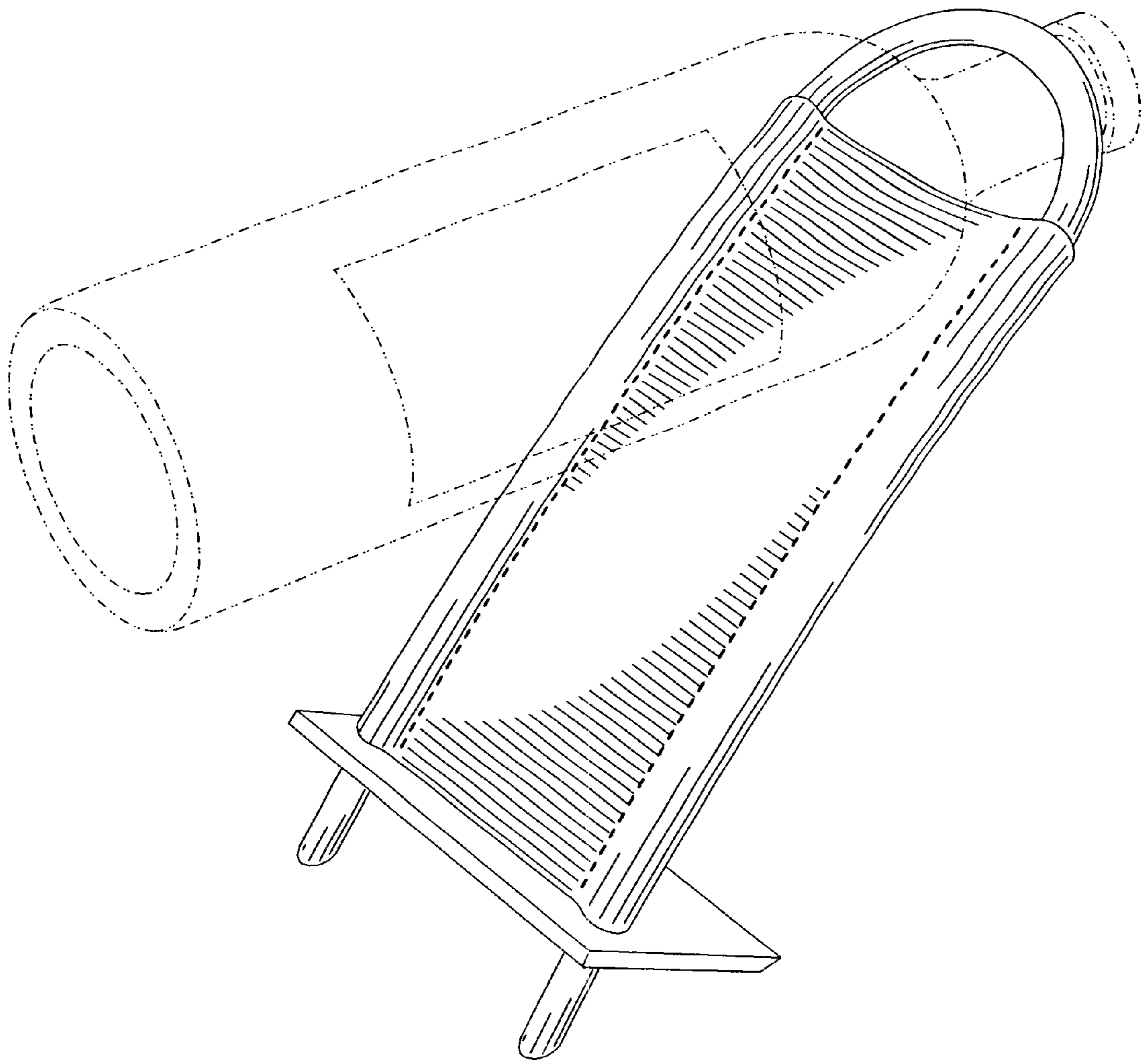
FIG. 6 is a top plan view thereof; and,

FIG. 7 is a bottom plan view thereof.

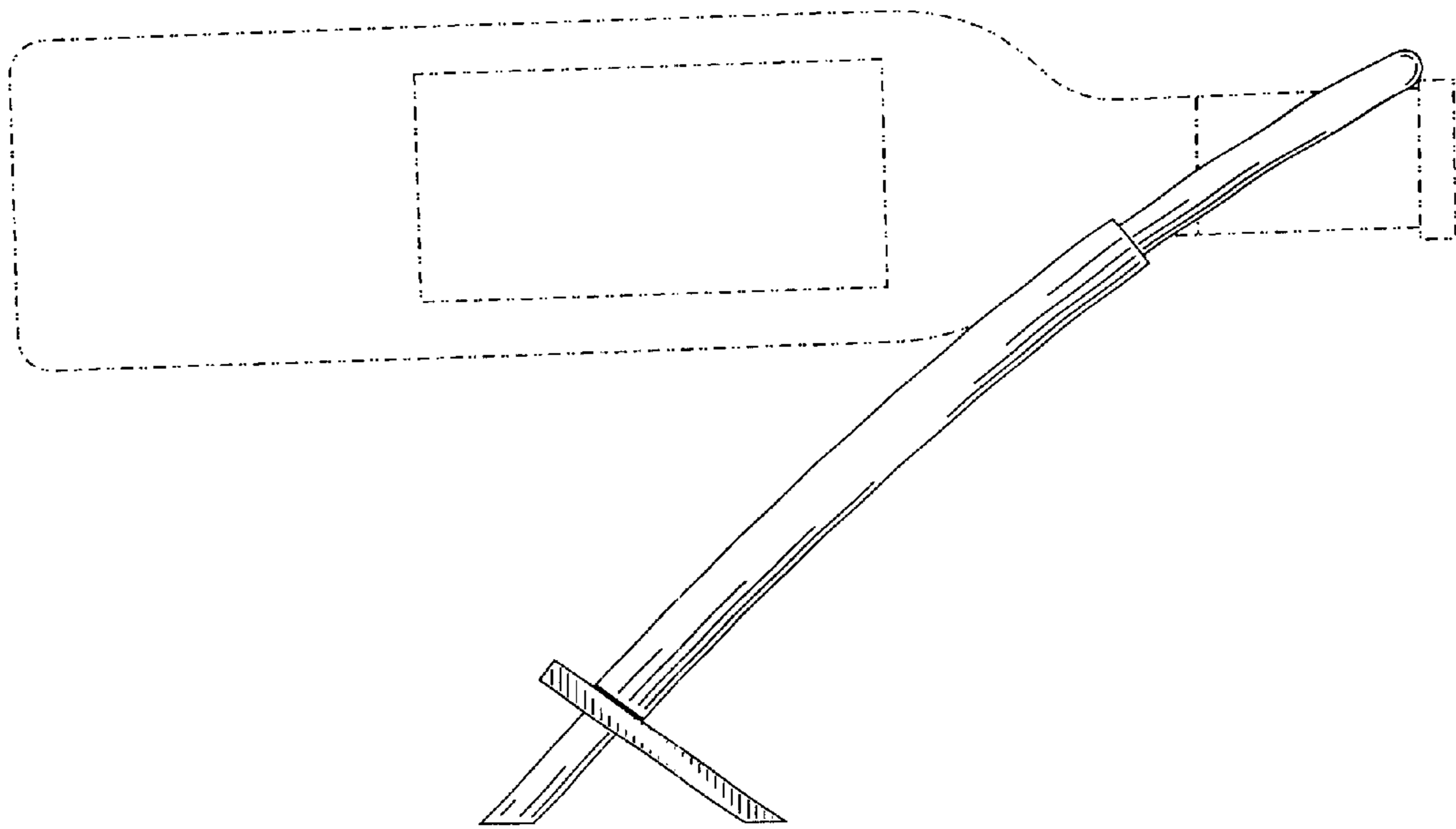
The broken line showing of environment in the figures is for illustrative purposes only and forms no part of the claimed design.

**1 Claim, 4 Drawing Sheets**

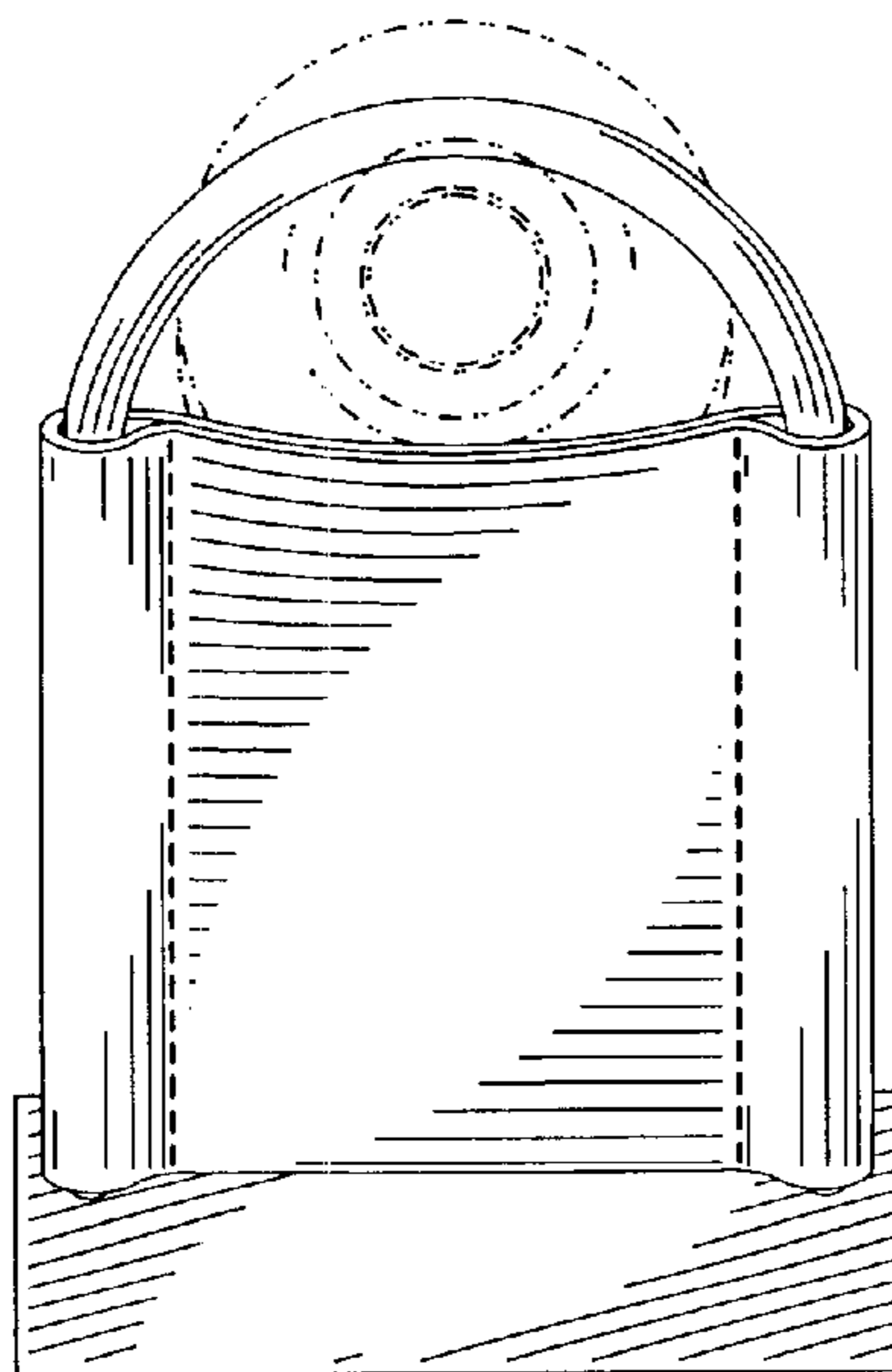




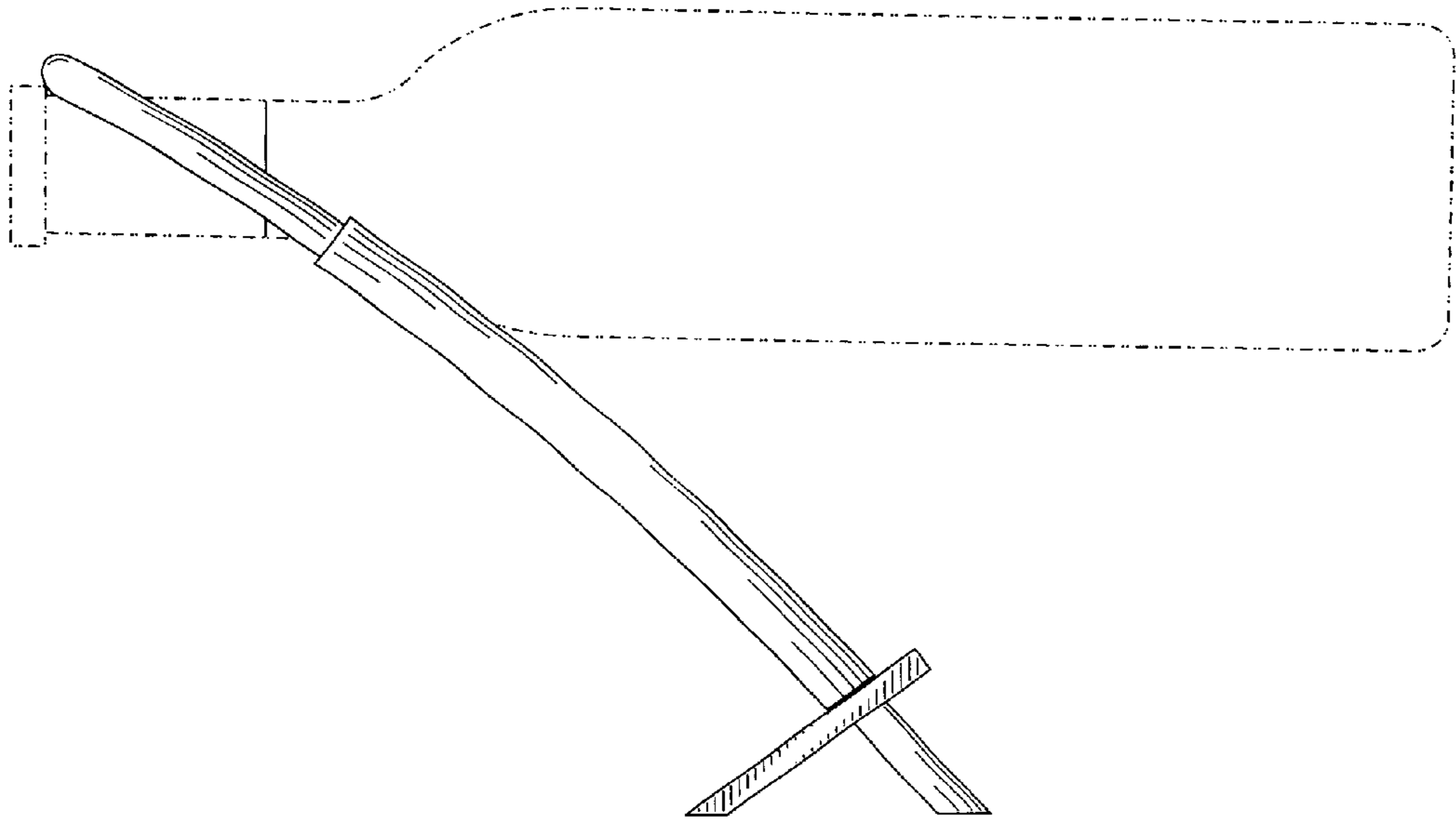
**FIG. 1**



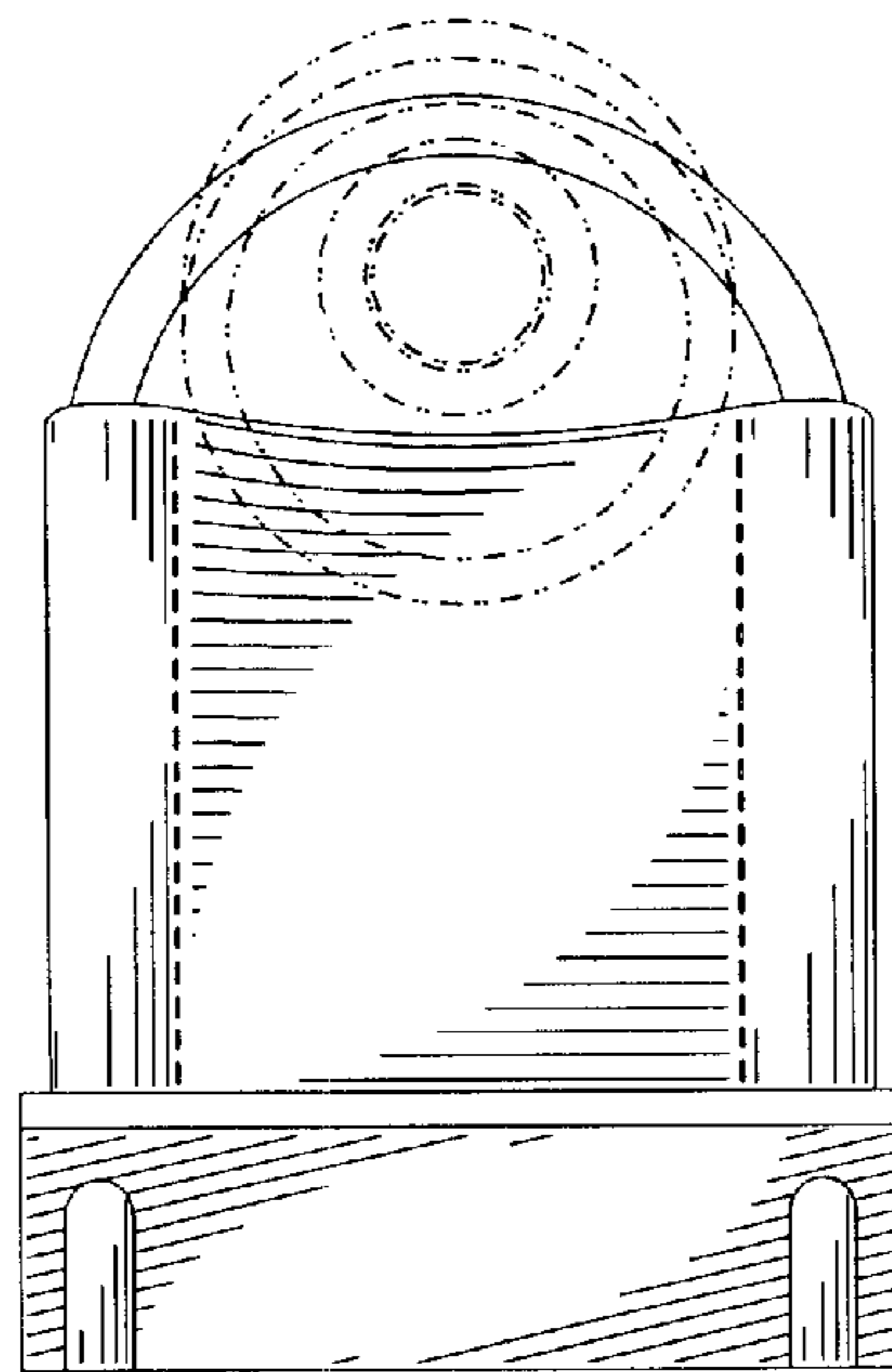
**FIG. 2**



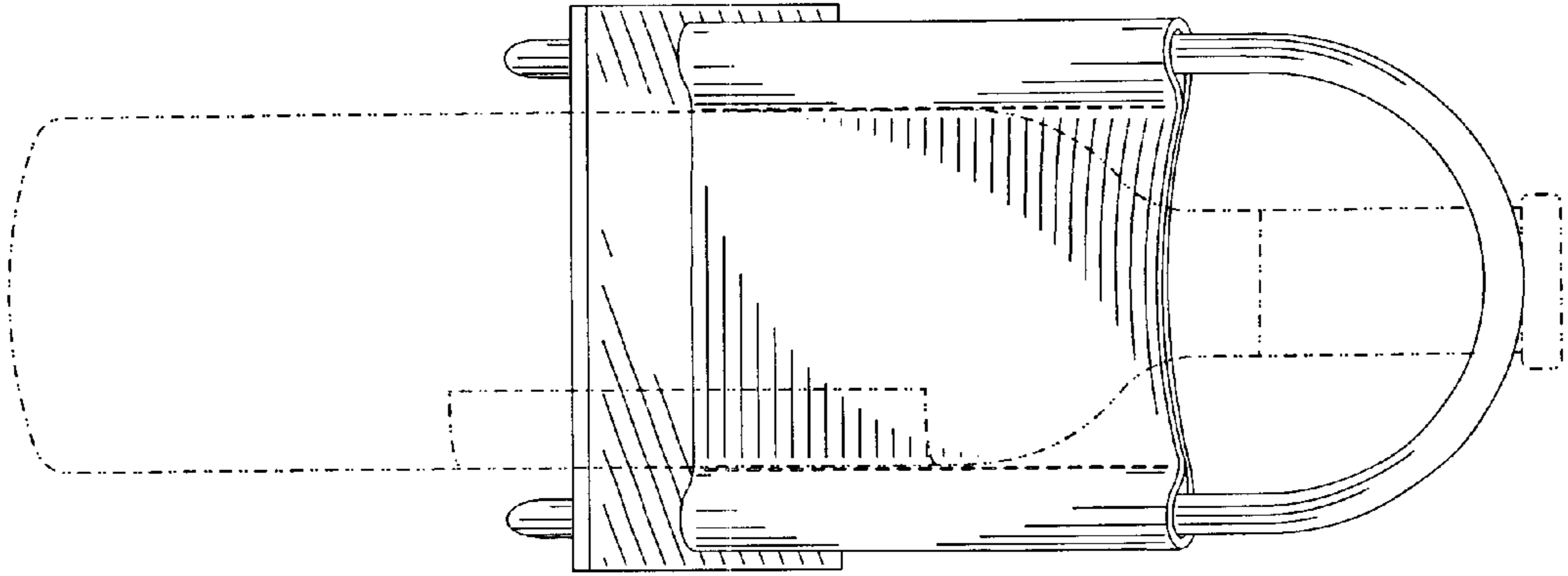
**FIG. 3**



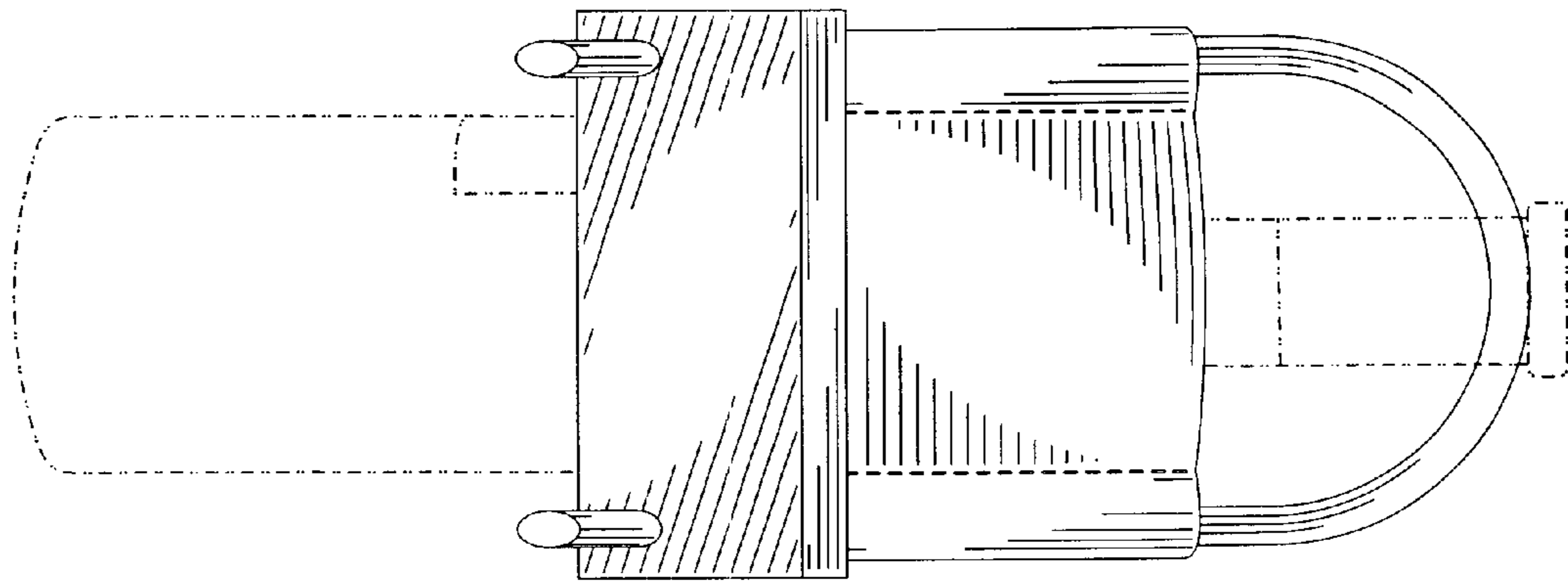
**FIG. 4**



**FIG. 5**



**FIG. 6**



**FIG. 7**