



US00D453663S

(12) **United States Design Patent**  
**Mori**

(10) **Patent No.:** **US D453,663 S**

(45) **Date of Patent:** **\*\* Feb. 19, 2002**

(54) **FOOD DISPENSING MACHINE**

D378,215 S \* 2/1997 Gander ..... D15/82  
5,893,485 A 4/1999 McGill  
5,918,767 A 7/1999 McGill

(75) Inventor: **Kanta Mori**, Fukaya (JP)

(73) Assignee: **Sanden Corporation** (JP)

\* cited by examiner

(\*\*) Term: **14 Years**

*Primary Examiner*—Terry A. Wallace

(74) *Attorney, Agent, or Firm*—Banner & Witcoff, Ltd.

(21) Appl. No.: **29/136,887**

(57) **CLAIM**

(22) Filed: **Feb. 9, 2001**

The ornamental design for a food dispensing machine, as shown and described.

(30) **Foreign Application Priority Data**

Aug. 9, 2000 (JP) ..... 2000-25551

**DESCRIPTION**

(51) **LOC (7) Cl.** ..... **07-06**

FIG. 1 is a first perspective view of a food dispensing machine showing my new design;

(52) **U.S. Cl.** ..... **D7/589**

FIG. 2 is a front elevational view thereof;

(58) **Field of Search** ..... D7/589, 311, 309,  
D7/368; D6/515; D15/82; 62/342, 343;  
222/105, 146.6, 181.1–181.3

FIG. 3 is a side elevational view thereof, the other side being a mirror image thereof;

FIG. 4 is a top plan view thereof;

(56) **References Cited**

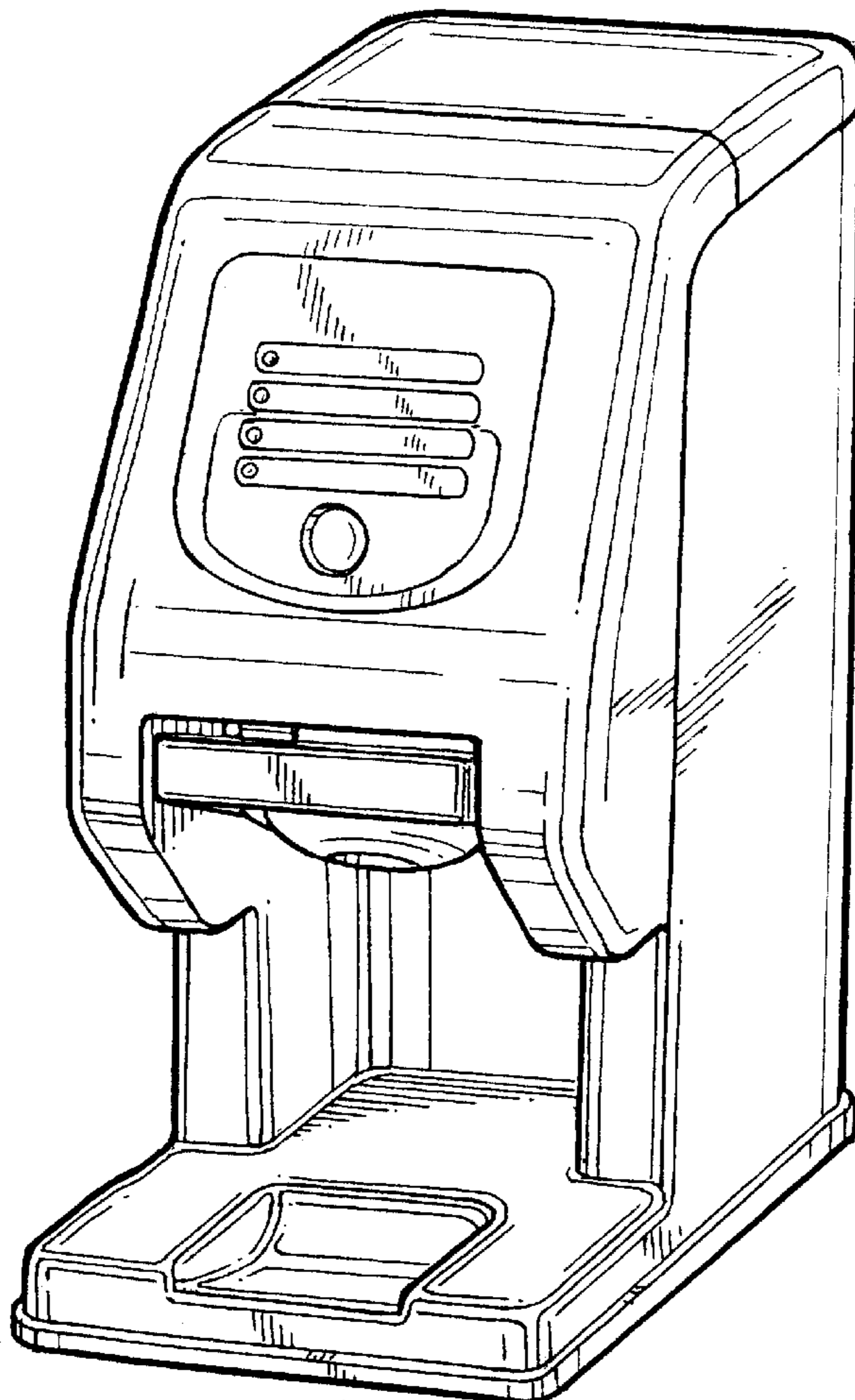
FIG. 5 is a rear elevational view thereof; and,

FIG. 6 is a bottom plan view thereof.

**U.S. PATENT DOCUMENTS**

D285,082 S \* 8/1986 Verkler ..... D15/82

**1 Claim, 3 Drawing Sheets**



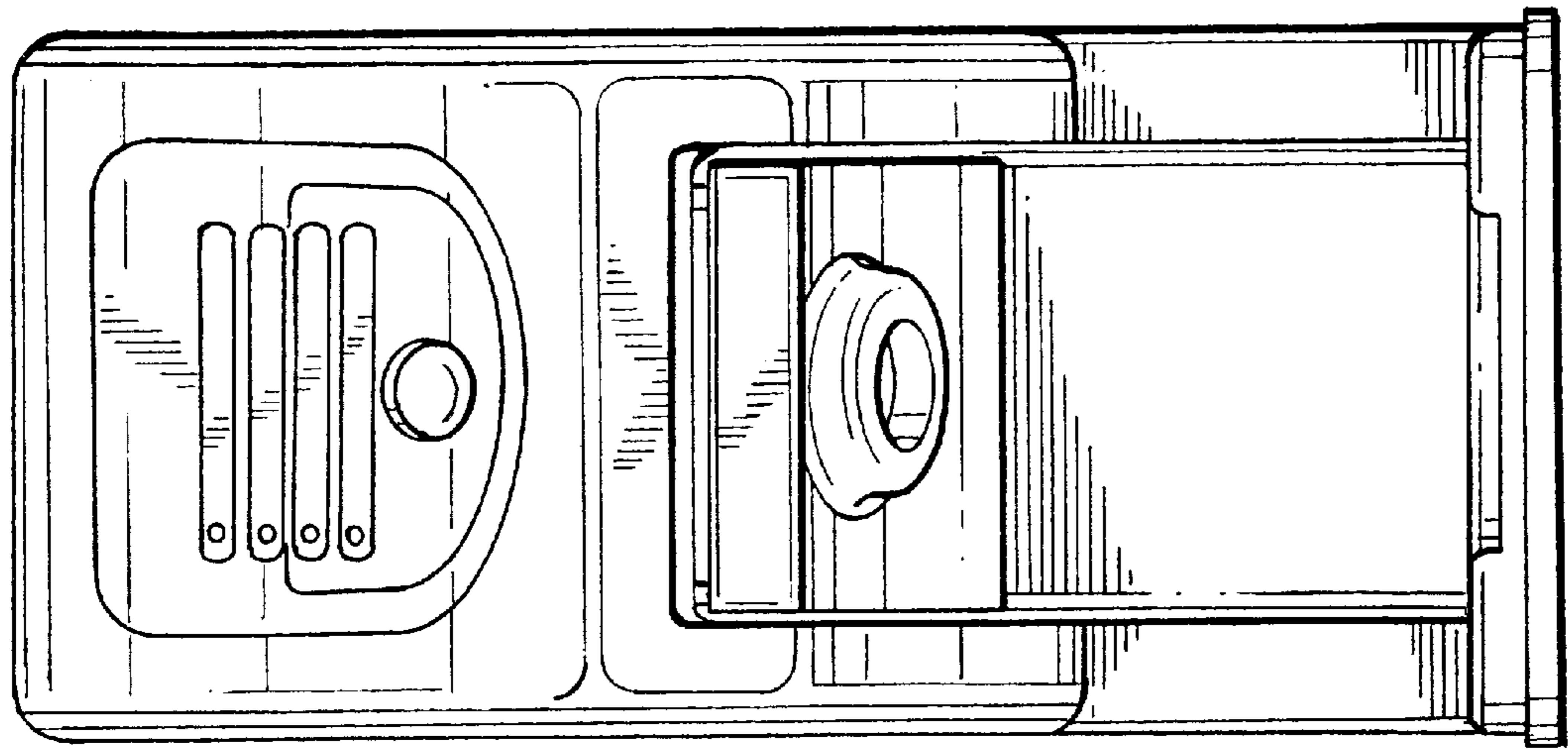


FIG. 2

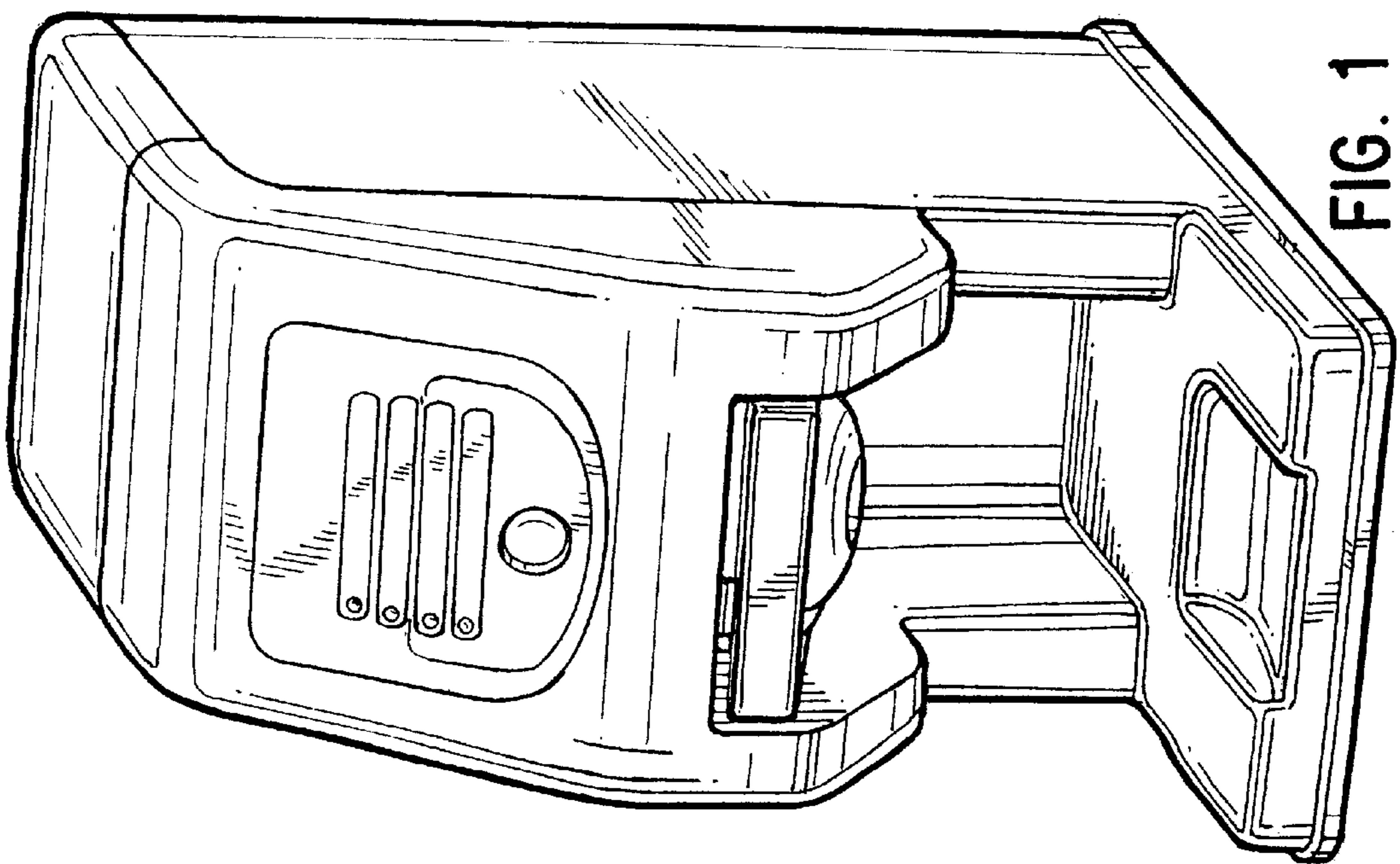


FIG. 1

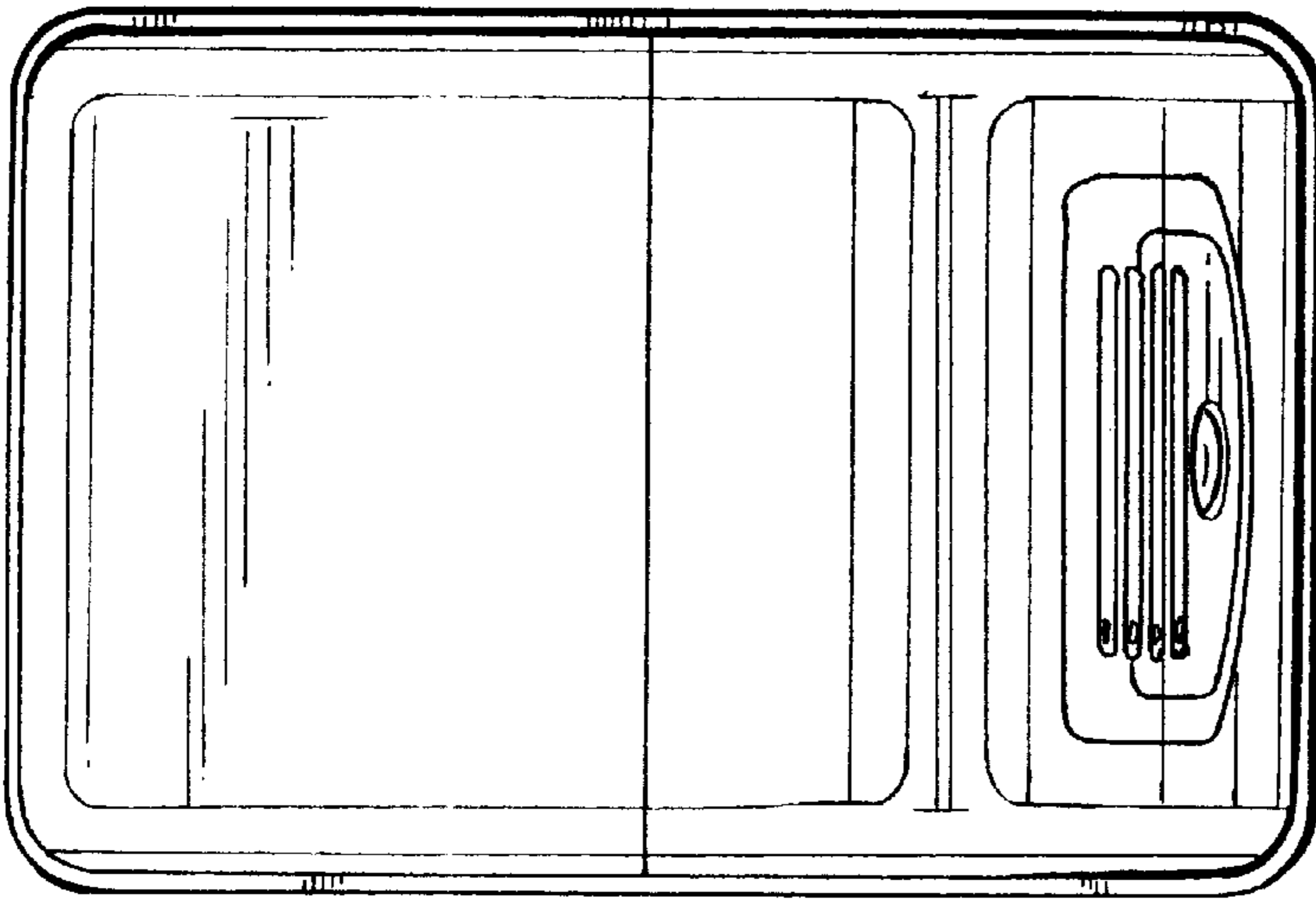


FIG. 4

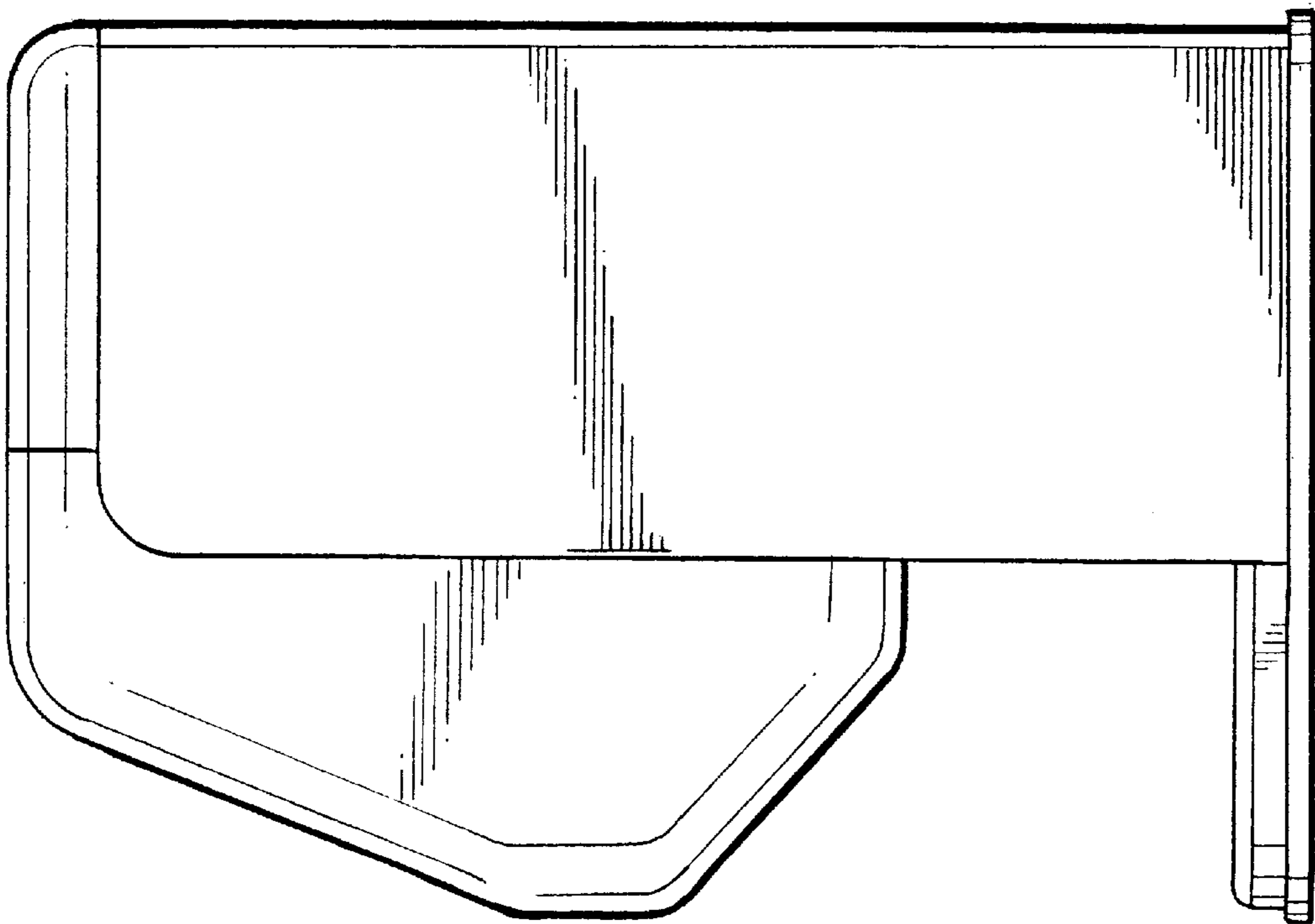


FIG. 3

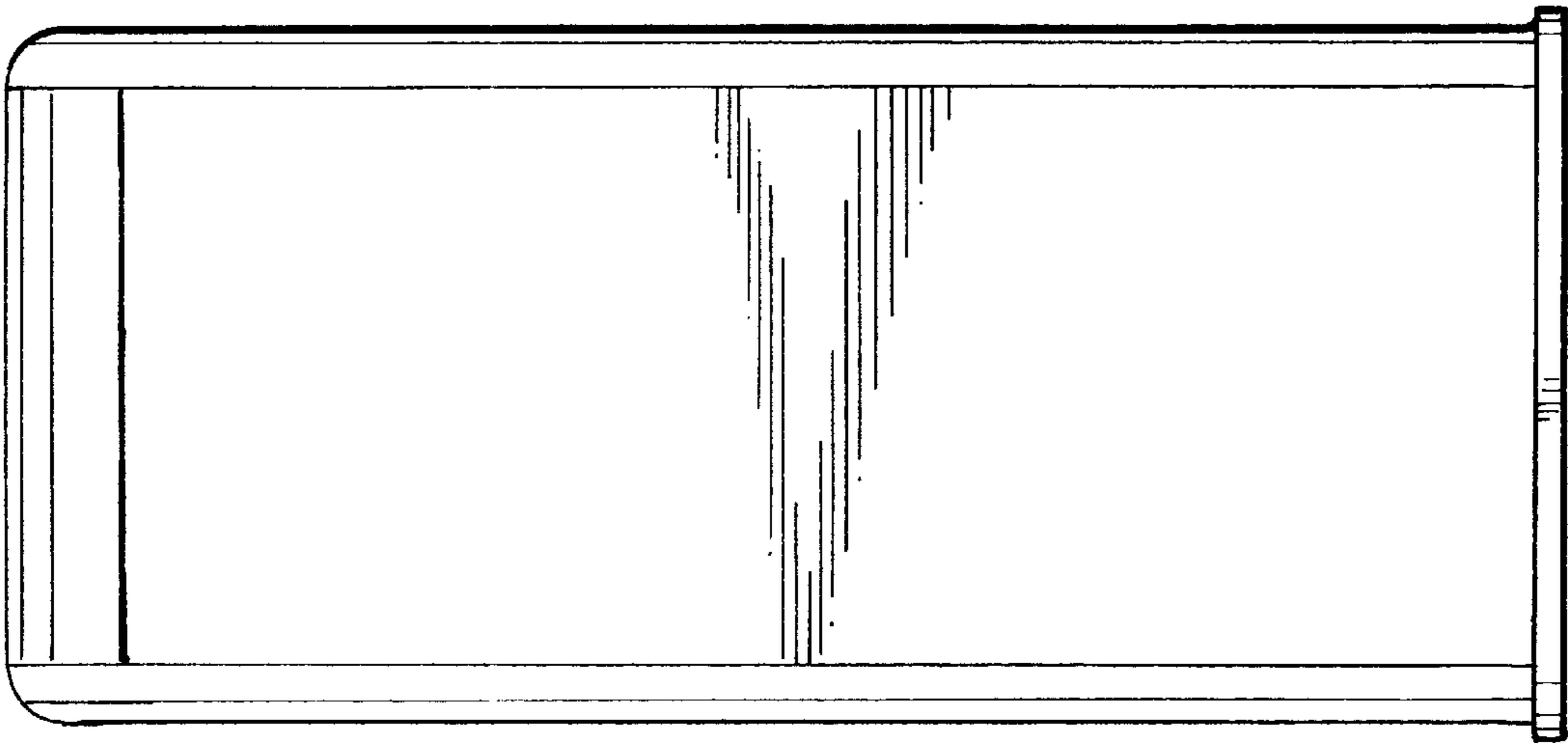


FIG. 5

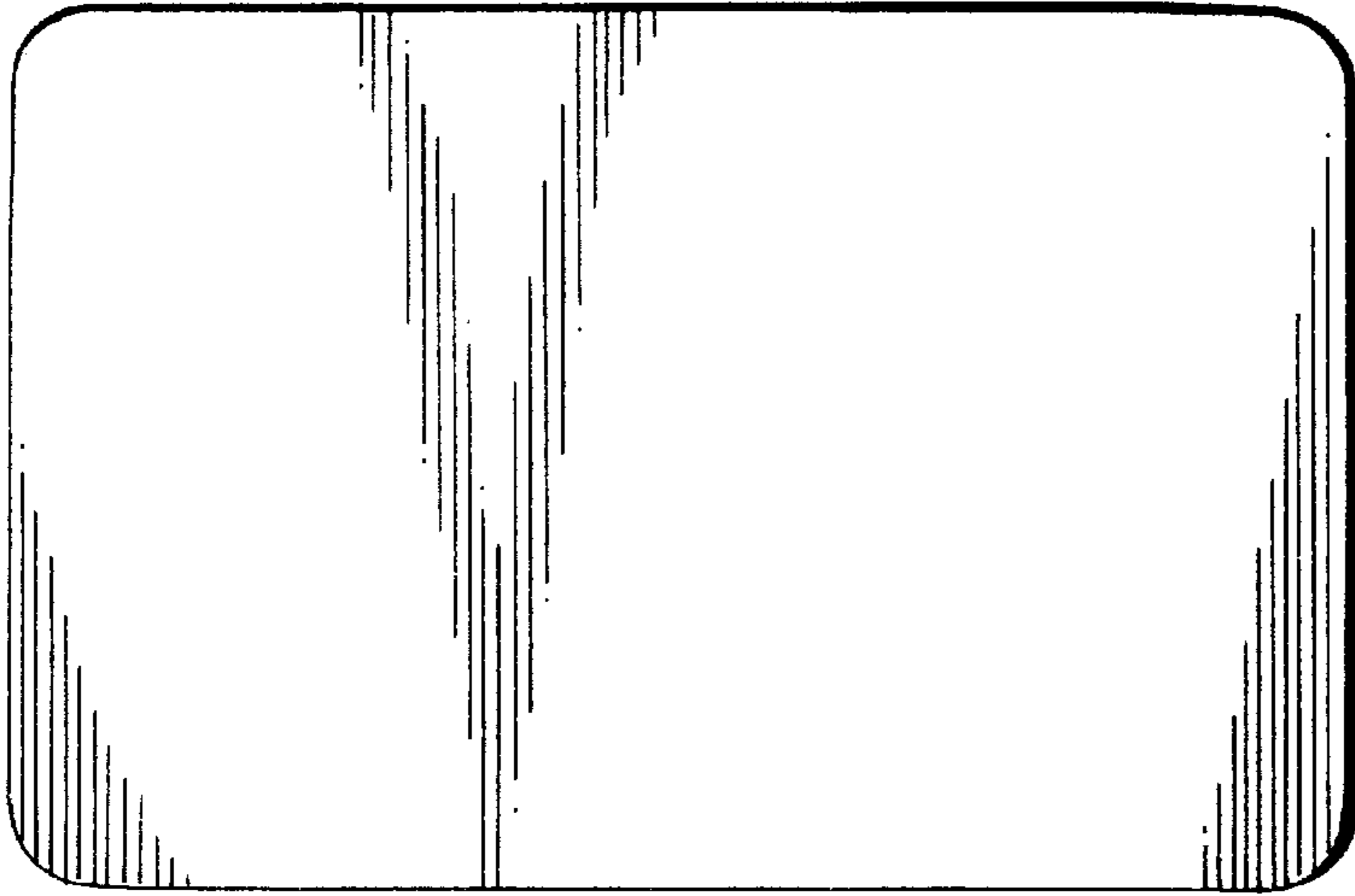


FIG. 6