



US00D453662S

(12) **United States Design Patent**
Hensel

(10) **Patent No.:** **US D453,662 S**

(45) **Date of Patent:** **** Feb. 19, 2002**

(54) **ELECTRICAL APPLIANCE**

(75) **Inventor:** **Keith James Hensel, Naremburn (AU)**

(73) **Assignee:** **Sunbeam Corporation Limited,
Campsie (AU)**

(**) **Term:** **14 Years**

(21) **Appl. No.:** **29/123,387**

(22) **Filed:** **May 17, 2000**

(30) **Foreign Application Priority Data**

Nov. 17, 1999 (AU) 3762/99

(51) **LOC (7) Cl.** **31-00**

(52) **U.S. Cl.** **D7/384**

(58) **Field of Search** D7/376-378, 384,
D7/386; 99/509-511; 241/33, 101.01, 278.2,
285.2; 366/197, 199, 241

(56) **References Cited**

U.S. PATENT DOCUMENTS

D338,803 S * 8/1993 Littmann D7/384
D345,078 S * 3/1994 Gotzsch D7/384

D345,079 S * 3/1994 Johnson D7/384
D366,984 S * 2/1996 Hsu D7/376
D373,703 S * 9/1996 Frisell D7/384
D385,150 S * 10/1997 Leverrier D7/386
D431,959 S * 10/2000 Lallemand D7/384
D434,271 S * 11/2000 Naft et al. D7/384

* cited by examiner

Primary Examiner—Caron D. Veynar

(74) *Attorney, Agent, or Firm*—Frommer Lawrence &
Haug LLP; William S. Frommer

(57) **CLAIM**

The ornamental design for “an electrical appliance”, as shown.

DESCRIPTION

FIG. 1 is a front perspective view of an electrical appliance showing my new design;
FIG. 2 is a rear perspective view thereof;
FIG. 3 is a left side perspective view thereof;
FIG. 4 is a bottom plan view thereof;
FIG. 5 is a top perspective view thereof; and,
FIG. 6 is a right side perspective view thereof.

1 Claim, 6 Drawing Sheets

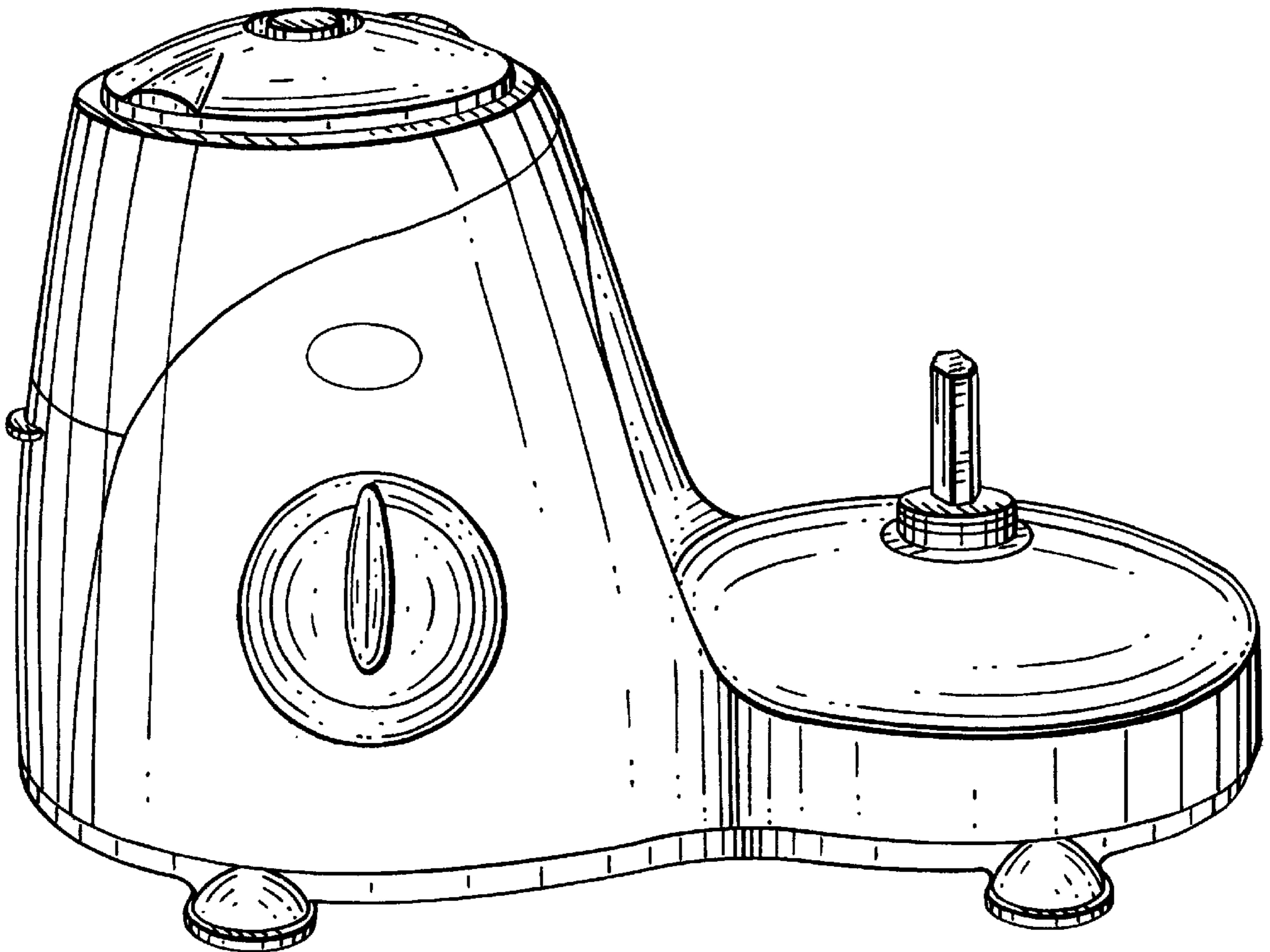
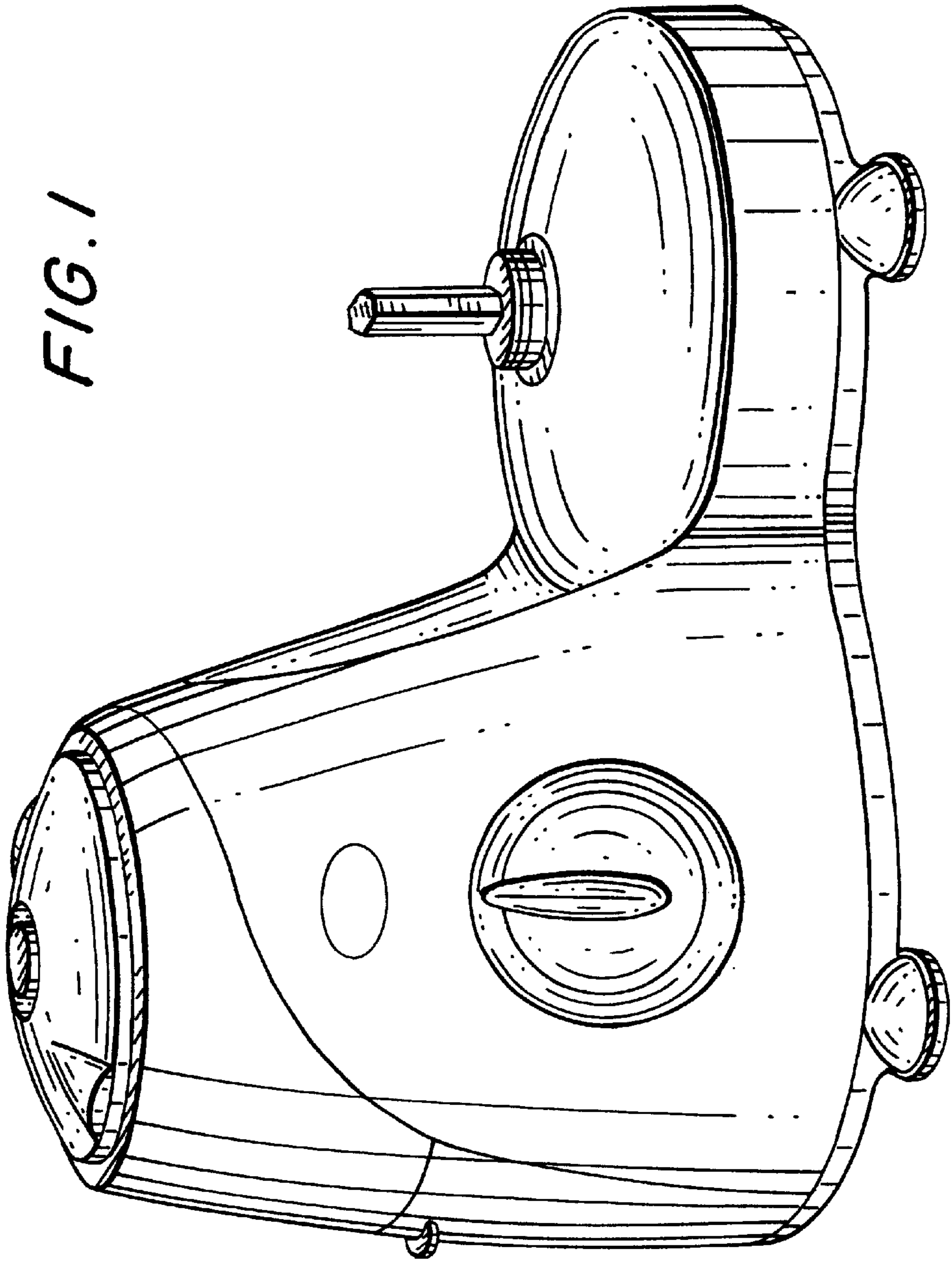


FIG. 1



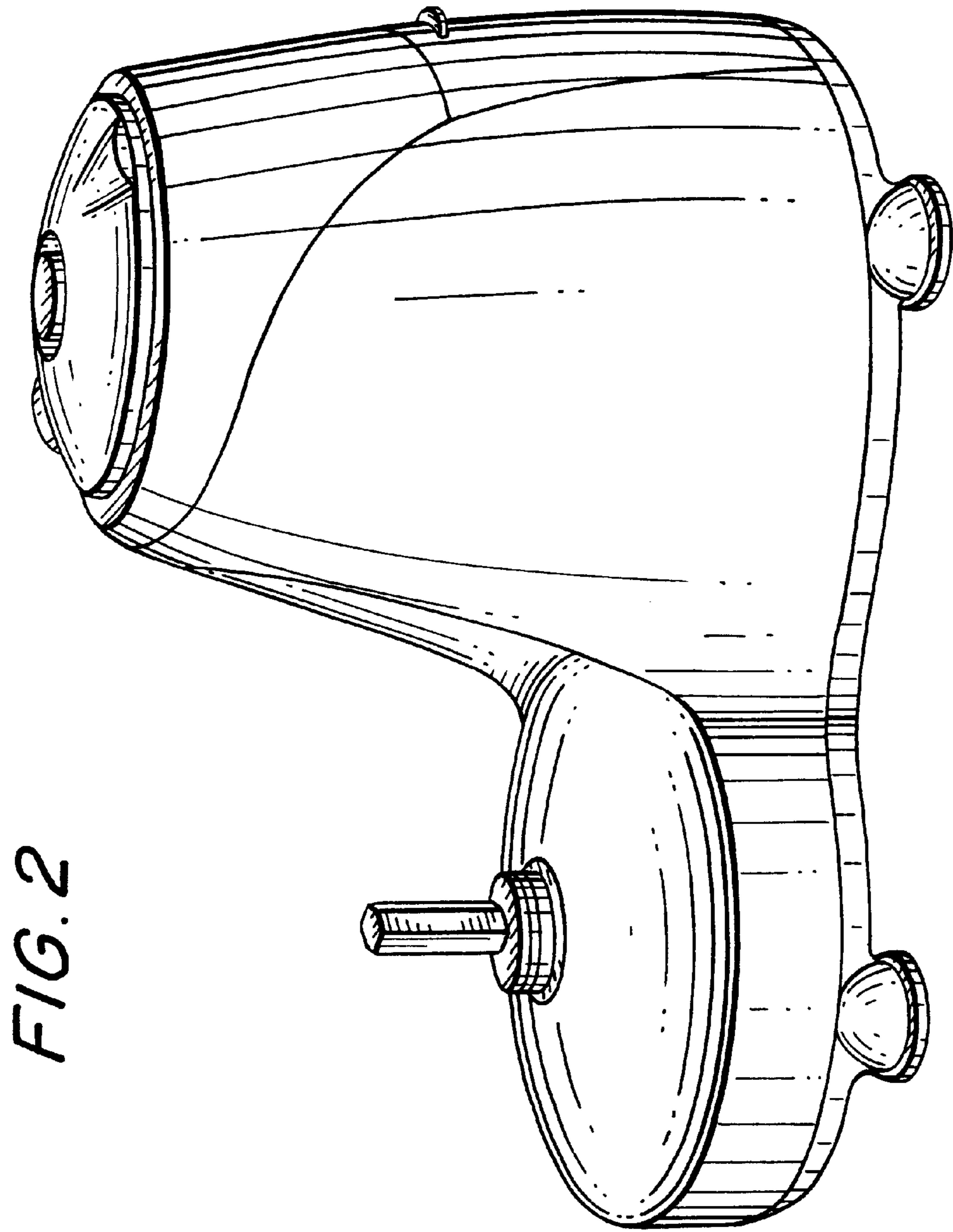


FIG. 2

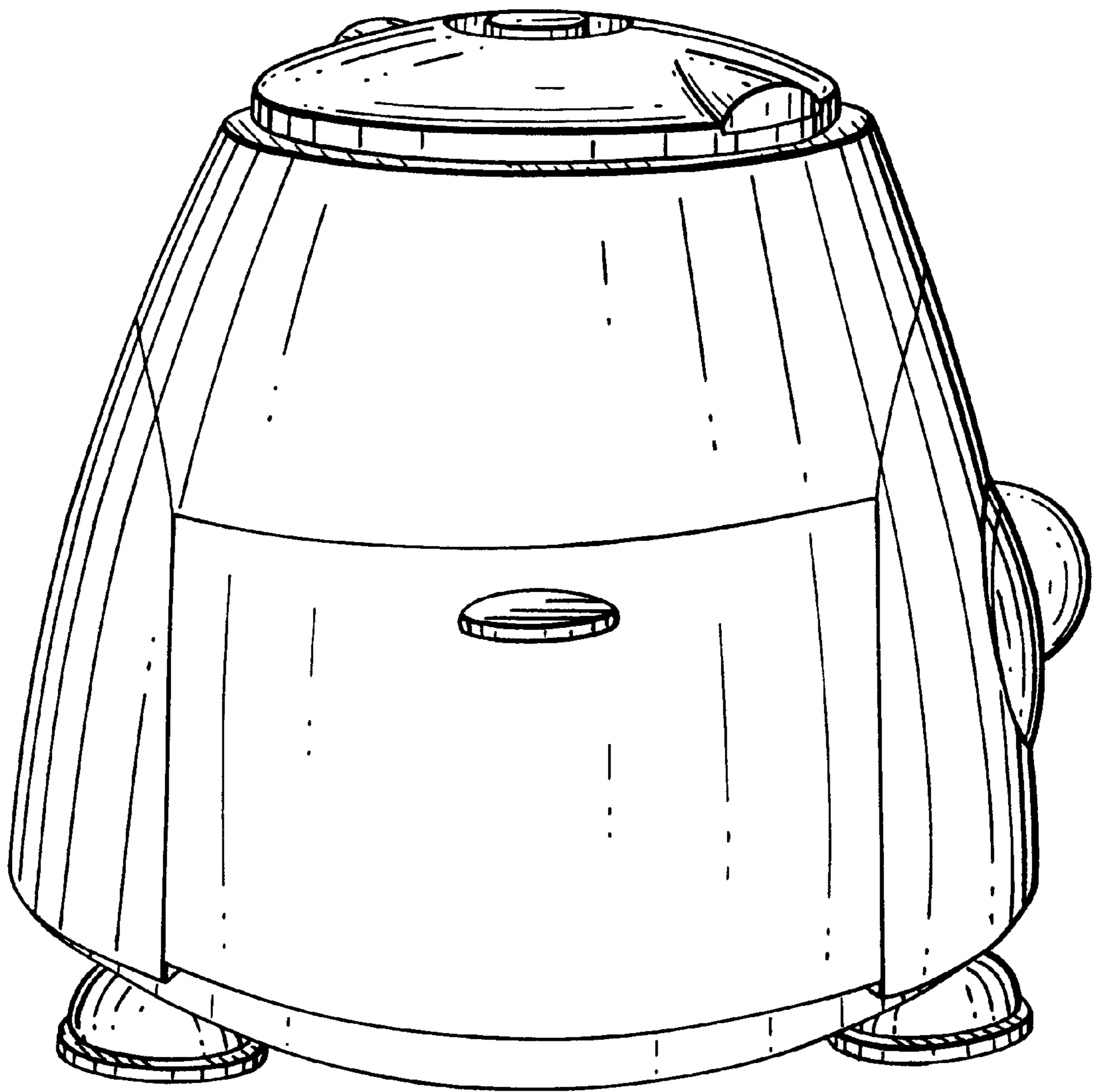


FIG. 3

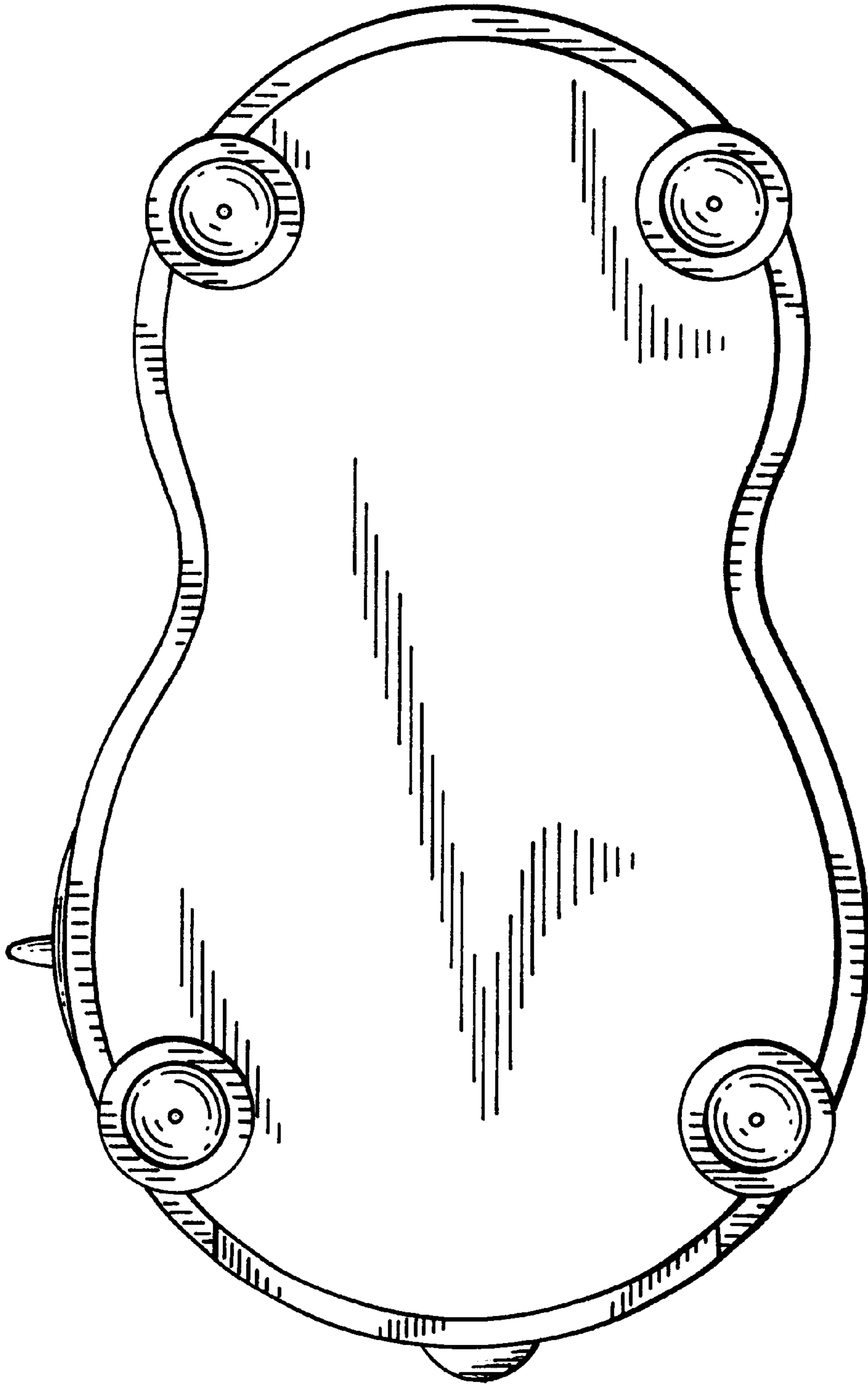


FIG. 4

FIG. 5

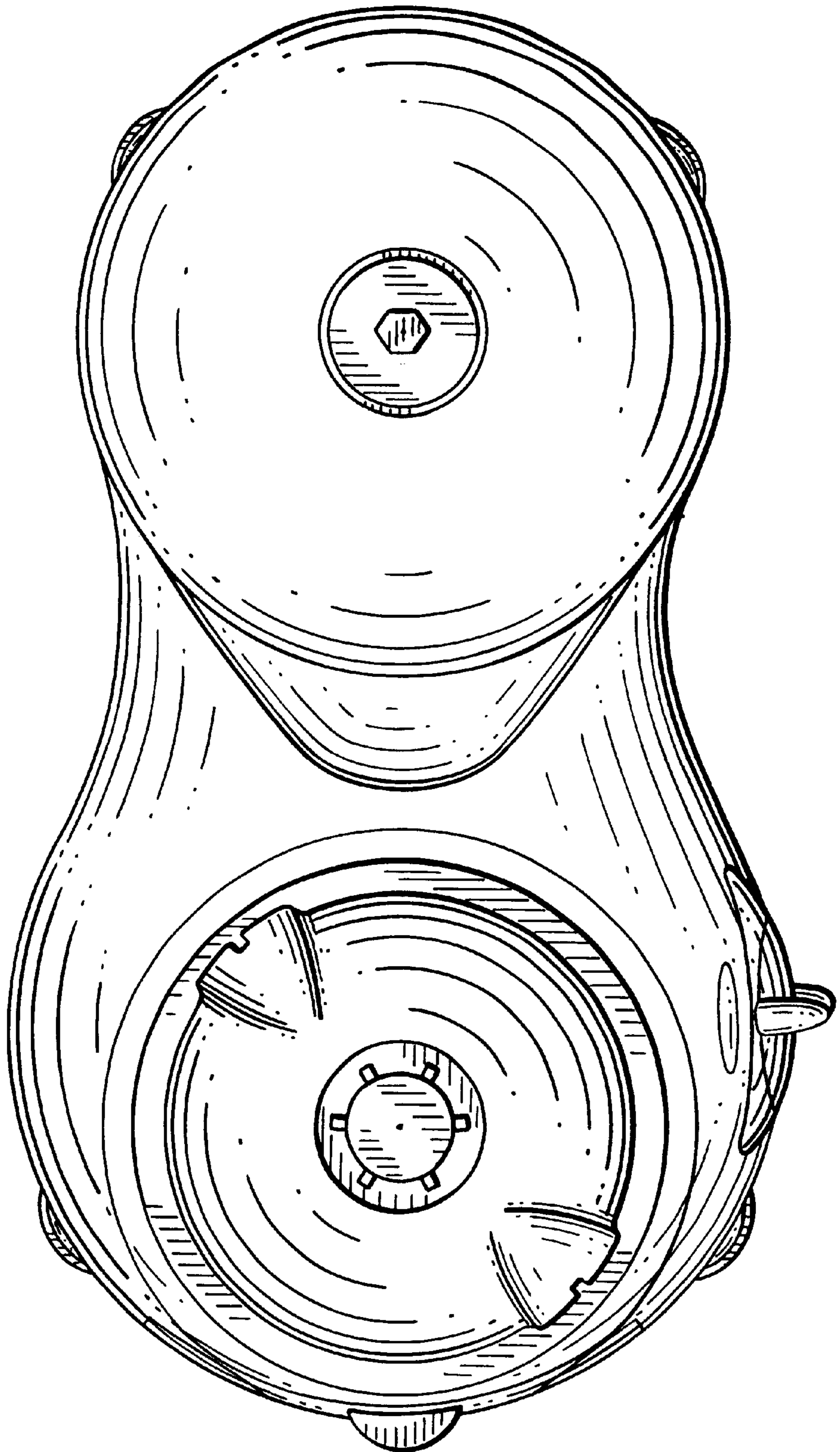


FIG. 6

