



US00D453661S

(12) **United States Design Patent**
Colletti

(10) **Patent No.:** **US D453,661 S**

(45) **Date of Patent:** **** Feb. 19, 2002**

(54) **PRESSURE COOKER**

(76) Inventor: **Peter A. Colletti**, 510 Maple St.,
Prospect Heights, IL (US) 60070

(**) Term: **14 Years**

(21) Appl. No.: **29/143,485**

(22) Filed: **Jun. 14, 2001**

(51) **LOC (7) Cl.** **07-02**

(52) **U.S. Cl.** **D7/358**

(58) **Field of Search** D7/323, 354-360;
99/324, 325, 330-339

(56) **References Cited**

U.S. PATENT DOCUMENTS

D370,382 S * 6/1996 Combe D7/360

* cited by examiner

Primary Examiner—Caron D. Veynar

(74) *Attorney, Agent, or Firm*—Vedder Price Kaufman &
Kammholz

(57) **CLAIM**

The ornamental design of the pressure cooker, as shown.

DESCRIPTION

FIG. 1 is a perspective view of the pressure cooker showing my new design;

FIG. 2 is a front view showing my invention;

FIG. 3 is a back view showing my invention;

FIG. 4 is a top view showing my invention;

FIG. 5 is a side view showing my invention;

FIG. 6 is the other side view showing my invention; and,

FIG. 7 is a bottom view showing my invention.

1 Claim, 4 Drawing Sheets

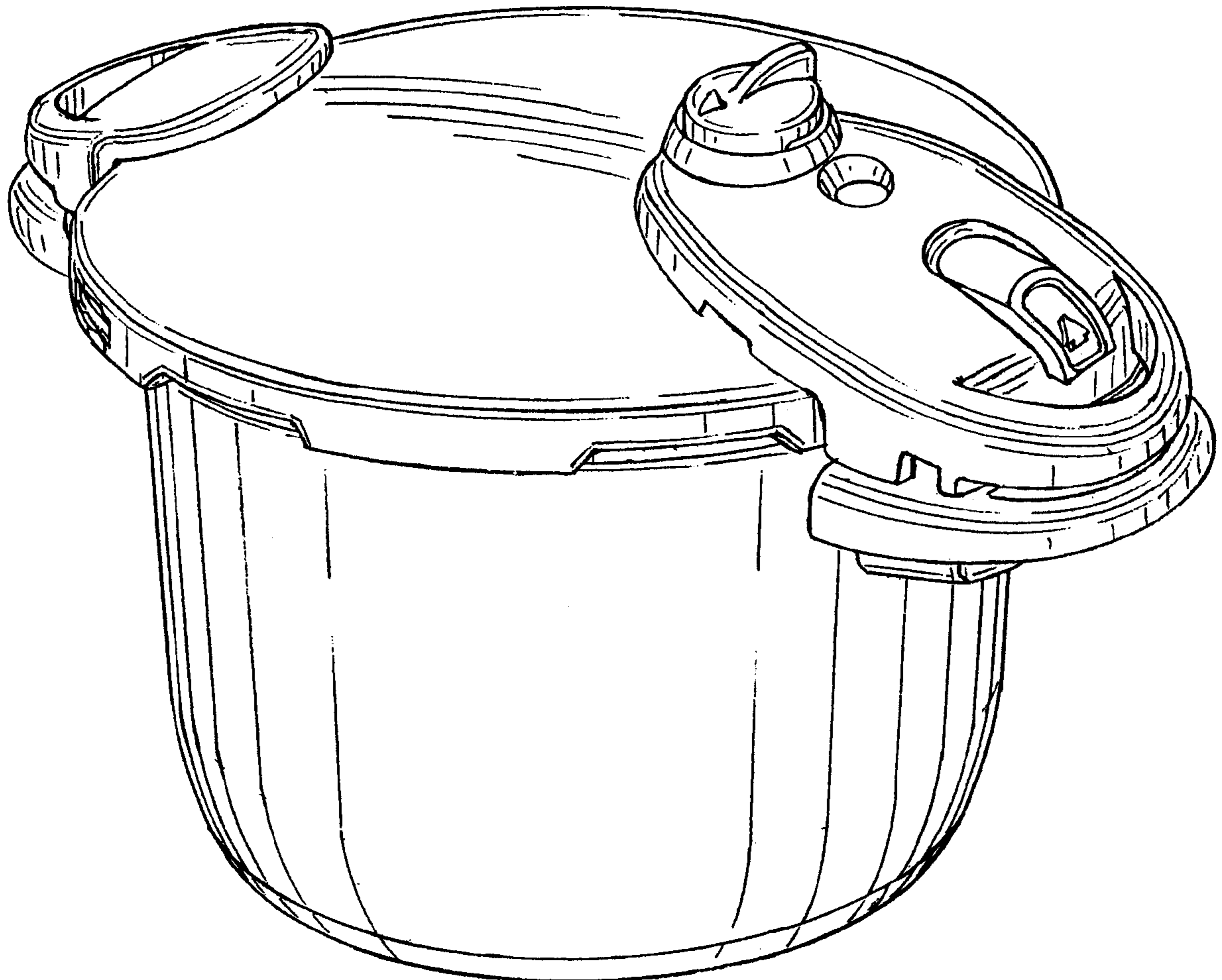


FIG. 1

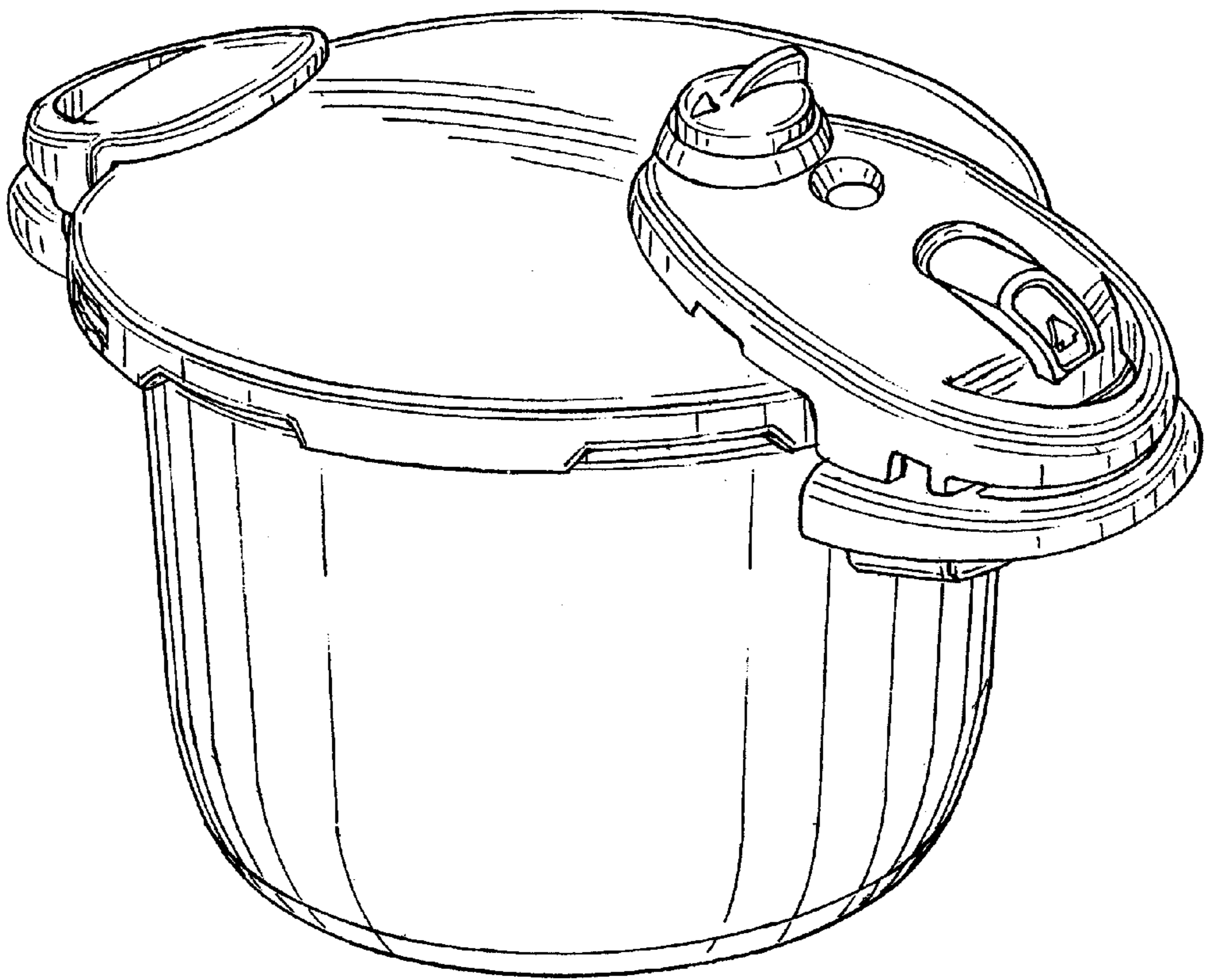


FIG.2

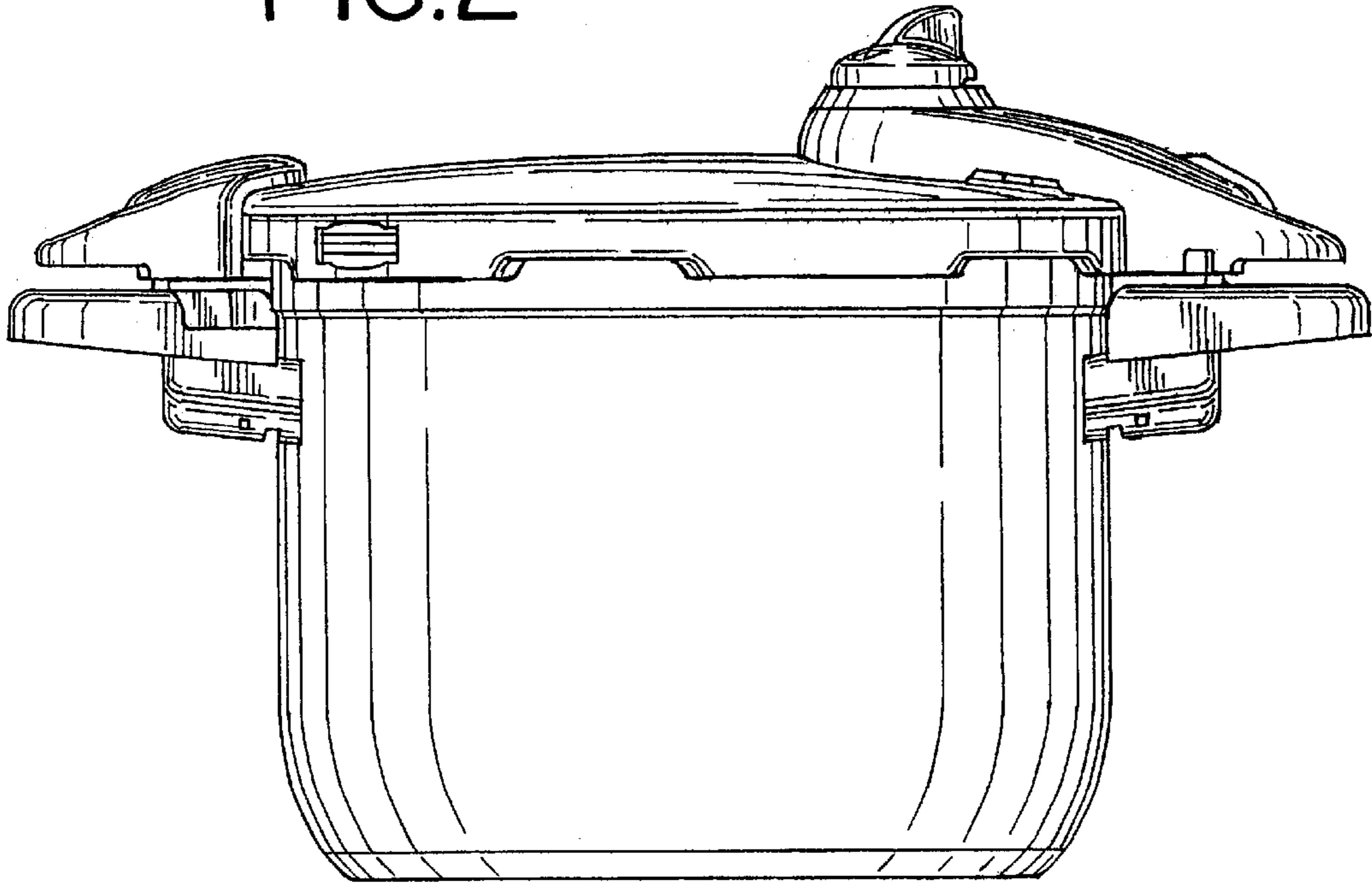


FIG.3

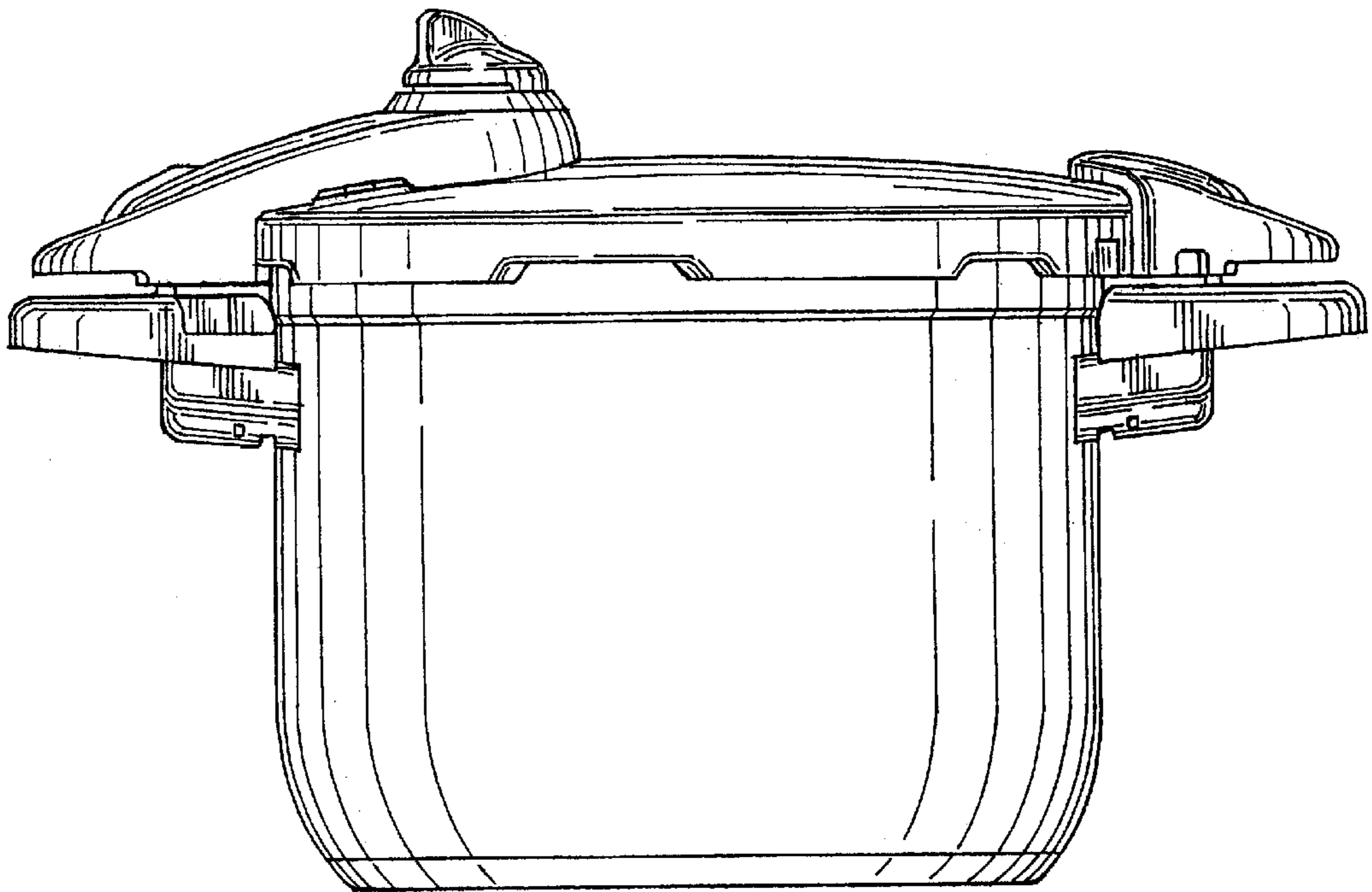


FIG.4

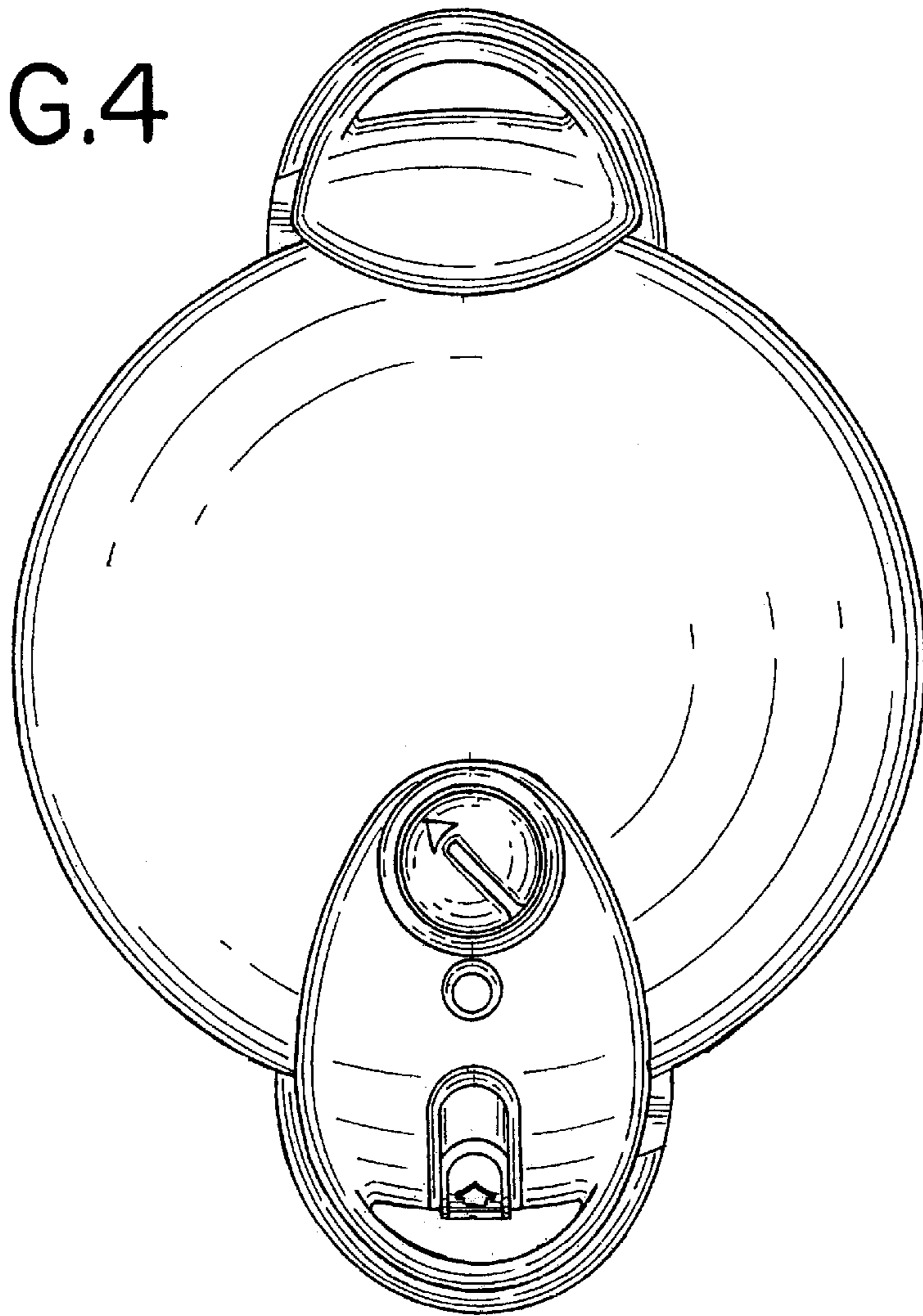


FIG.5

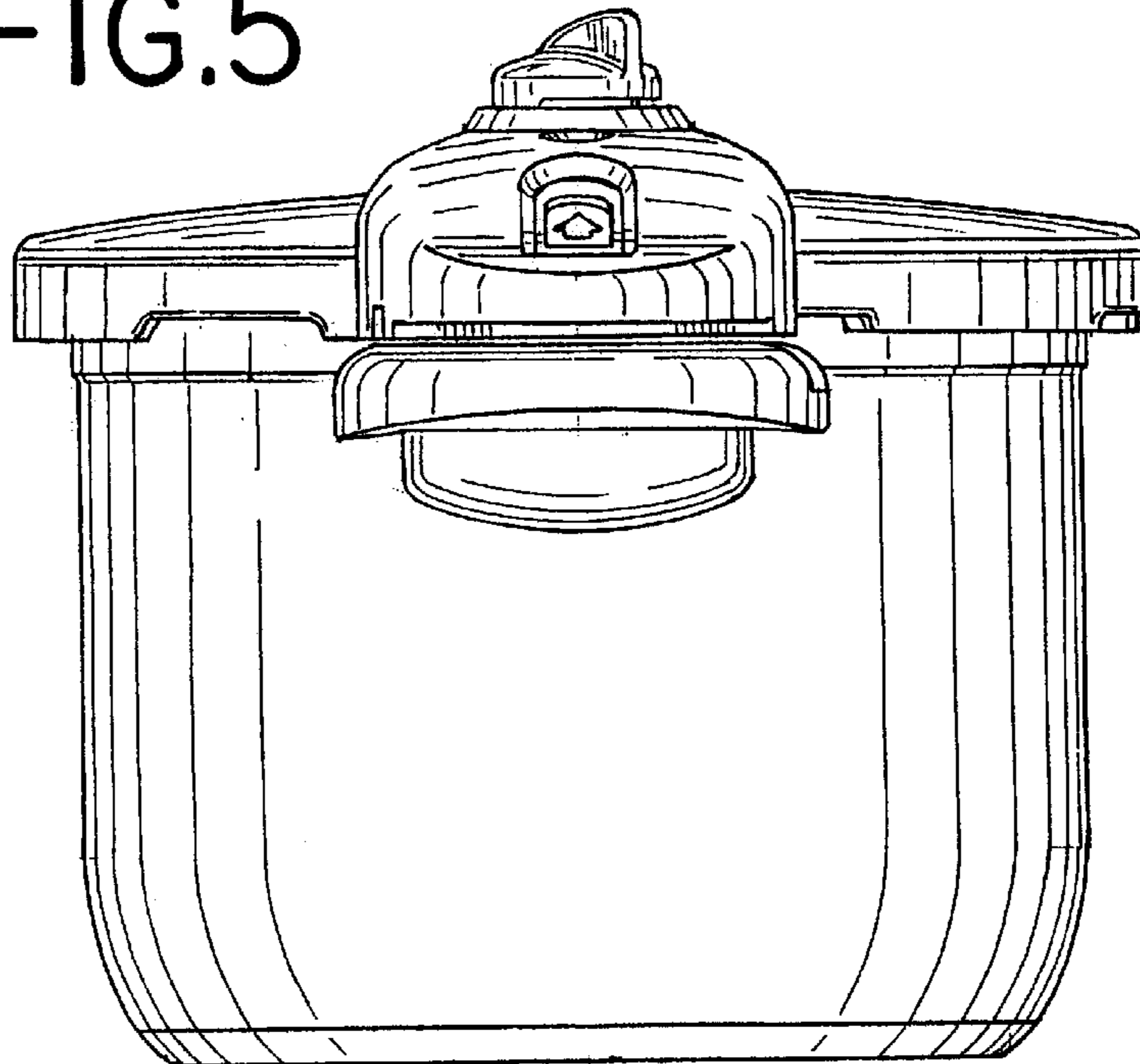


FIG.6

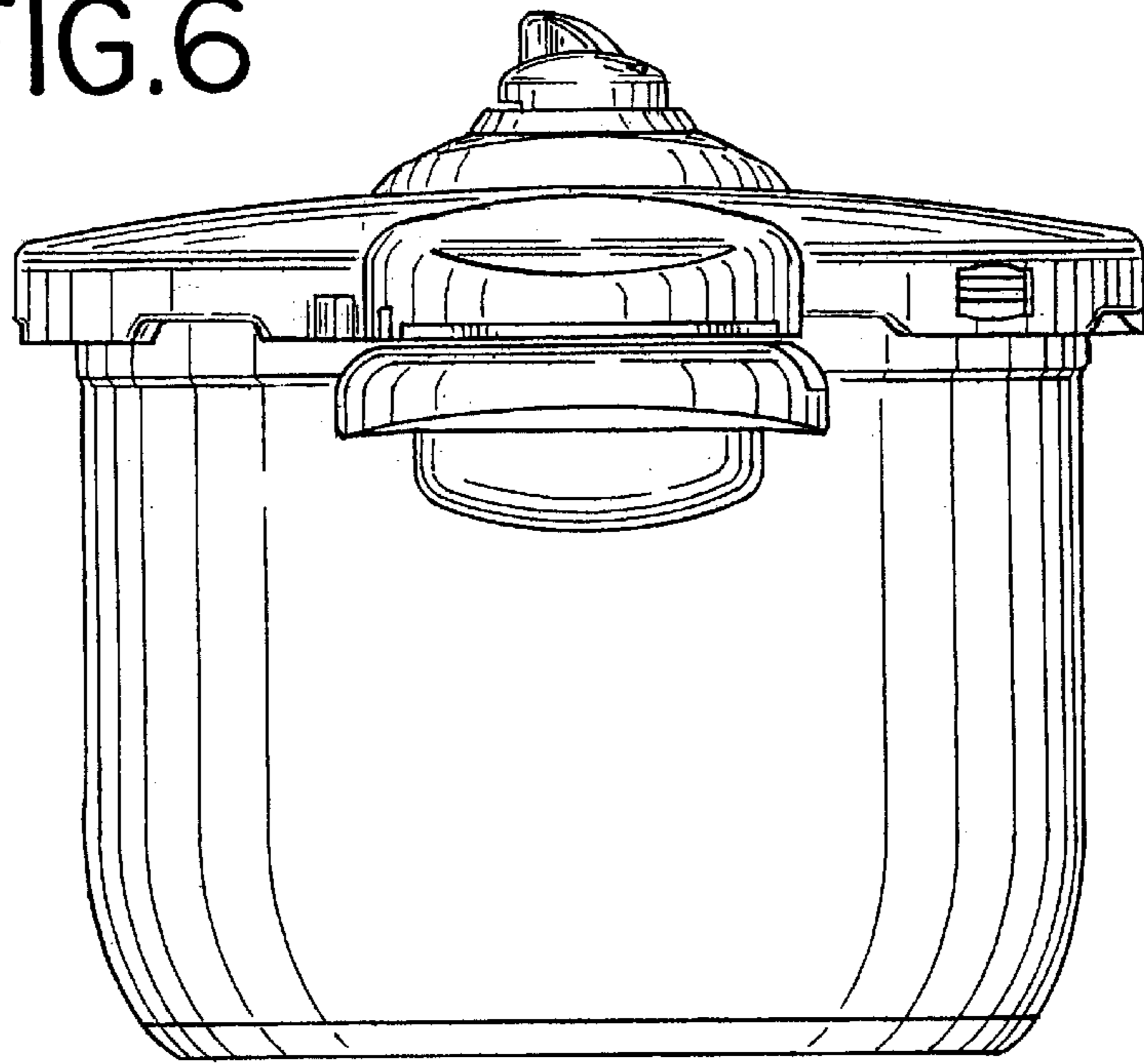


FIG.7

