



US00D453656S

(12) **United States Design Patent**
Byler et al.

(10) **Patent No.:** **US D453,656 S**

(45) **Date of Patent:** **** Feb. 19, 2002**

(54) **COFFEE MAKER**

(75) Inventors: **Shane Adam Byler**, Mableton;
Maureen Carroll, Atlanta, both of GA
(US)

(73) Assignee: **Sunbeam Corporation**, Boca Raton,
FL (US)

(**) Term: **14 Years**

(21) Appl. No.: **29/127,802**

(22) Filed: **Aug. 11, 2000**

(51) **LOC (7) Cl.** **07-01**

(52) **U.S. Cl.** **D7/309; D7/310; D7/311**

(58) **Field of Search** **D7/309, 310, 311,**
D7/308, 312; 210/479; 99/295, 285, 279

(56) **References Cited**

U.S. PATENT DOCUMENTS

D248,721 S	*	8/1978	Sato et al.	D7/309
4,676,148 A	*	6/1987	Foley	99/279
D347,961 S	*	6/1994	Beeren	D7/309
D359,195 S	*	6/1995	Mukai et al.	D7/309
D386,039 S	*	11/1997	Dingelstad	D7/309
D403,199 S	*	12/1998	Micoley	D7/309
D404,961 S	*	2/1999	Carrere	D7/309

D407,262 S	*	3/1999	Dingelstad	D7/309
D408,208 S	*	4/1999	Hsu	D7/309
D413,479 S	*	9/1999	Mork et al.	D7/309
D418,000 S	*	12/1999	Mork et al.	D7/309
D432,849 S	*	10/2000	Brady et al.	D7/309
D439,103 S	*	3/2001	Cruz	D7/309
D446,989 S	*	8/2001	Cruz	D7/309
D446,990 S	*	8/2001	Prat	D7/309

* cited by examiner

Primary Examiner—M. N. Pandozzi

(74) *Attorney, Agent, or Firm*—Kramer Levin Naftalis & Frankel LLP

(57) **CLAIM**

The ornamental design for a coffee maker, as shown and described.

DESCRIPTION

FIG. 1 is a front perspective view showing the new design;
FIG. 2 is a rear perspective view thereof;
FIG. 3 is a left side view thereof;
FIG. 4 is a front elevation view thereof;
FIG. 5 is a right side view thereof;
FIG. 6 is a rear elevation view thereof;
FIG. 7 is a top plan view thereof; and,
FIG. 8 is a bottom plan view thereof.

1 Claim, 4 Drawing Sheets

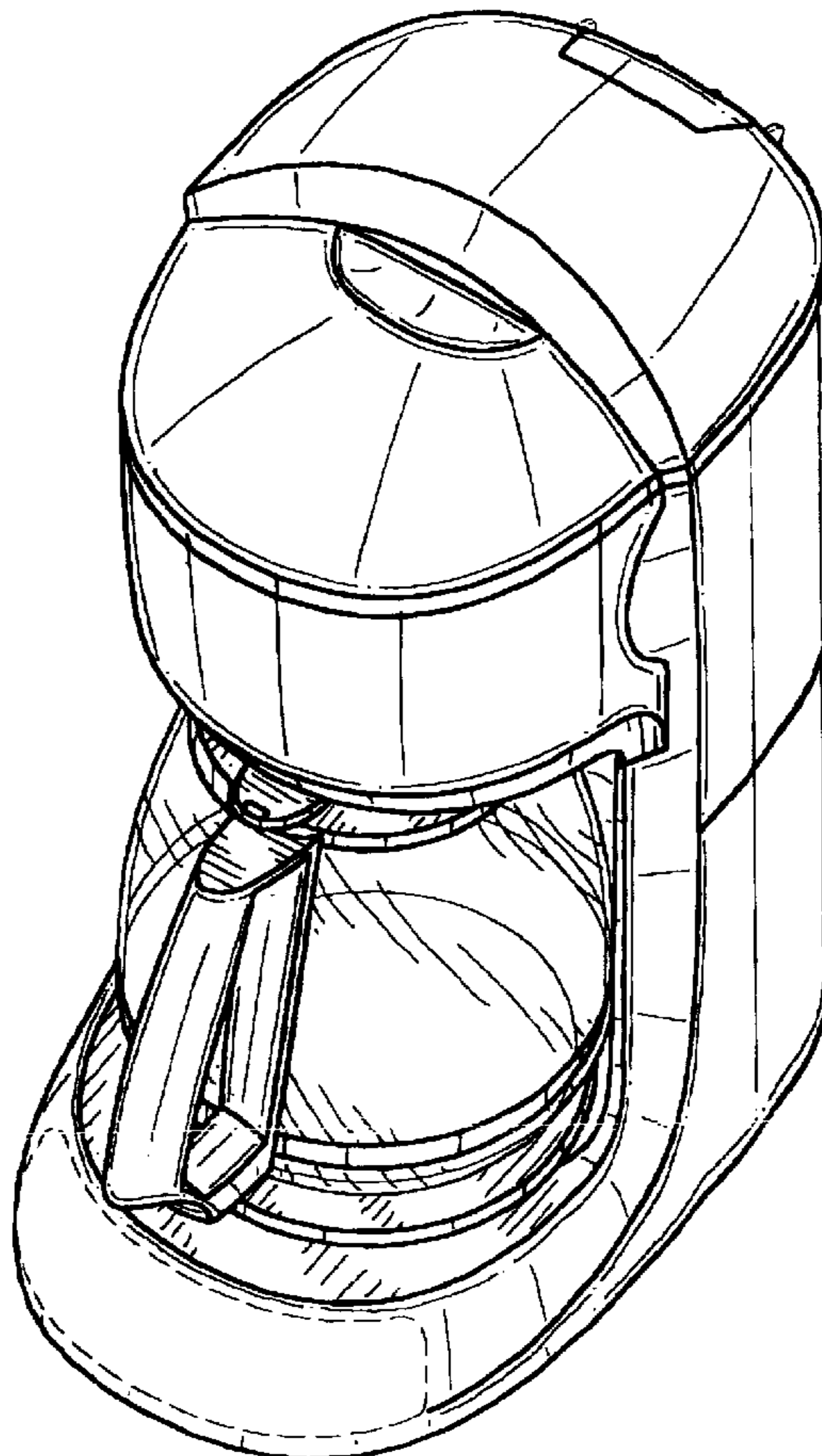


FIG. 2

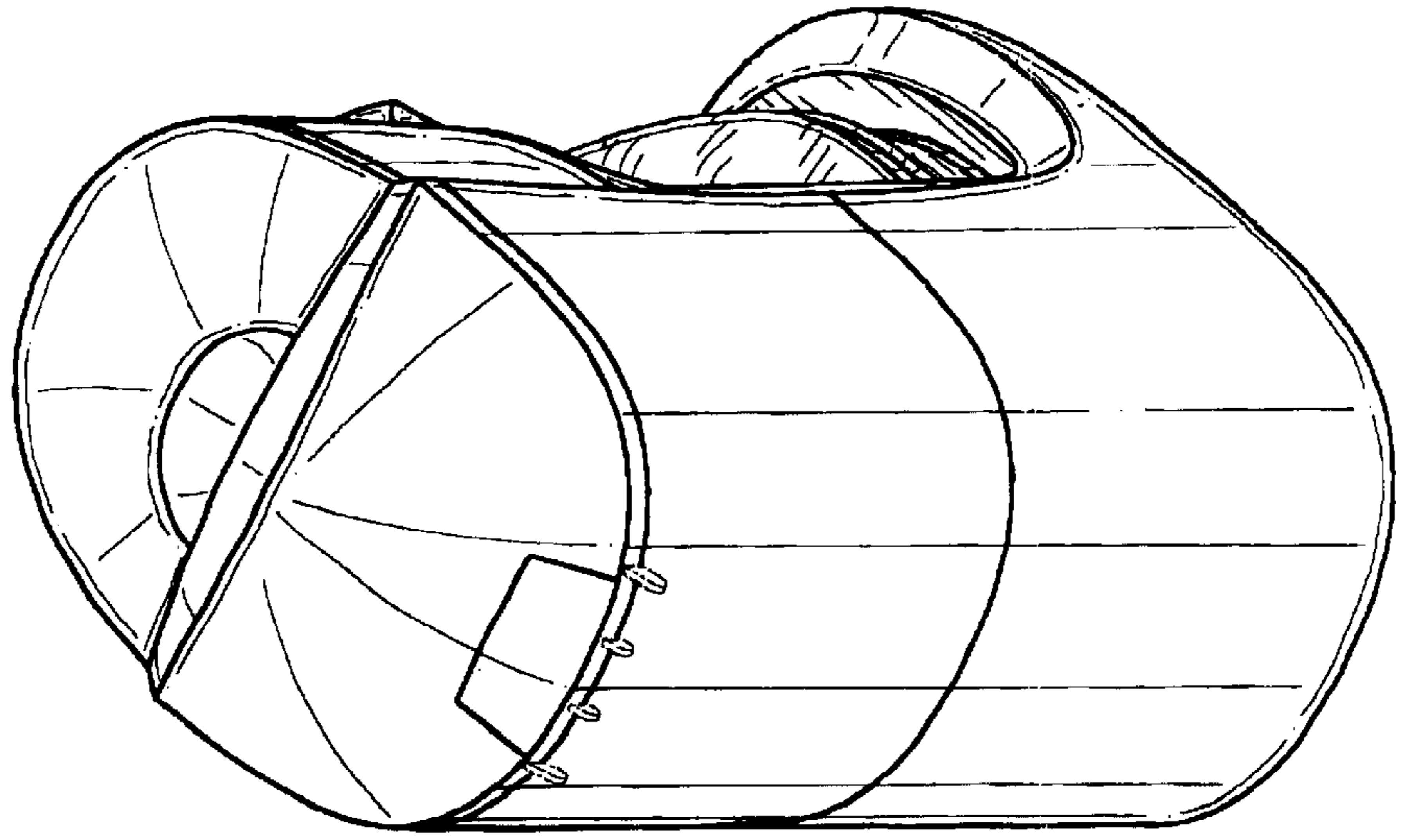


FIG. 1

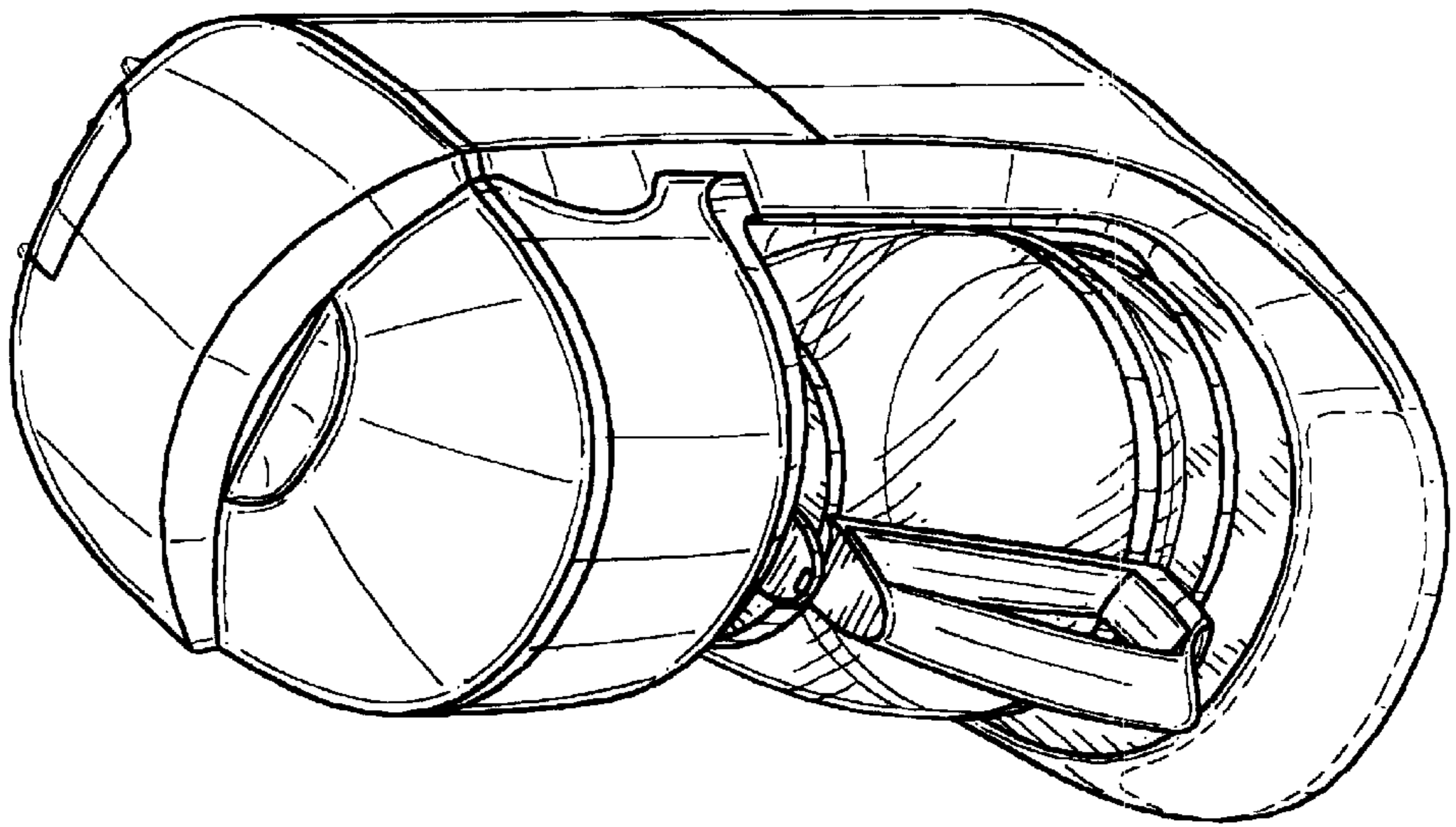


FIG. 4

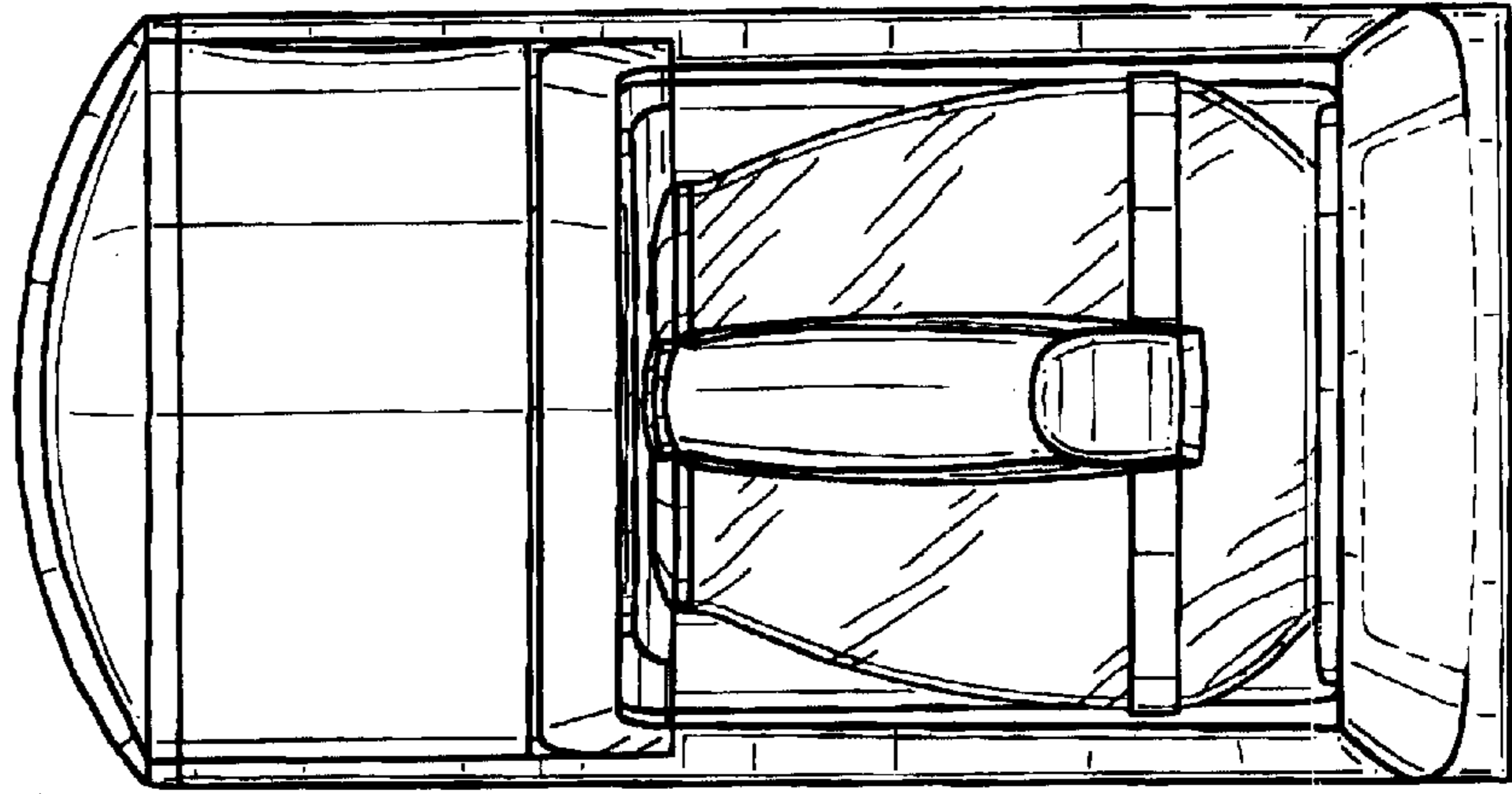


FIG. 3

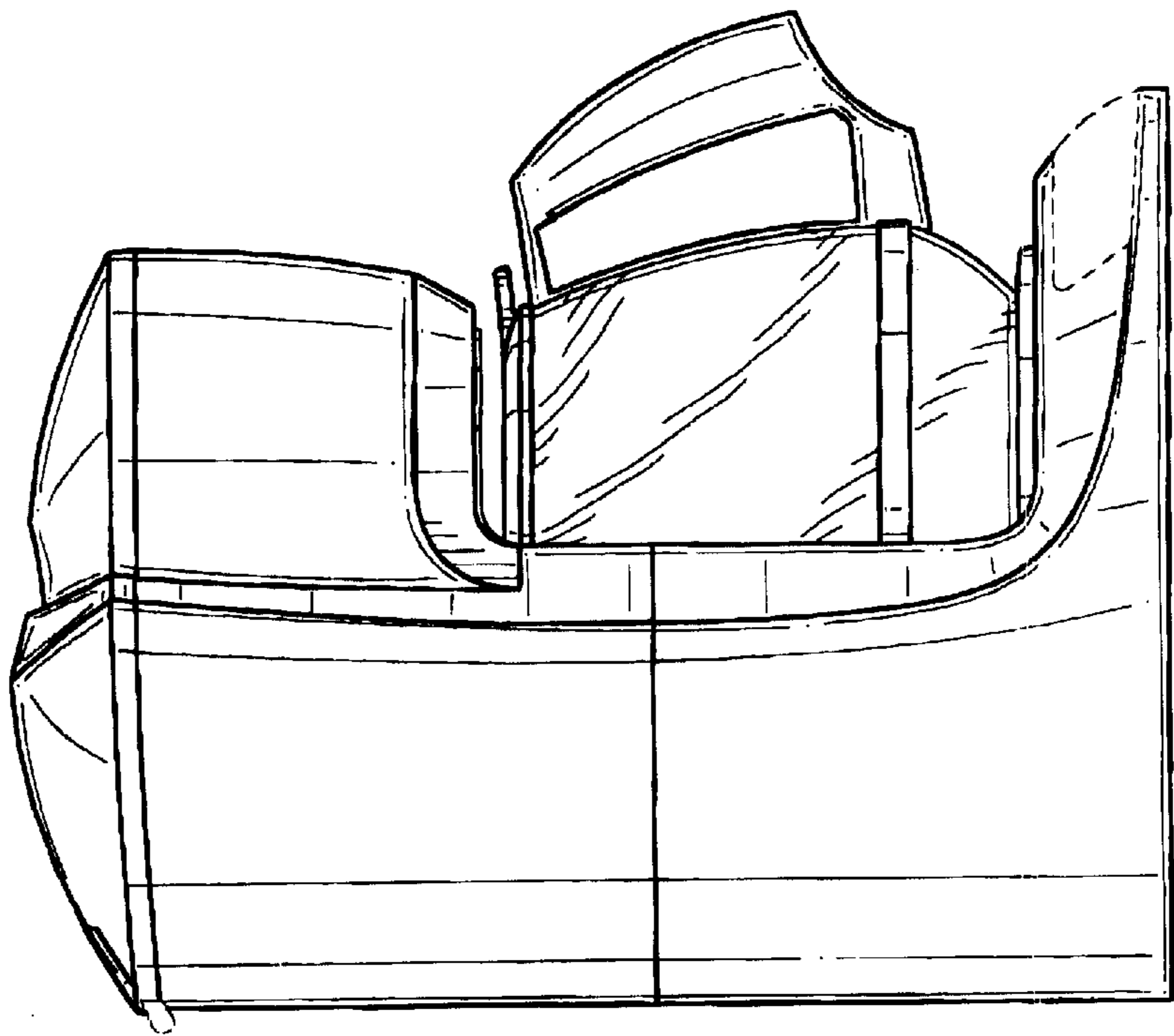


FIG. 6

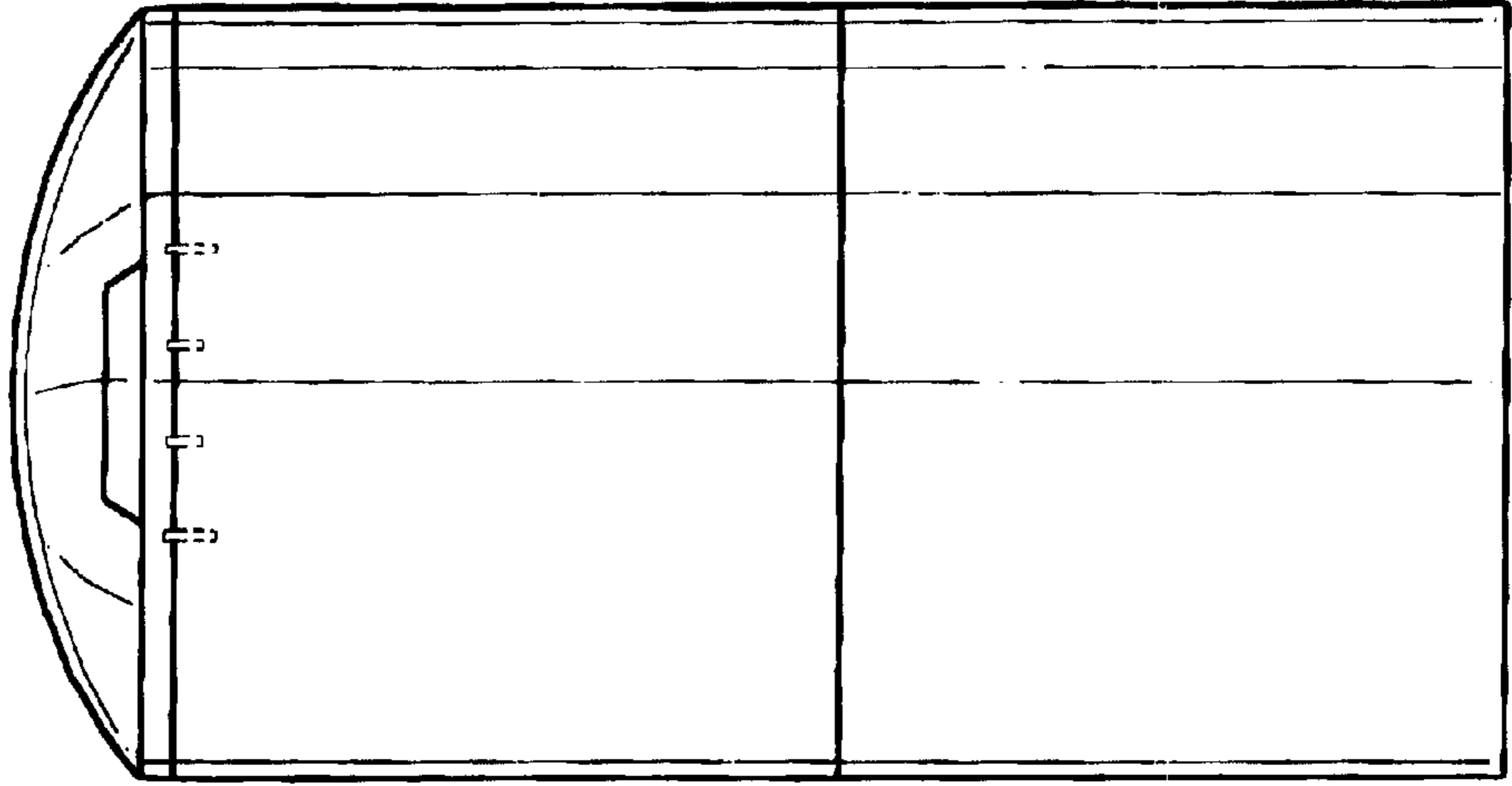


FIG. 5

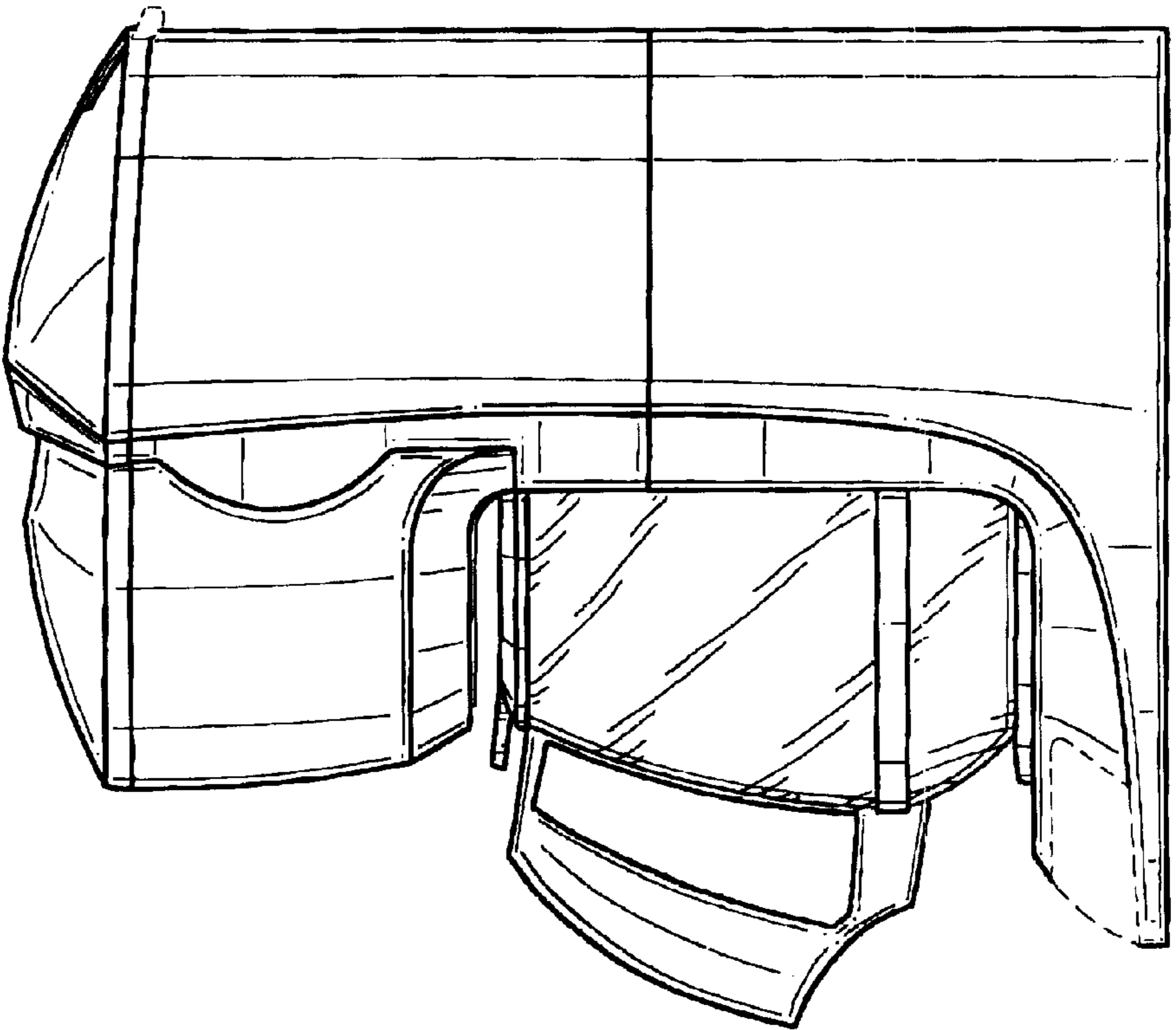


FIG. 8

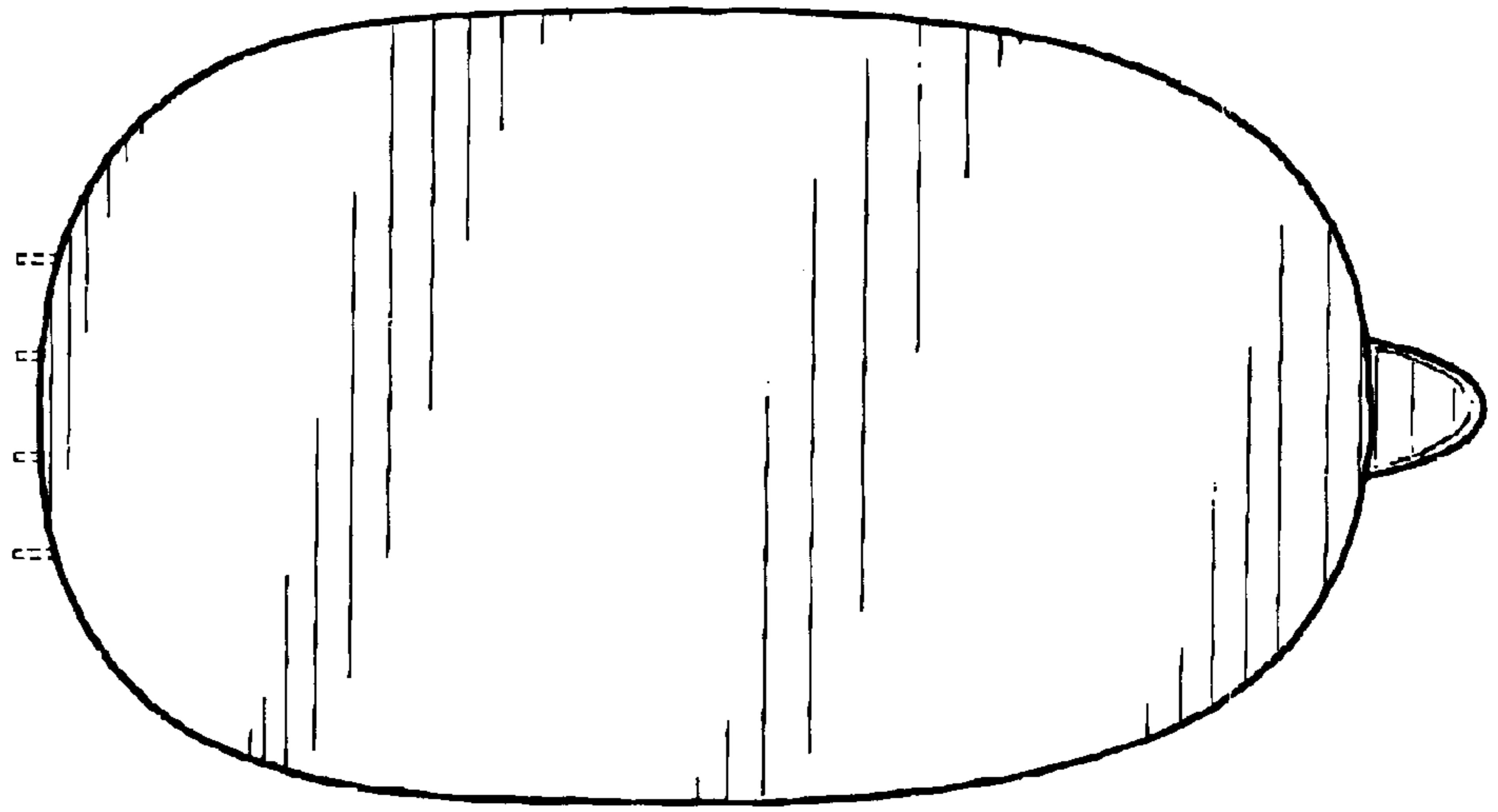


FIG. 7

