



US00D453654S

(12) **United States Design Patent**  
**Kwok**

(10) **Patent No.:** **US D453,654 S**

(45) **Date of Patent:** **\*\* Feb. 19, 2002**

(54) **RACK FOR COMPACT DISKS**

(75) Inventor: **Tat Cheong Kwok, Hong Kong (HK)**

(73) Assignee: **Kwok's Brother Manufacturing Limited, Chaiwan (HK)**

(\*\*) Term: **14 Years**

(21) Appl. No.: **29/133,000**

(22) Filed: **Nov. 20, 2000**

(30) **Foreign Application Priority Data**

May 18, 2000 (DE) ..... 400 04 996

(51) **LOC (7) Cl.** ..... **06-04**

(52) **U.S. Cl.** ..... **D6/630; D6/468**

(58) **Field of Search** ..... D6/407, 629, 630,  
D6/467, 468, 450, 453, 474, 462, 465,  
466, 477-479; 206/307, 307.1, 308.1; 211/40,  
41.1, 41.2, 41.12; 312/9.1, 9.55, 9.64, 348.3

(56) **References Cited**

**U.S. PATENT DOCUMENTS**

D405,310 S	*	2/1999	Cheris et al.	.....	D6/630
D429,439 S	*	8/2000	Mok	.....	D6/630
6,126,020 A	*	10/2000	Mok	.....	211/40
D435,189 S	*	12/2000	Mok	.....	D6/630
D436,490 S	*	1/2001	Kwok	.....	D6/630

\* cited by examiner

*Primary Examiner*—Cathron C. Brooks

(74) *Attorney, Agent, or Firm*—Duane, Morris & Heckscher LLP

(57) **CLAIM**

The ornamental design for a rack for compact disks, as shown and described.

**DESCRIPTION**

FIG. 1 is a front perspective view of a rack for compact disks showing my new design;

FIG. 2 is a rear perspective view of the rack for compact disks of FIG. 1;

FIG. 3 is a front elevational view of the rack for compact disks of FIG. 1;

FIG. 4 is a rear elevational view of the rack for compact disks of FIG. 1;

FIG. 5 is a right side elevational view of the rack for compact disks of FIG. 1;

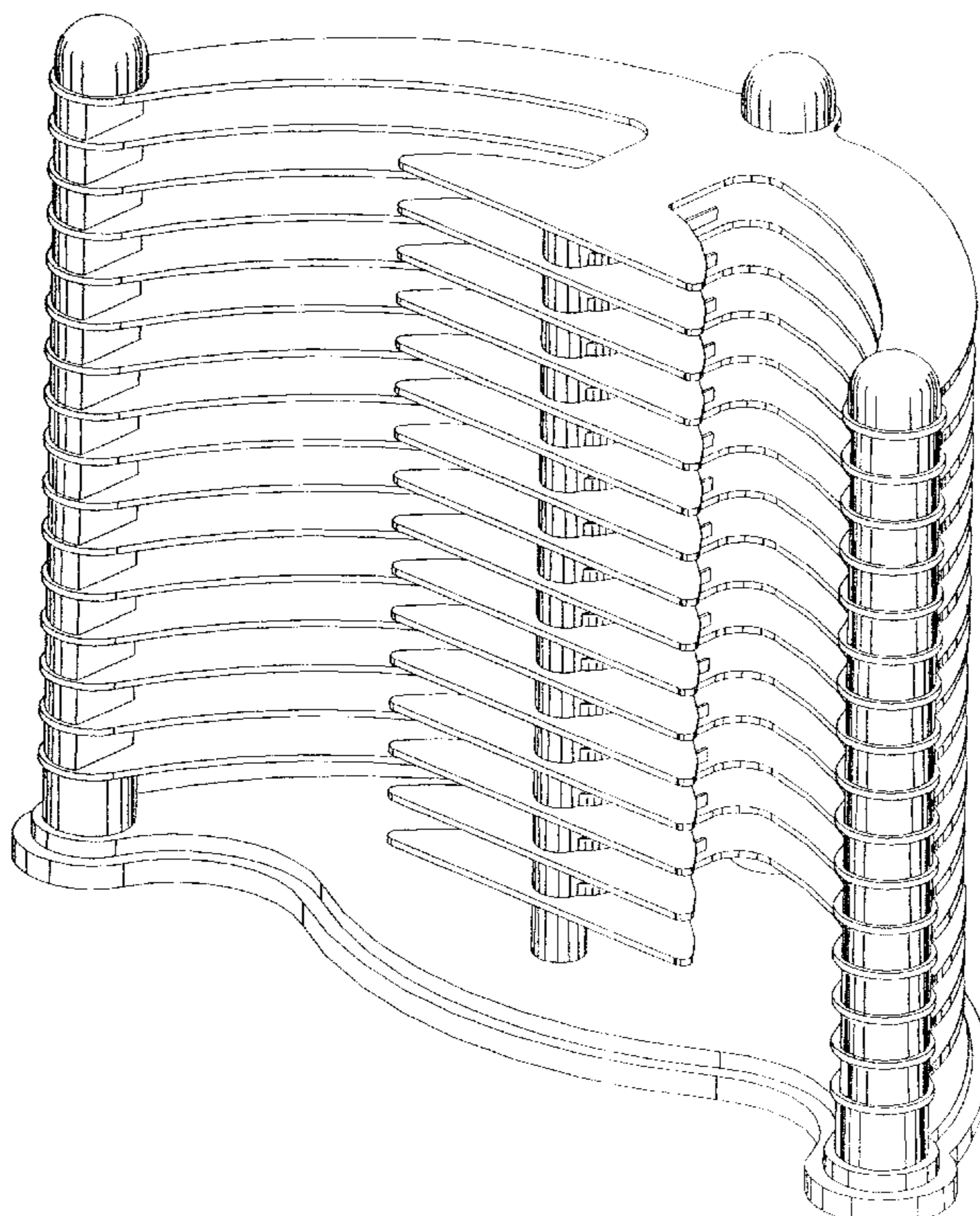
FIG. 6 is a left side elevational view of the rack for compact disks of FIG. 1;

FIG. 7 is a top plan view of the rack for compact disks of FIG. 1; and,

FIG. 8 is a top plan view of an individual layer of the rack for compact disks of FIG. 1 taken along line 8—8 of FIG. 3.

It should be understood that FIG. 8 is merely illustrative of an individual layer of the rack for compact disks and that the design for each layer of the rack for compact disks is identical. Also, the bottom of the rack for compact disks is planar and unornamented.

**1 Claim, 7 Drawing Sheets**



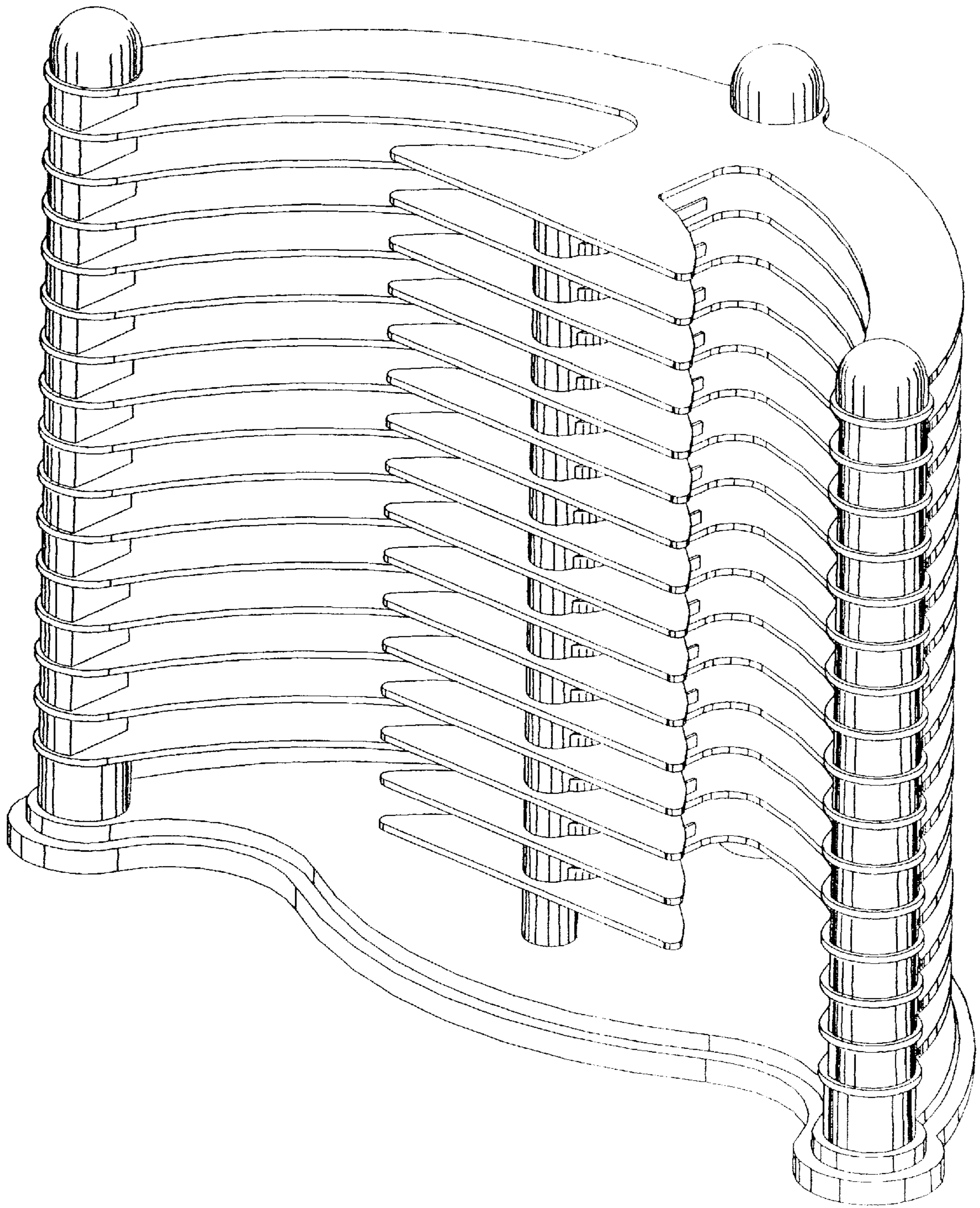


Figure 1

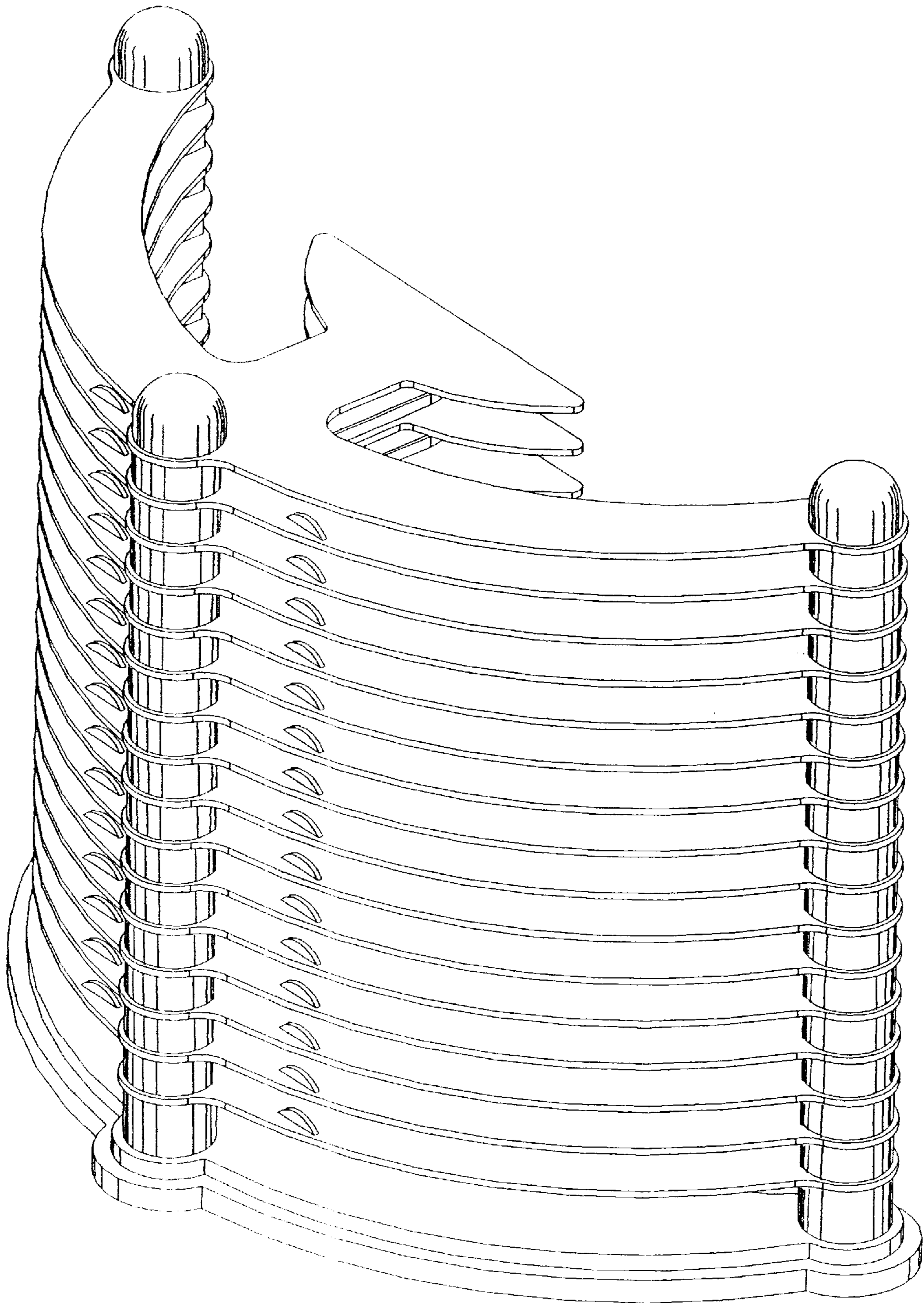


Figure 2

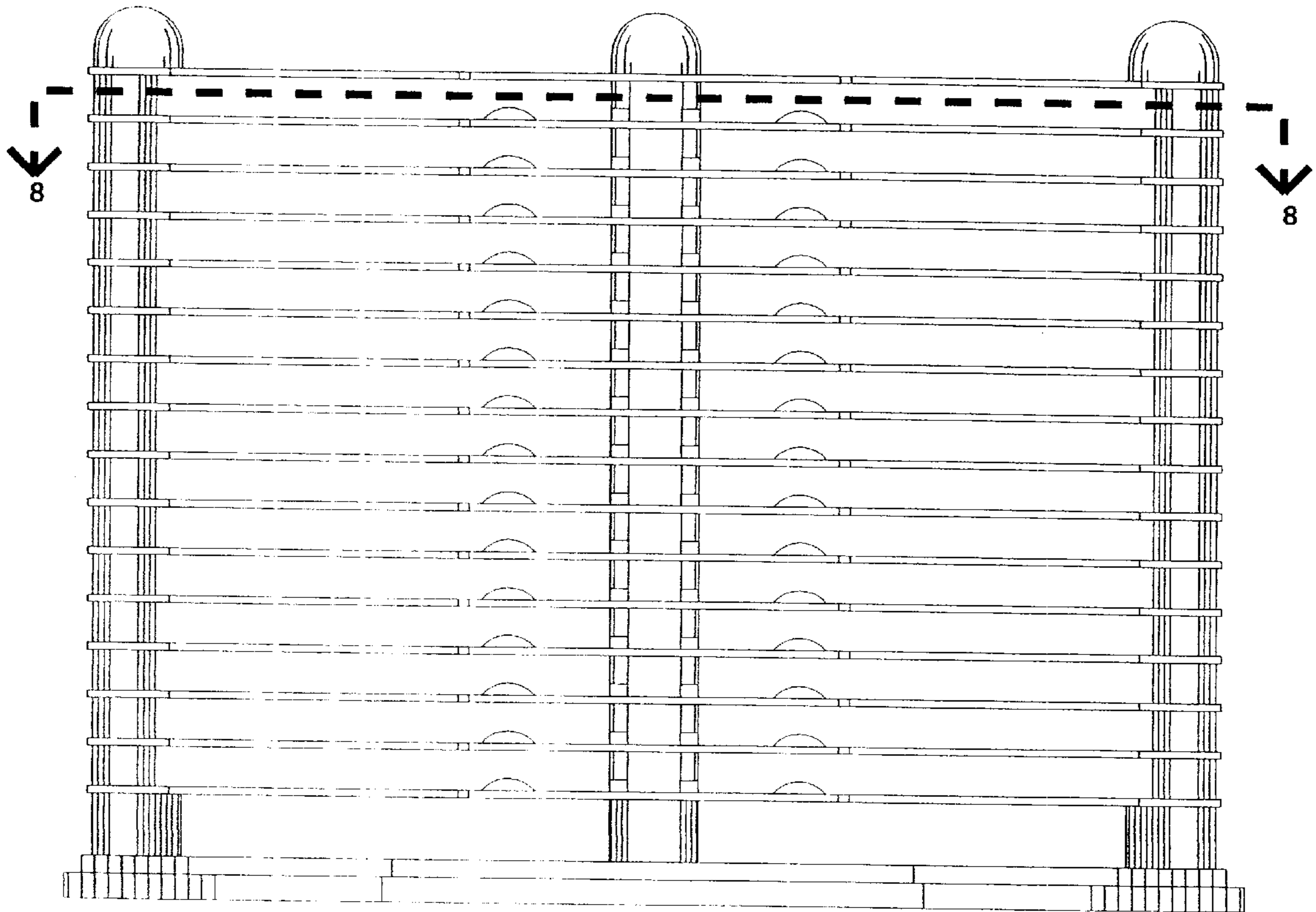


Figure 3

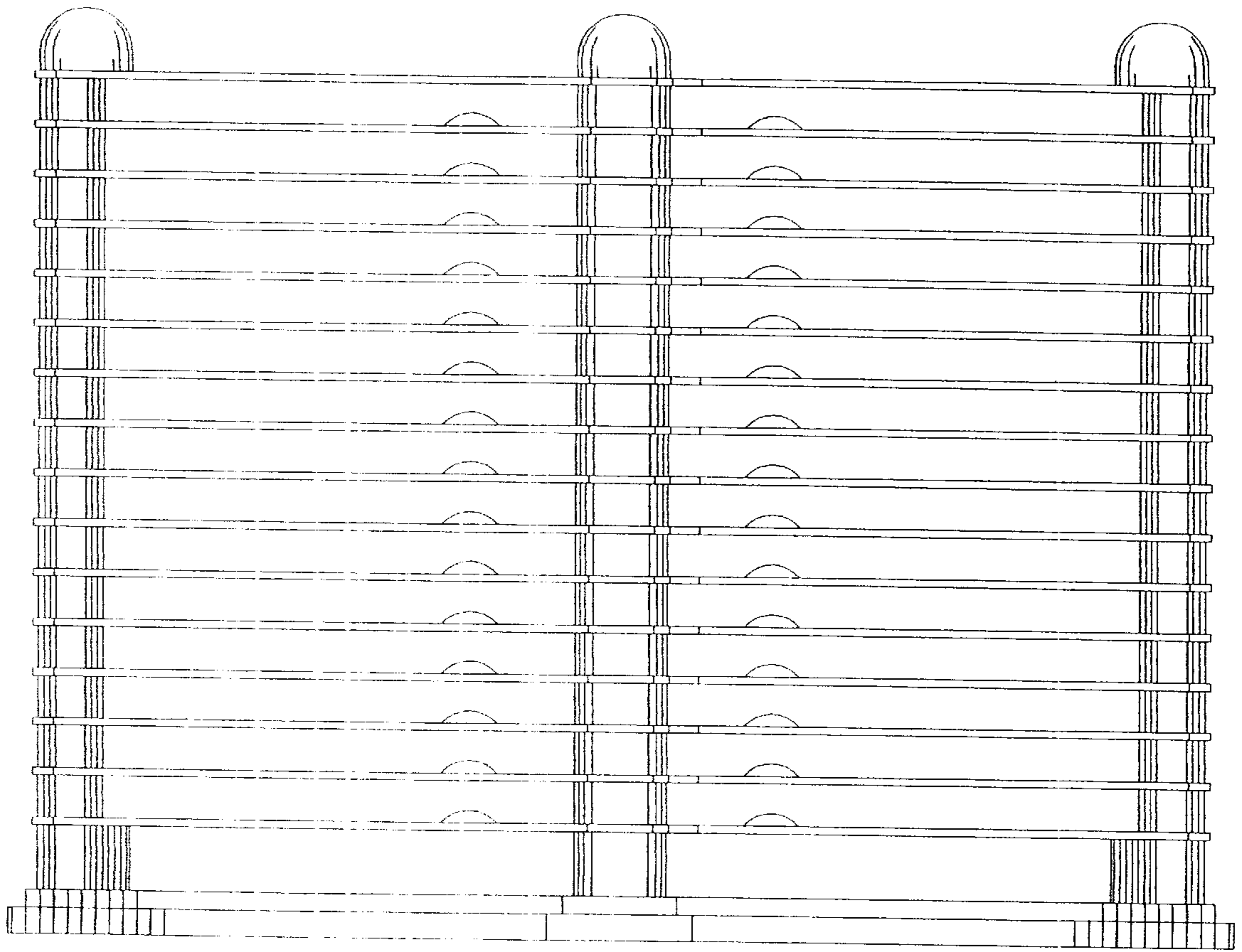


Figure 4

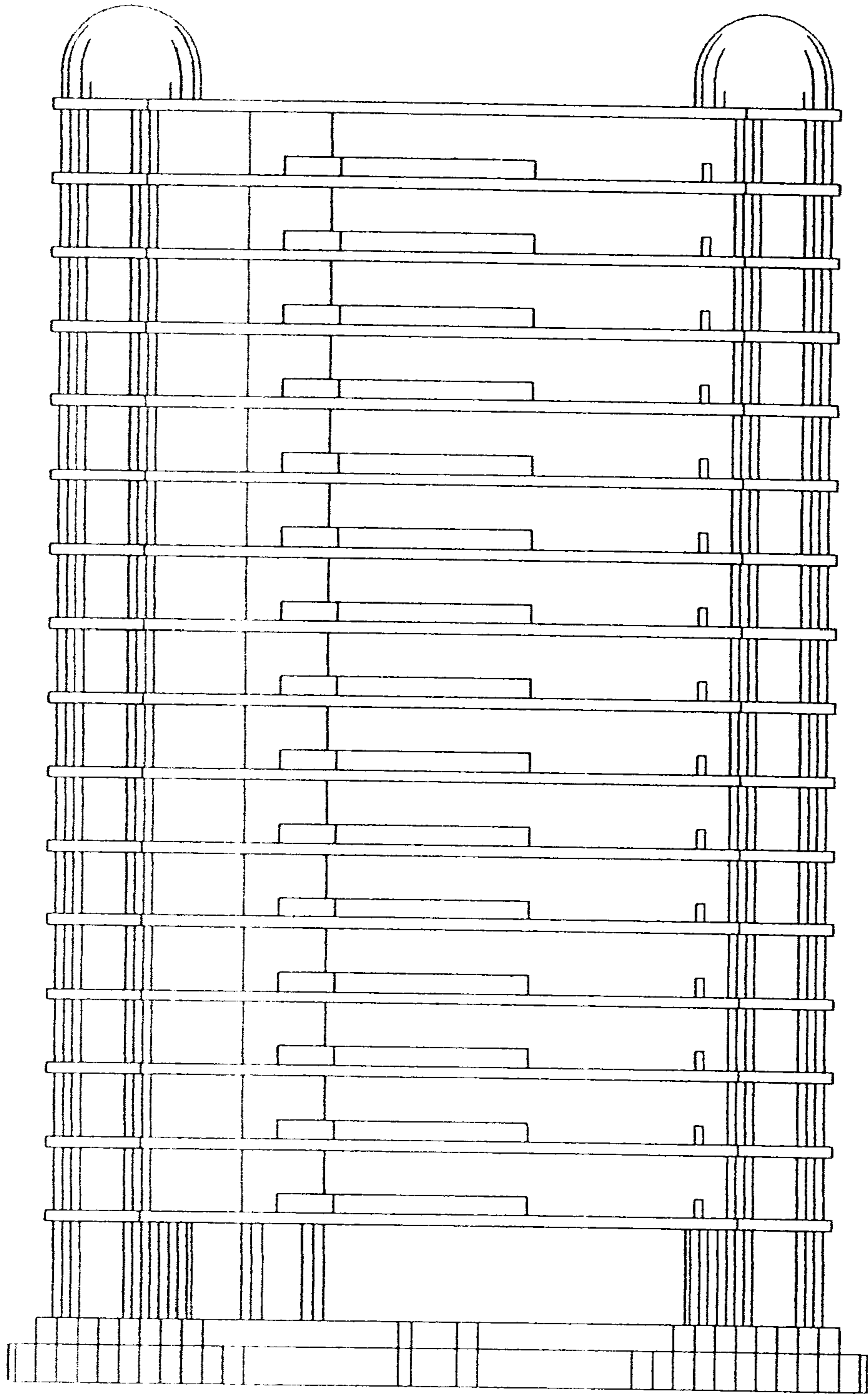


Figure 5

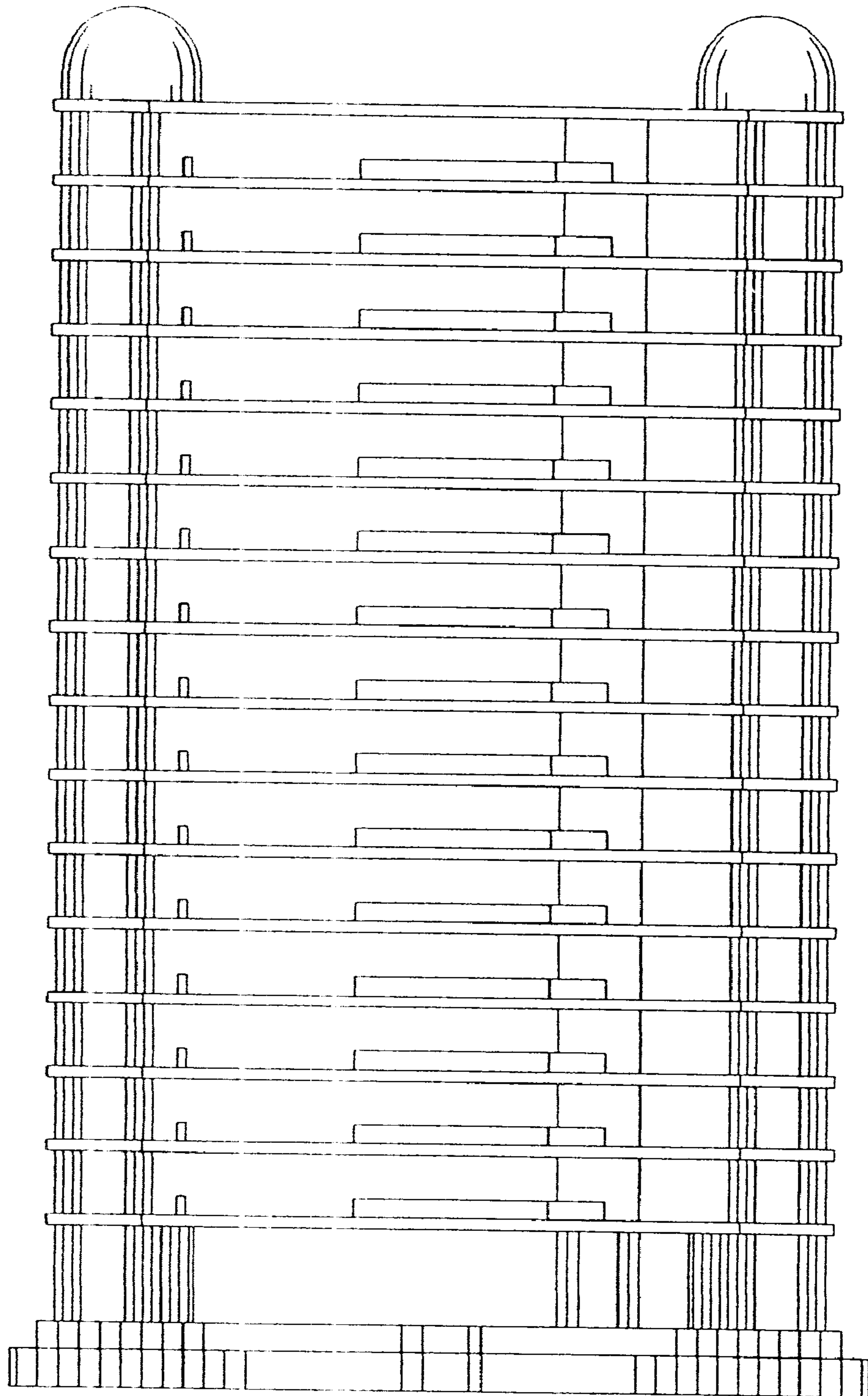


Figure 6

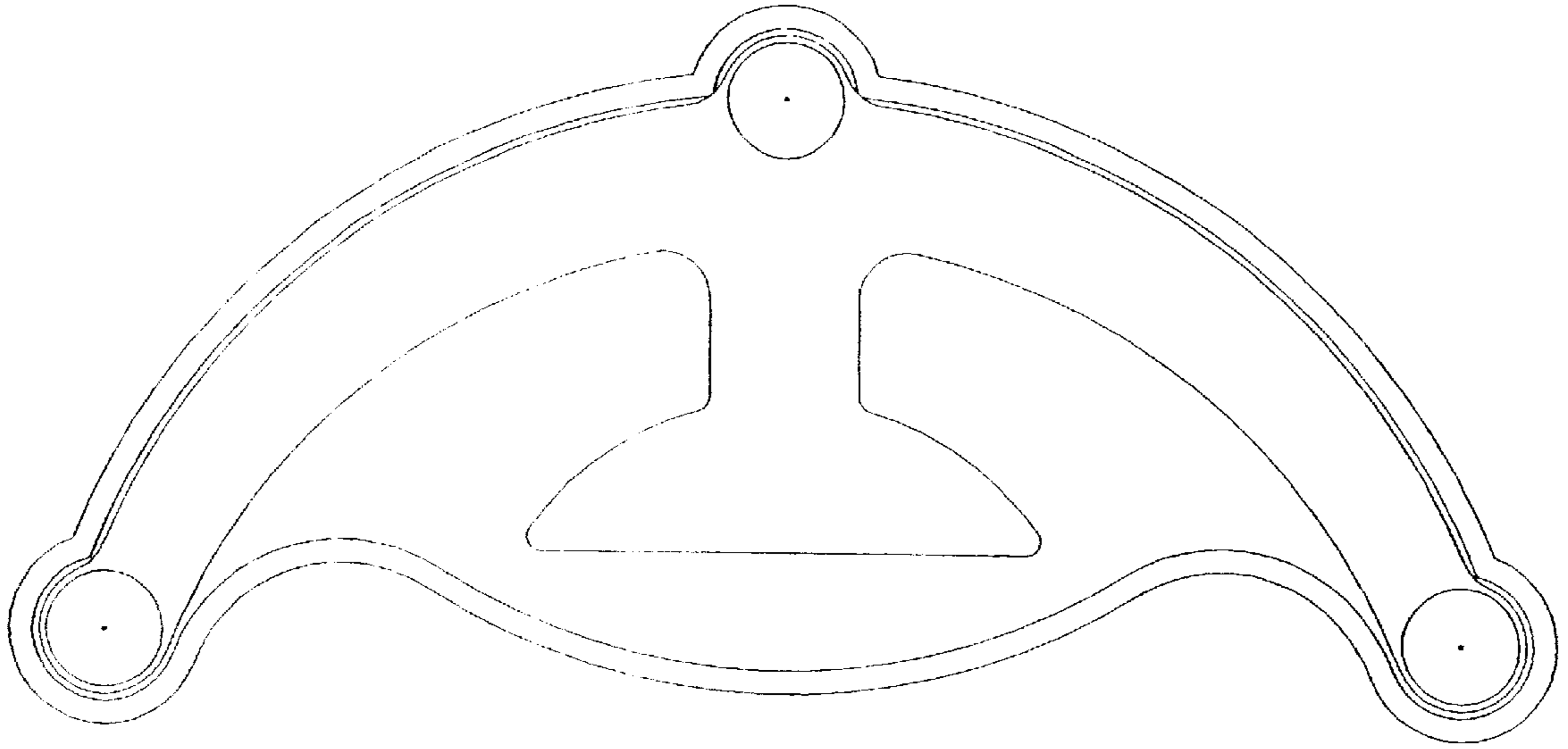


Figure 7

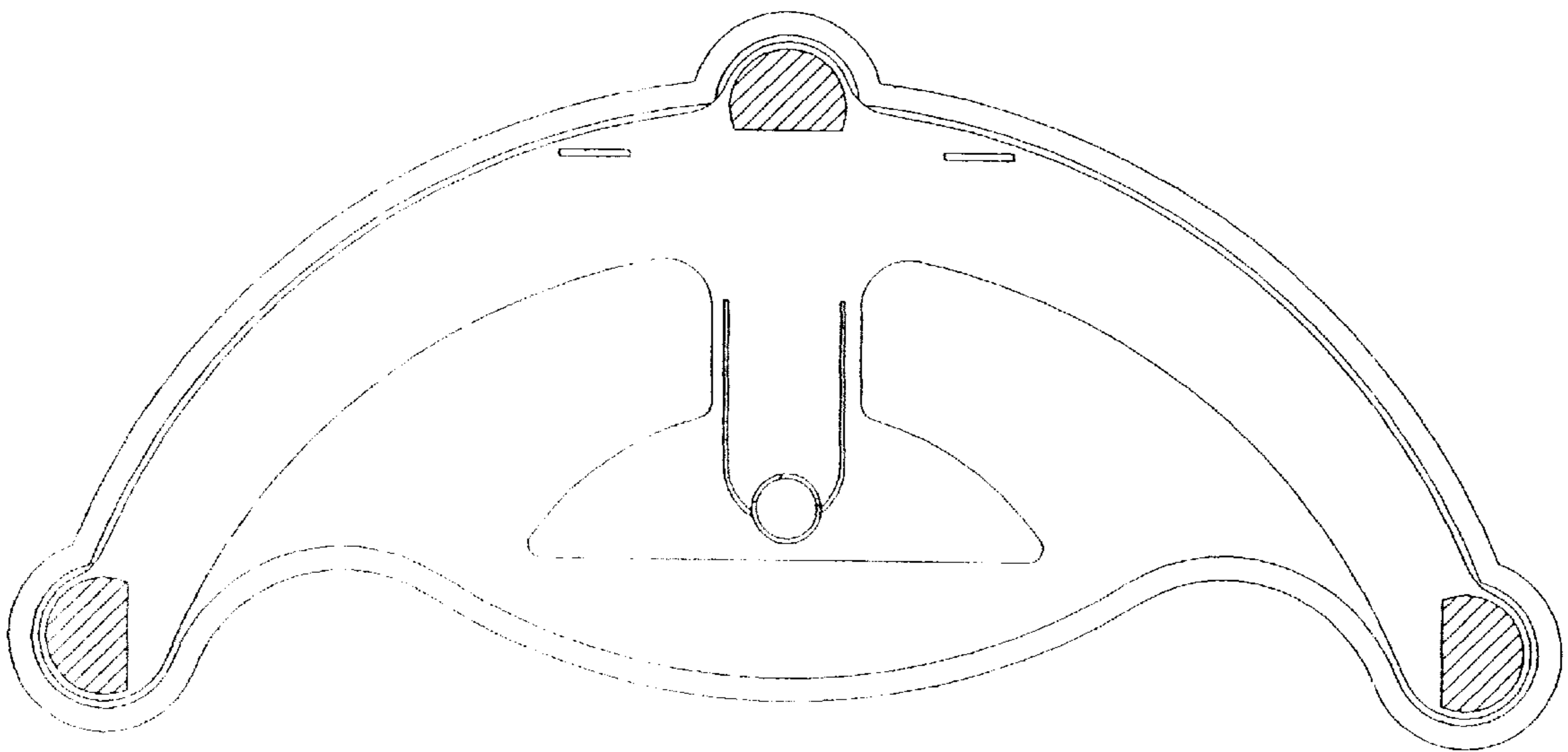


Figure 8