



US00D453652S

(12) **United States Design Patent**  
**Walker**

(10) **Patent No.:** **US D453,652 S**

(45) **Date of Patent:** **\*\* Feb. 19, 2002**

(54) **SHELF UNIT**

4,343,245 A \* 8/1982 Edwards ..... D6/570 X  
D444,017 S \* 6/2001 Walker ..... D6/562

(75) Inventor: **David L. Walker**, Chester, PA (US)

\* cited by examiner

(73) Assignee: **Zenith Products Corp.**, New Castle, DE (US)

*Primary Examiner*—Brian N. Vinson

(\*\*) Term: **14 Years**

(74) *Attorney, Agent, or Firm*—Edgar A. Zarins; Lloyd D. Doigan

(21) Appl. No.: **29/124,850**

(57) **CLAIM**

(22) Filed: **Jun. 13, 2000**

The ornamental design for a shelf unit, as shown and described.

(51) **LOC (7) Cl.** ..... **06-04**

**DESCRIPTION**

(52) **U.S. Cl.** ..... **D6/570**

(58) **Field of Search** ..... D6/553, 567, 574,  
D6/570; 211/13.1, 86.01, 87.01, 88.01,  
90.01, 126.1, 134; 108/59

FIG. 1 is a perspective view of a shelf unit showing my new design;

FIG. 2 is a front elevational view thereof;

FIG. 3 is a top plan view thereof;

FIG. 4 is a left side view thereof, the opposite side being a mirror image of the side shown; and,

FIG. 5 is a rear elevational view thereof.

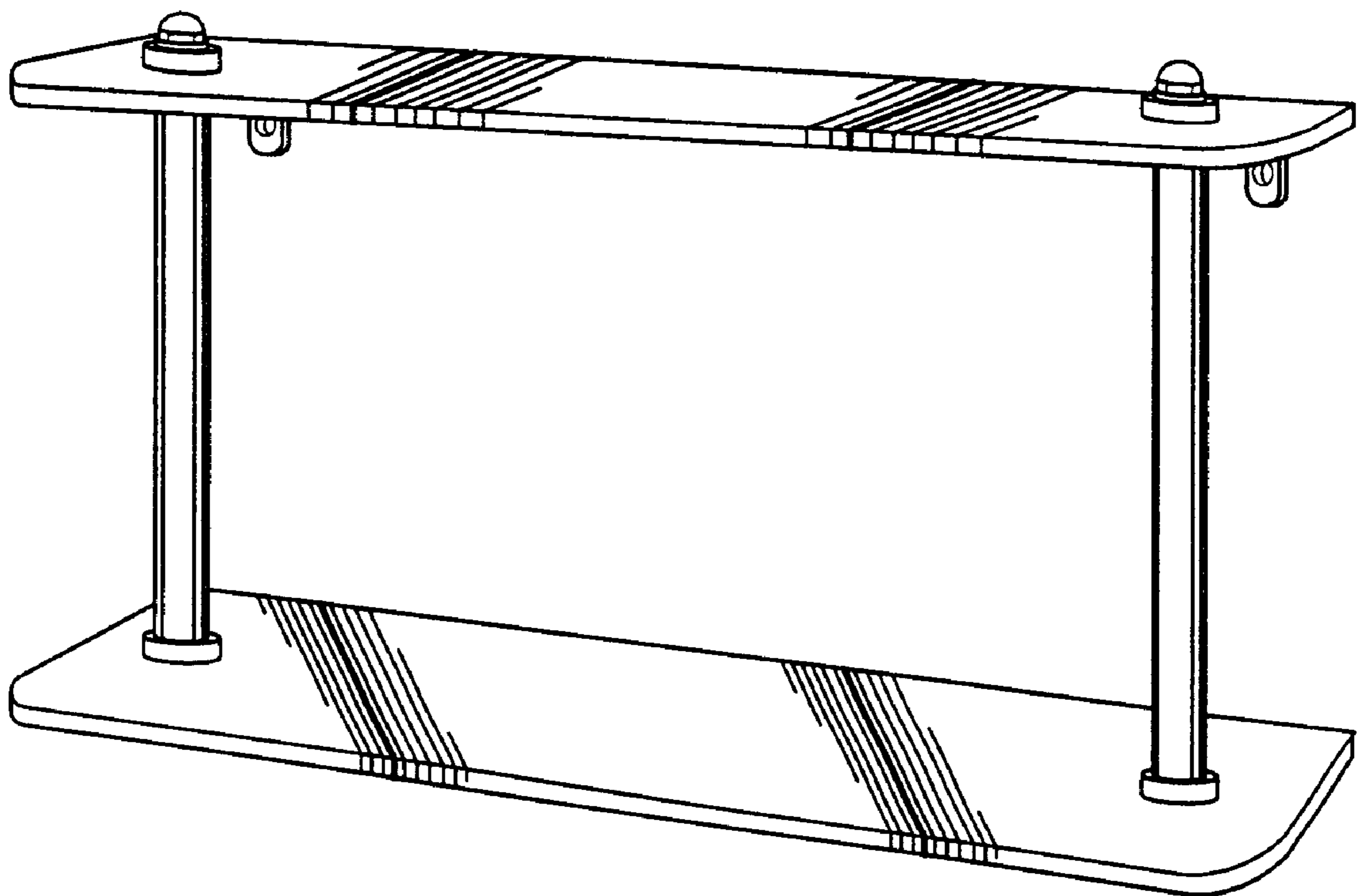
(56) **References Cited**

**U.S. PATENT DOCUMENTS**

D138,992 S \* 10/1944 Daum ..... D6/570

D141,824 S \* 7/1945 Daum ..... D6/570

**1 Claim, 2 Drawing Sheets**



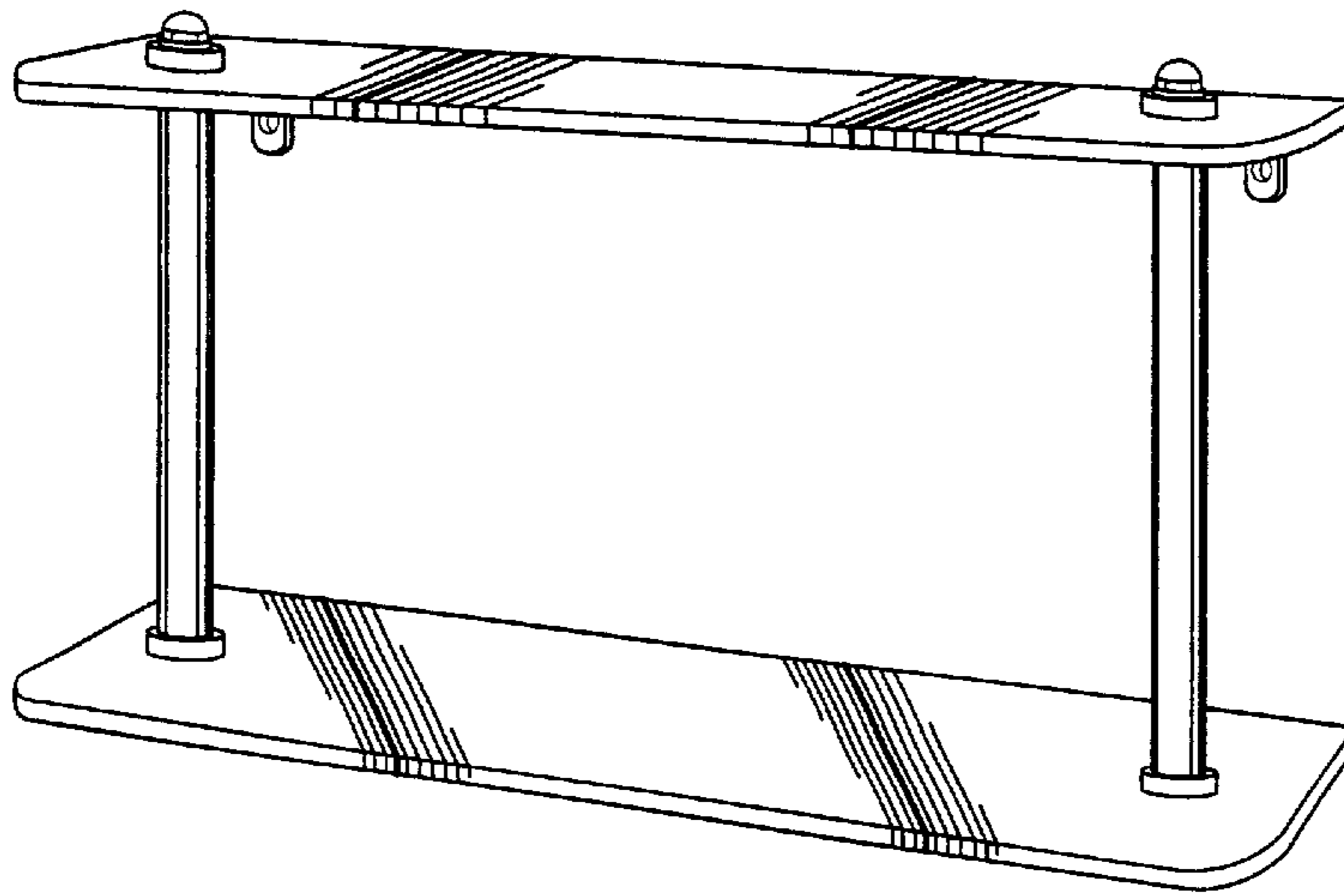


Fig-1

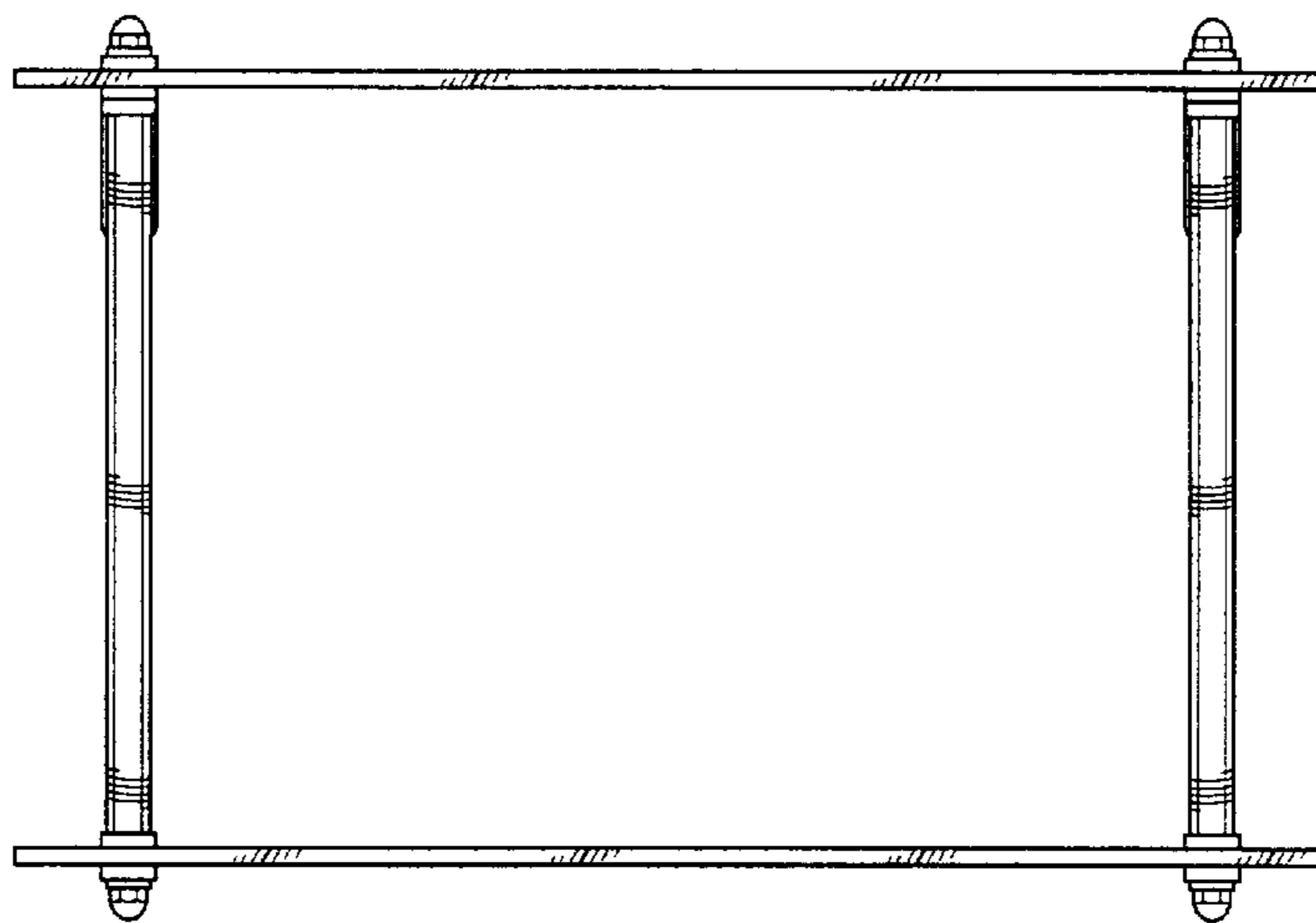


Fig-2

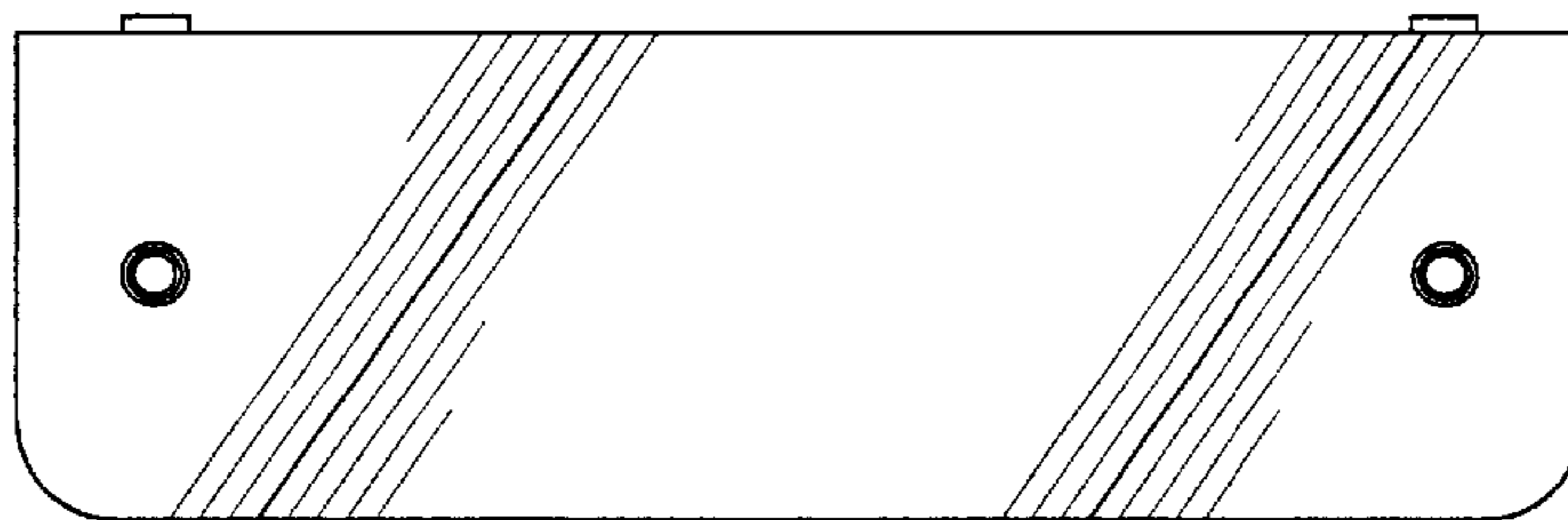


Fig-3

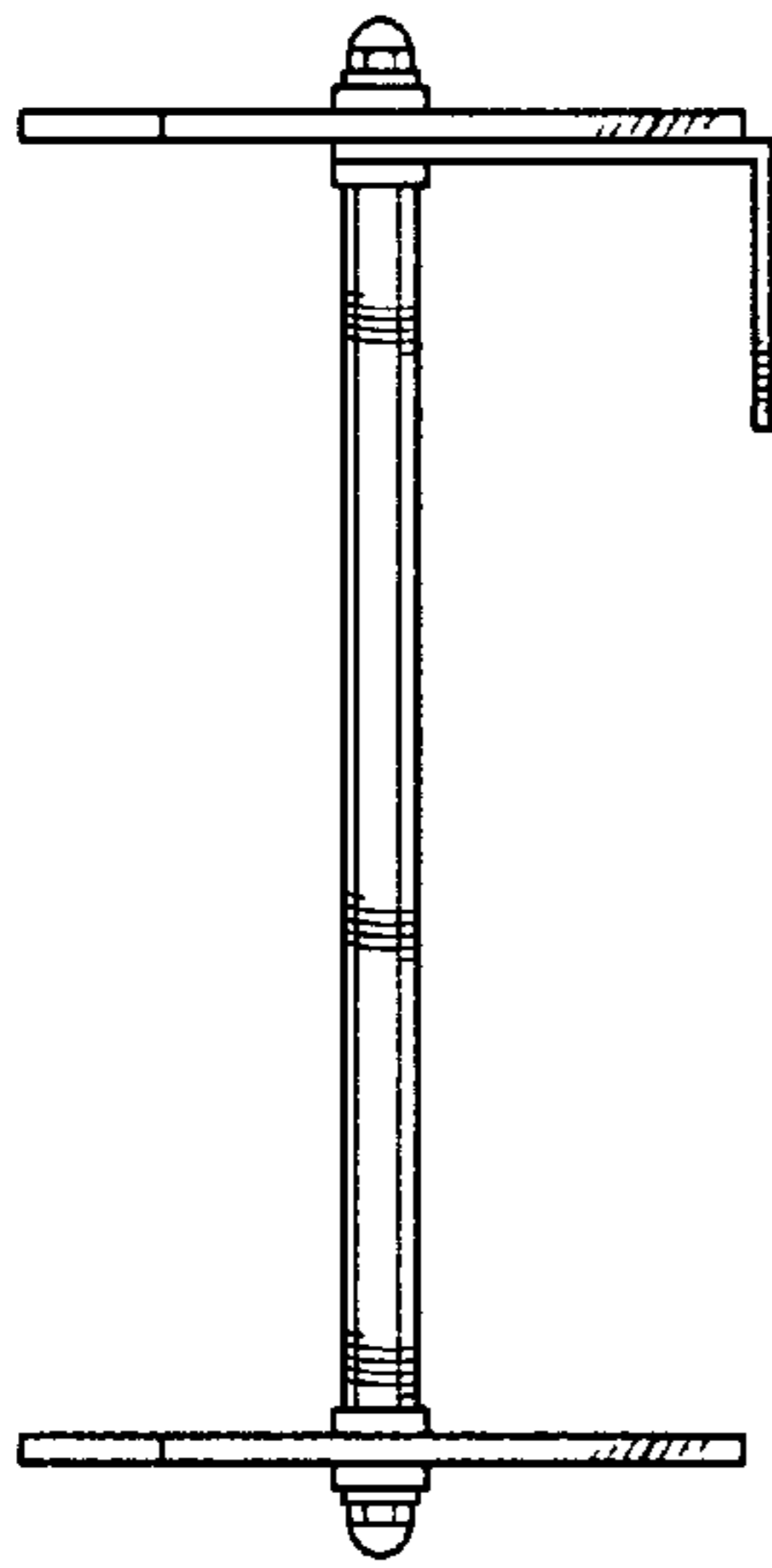


Fig-4

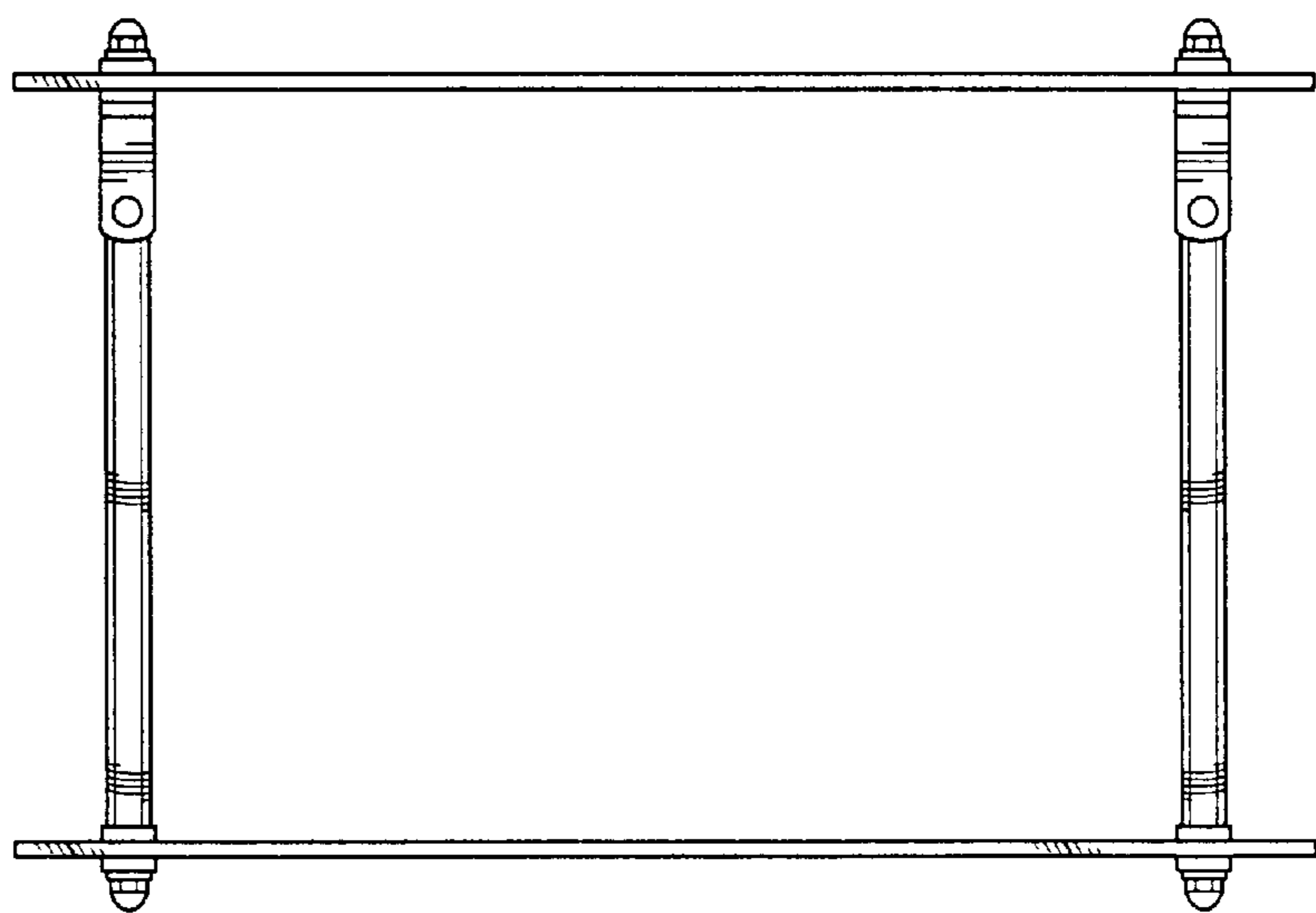


Fig-5