



US00D453649S

(12) **United States Design Patent**
Hoernig

(10) **Patent No.:** **US D453,649 S**

(45) **Date of Patent:** **** Feb. 19, 2002**

(54) **TOWEL BAR**

(75) Inventor: **Victor Hoernig**, Lowell, IN (US)

(73) Assignee: **Melard Manufacturing Corp.**, Passaic, NJ (US)

(**) Term: **14 Years**

(21) Appl. No.: **29/136,704**

(22) Filed: **Feb. 6, 2001**

(51) **LOC (7) Cl.** **06-04**

(52) **U.S. Cl.** **D6/548; D6/549**

(58) **Field of Search** D6/546-50, 518,
D6/522-24; D8/300, 315-21, 354, 363,
373, 380; 108/28-29; 211/13.1, 16, 60.1,
86.01, 87.01, 88.04, 100, 105.1-105.2,
123, 181.1, 182; 248/175, 176.1, 251, 302;
16/110.1, 412, 415; 242/570, 590, 595-598;
206/389

(56) **References Cited**

U.S. PATENT DOCUMENTS

2,315,566	A	*	4/1943	Watrall et al.	211/123	X
D327,598	S	*	7/1992	Emery	D6/549	
D392,138	S	*	3/1998	Wu	D6/549	
D406,484	S	*	3/1999	Wu	D6/566	

OTHER PUBLICATIONS

Smedbo "Villa Bath" Catalogue p. 4 Double Towel Bar K236.*

* cited by examiner

Primary Examiner—Brian N. Vinson

(74) *Attorney, Agent, or Firm*—Edgar A. Zarins; Lloyd D. Doigan

(57) **CLAIM**

The ornamental design for a towel bar, as shown and described.

DESCRIPTION

FIG. 1 is a perspective view of a towel bar showing my new design;

FIG. 2 is a front elevational view thereof;

FIG. 3 is a top plan view thereof;

FIG. 4 is a right side view thereof;

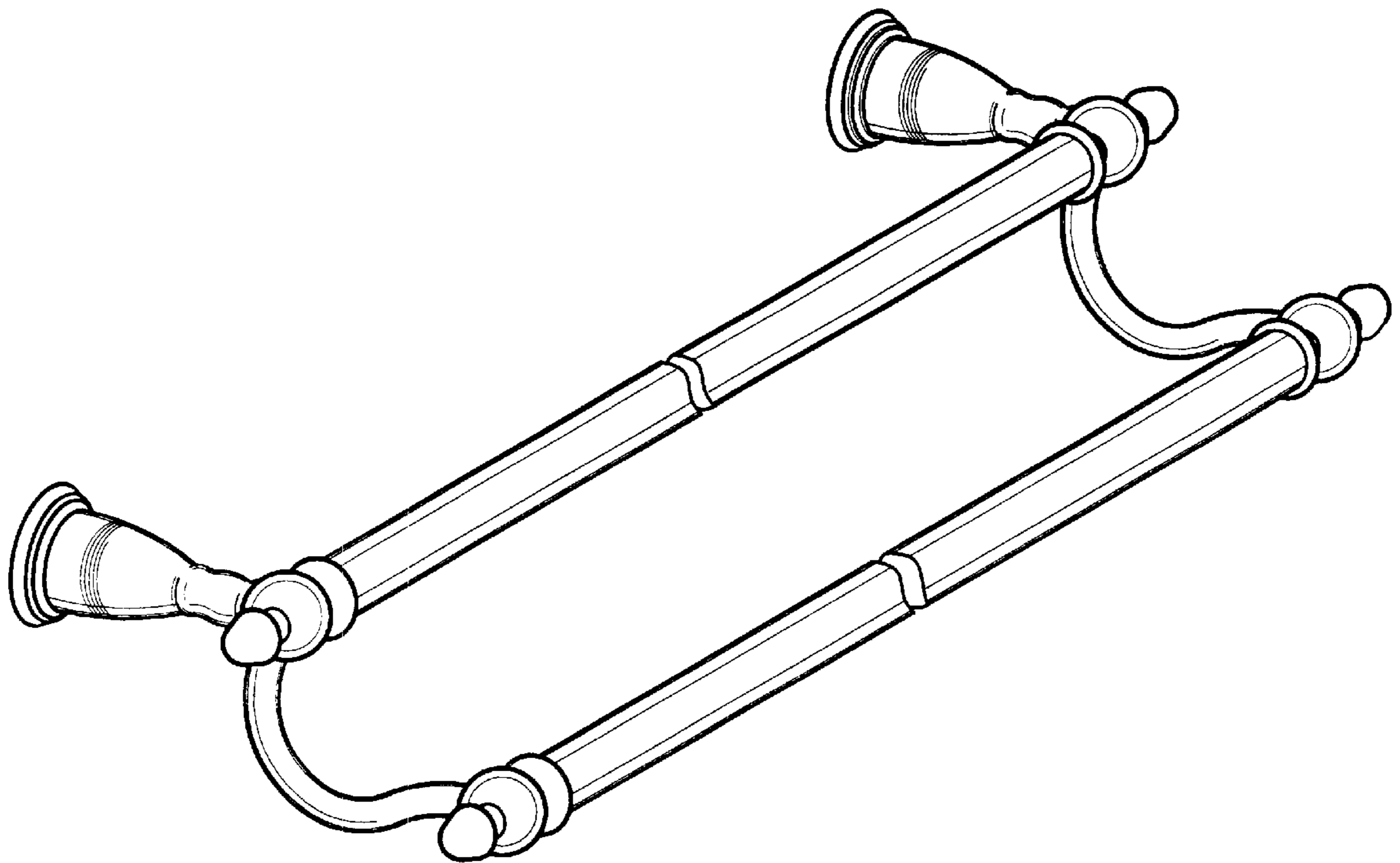
FIG. 5 is a left side view thereof;

FIG. 6 is a bottom plan view thereof; and,

FIG. 7 is rear elevational view thereof.

The towel bar is shown broken-away in the views to indicate indeterminate length.

1 Claim, 3 Drawing Sheets



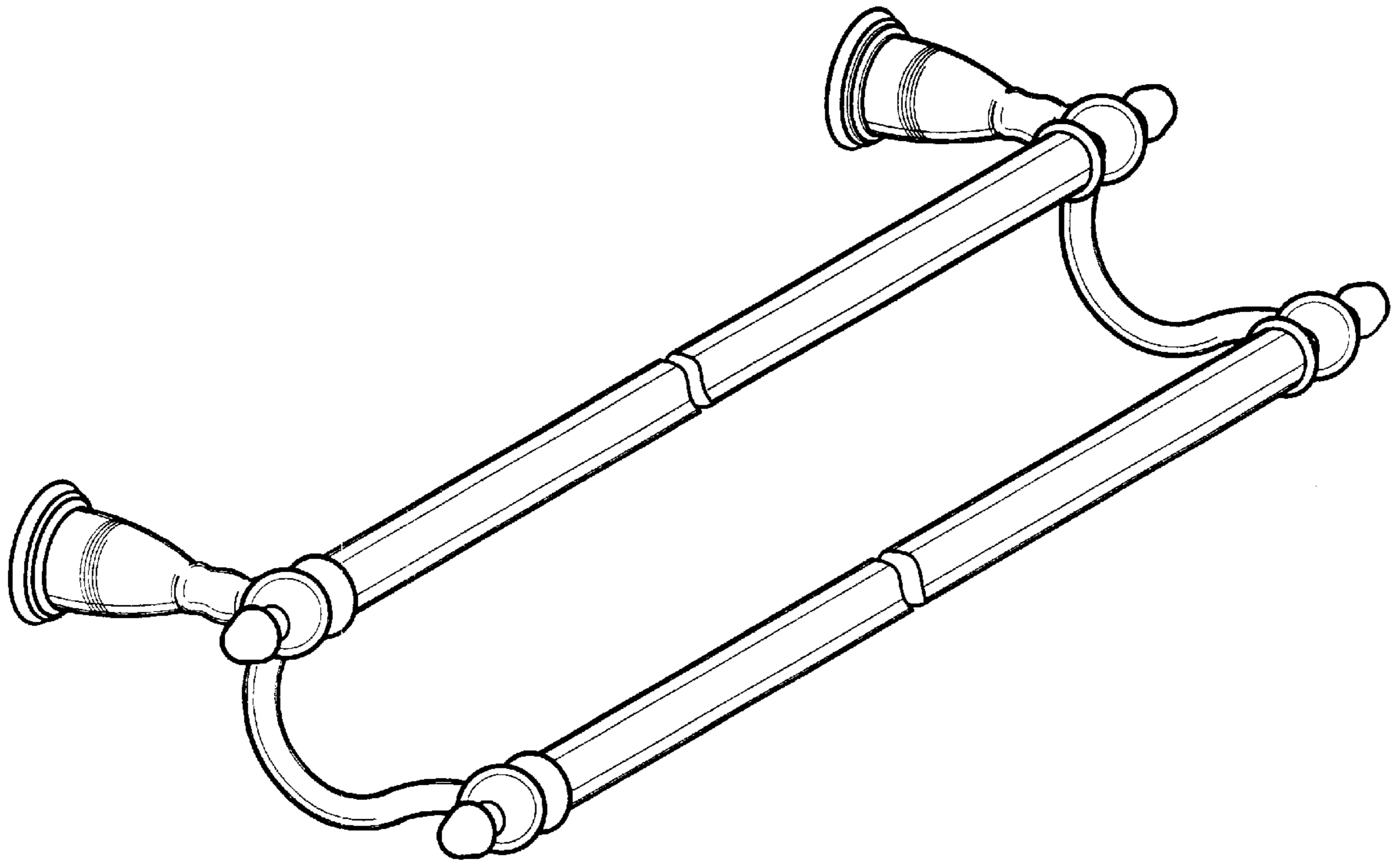


Fig-1

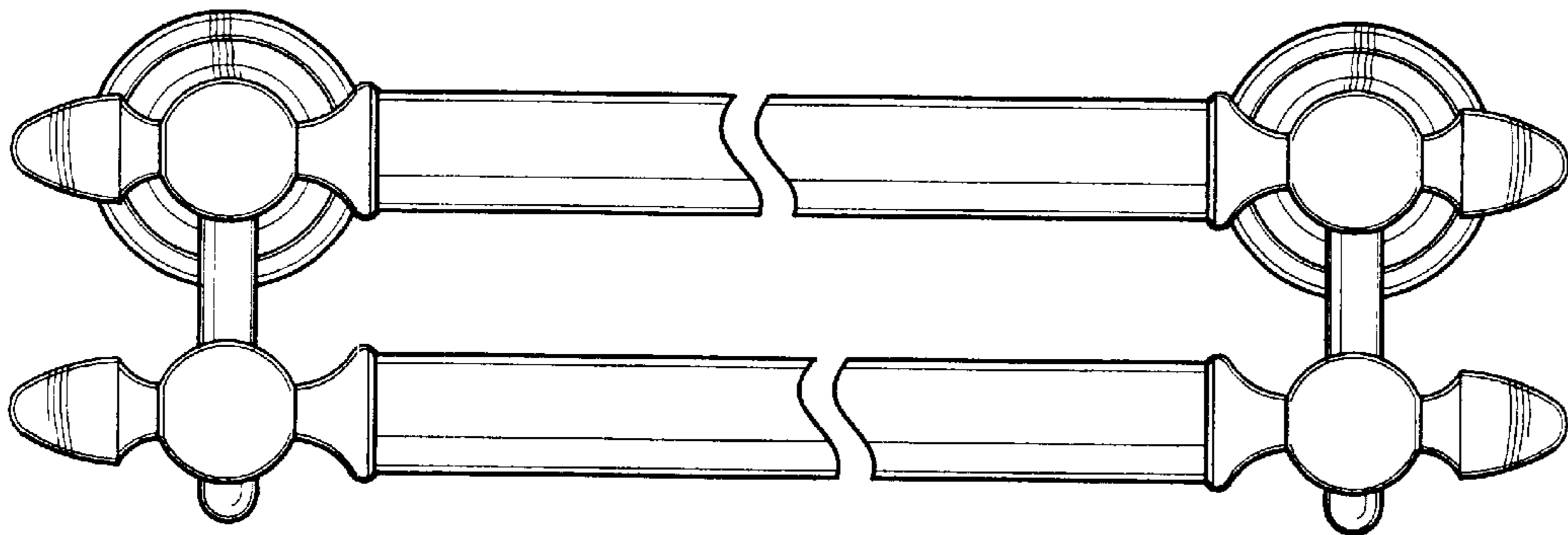


Fig-2

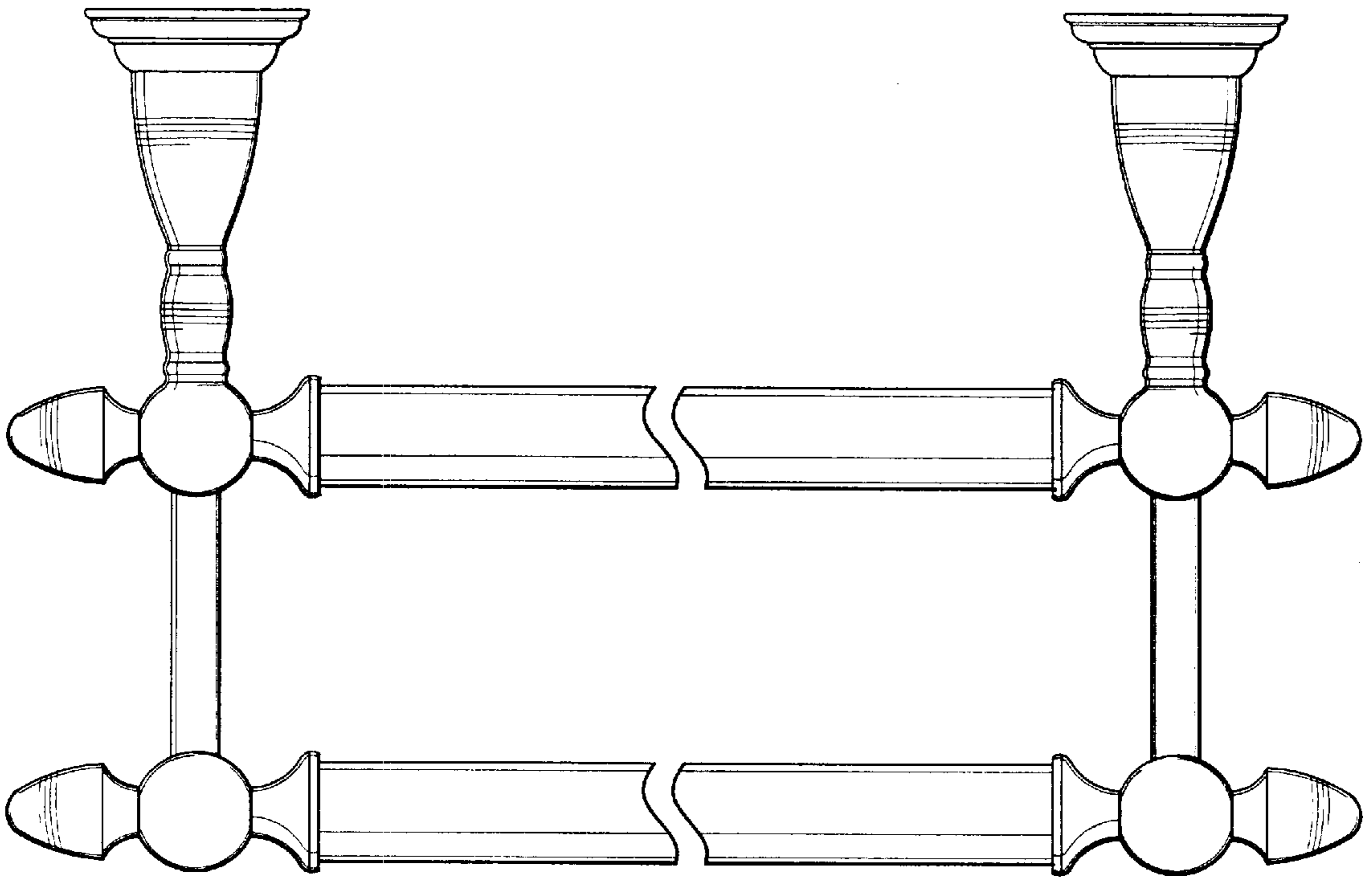


Fig-3

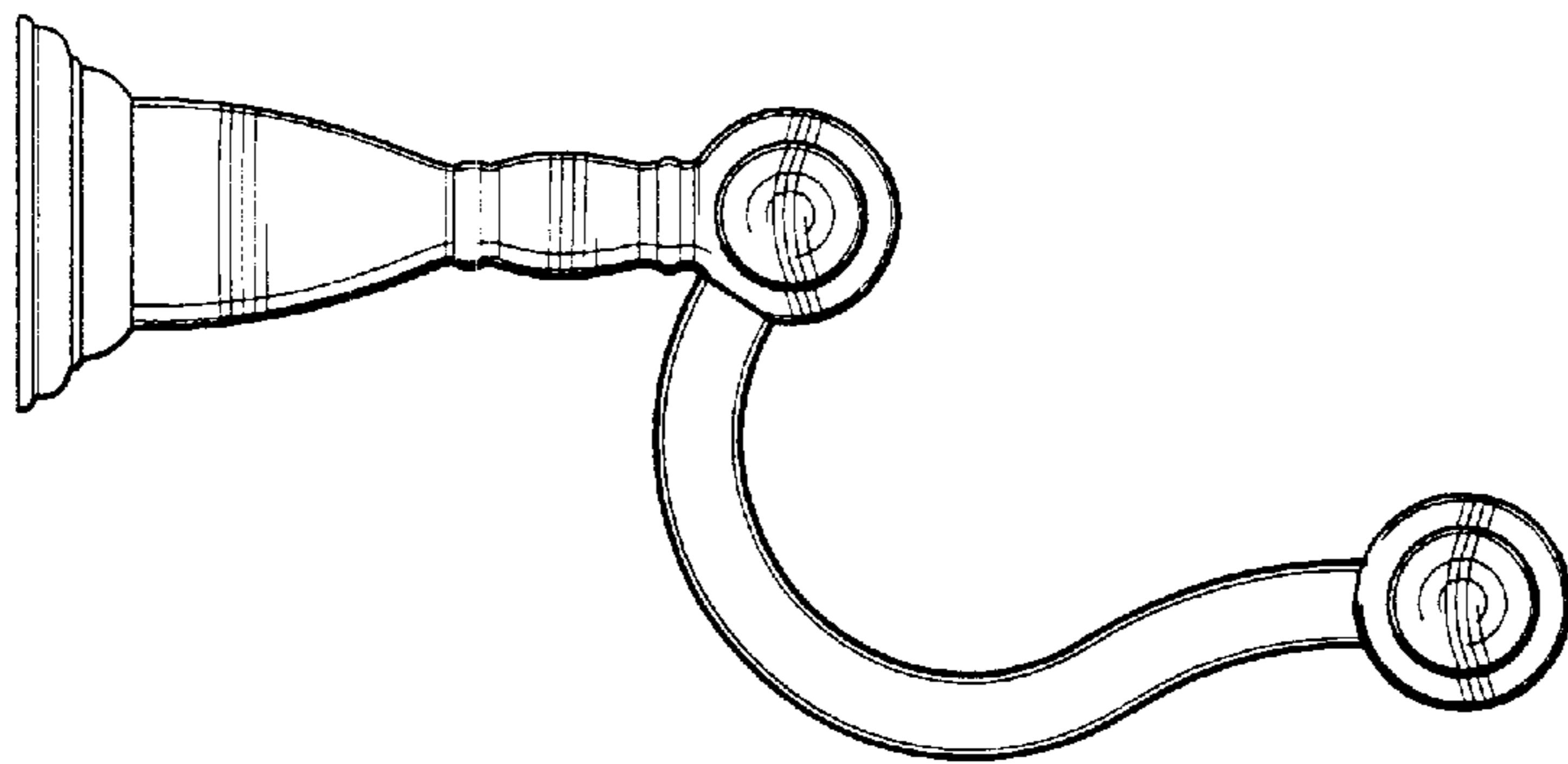


Fig-4

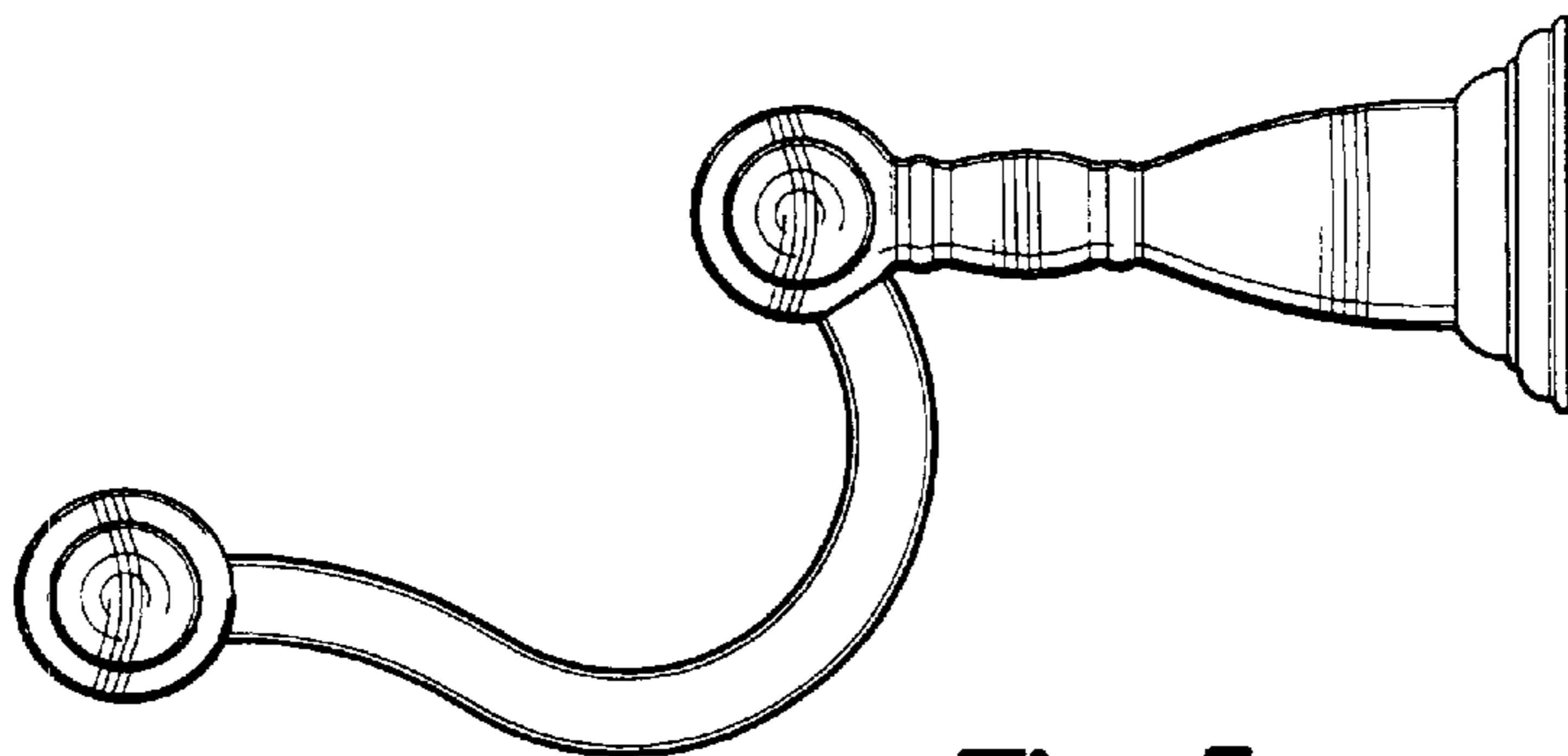


Fig-5

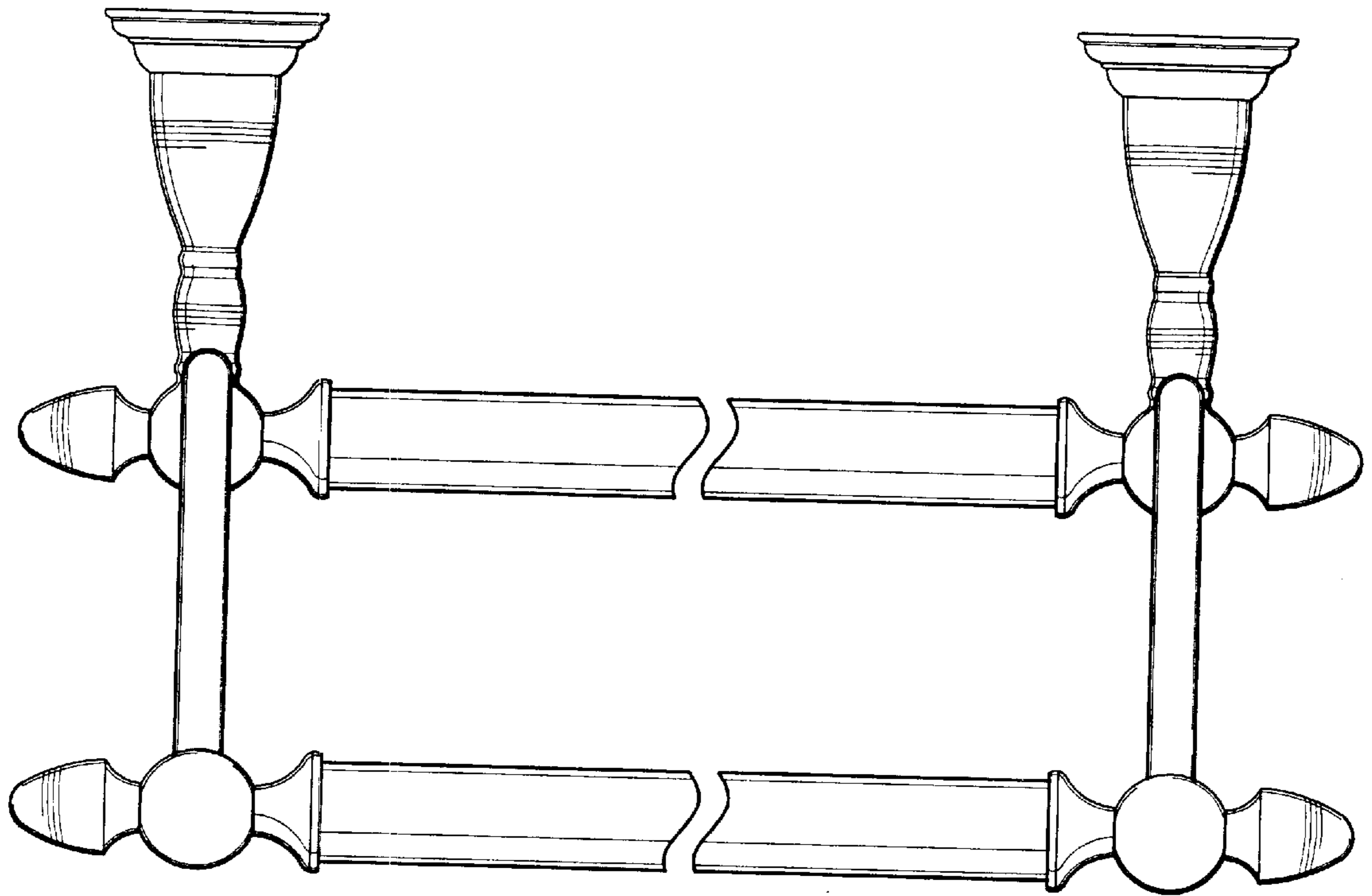


Fig-6

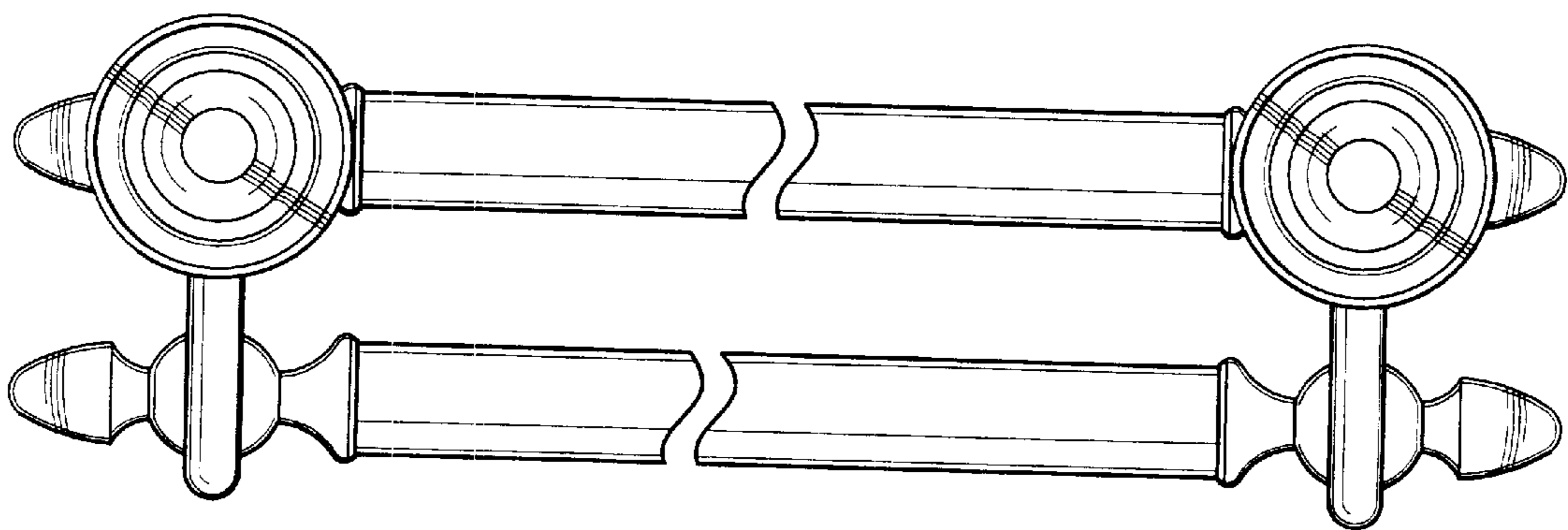


Fig-7