



US00D453648S

(12) **United States Design Patent**
Gottwald

(10) **Patent No.:** **US D453,648 S**

(45) **Date of Patent:** **** Feb. 19, 2002**

(54) **SOAP DISPENSER WITH HOLDER**

(75) Inventor: **Adolf Gottwald, Iserlohn (DE)**

(73) Assignee: **Friedrich Grohe AG & Co. KG,**
Hemer (DE)

(**) Term: **14 Years**

(21) Appl. No.: **29/142,609**

(22) Filed: **May 30, 2001**

(30) **Foreign Application Priority Data**

Dec. 2, 2000 (DE) 4 00 11 471

(51) **LOC (7) Cl.** **23-02**

(52) **U.S. Cl.** **D6/545**

(58) **Field of Search** D6/542-545; 222/92,
222/105, 173, 180, 181.1; 221/282-283

(56) **References Cited**

U.S. PATENT DOCUMENTS

D399,085 S * 10/1998 Warshawsky D6/545

D405,997 S * 2/1999 Mahlmann D6/545

D425,351 S * 5/2000 Rhodenbaugh D6/545

D437,161 S * 2/2001 Fiegl et al. D6/545

* cited by examiner

Primary Examiner—Brian N. Vinson

(74) *Attorney, Agent, or Firm*—Herbert Dubno

(57) **CLAIM**

The ornamental design for a soap dispenser with holder, as shown and described.

DESCRIPTION

FIG. 1 is a top, front, left-side perspective view of a soap dispenser with holder showing my new design;

FIG. 2 is a bottom plan view thereof;

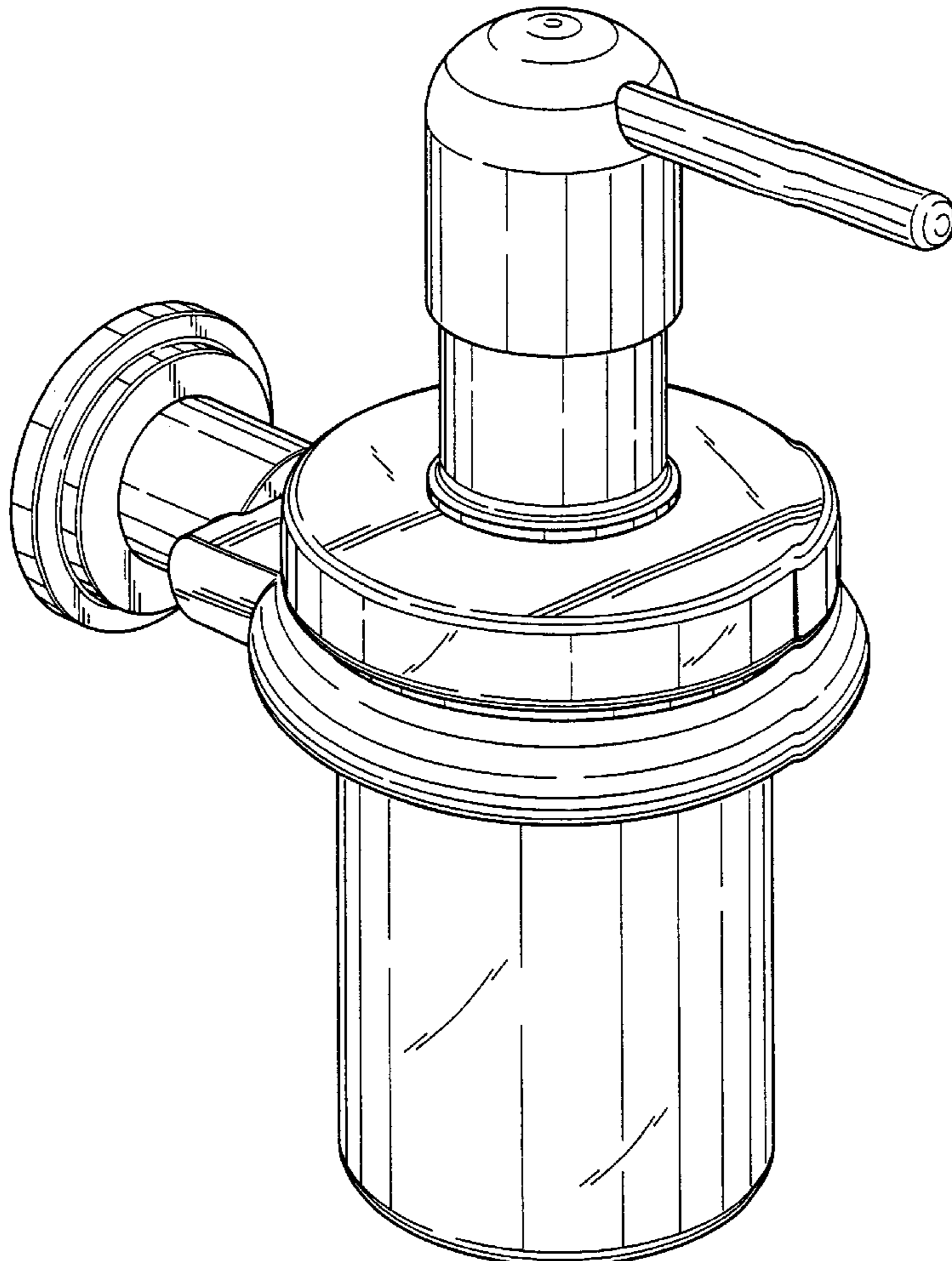
FIG. 3 is a top plan view thereof;

FIG. 4 is a right side elevational view thereof, the left side view being mirror symmetrical thereto;

FIG. 5 is a front elevational view thereof; and,

FIG. 6 is a rear elevational view thereof.

1 Claim, 3 Drawing Sheets



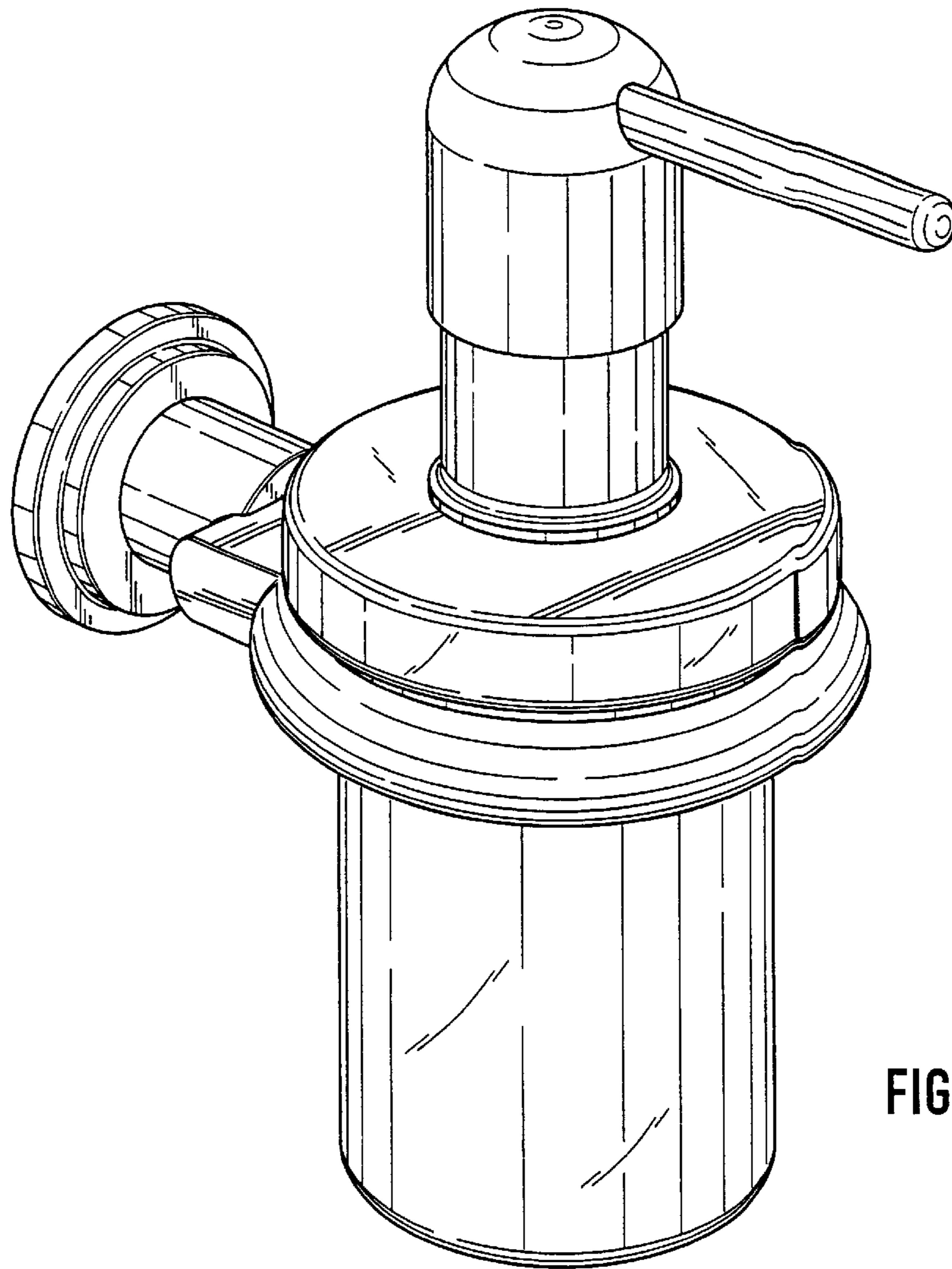


FIG. 1

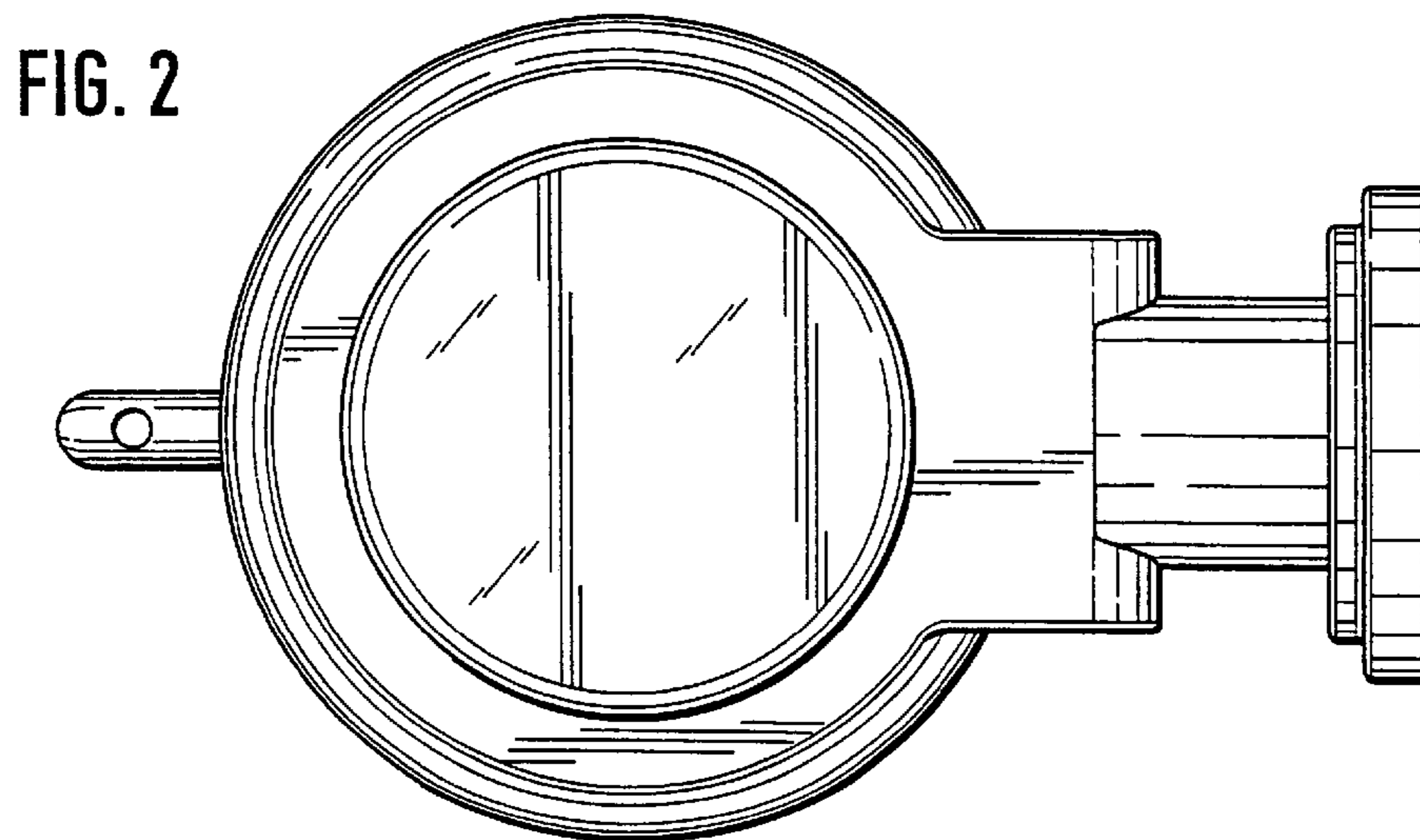


FIG. 2

FIG. 3

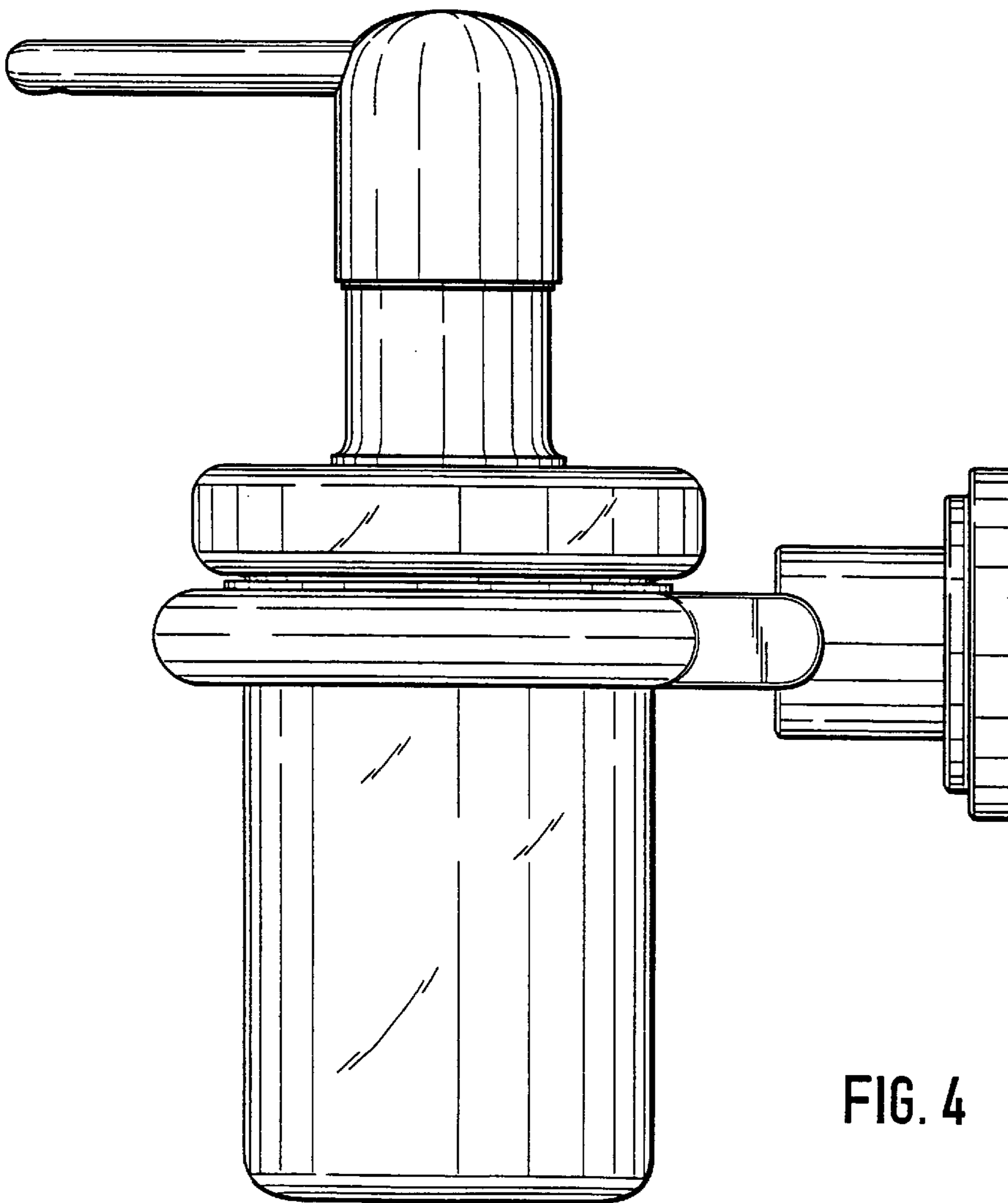
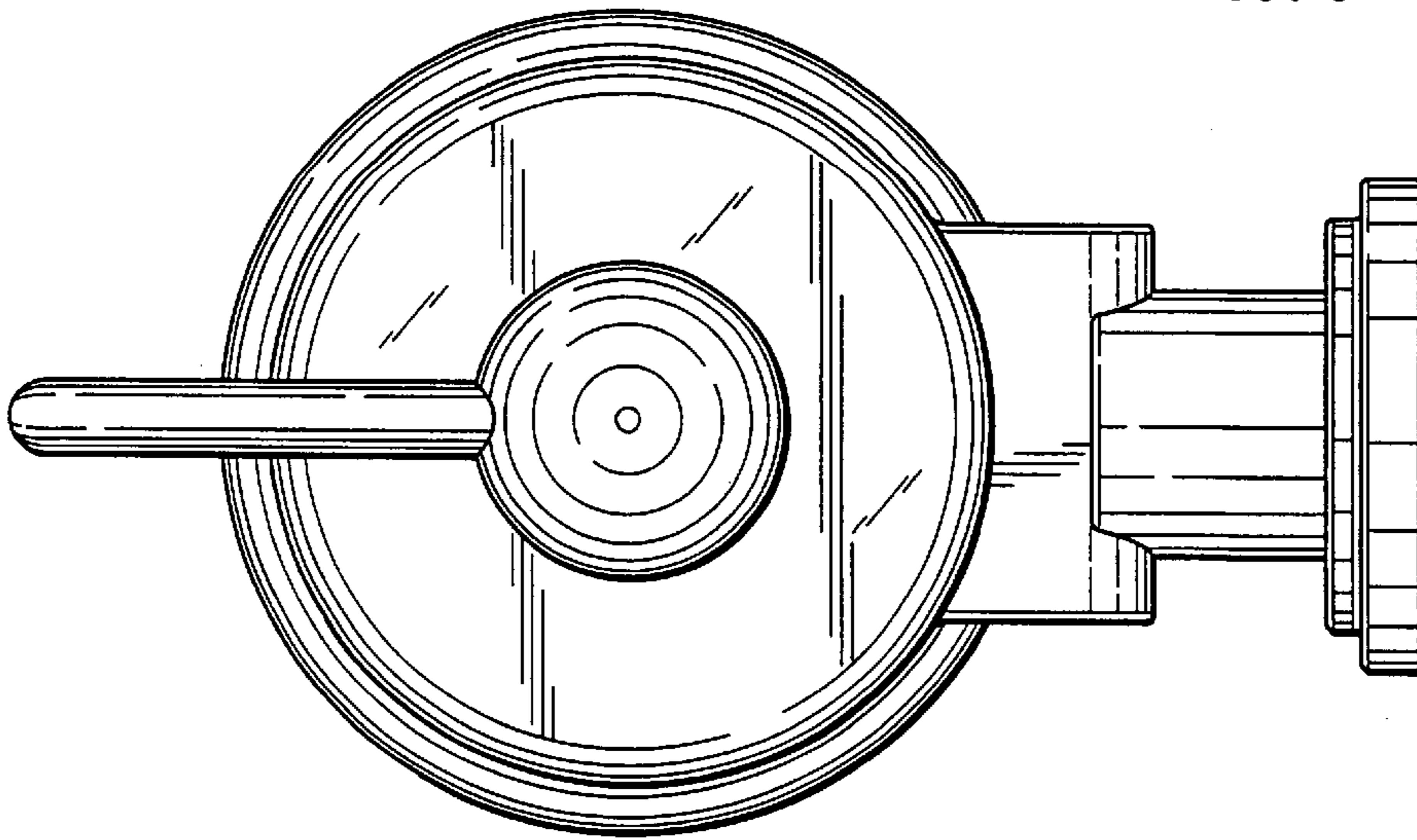


FIG. 4

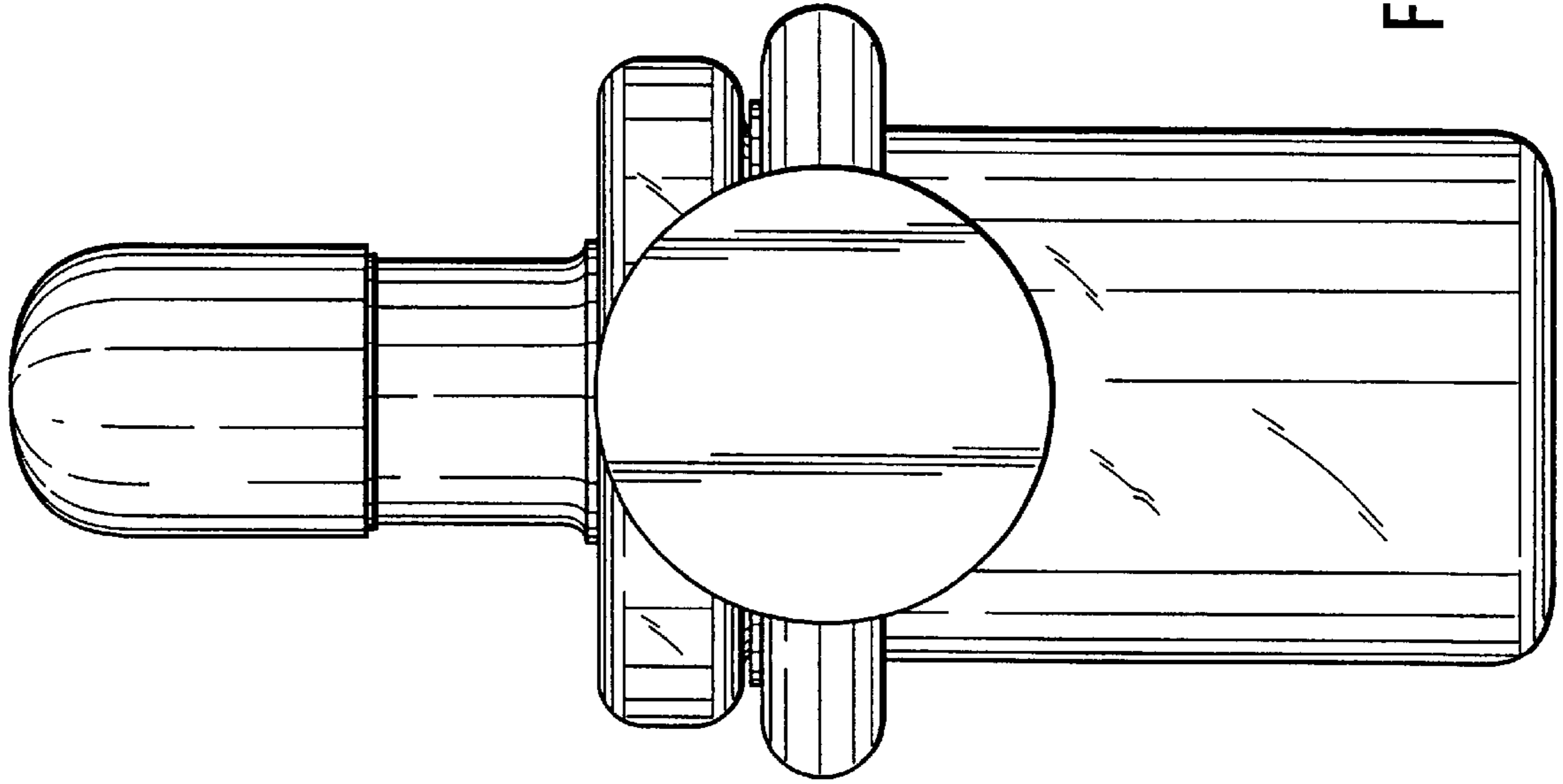


FIG. 5

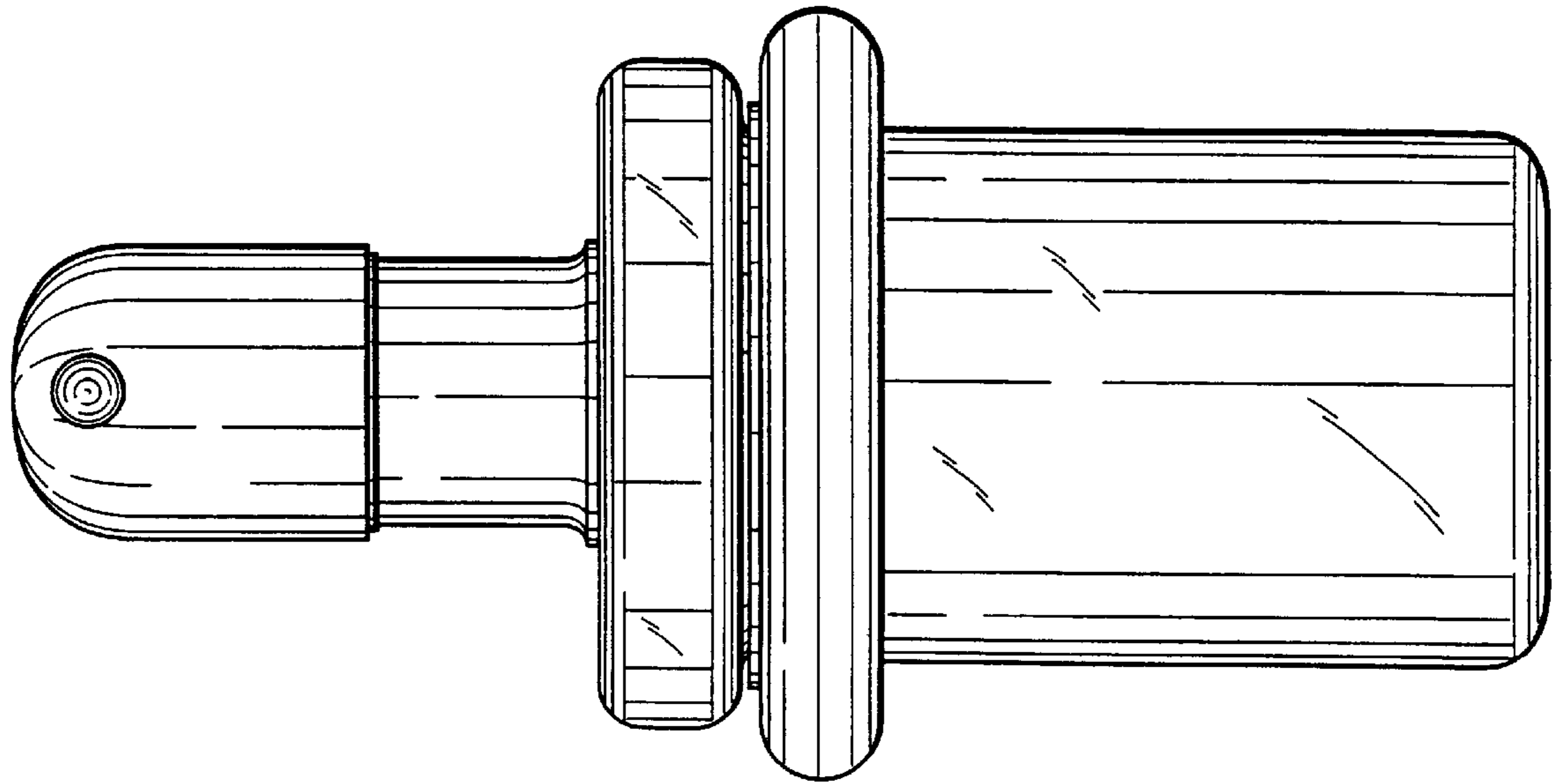


FIG. 6