



US00D453647S

(12) **United States Design Patent**
Gottwald

(10) **Patent No.:** **US D453,647 S**

(45) **Date of Patent:** **** Feb. 19, 2002**

(54) **SOAP HOLDER**

(75) **Inventor:** **Adolf Gottwald, Iserlohn (DE)**

(73) **Assignee:** **Friedrich Grohe AG & Co. KG,**
Hemer (DE)

(**) **Term:** **14 Years**

(21) **Appl. No.:** **29/142,604**

(22) **Filed:** **May 30, 2001**

(30) **Foreign Application Priority Data**

Dec. 1, 2000 (DE) 400 11 471

(51) **LOC (7) Cl.** **23-02**

(52) **U.S. Cl.** **D6/540**

(58) **Field of Search** D6/536-540; 211/13.1,
211/86.01, 88.01, 71.01, 126.1, 134; 206/77.1

(56) **References Cited**

U.S. PATENT DOCUMENTS

D356,708 S * 3/1995 Shames et al. D6/540 X

D416,153 S * 11/1999 Chen D6/540 X

D424,349 S * 5/2000 Duggan D6/540

D440,801 S * 4/2001 Gottwald D6/540

D444,976 S * 7/2001 Hundley D6/540

* cited by examiner

Primary Examiner—Brian N. Vinson

(74) *Attorney, Agent, or Firm*—Herbert Dubno

(57) **CLAIM**

The ornamental design for a soap holder, as shown and described.

DESCRIPTION

FIG. 1 is a top, front, left-side perspective view of a soap holder showing my new design;

FIG. 2 is a bottom plan view thereof;

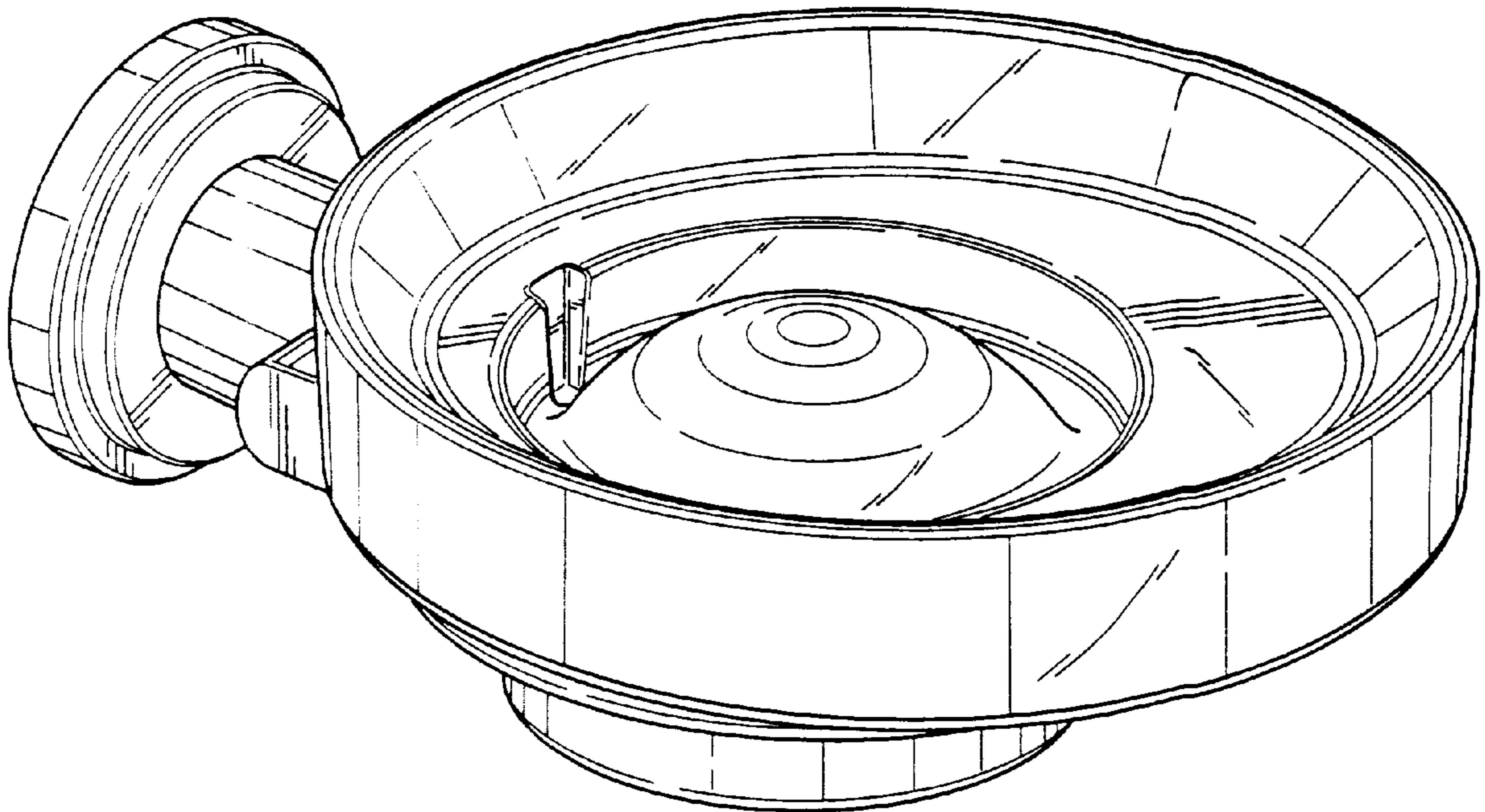
FIG. 3 is a top plan view thereof;

FIG. 4 is a right side elevational view thereof, the left side view being mirror symmetrical thereto;

FIG. 5 is a rear elevational view thereof; and,

FIG. 6 is a front elevational view thereof.

1 Claim, 3 Drawing Sheets



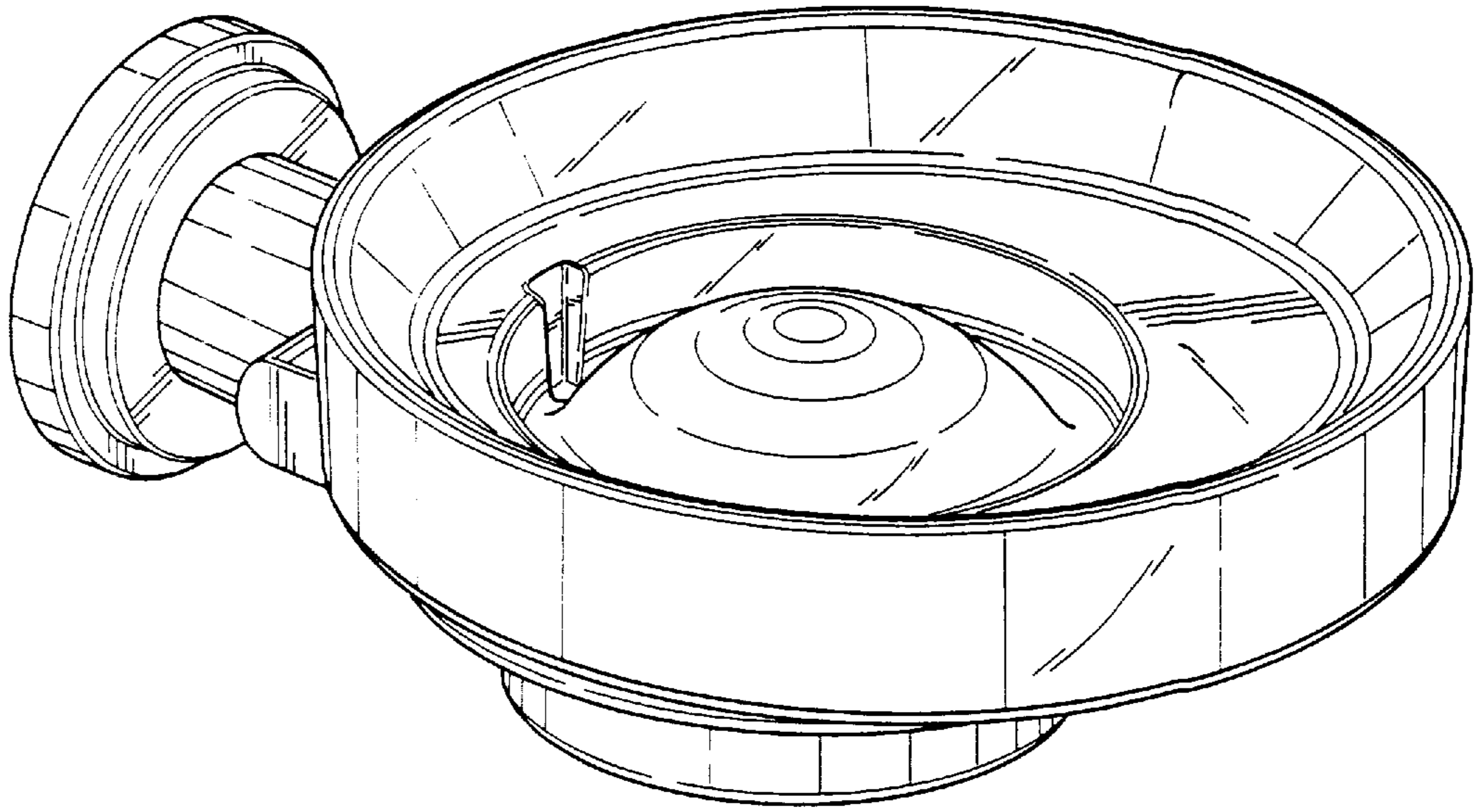


FIG. 1

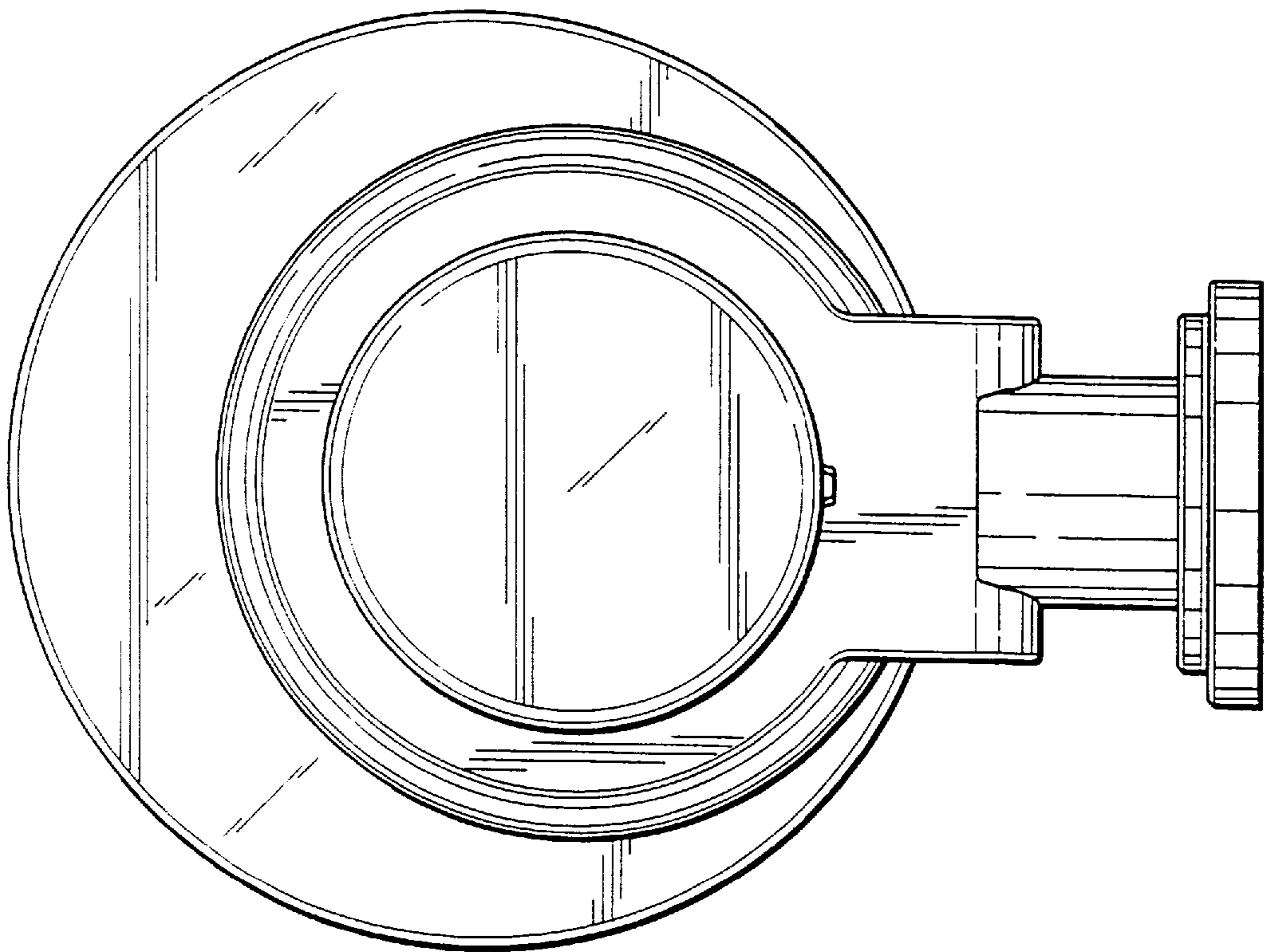


FIG. 2

FIG. 3

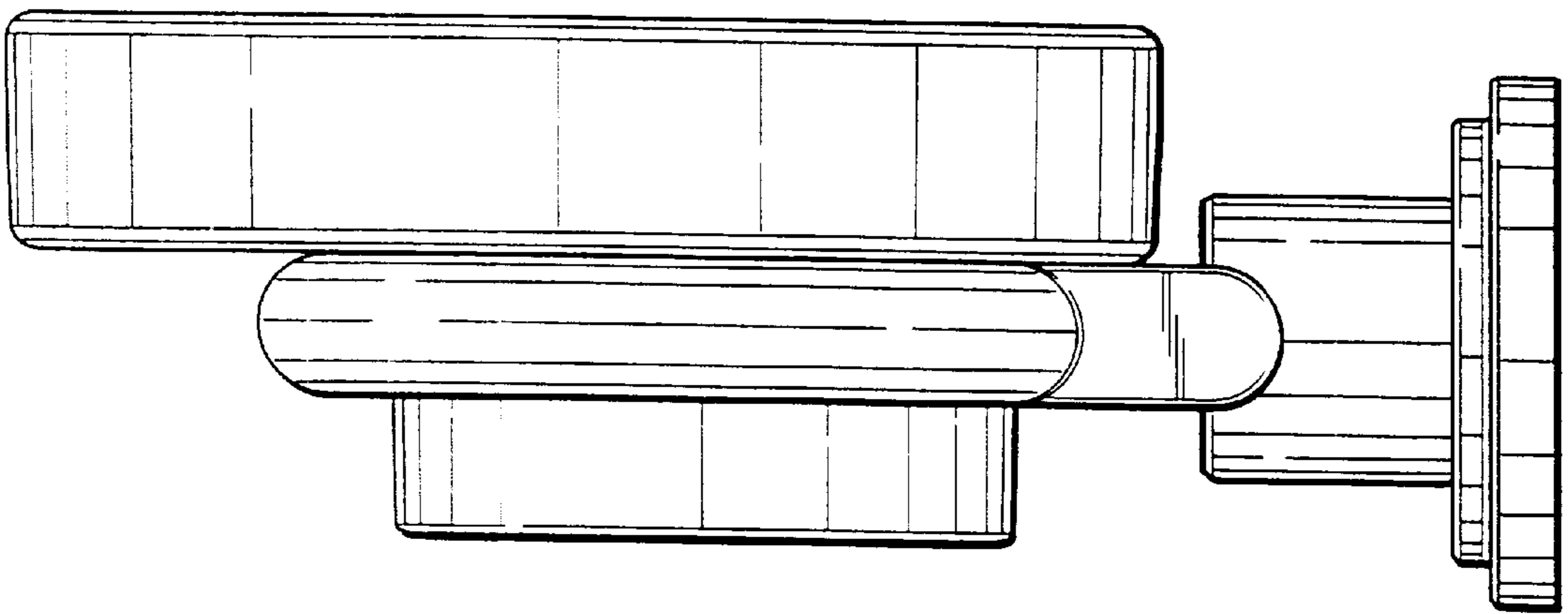
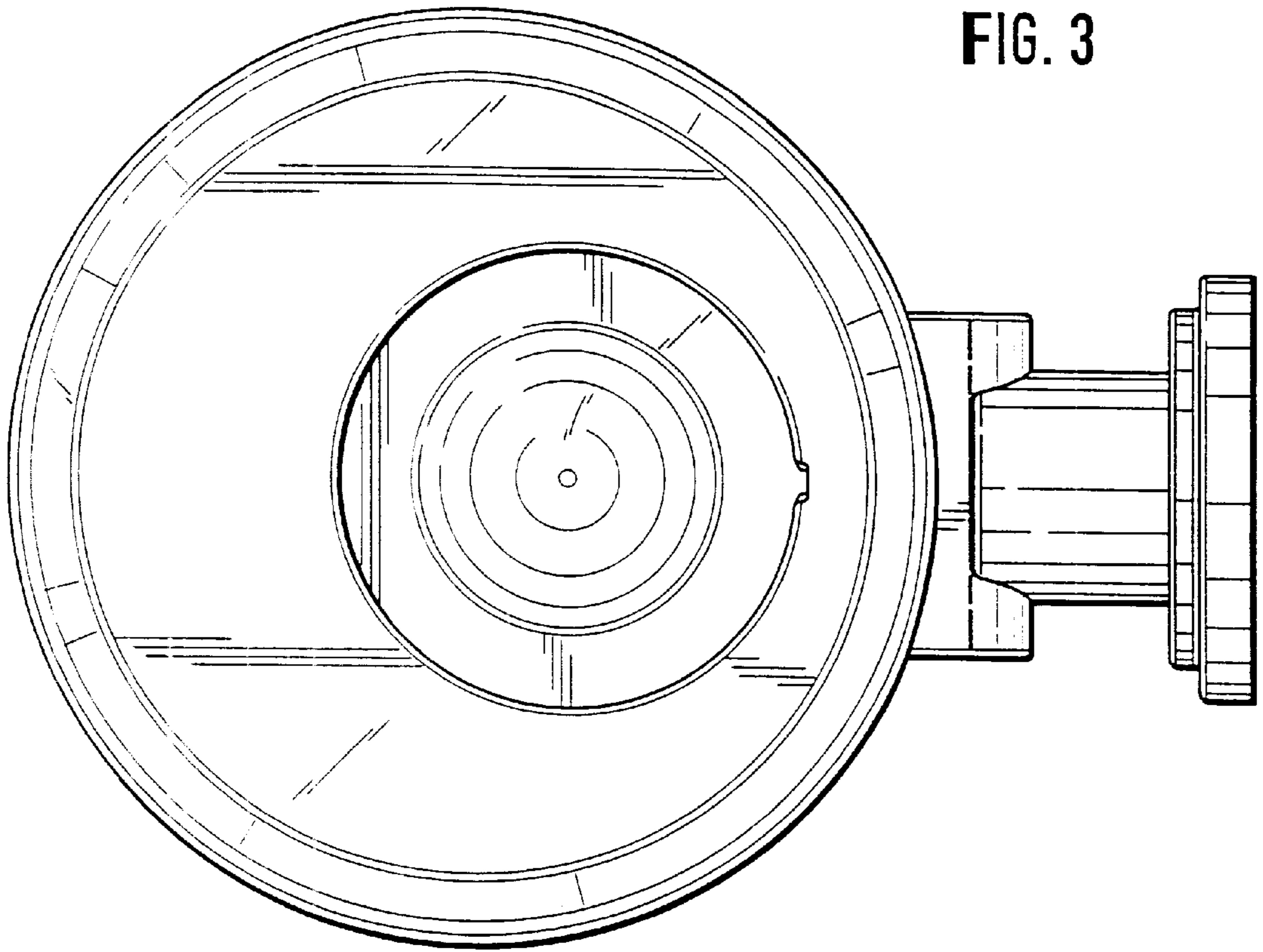


FIG. 4

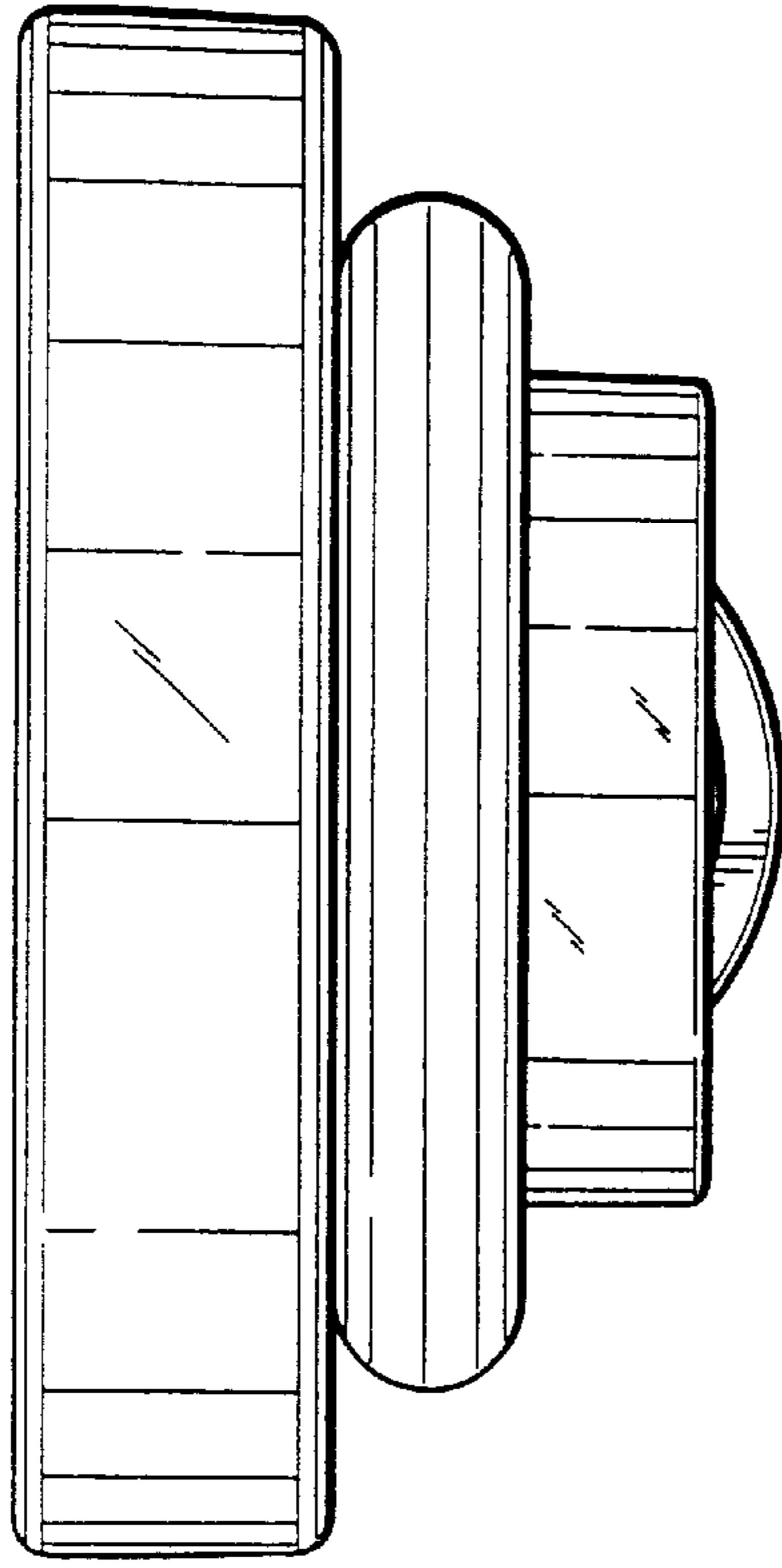


FIG. 6

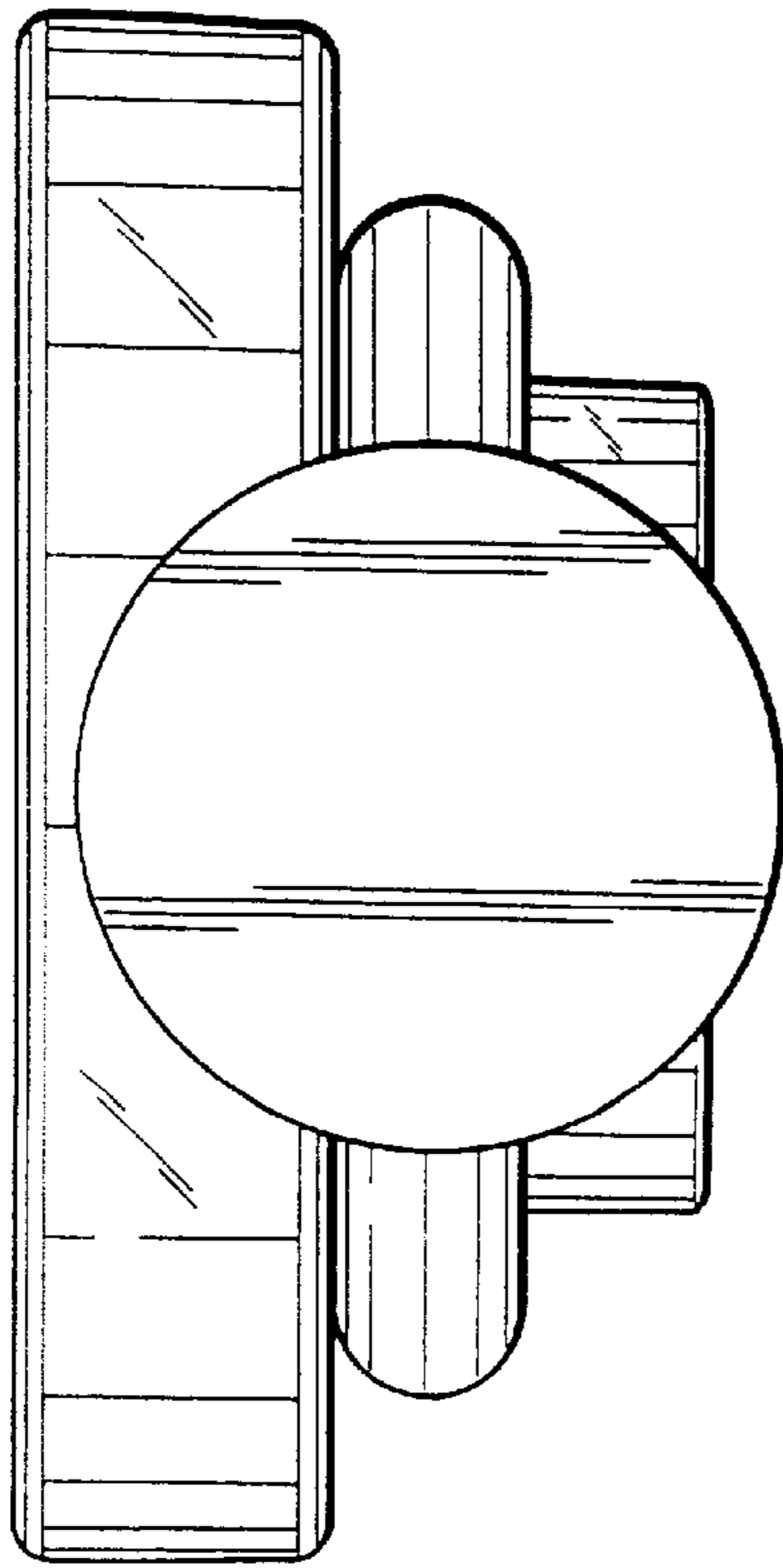


FIG. 5