



US00D453646S

(12) **United States Design Patent**
Gottwald

(10) **Patent No.:** **US D453,646 S**

(45) **Date of Patent:** **** Feb. 19, 2002**

(54) **HOLDER WITH GLASS**

(75) Inventor: **Adolf Gottwald**, Iserlohn (DE)

(73) Assignee: **Friedrich Grohe AG & Co. KG**,
Hemer (DE)

(**) Term: **14 Years**

(21) Appl. No.: **29/142,611**

(22) Filed: **May 30, 2001**

(30) **Foreign Application Priority Data**

Dec. 1, 2000 (DE) 4 00 11 471

(51) **LOC (7) Cl.** **23-02**

(52) **U.S. Cl.** **D6/535**

(58) **Field of Search** D6/535, 524, 531;
248/205.3, 205.5, 311.2

(56) **References Cited**

U.S. PATENT DOCUMENTS

- D283,283 S * 4/1986 Sollen D6/535
- D306,689 S * 3/1990 Hamann D8/363
- D371,735 S * 7/1996 Motta D8/373

- D416,153 S * 11/1999 Chen D6/524
- D425,742 S * 5/2000 Duggan D6/535
- D436,478 S * 1/2001 Mahlmann D6/535
- D437,159 S * 2/2001 Fiegl et al. D6/535
- D440,800 S * 4/2001 Milrud et al. D6/535

* cited by examiner

Primary Examiner—Brian N. Vinson

(74) *Attorney, Agent, or Firm*—Herbert Dubno

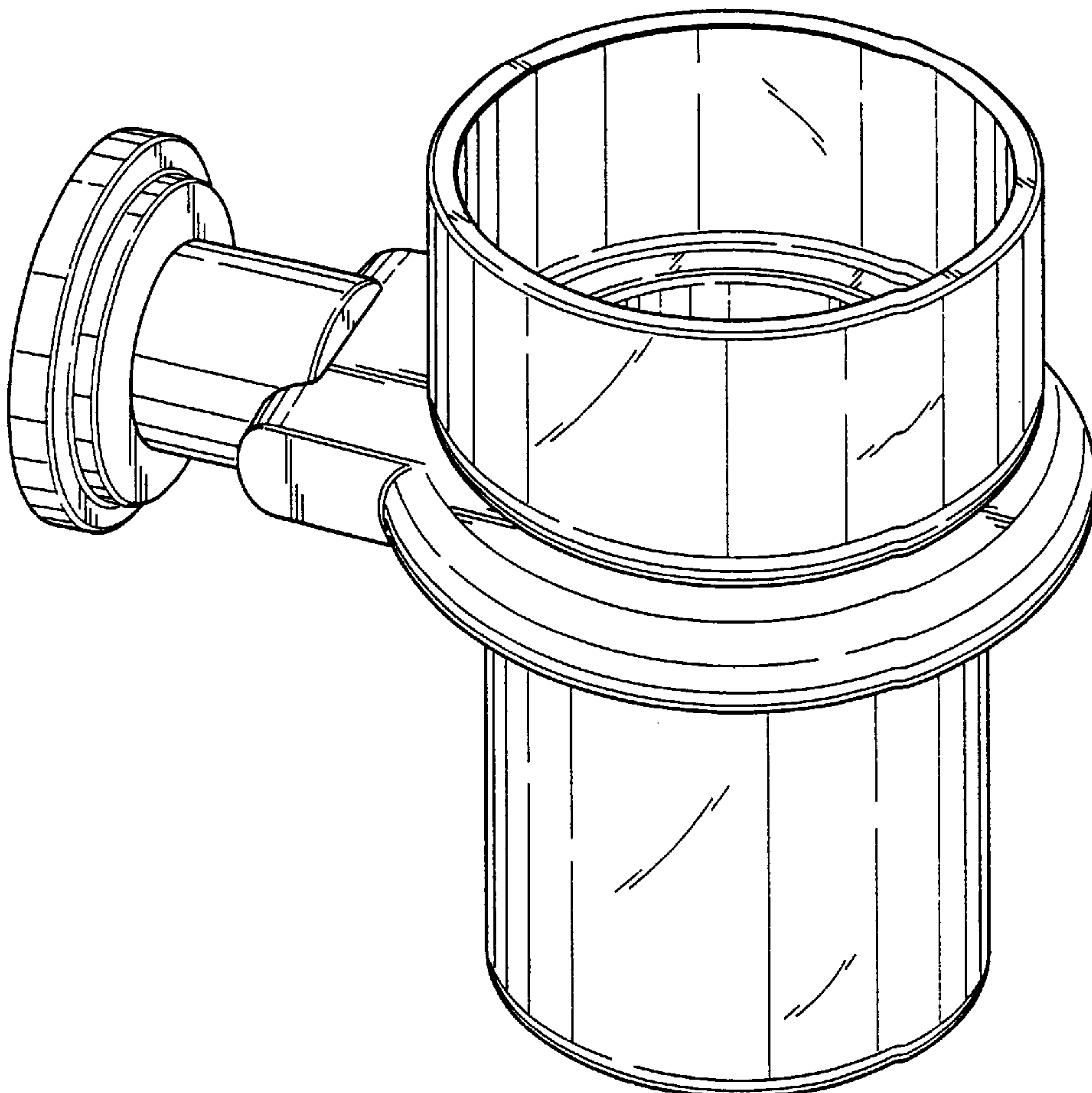
(57) **CLAIM**

The ornamental design for a holder with glass, as shown and described.

DESCRIPTION

FIG. 1 is a top, front, left-side perspective view of a holder with glass showing my new design;
 FIG. 2 is a bottom plan view thereof;
 FIG. 3 is a top plan view thereof;
 FIG. 4 is a right side elevational view thereof, the left side view being mirror symmetrical thereto;
 FIG. 5 is a front elevational view thereof; and,
 FIG. 6 is a rear elevational view thereof.

1 Claim, 3 Drawing Sheets



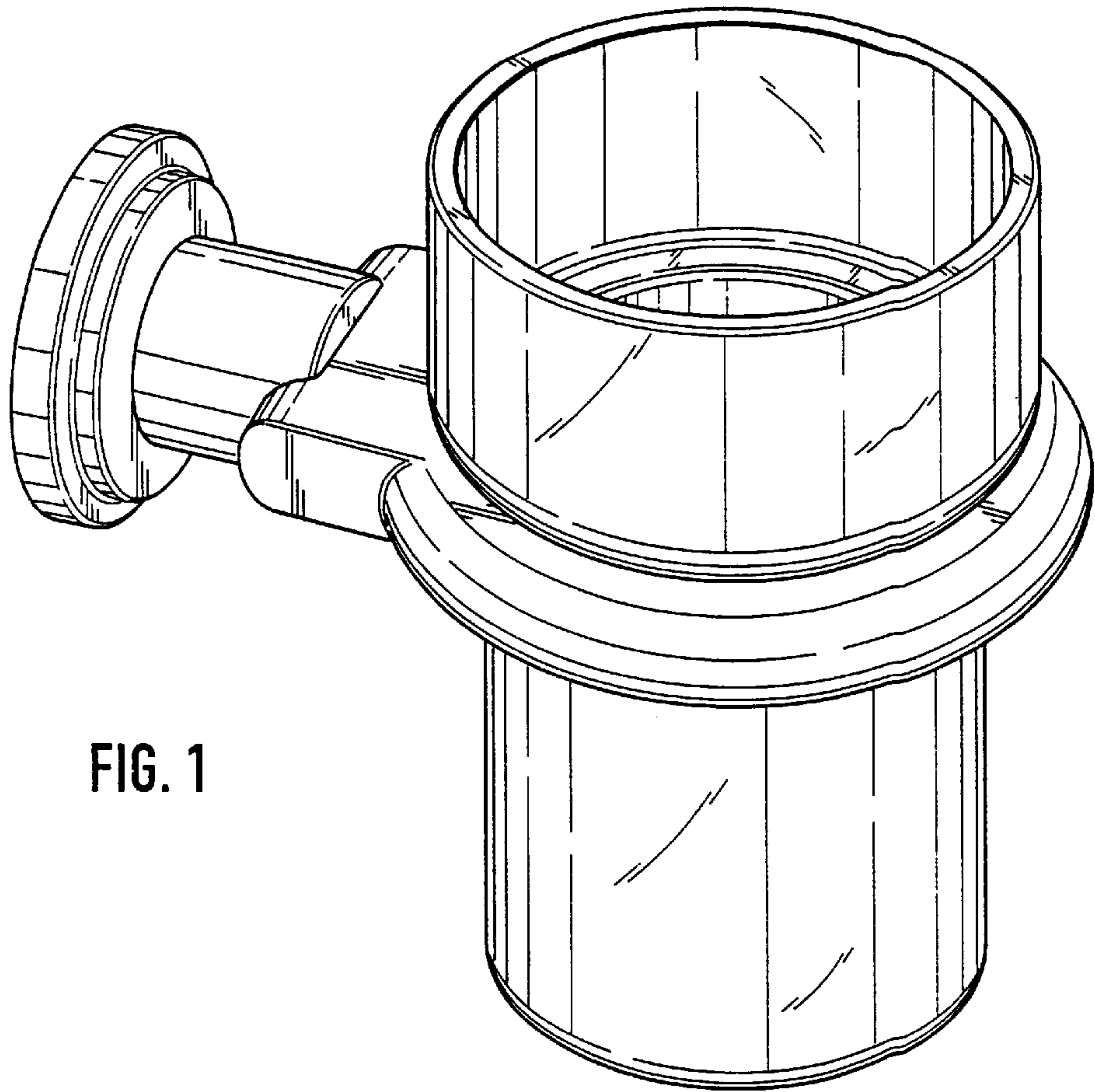


FIG. 1

FIG. 2

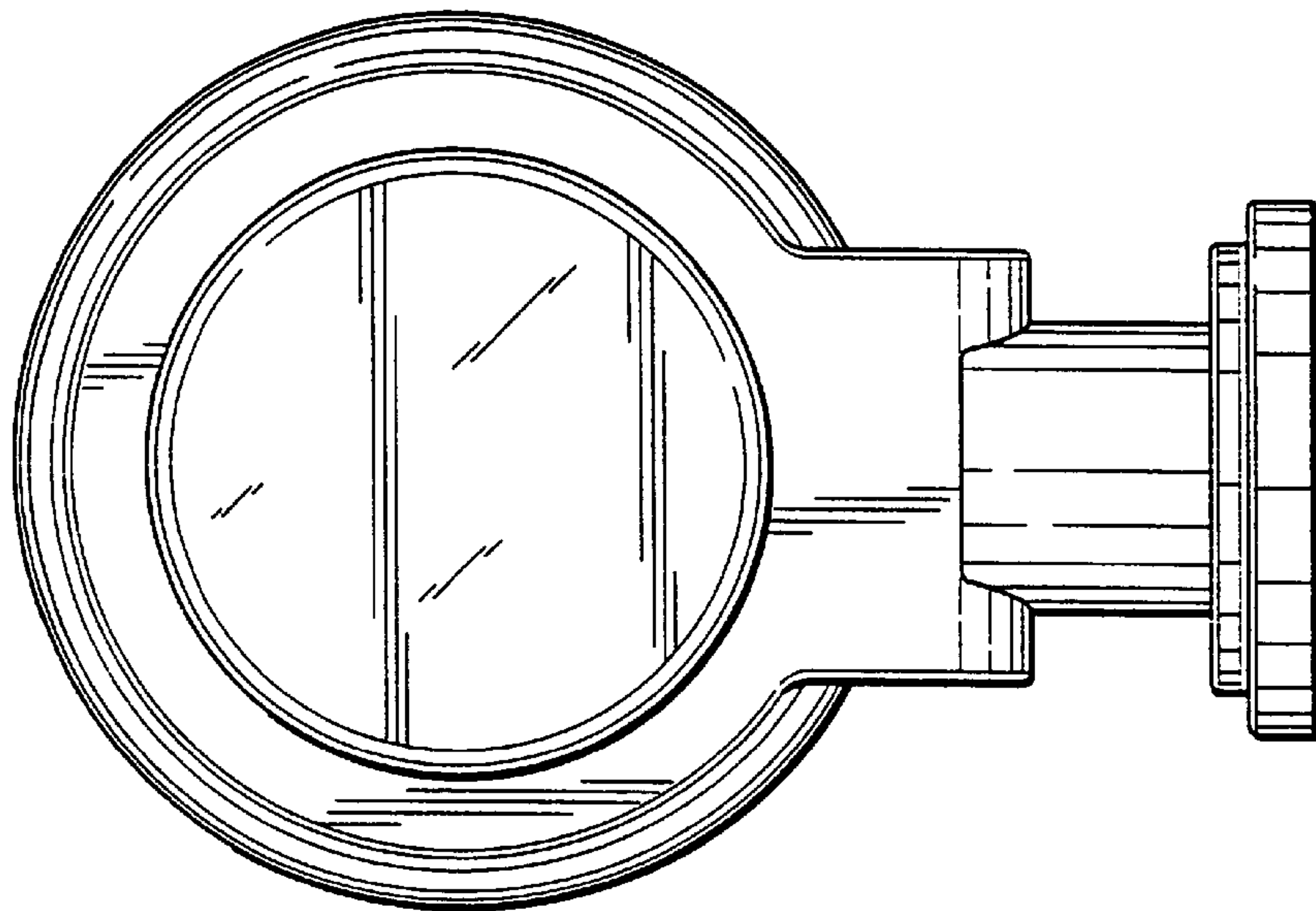


FIG. 3

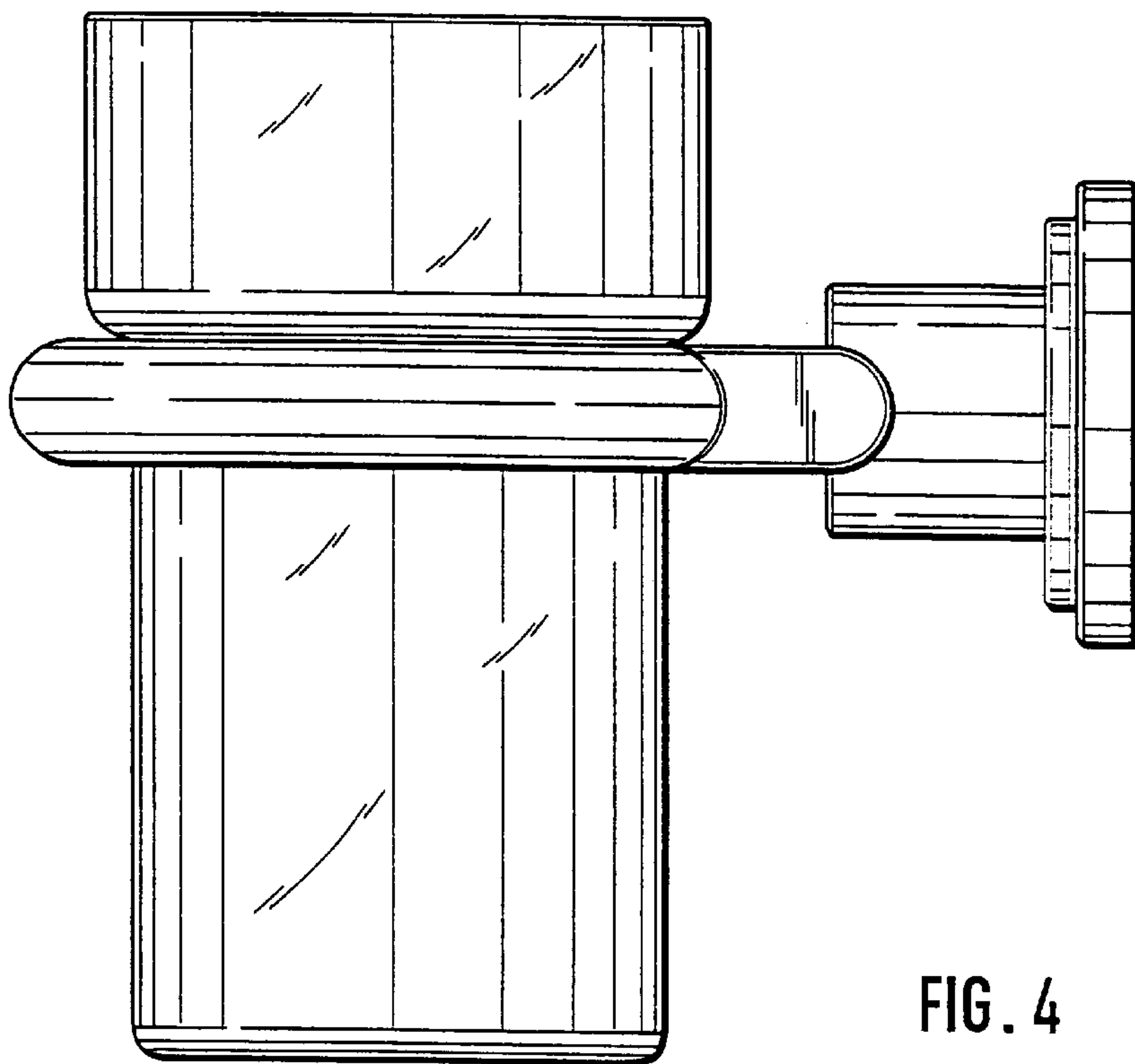
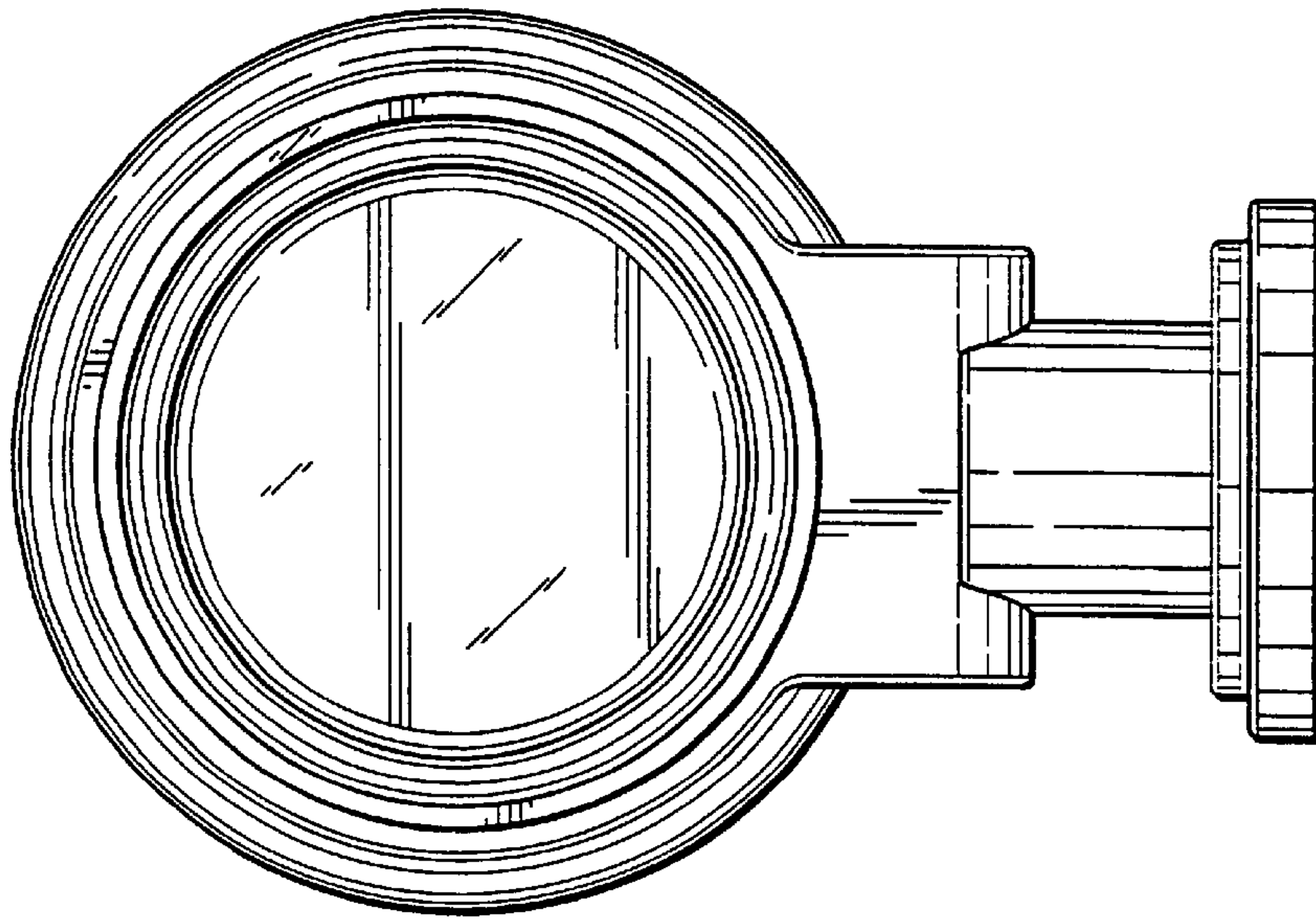


FIG. 4

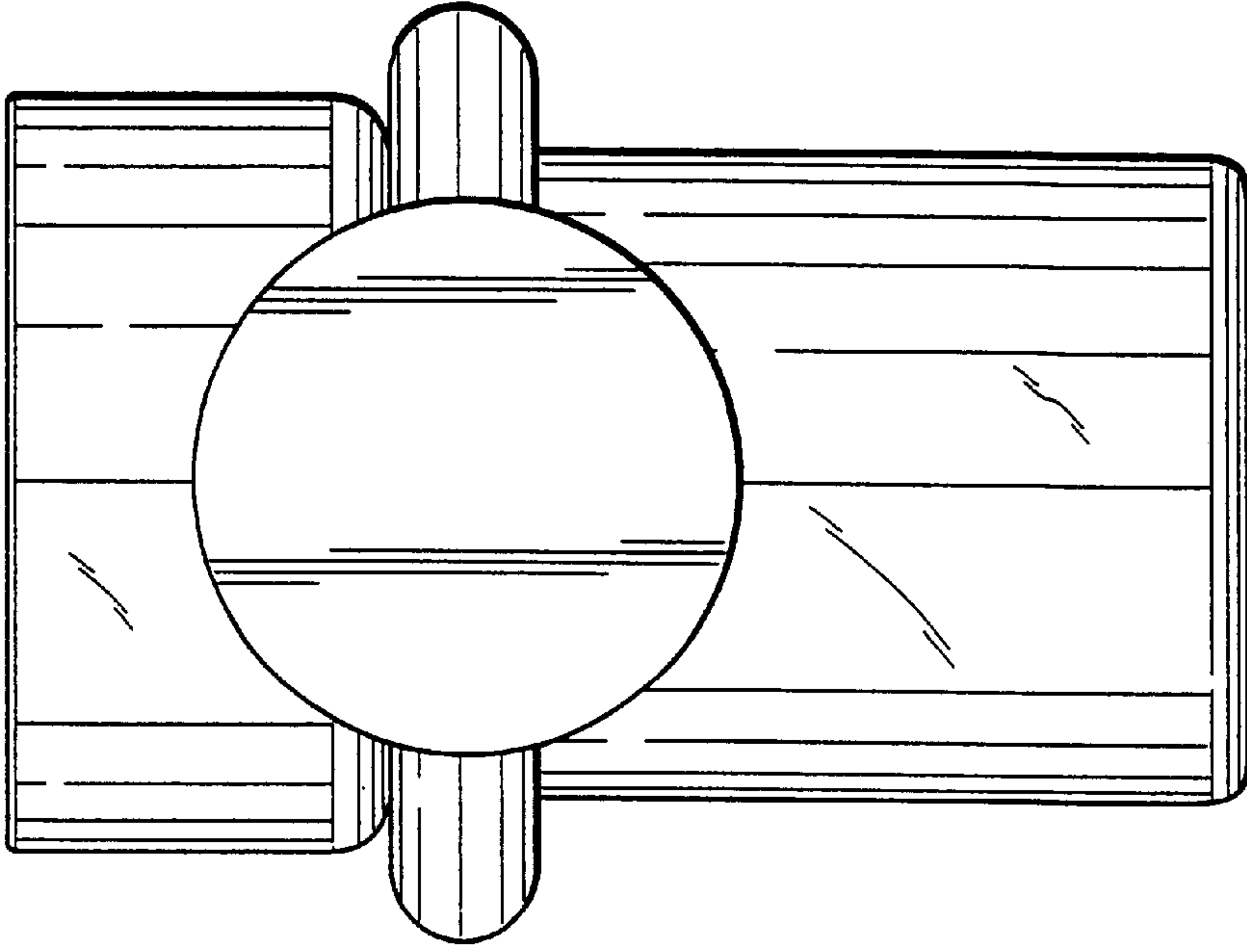


FIG. 6

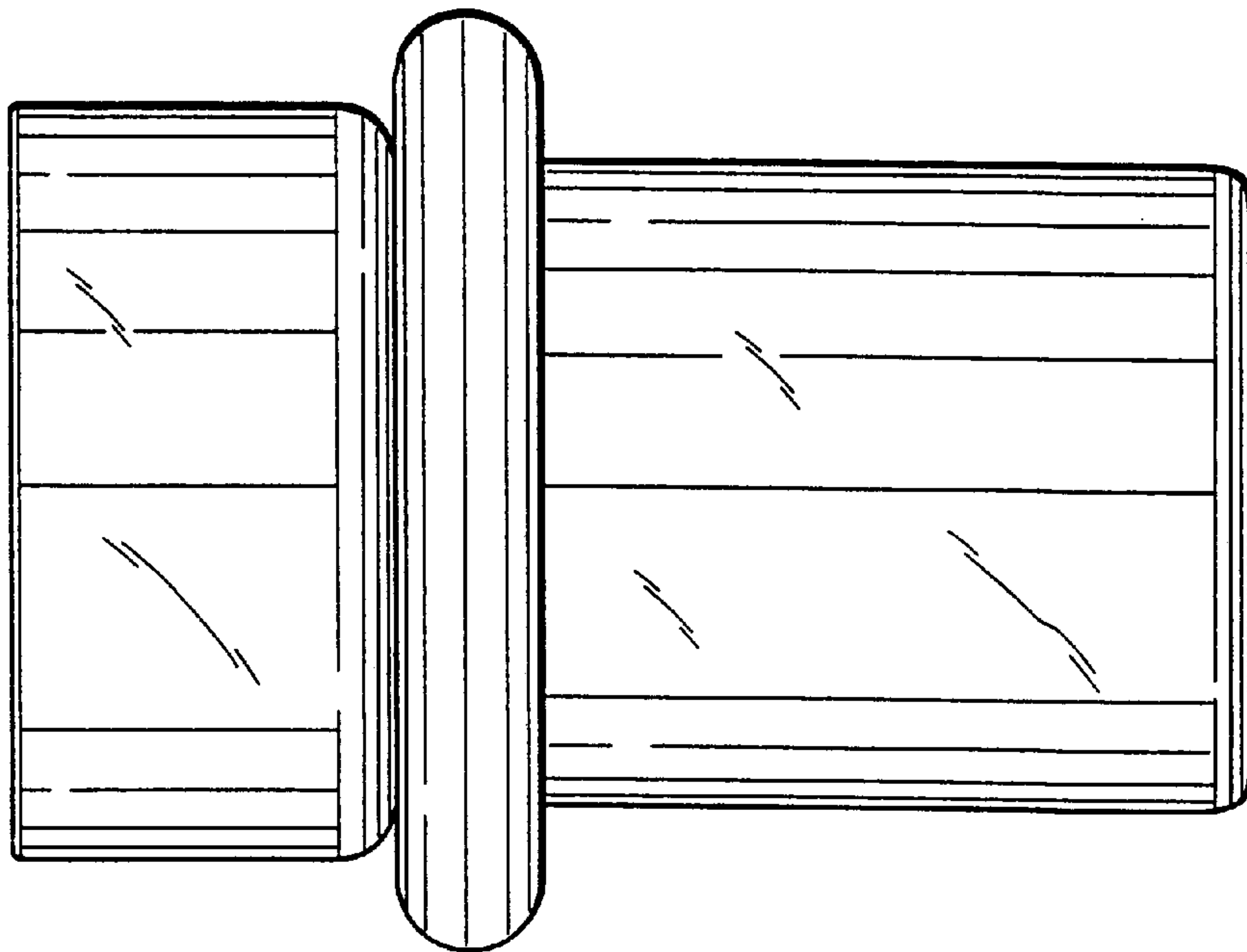


FIG. 5