



US00D453645S

(12) **United States Design Patent**  
**Jones**

(10) **Patent No.:** **US D453,645 S**

(45) **Date of Patent:** **\*\* Feb. 19, 2002**

(54) **TOILET PAPER ROLL DISPENSER**

D419,011 S \* 1/2000 Gilmore ..... D6/519  
D433,261 S \* 11/2000 Solowiej ..... D6/523

(75) Inventor: **Craig C. Jones**, Stillwater, MN (US)

\* cited by examiner

(73) Assignee: **Bicycle Tools Incorporated**, St. Paul, MN (US)

*Primary Examiner*—Brian N. Vinson

(74) *Attorney, Agent, or Firm*—Rider, Bennett, Egan & Arundel

(\*\*) Term: **14 Years**

(21) Appl. No.: **29/141,940**

(22) Filed: **May 16, 2001**

(51) **LOC (7) Cl.** ..... **23-02**

(52) **U.S. Cl.** ..... **D6/523**

(58) **Field of Search** ..... D6/518–523, 546–550;  
242/590, 596, 597–598; 211/13.1, 32, 35,  
87.01, 88.04, 105.1, 105.2; 248/214, 251,  
302

(56) **References Cited**

**U.S. PATENT DOCUMENTS**

D256,860 S \* 9/1980 Ryan et al. .... D6/523  
D317,386 S \* 6/1991 McKeone ..... D6/524  
D374,585 S \* 10/1996 Moon ..... D6/523

(57) **CLAIM**

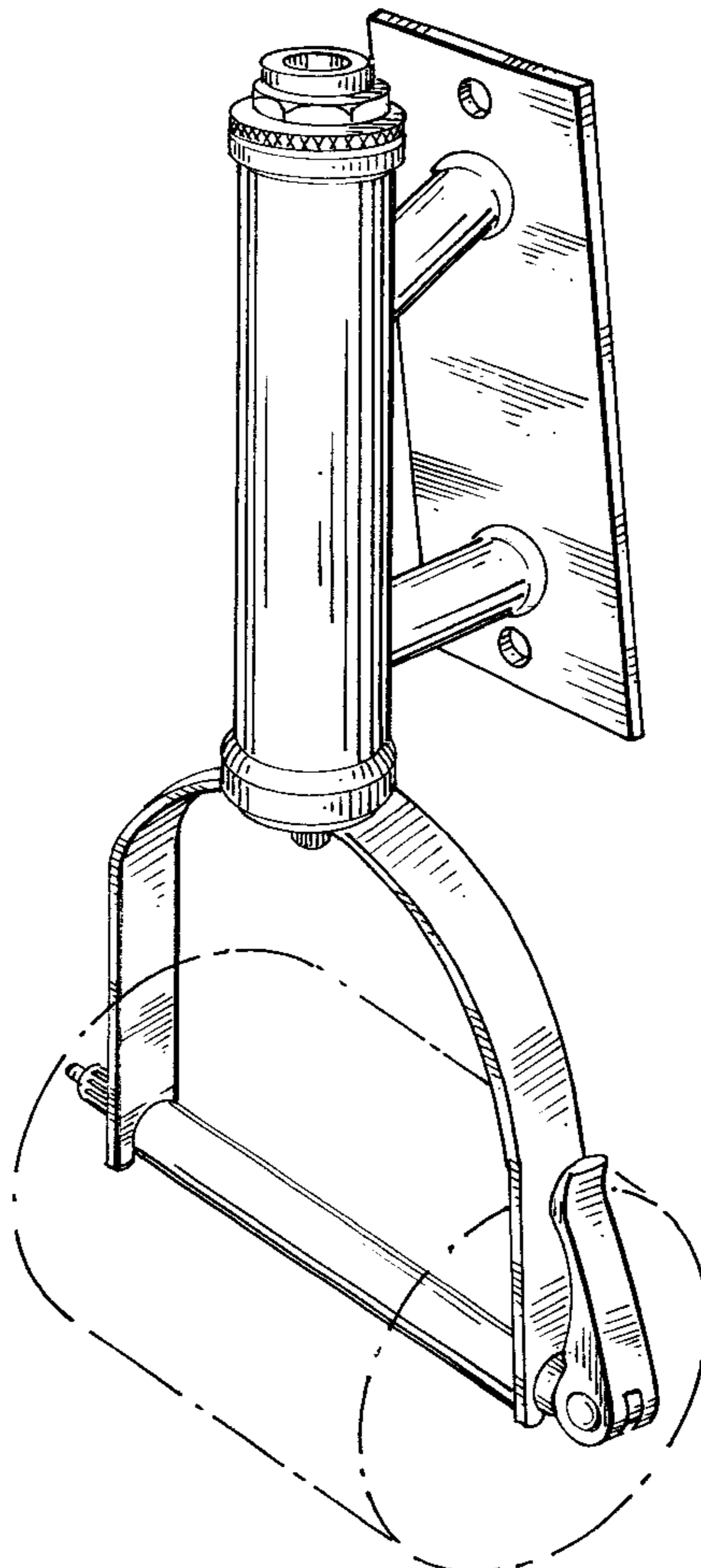
The ornamental design toilet paper roll dispenser, as shown and described.

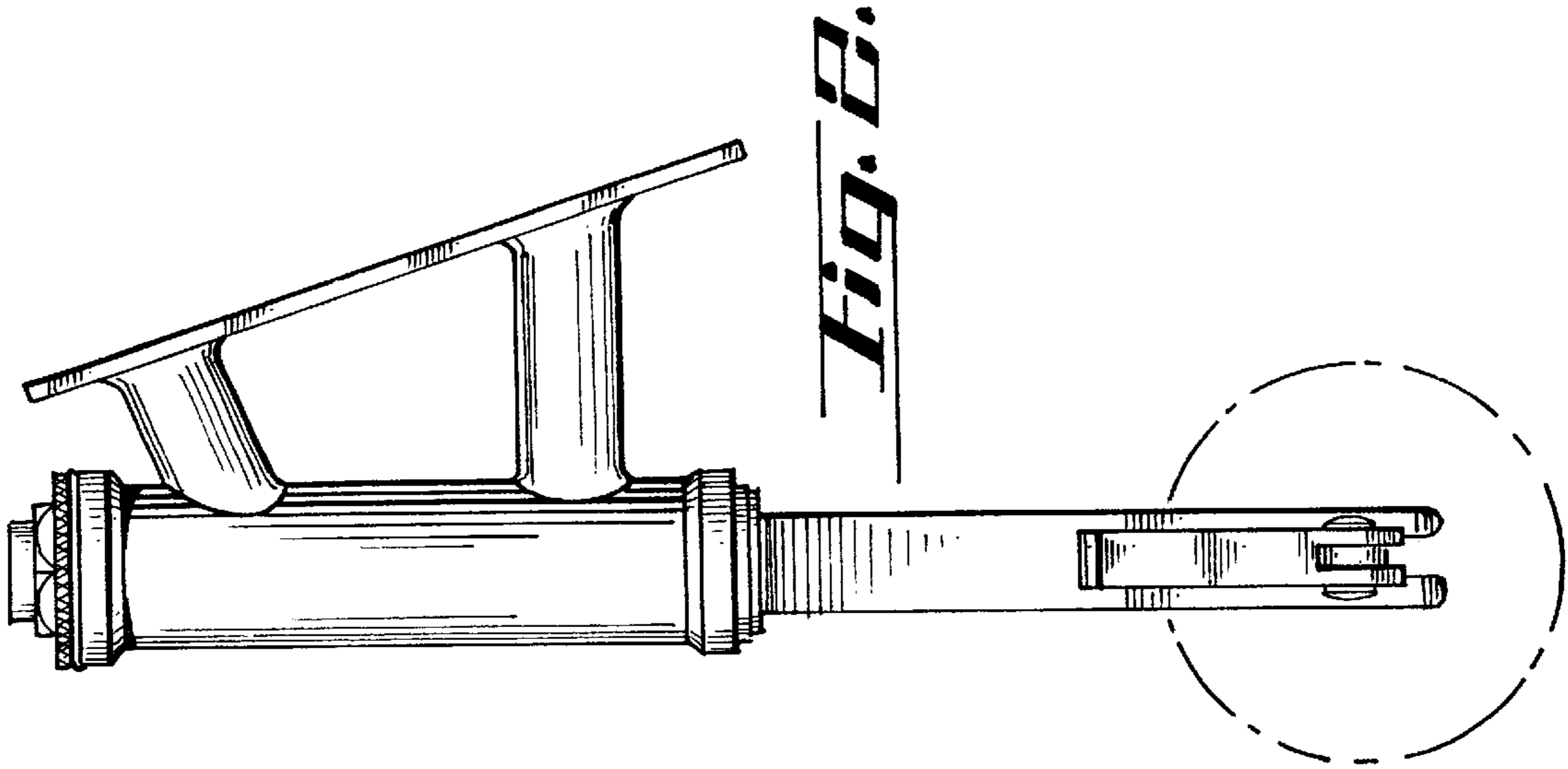
**DESCRIPTION**

FIG. 1 is a front elevational view of a toilet paper roll dispenser showing my new design; FIG. 2 is a left side elevational view; FIG. 3 is a rear elevational view; FIG. 4 is a right side elevational view; FIG. 5 is a top plan view; FIG. 6 is a bottom plan view; and, FIG. 7 is a front perspective view.

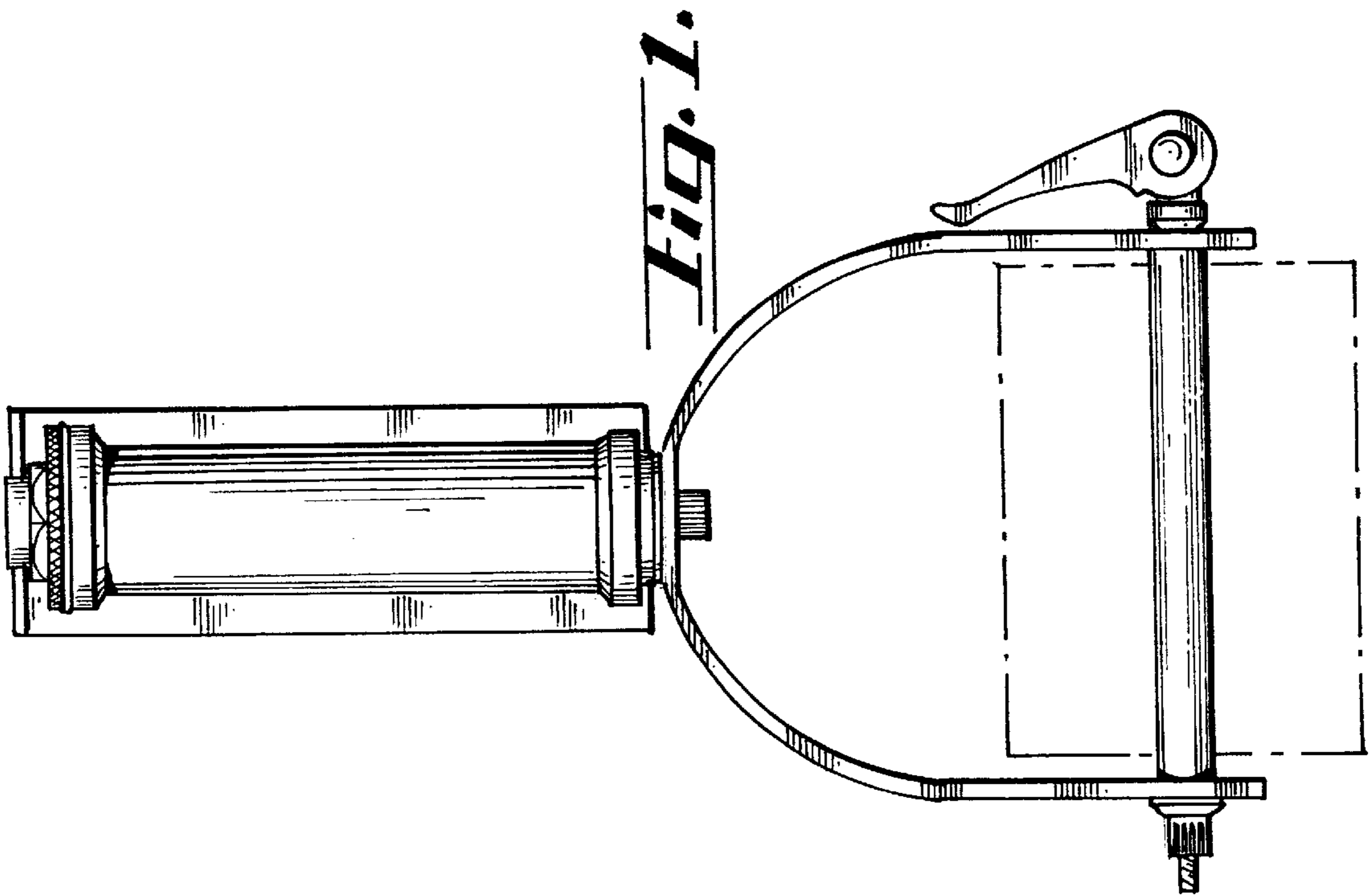
No claim is made to the toilet paper roll shown in phantom outline which is shown for environmental purposes only.

**1 Claim, 4 Drawing Sheets**

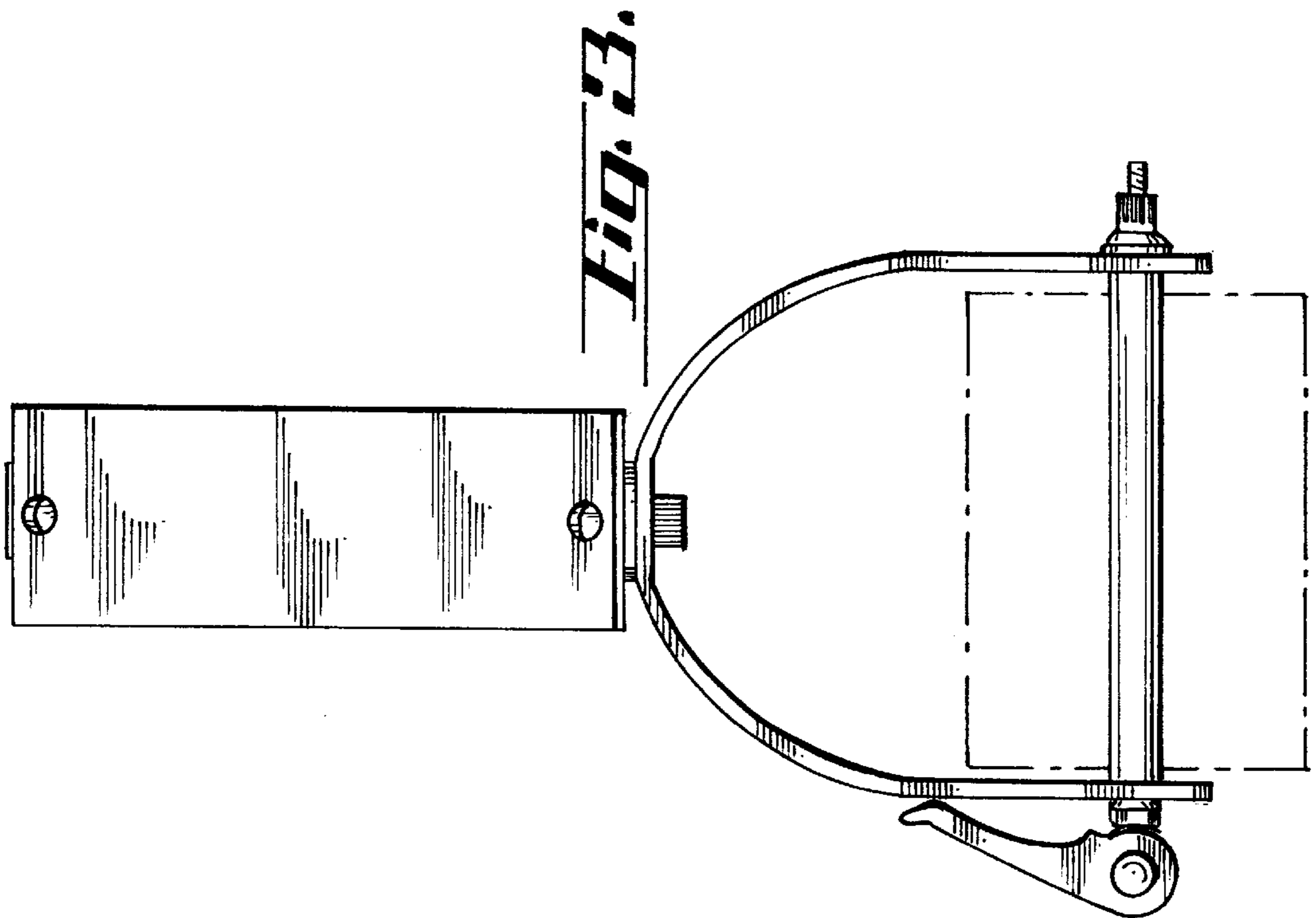
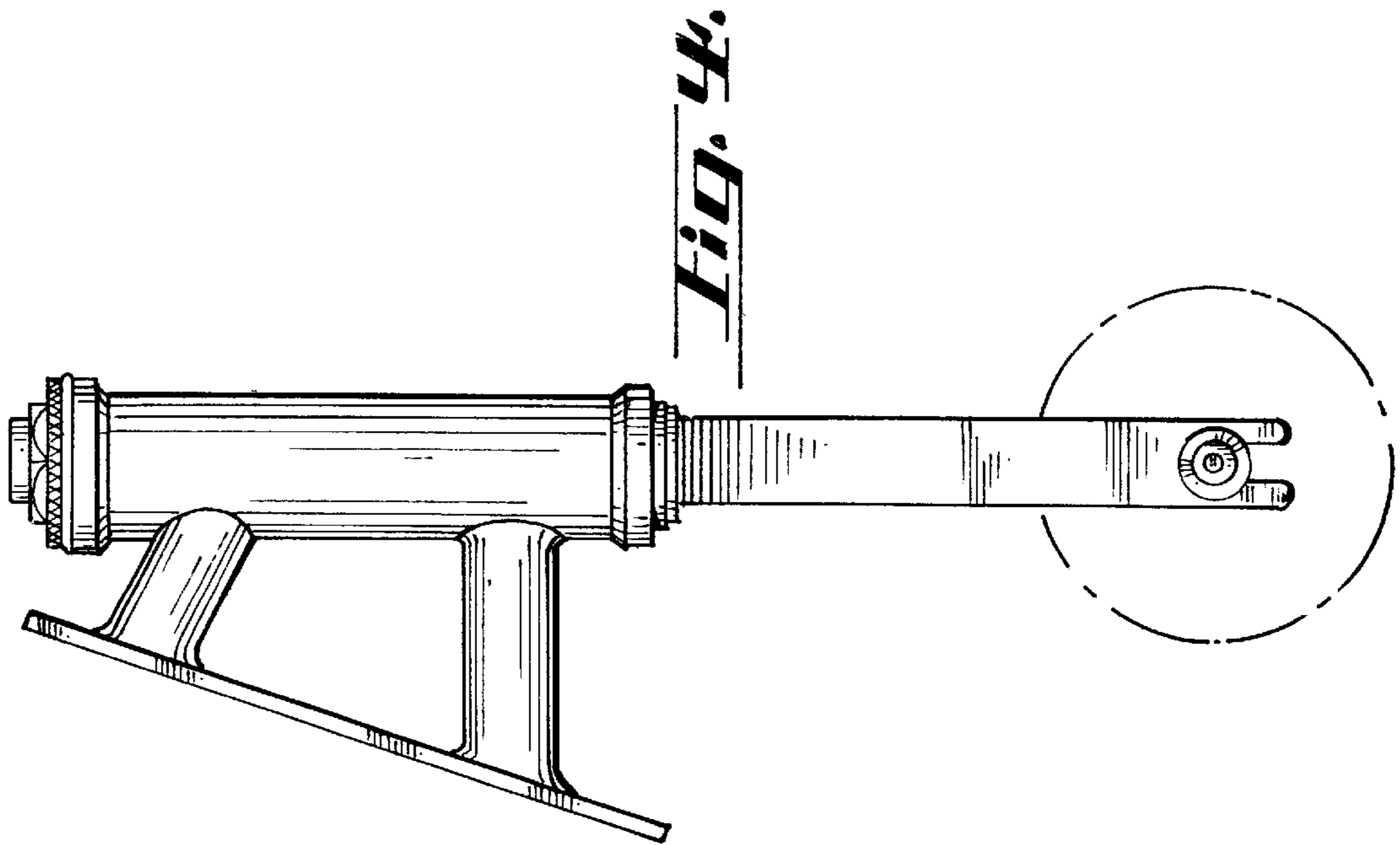


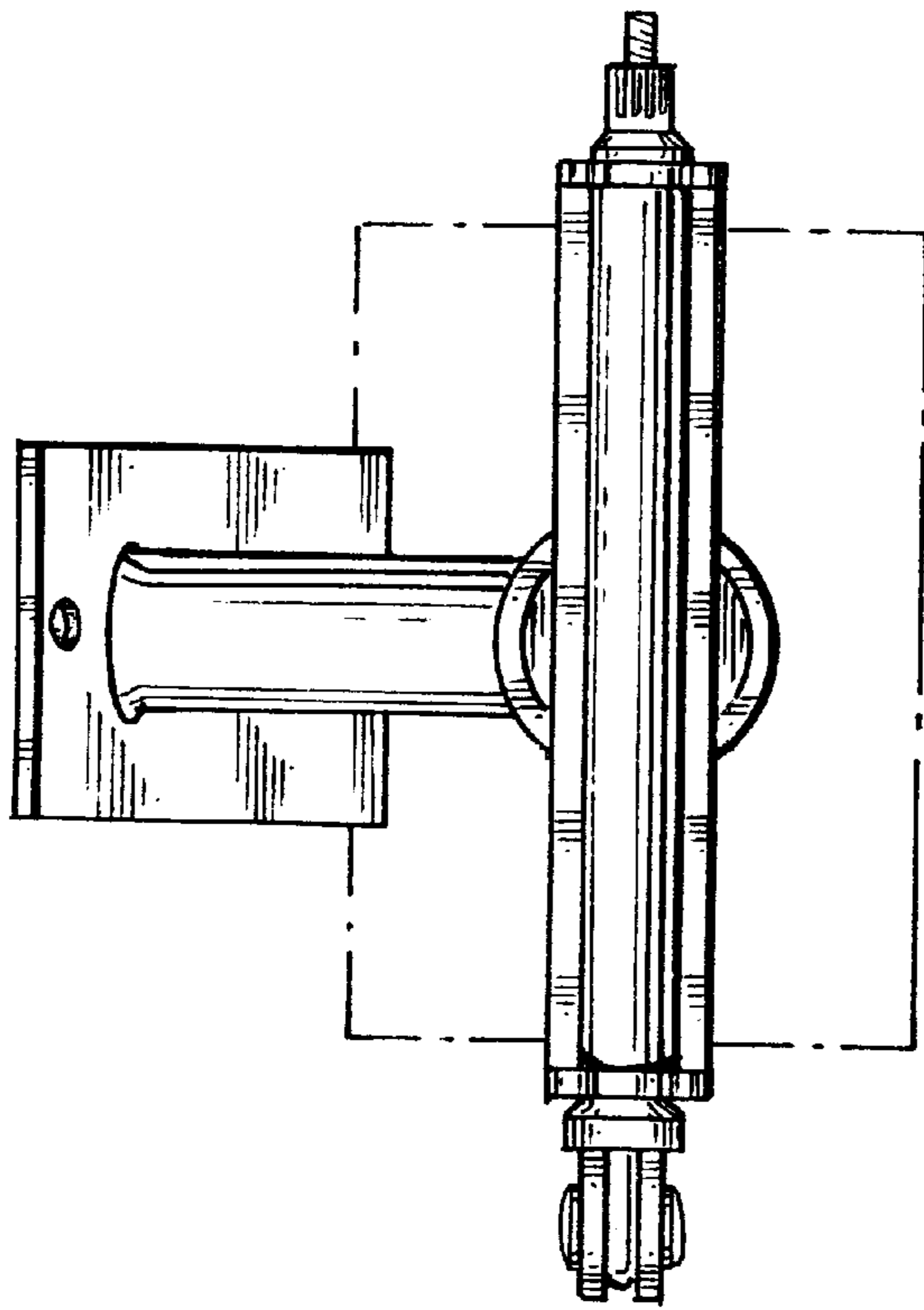


*Fig. 2.*

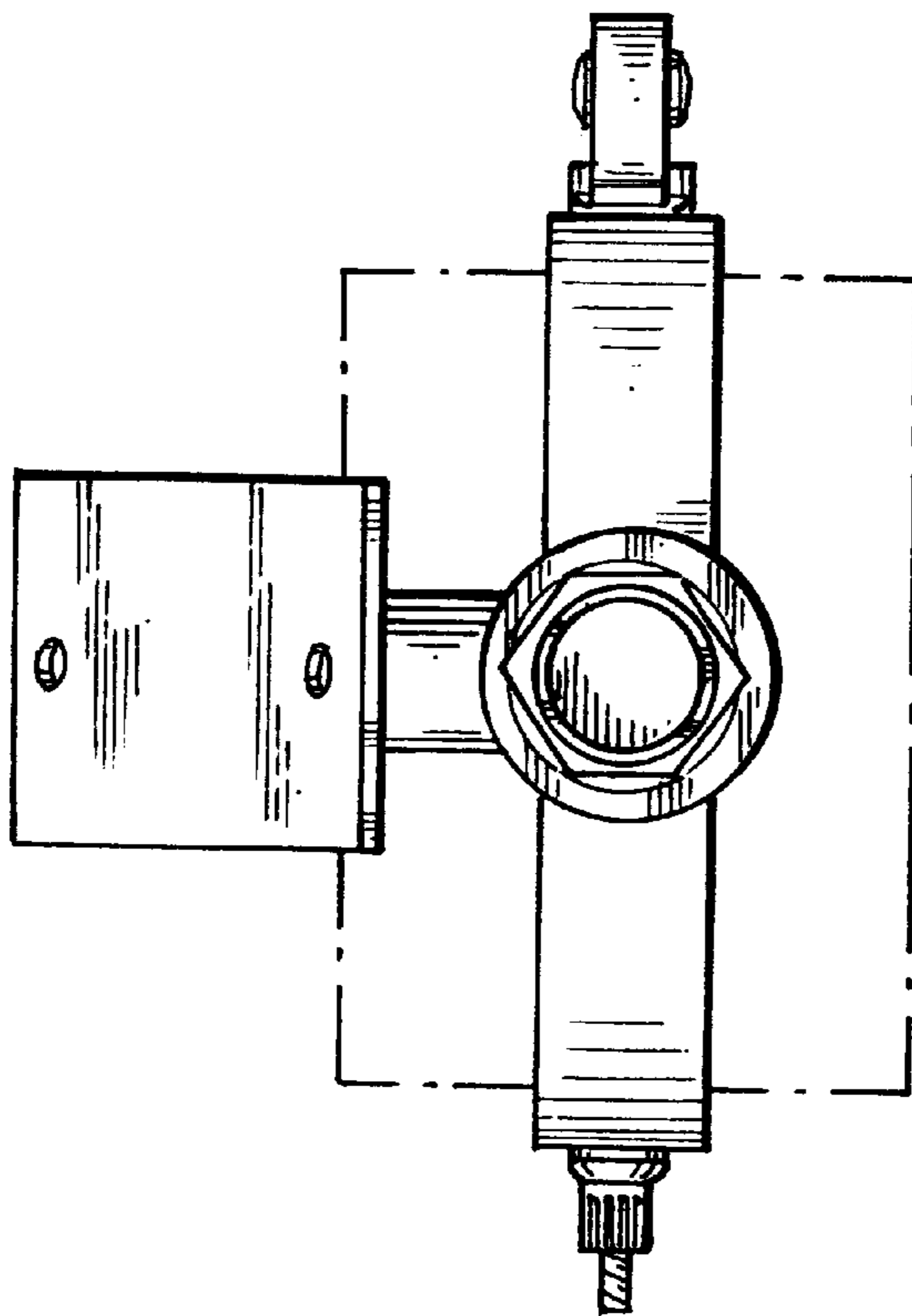


*Fig. 1.*

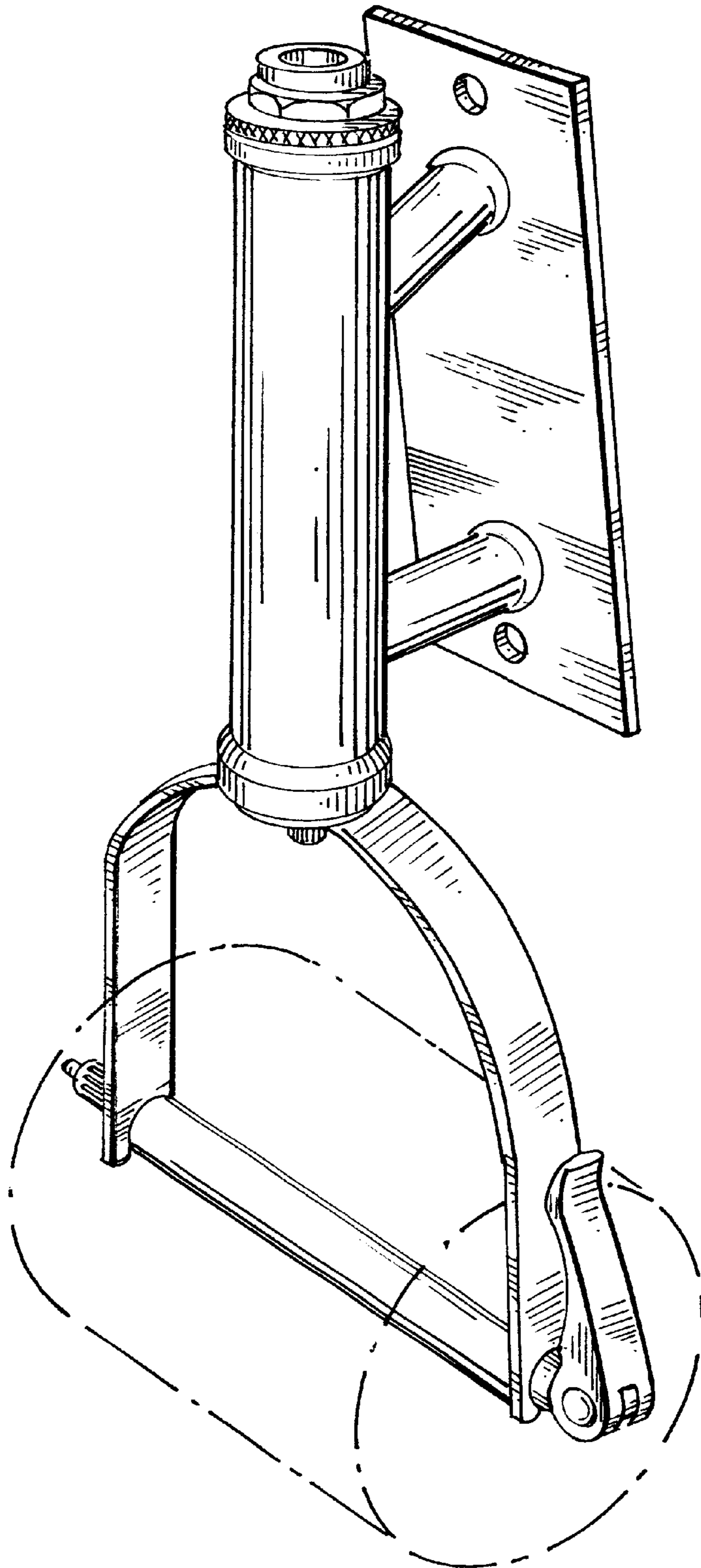




*Fig. 6.*



*Fig. 7.*



*Fig. 1.*