



US00D453642S

(12) **United States Design Patent** (10) **Patent No.:** **US D453,642 S**
Mascheroni (45) **Date of Patent:** **** Feb. 19, 2002**

(54) **TABLE BASE**

(76) Inventor: **Mark Mascheroni**, 435 E. 57th St.,
New York, NY (US) 10022-3062

(**) Term: **14 Years**

(21) Appl. No.: **29/129,515**

(22) Filed: **Sep. 15, 2000**

(51) **LOC (7) Cl.** **06-06**

(52) **U.S. Cl.** **D6/495**

(58) **Field of Search** D6/480-489, 495-499,
D6/477; 108/153.1, 155, 156, 157.1, 158.11,
161; 248/188, 188.1, 188.8, 167

(56) **References Cited**

U.S. PATENT DOCUMENTS

1,652,942 A	*	12/1927	James	248/167
D239,487 S	*	4/1976	Hysten	D6/488
D247,402 S	*	3/1978	Cohen	D6/414
D258,104 S	*	2/1981	Baker	D6/488
D441,992 S	*	5/2001	Noll	D6/495

OTHER PUBLICATIONS

Bonta, "An anatomy of architectural interpretation," Editorial Gustavo Gili, S.A., Barcelona, Spain (1975).

Mies Van Der Rohe, "Furniture and Interiors," Barron's Educational Series, Inc., (1982).

* cited by examiner

Primary Examiner—Janice E. Seeger

(74) *Attorney, Agent, or Firm*—Heslin Rothenberg Farley & Mesiti P.C.

(57) **CLAIM**

The ornamental design for a table base, as shown and described.

DESCRIPTION

FIG. 1 is a perspective view of a first embodiment of the table base of my new design;

FIG. 2 is a top plan view of the first embodiment;

FIG. 3 is a front side elevational view of the first embodiment, the rear side elevational view being a mirror image thereto;

FIG. 4 is perspective view of a second embodiment of the table base of my new design;

FIG. 5 is a top plan view of the second embodiment;

FIG. 6 is a front side elevational view of the second embodiment, the rear side elevational view being a mirror image thereof;

FIG. 7 is perspective view of a third embodiment of the table base of my new design;

FIG. 8 is a top plan view of the third embodiment;

FIG. 9 is a front side elevational view of the third embodiment, the rear side elevational view being a mirror image thereof;

FIG. 10 is perspective view of a fourth embodiment of the table base of my new design;

FIG. 11 is a top plan view of the fourth embodiment;

FIG. 12 is a front side elevational view of the fourth embodiment, the rear side elevational view being a mirror image thereof;

FIG. 13 is perspective view of an fifth embodiment of the table base of my new design;

FIG. 14 is a top plan view of the fifth embodiment;

FIG. 15 is a front side elevational view of the fifth embodiment, the rear side elevational view being a mirror image thereof;

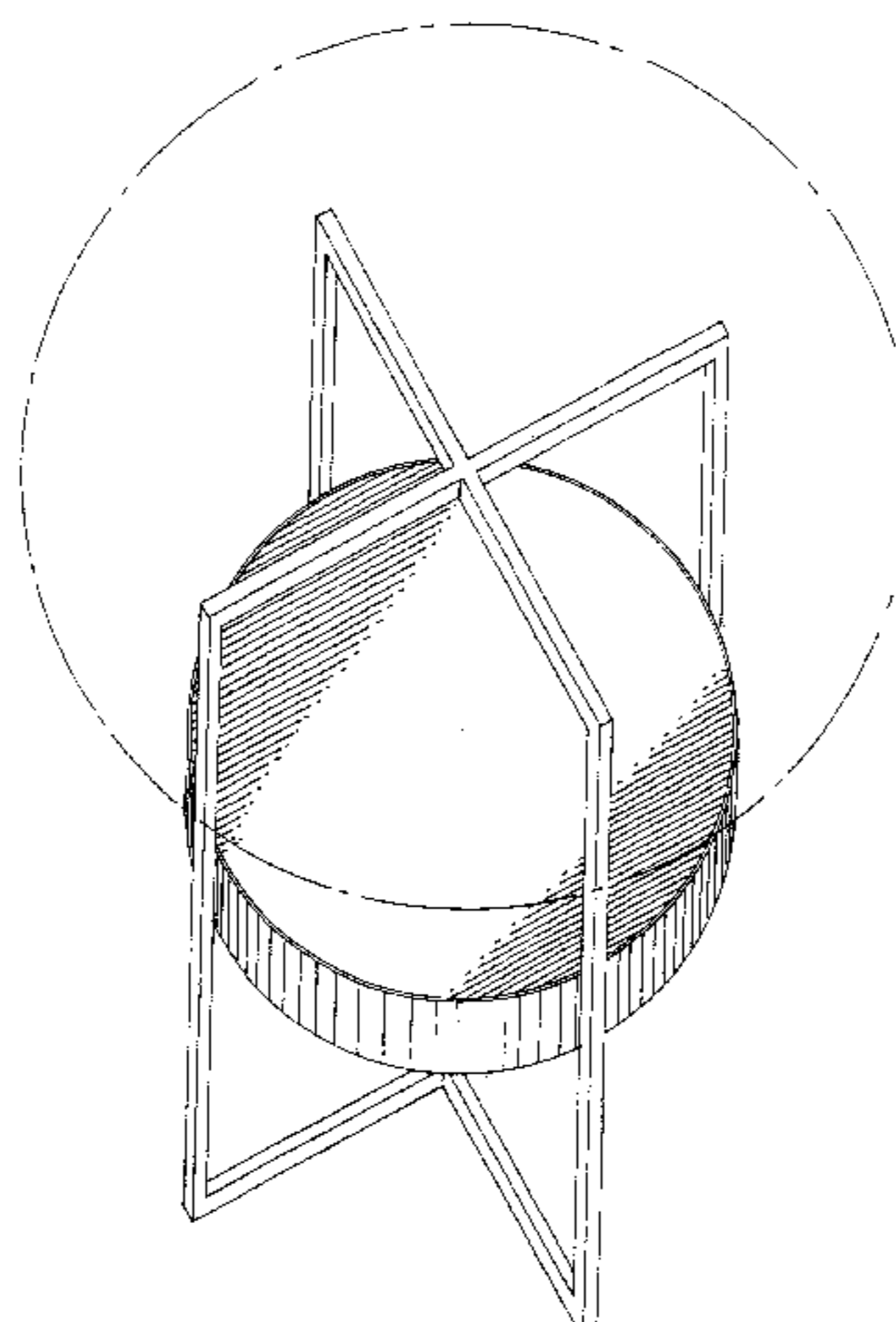
FIG. 16 is perspective view of a sixth embodiment of the table base of my new design;

FIG. 17 is a top plan view of the sixth embodiment; and,

FIG. 18 is a front side elevational view of the sixth embodiment, the rear side elevational view being a mirror image thereof.

The broken lines shown in the drawing figures are for illustrative purposes only and form no part of the claimed design.

1 Claim, 18 Drawing Sheets



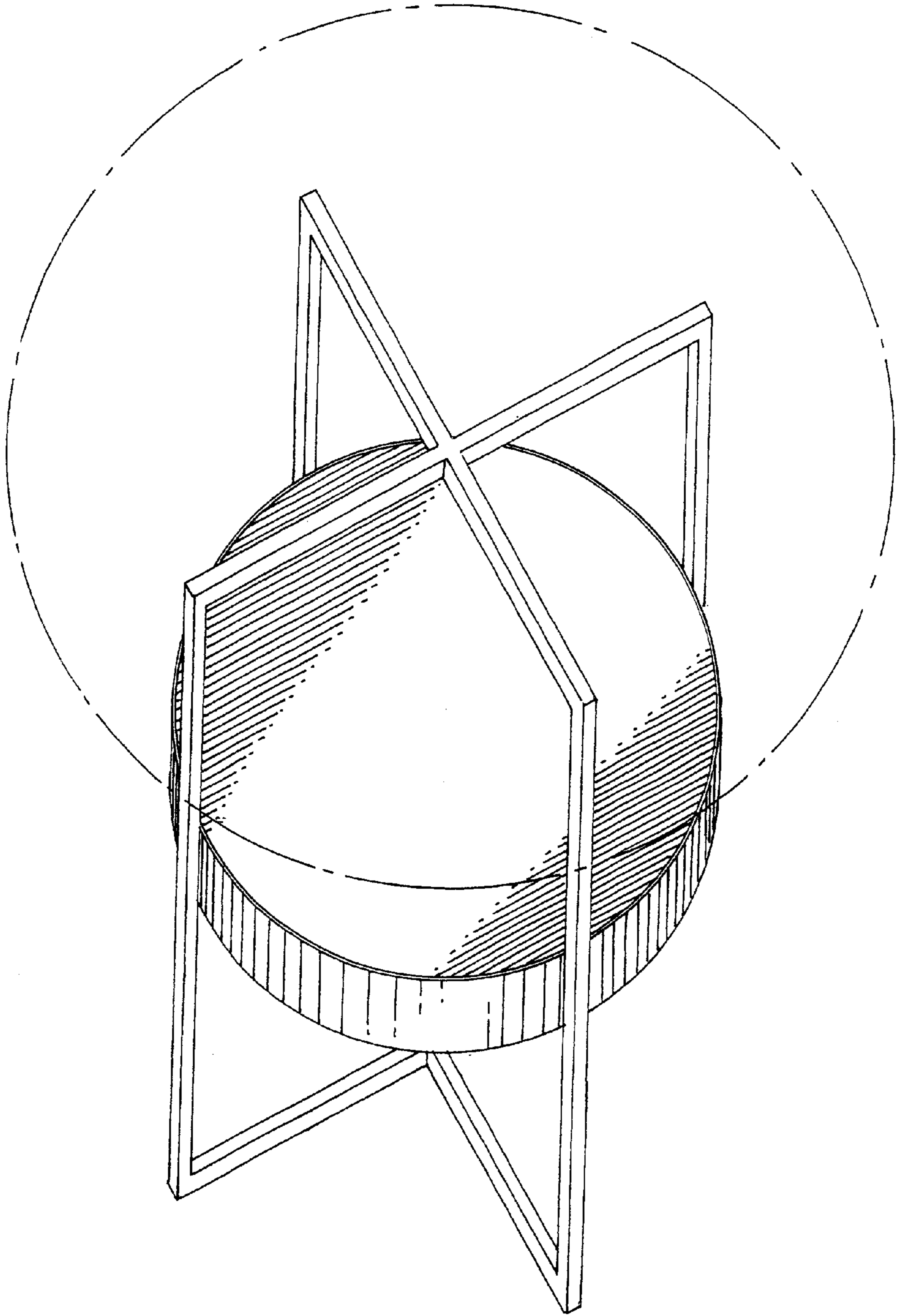


FIG. 1

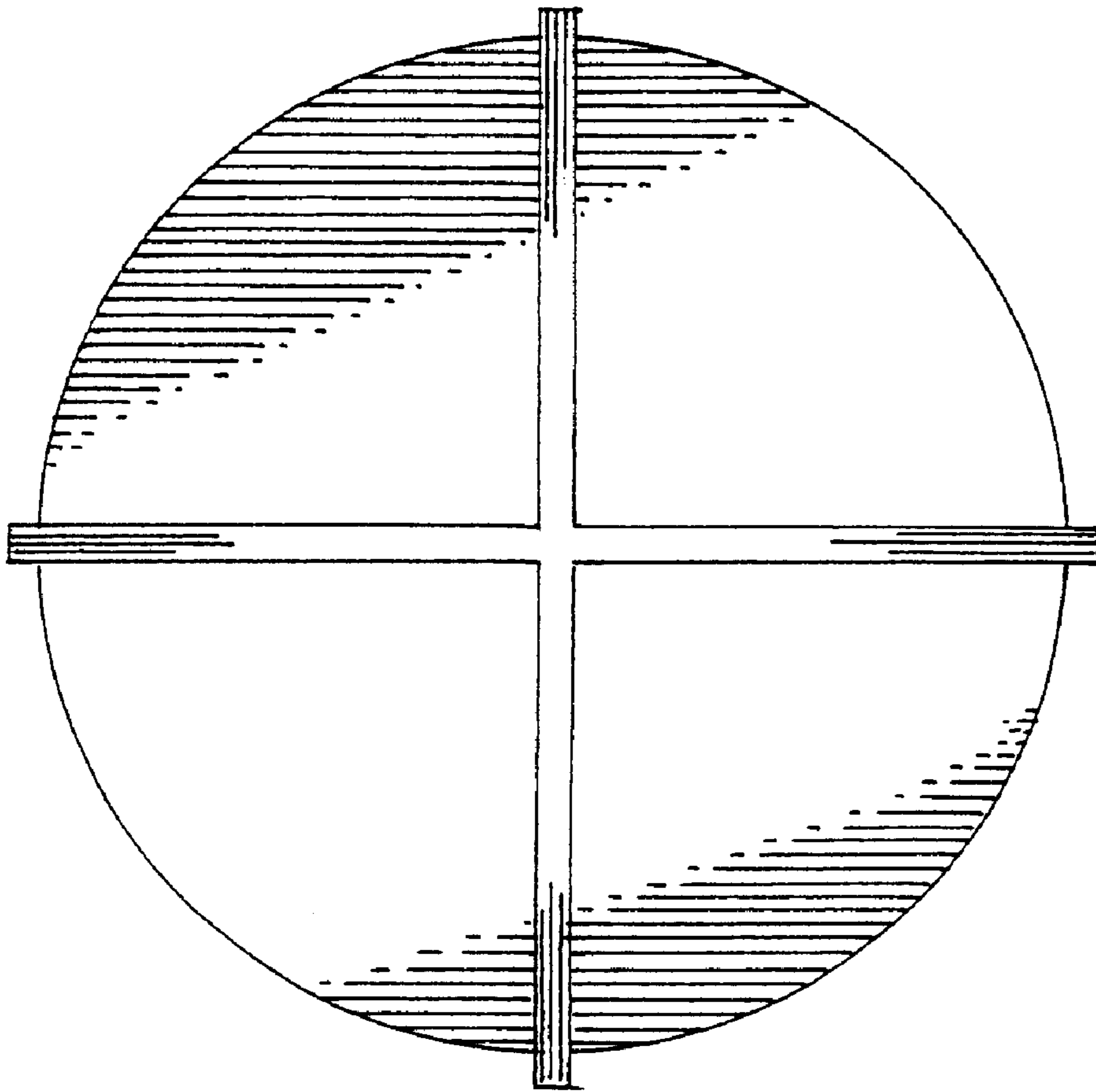


FIG. 2

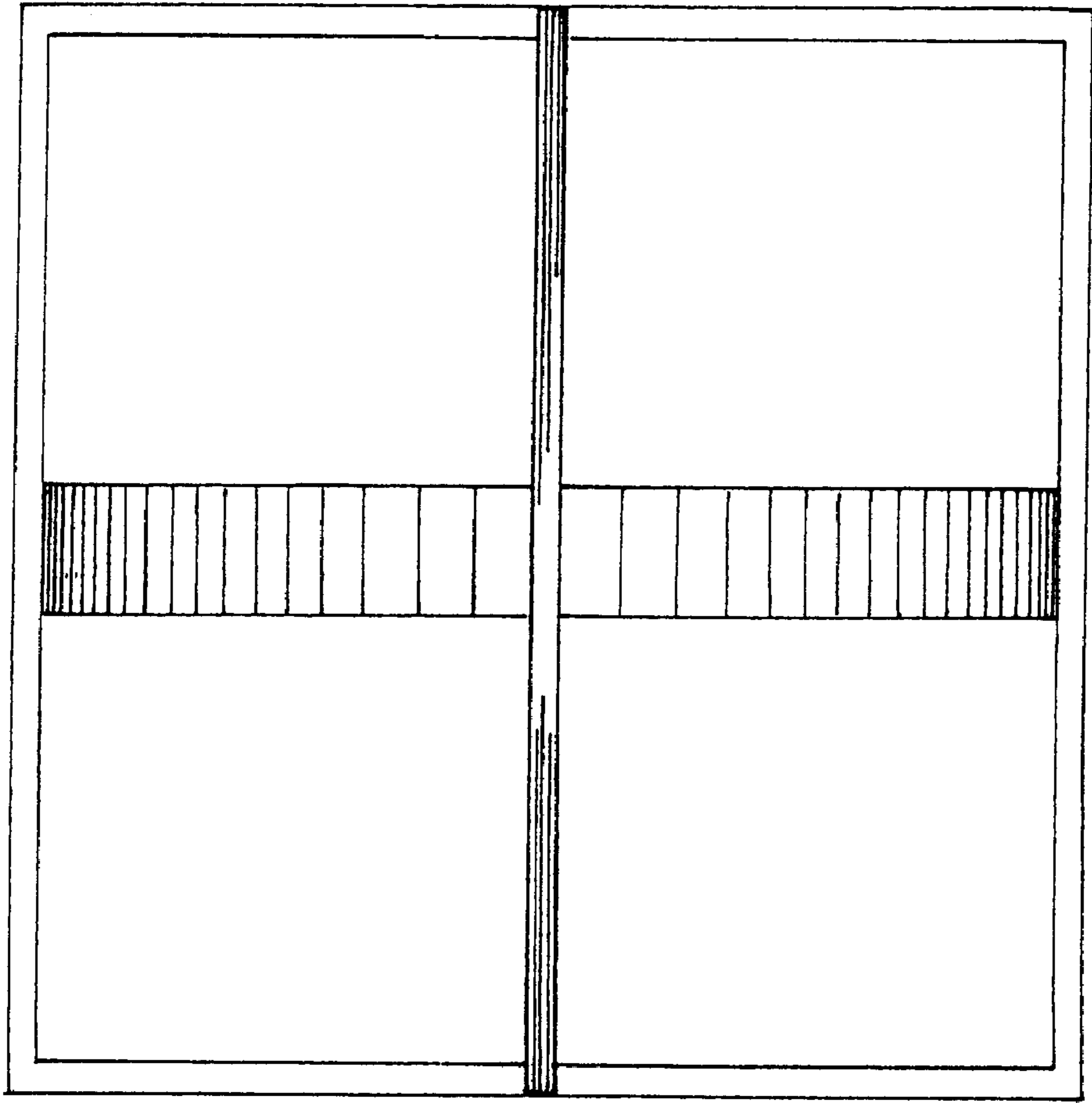


FIG. 3

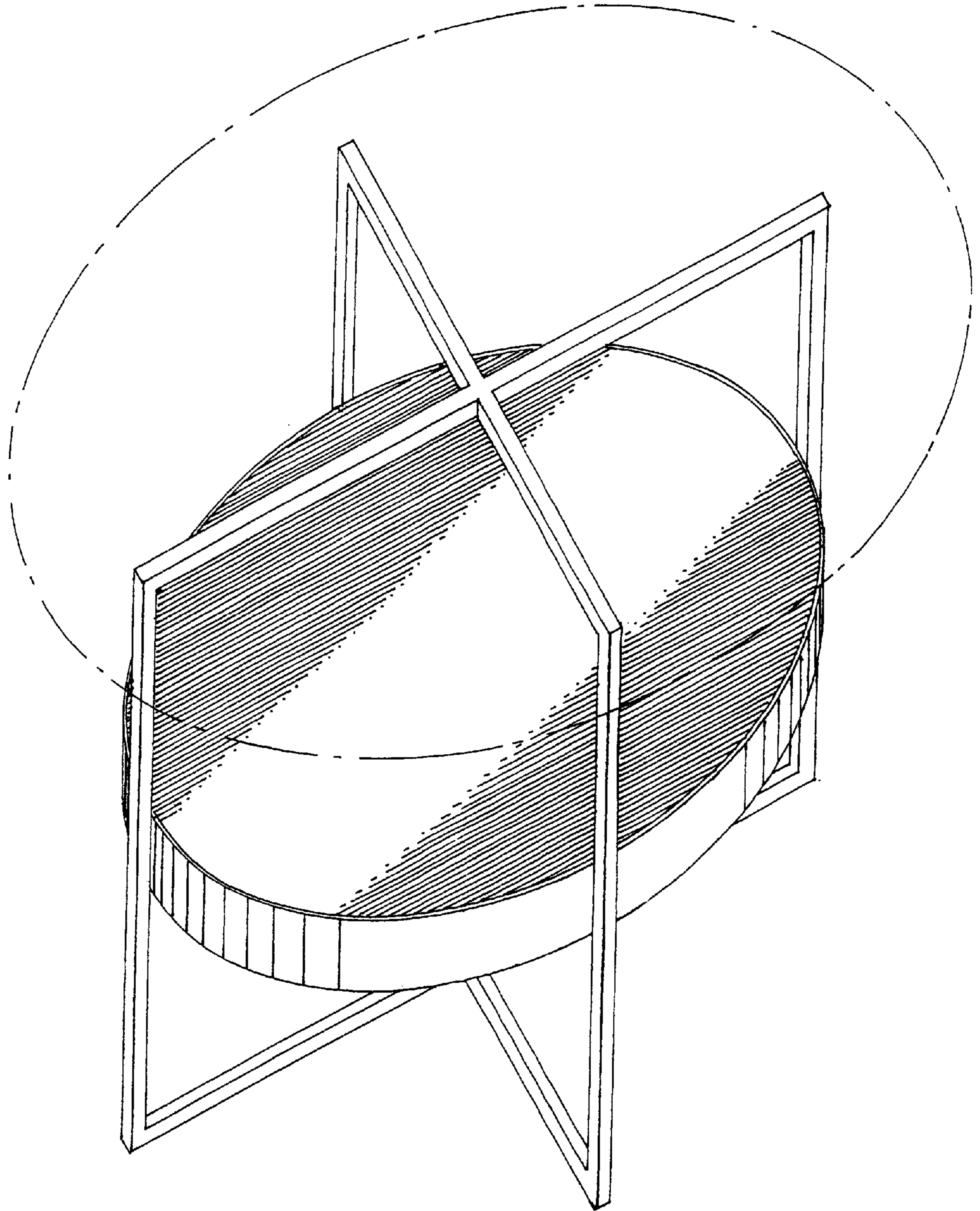


FIG. 4

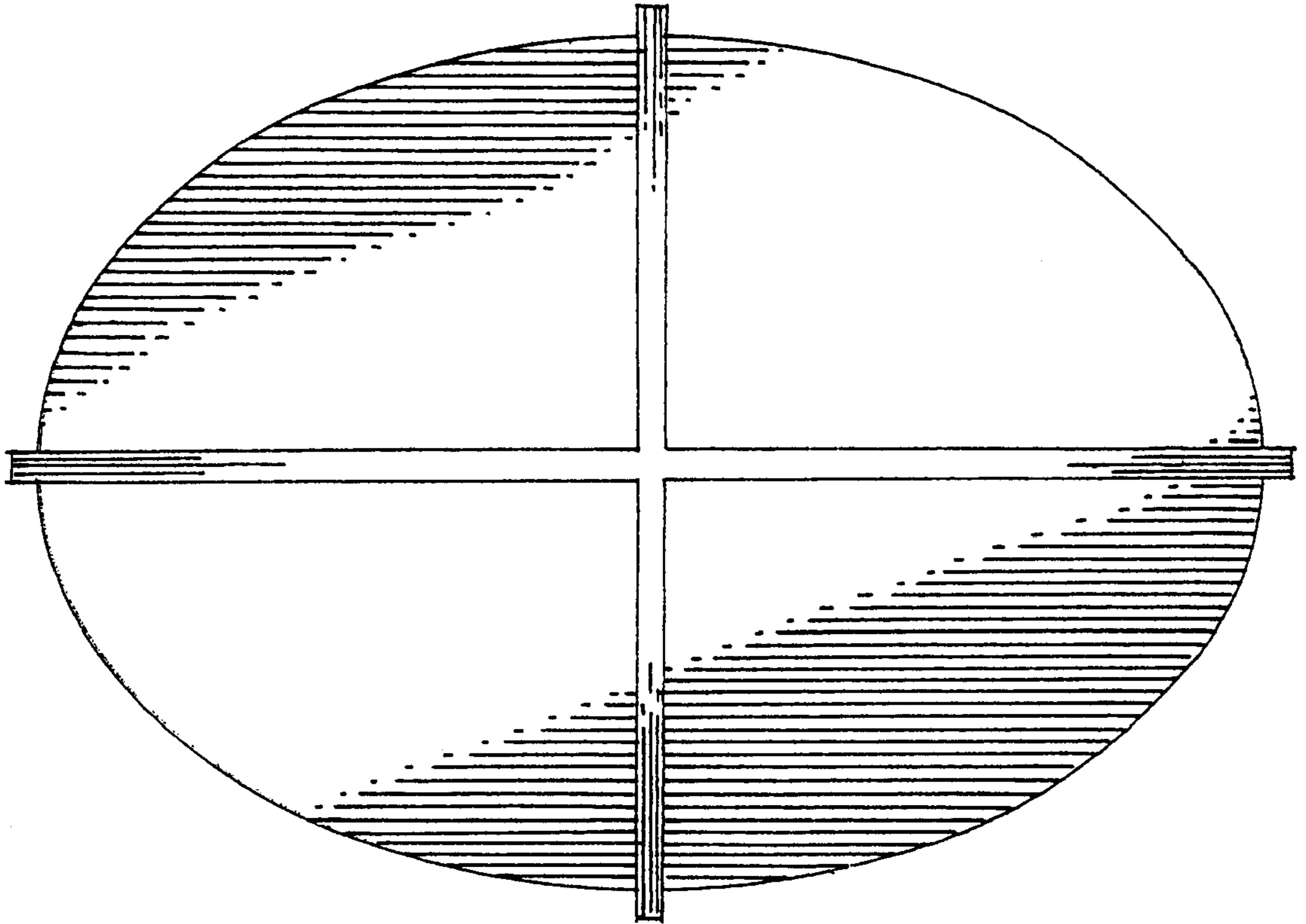


FIG. 5

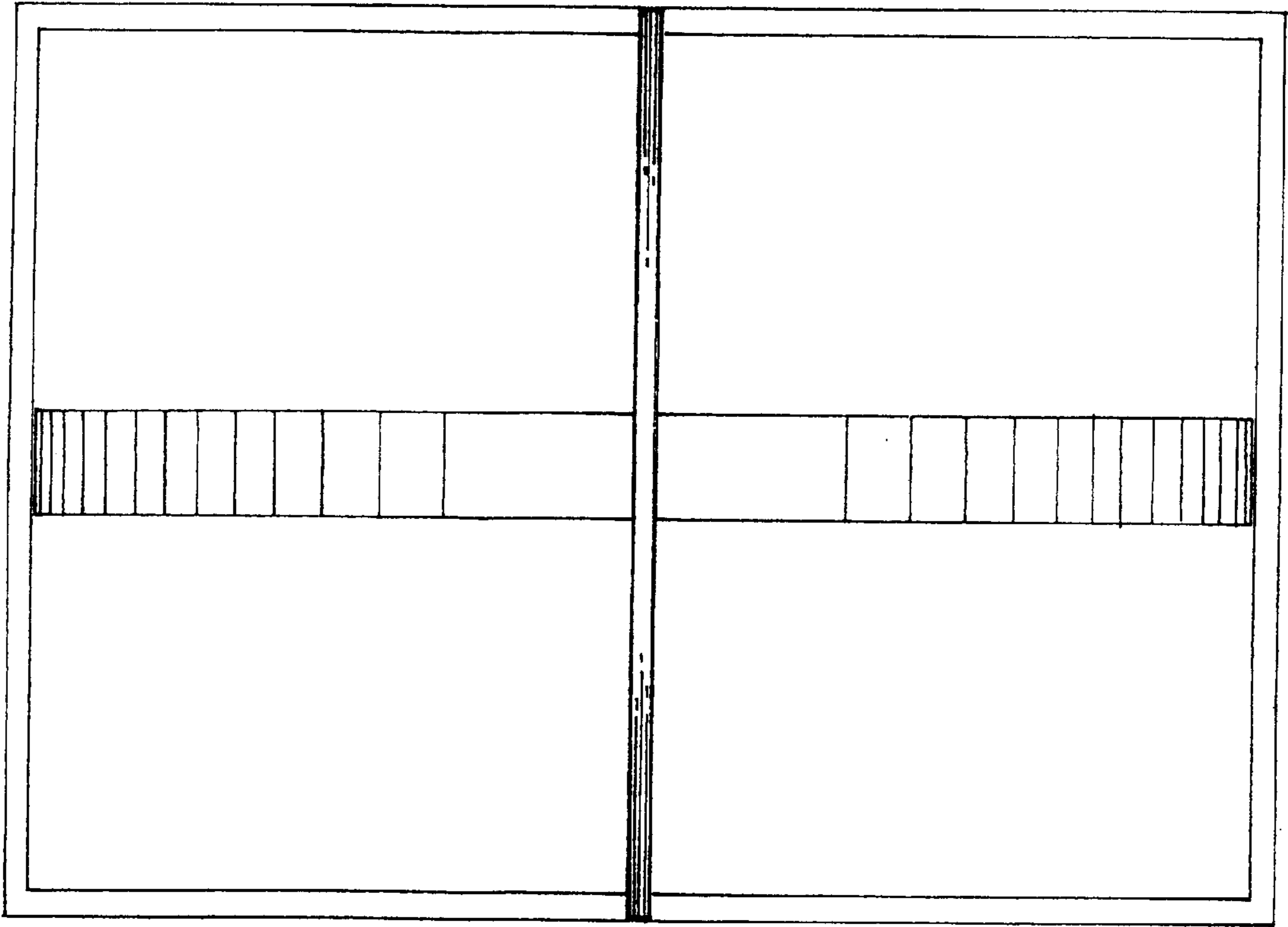


FIG. 6

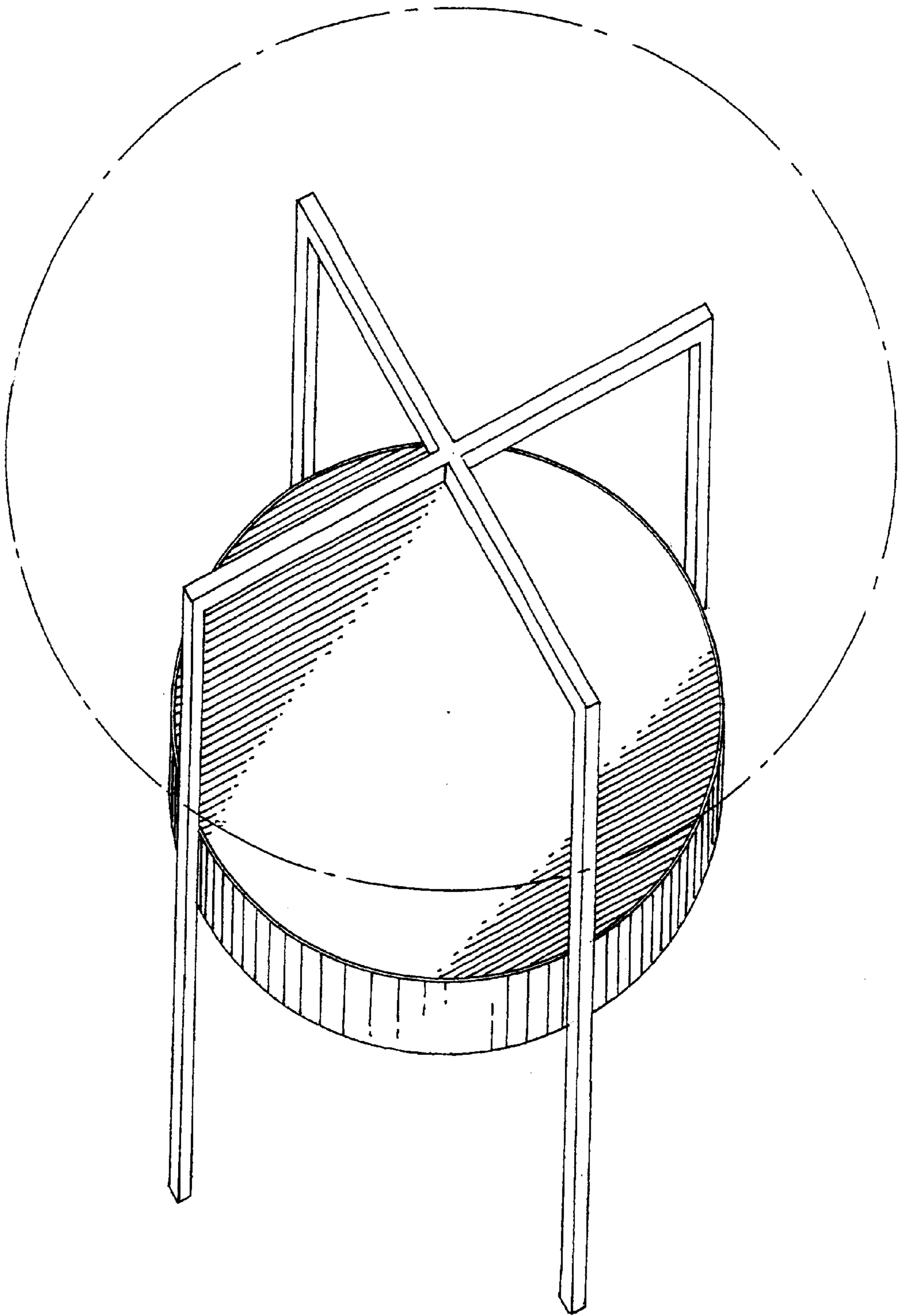


FIG. 7

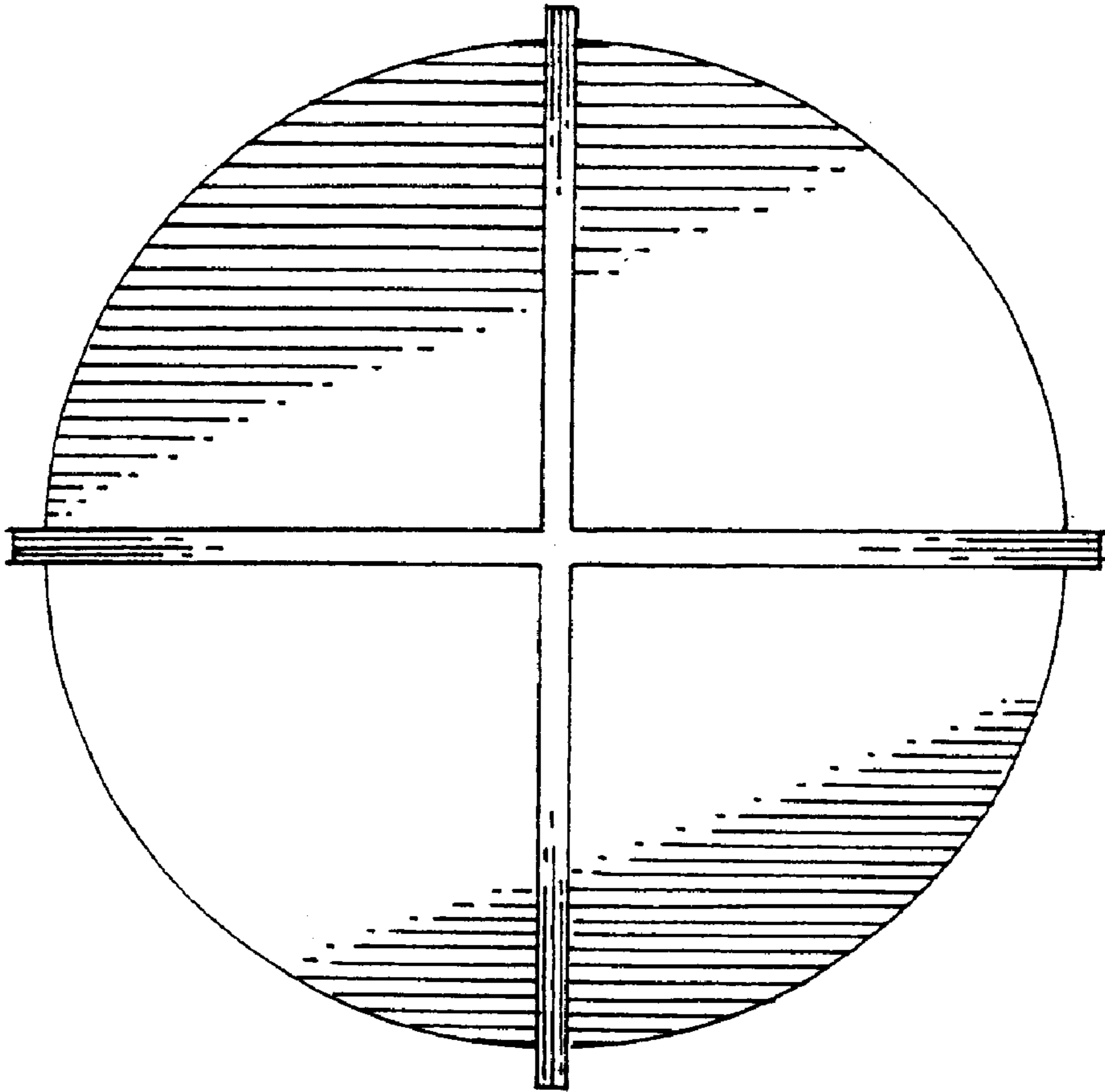


FIG. 8

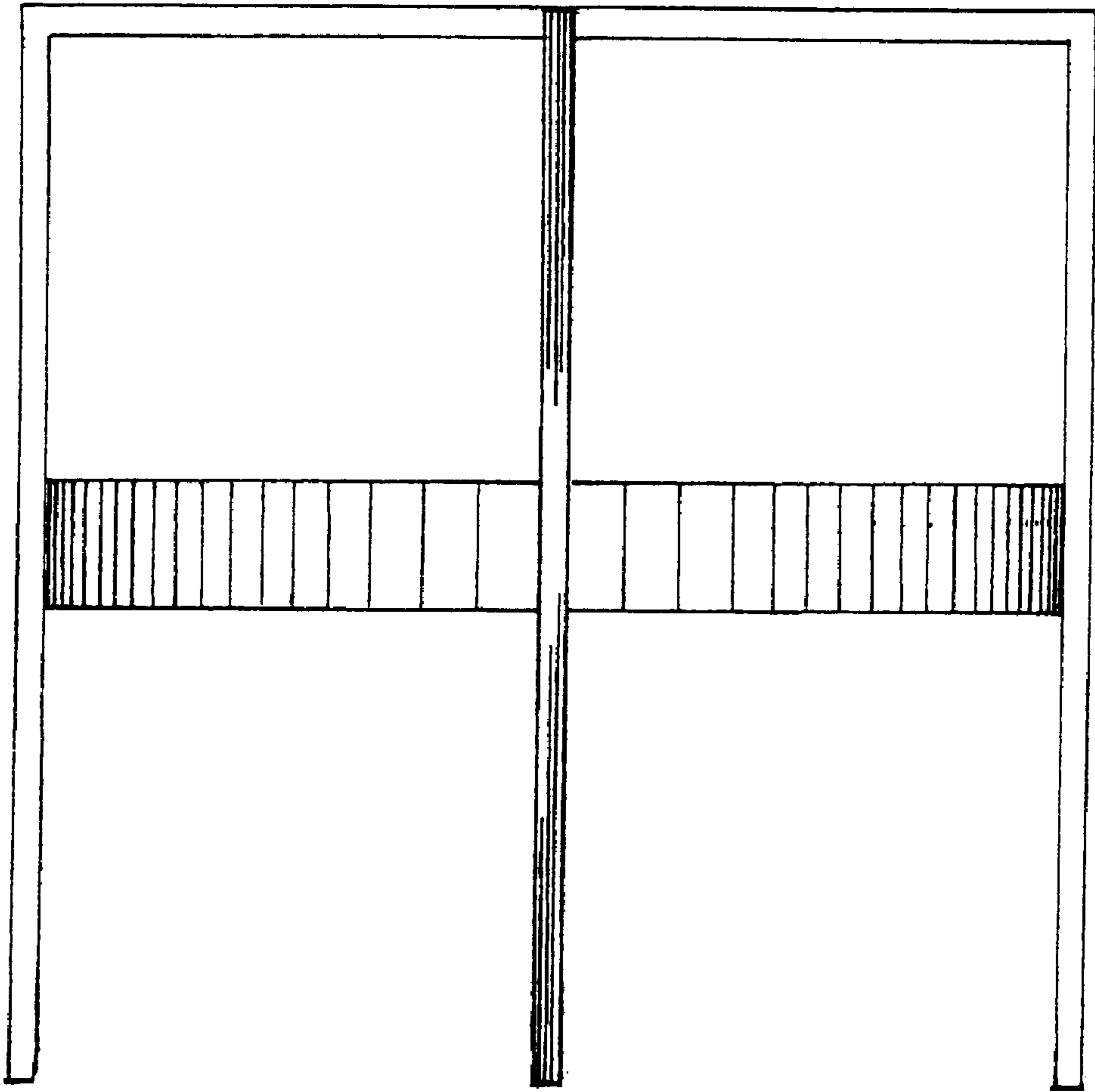


FIG. 9

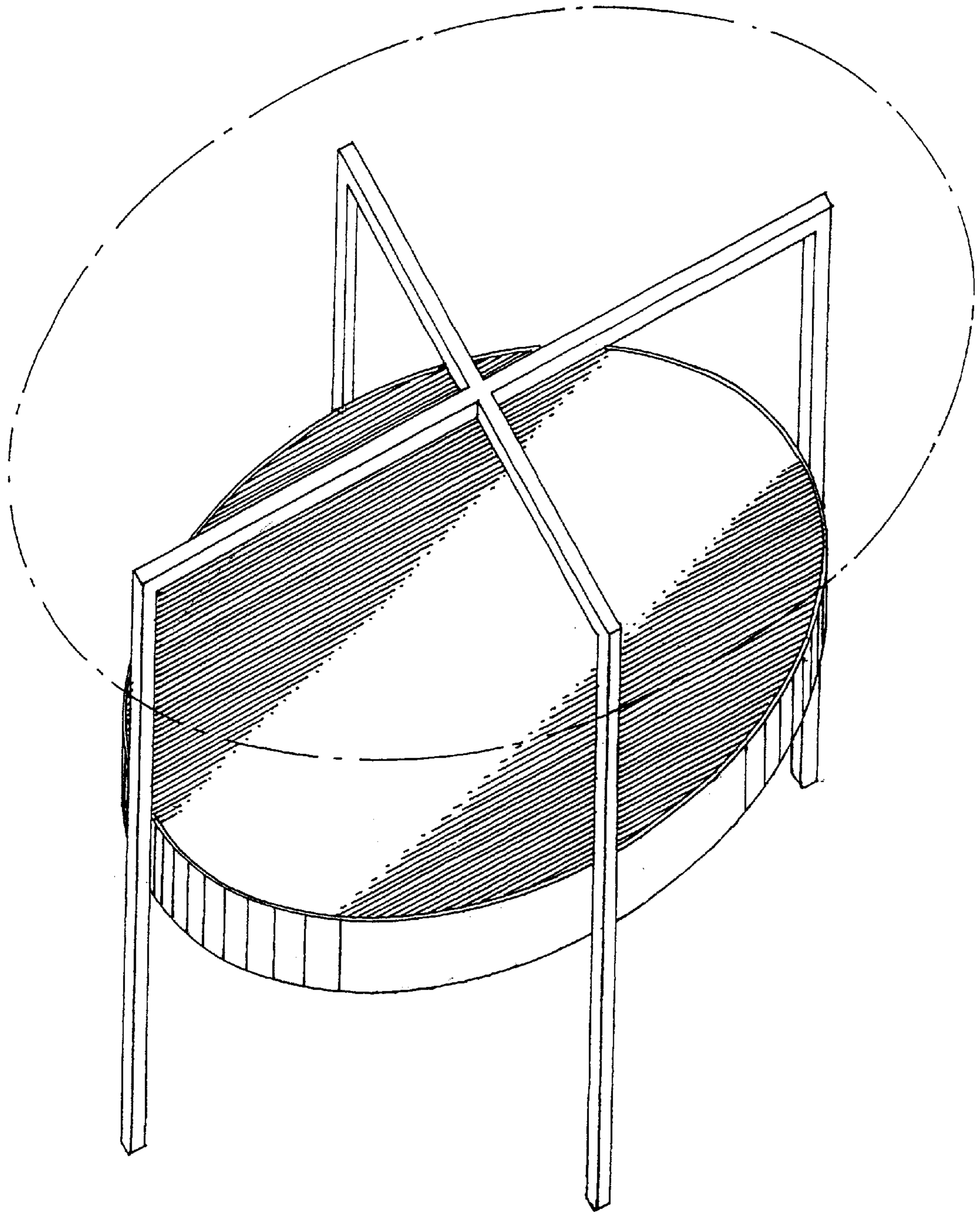


FIG. 10

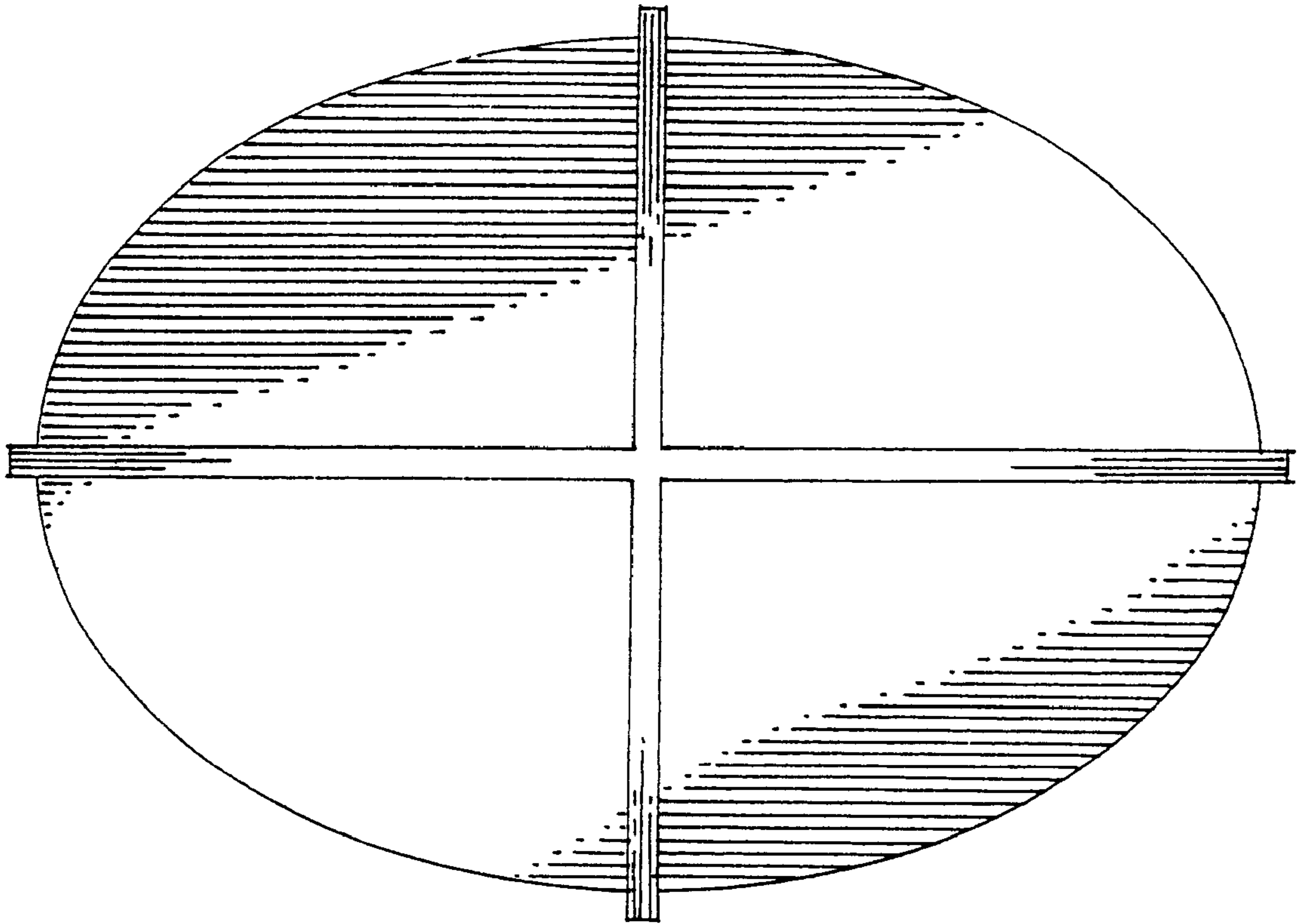


FIG. 11

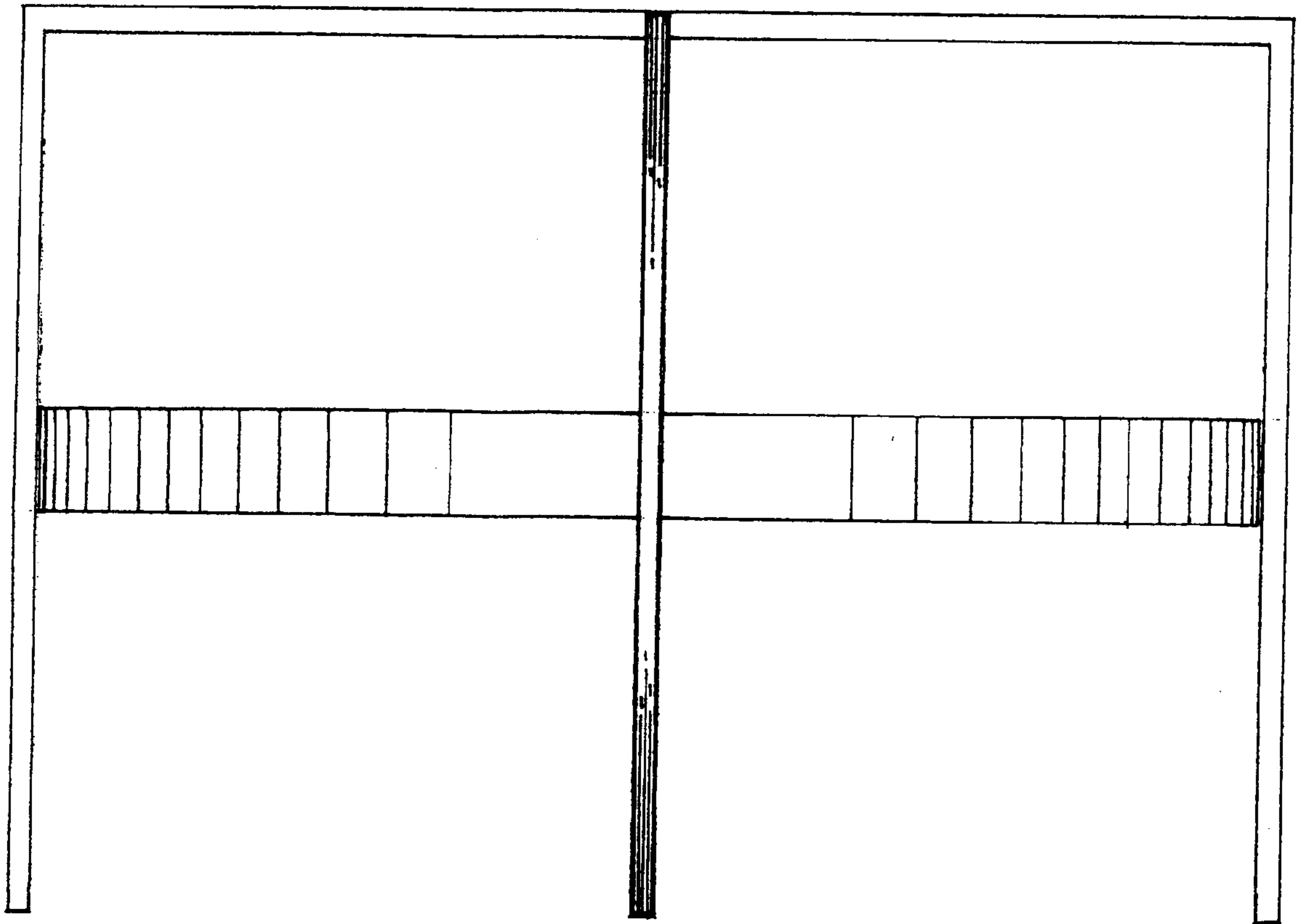


FIG. 12

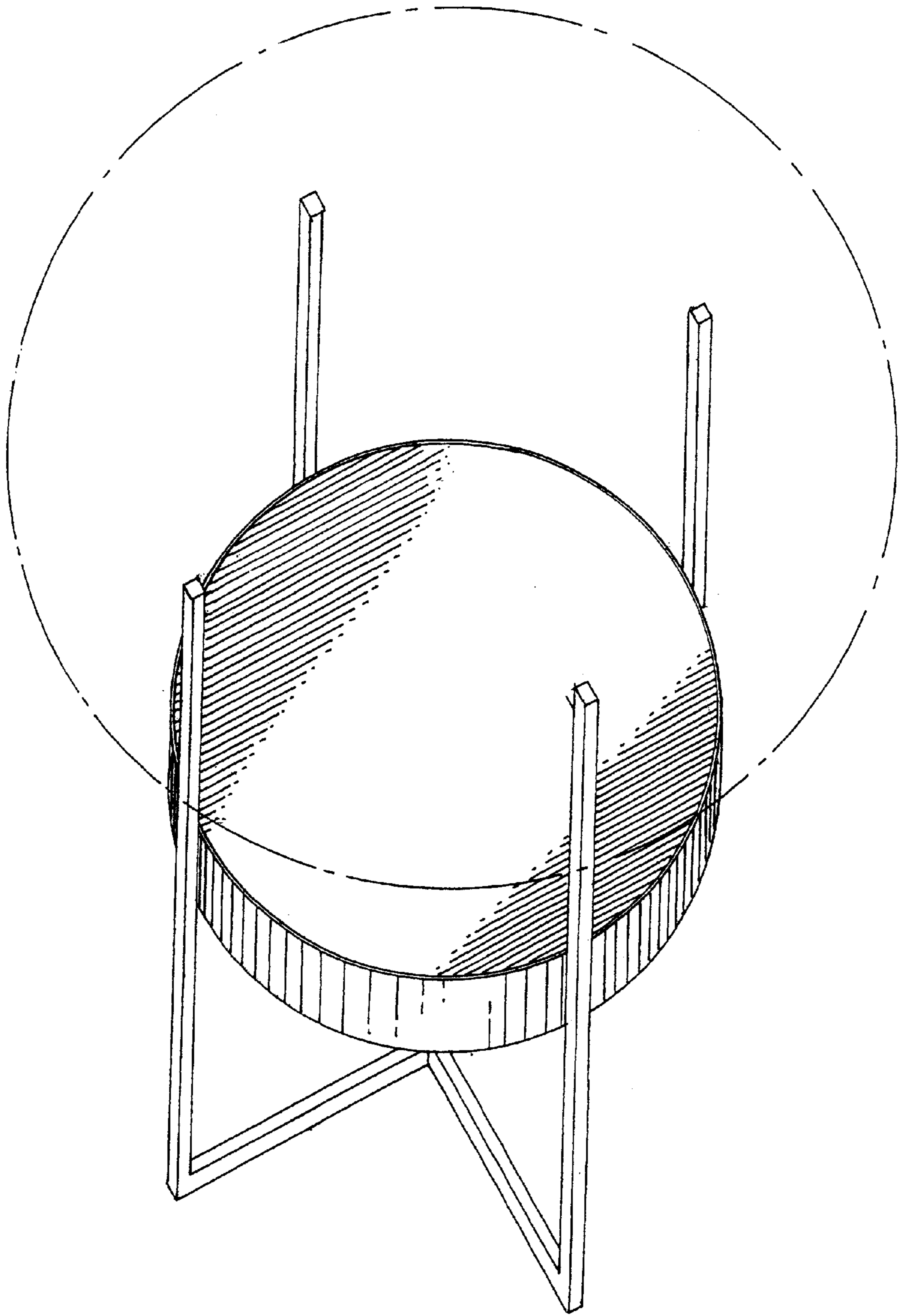


FIG. 13

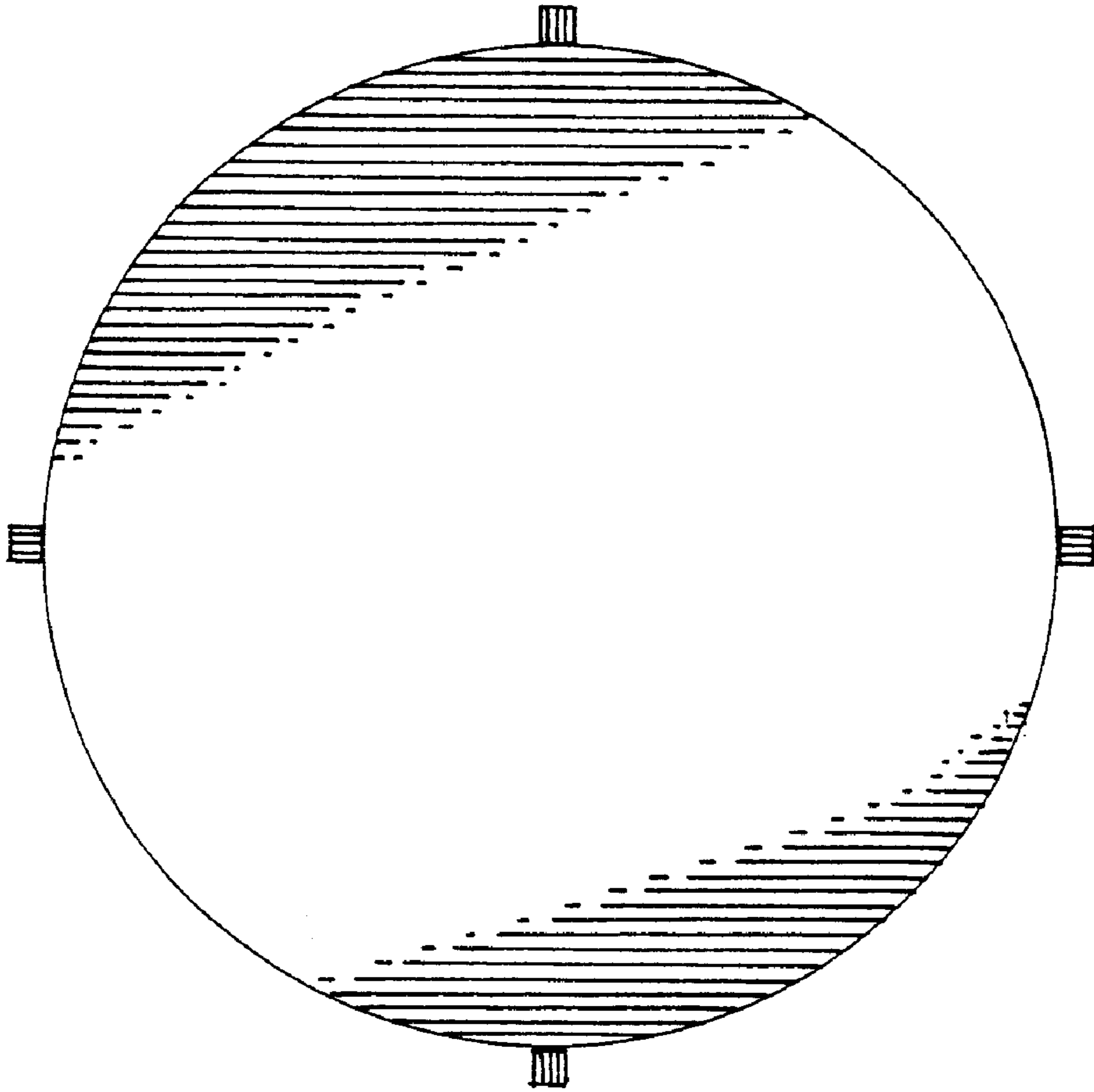


FIG. 14

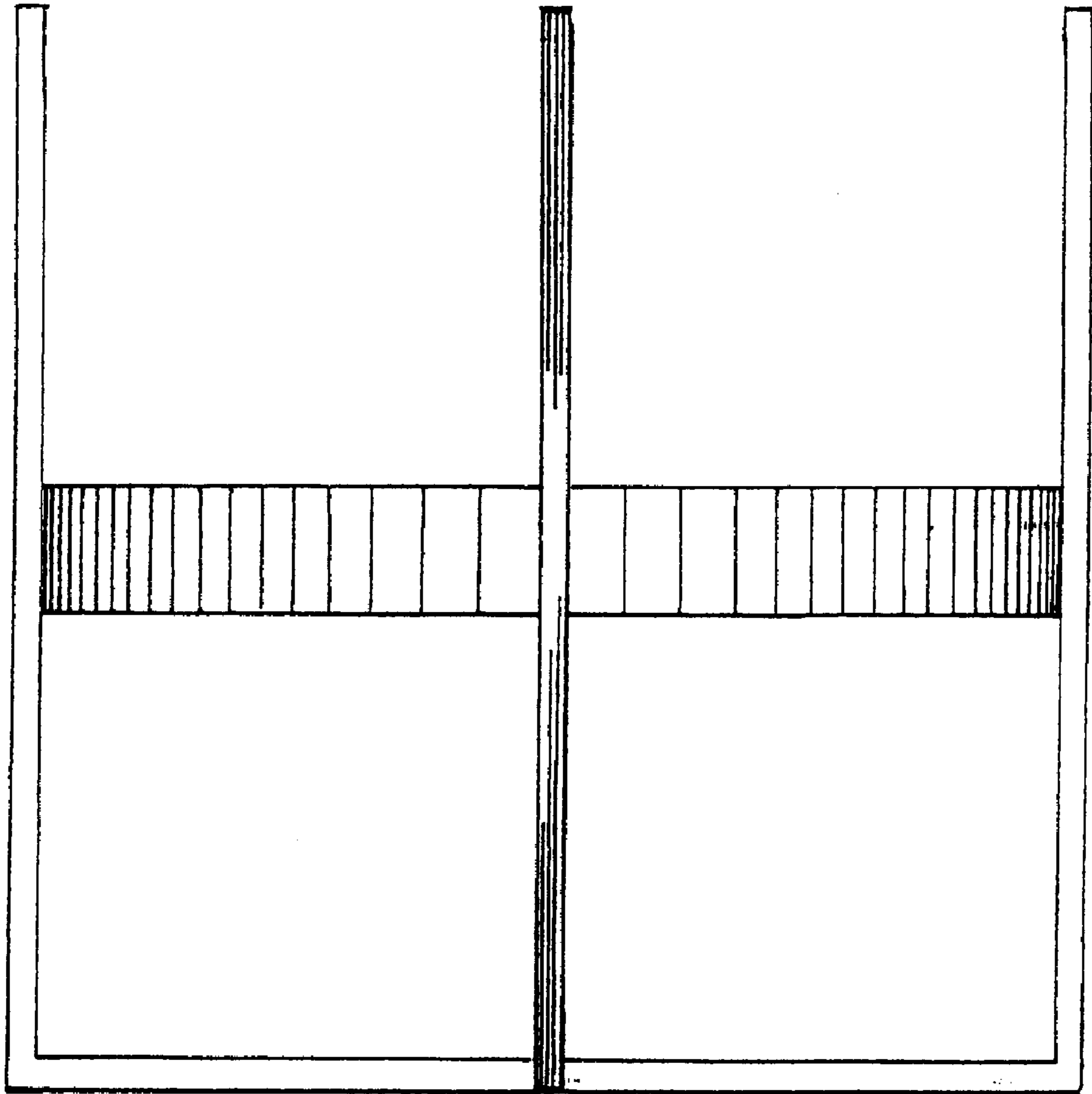


FIG. 15

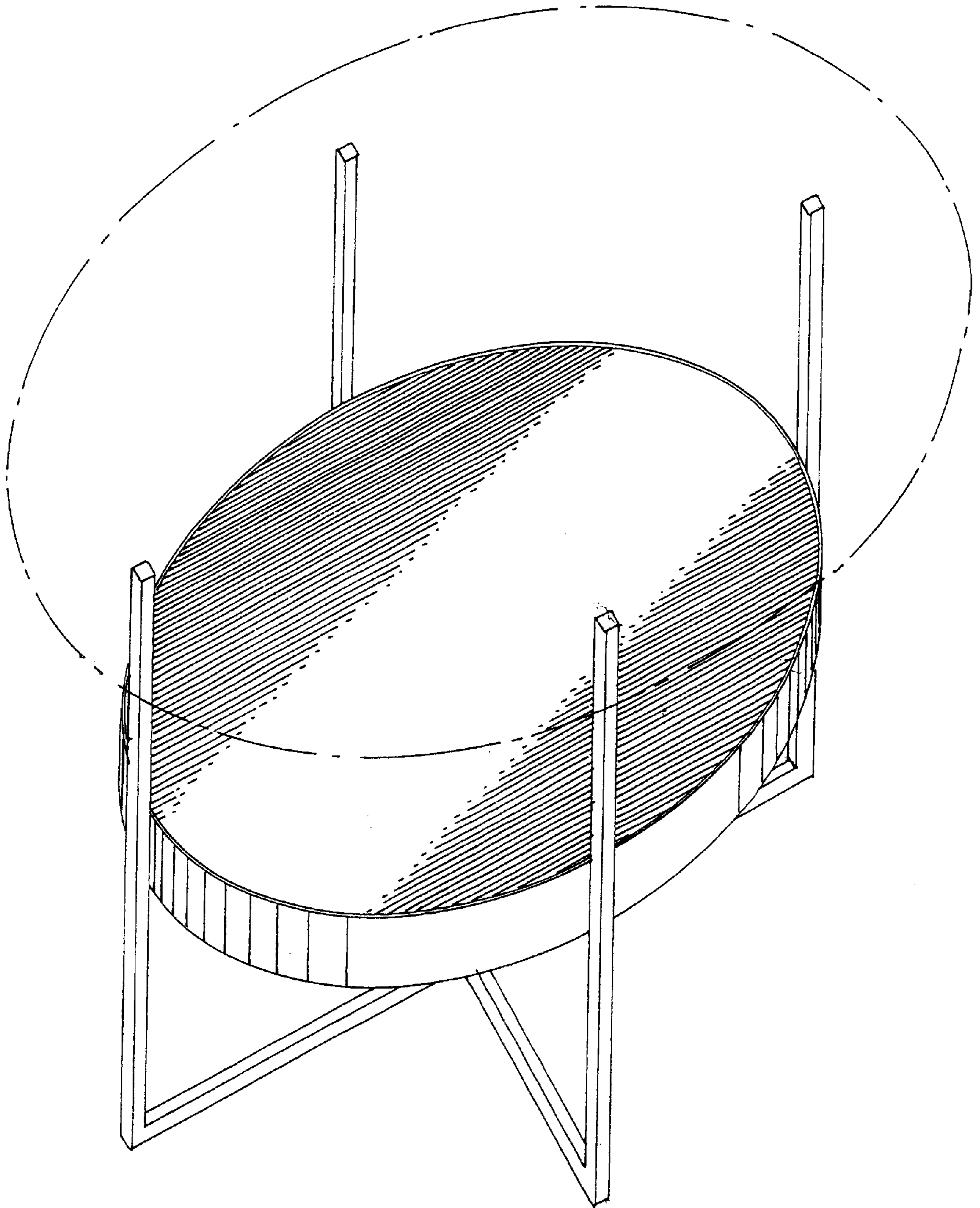


FIG. 16

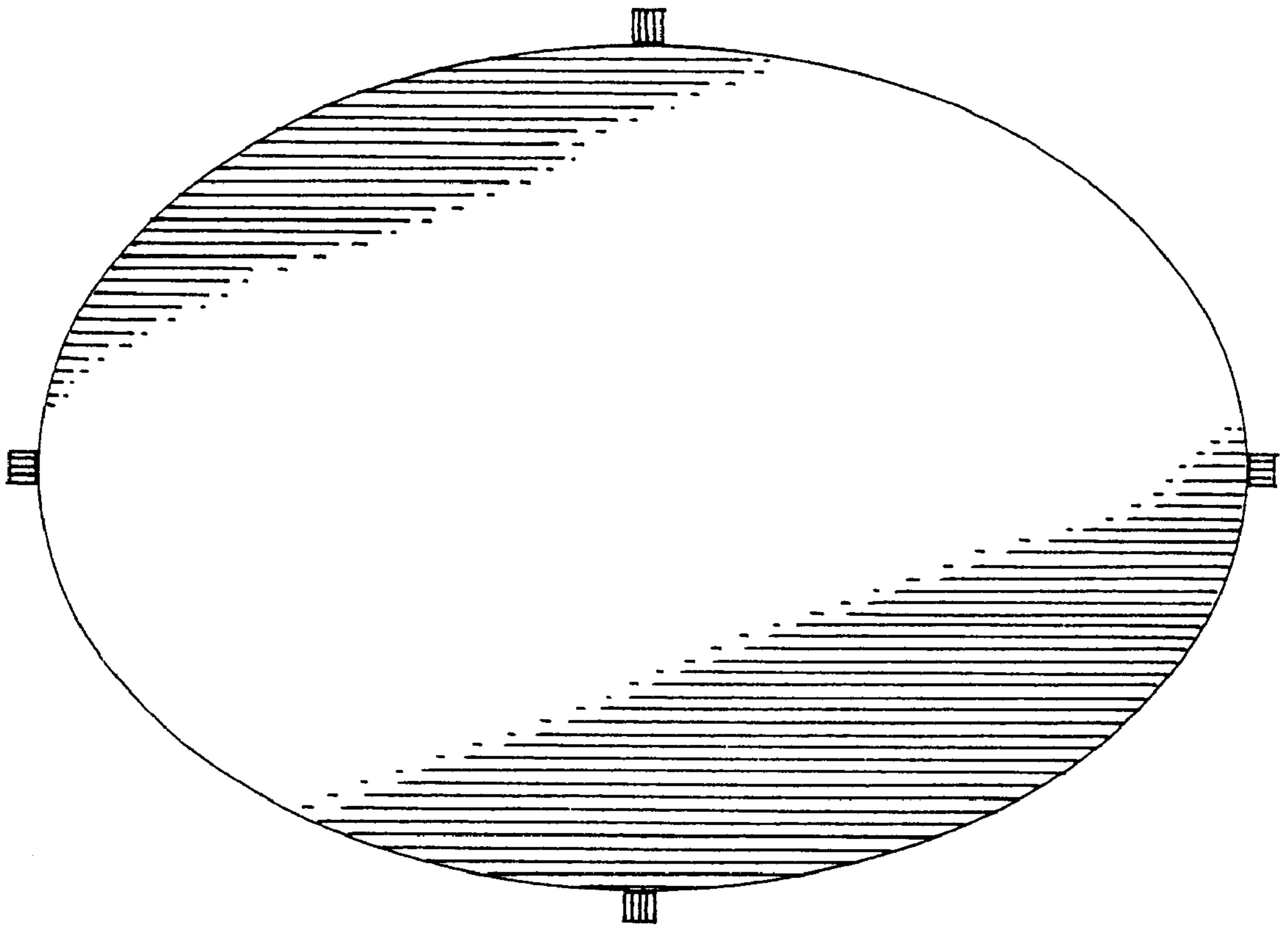


FIG. 17

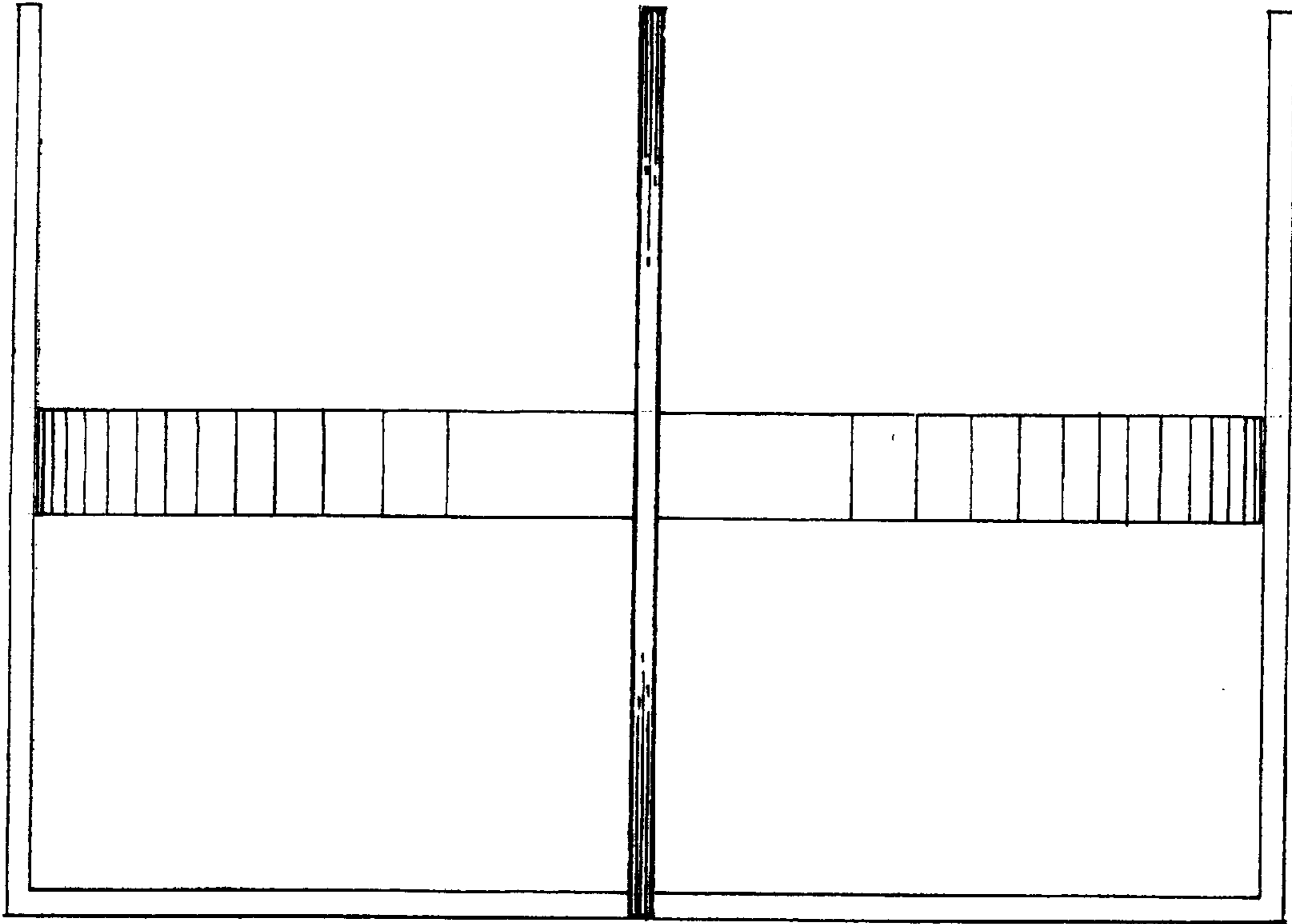


FIG. 18