



US00D453640S

(12) **United States Design Patent**  
**Goodman et al.**

(10) **Patent No.:** **US D453,640 S**

(45) **Date of Patent:** **\*\* Feb. 19, 2002**

(54) **MAGAZINE RACK**

D436,463 S \* 1/2001 Goodman et al. .... D6/462  
D436,464 S \* 1/2001 Goodman et al. .... D6/462

(75) Inventors: **Sheldon H. Goodman**, 30905 Stratford,  
Solon, OH (US) 44139; **Brian**  
**Stelmarski**, Mayfield Heights, OH (US)

\* cited by examiner

(73) Assignee: **Sheldon H. Goodman**, Solon, OH (US)

*Primary Examiner*—Cathron C. Brooks  
(74) *Attorney, Agent, or Firm*—Pearne & Gordon LLP

(\*\*) Term: **14 Years**

(57) **CLAIM**

(21) Appl. No.: **29/135,541**

The ornamental design for a magazine rack, as shown and described.

(22) Filed: **Jan. 12, 2001**

(51) **LOC (7) Cl.** ..... **06-04**

(52) **U.S. Cl.** ..... **D6/462**

(58) **Field of Search** ..... D6/343, 397, 409–415,  
D6/458, 462–468, 477, 479, 475, 455, 456,  
546; 108/50.11, 59, 91, 92, 93; 211/13.1,  
37, 38, 85.3, 85.4, 30, 34, 42, 49.1, 90.03,  
106, 119, 134, 186–189, 181.1, 200, 204–208;  
248/441.1, 465.1, 175, 451, 124.1, 448

**DESCRIPTION**

FIG. 1 is a perspective view of a magazine rack showing our new design;

FIG. 2 is a front elevational view thereof;

FIG. 3 is a right side elevational view thereof, the left side view being a mirror image;

FIG. 4 is a bottom plan view thereof; and,

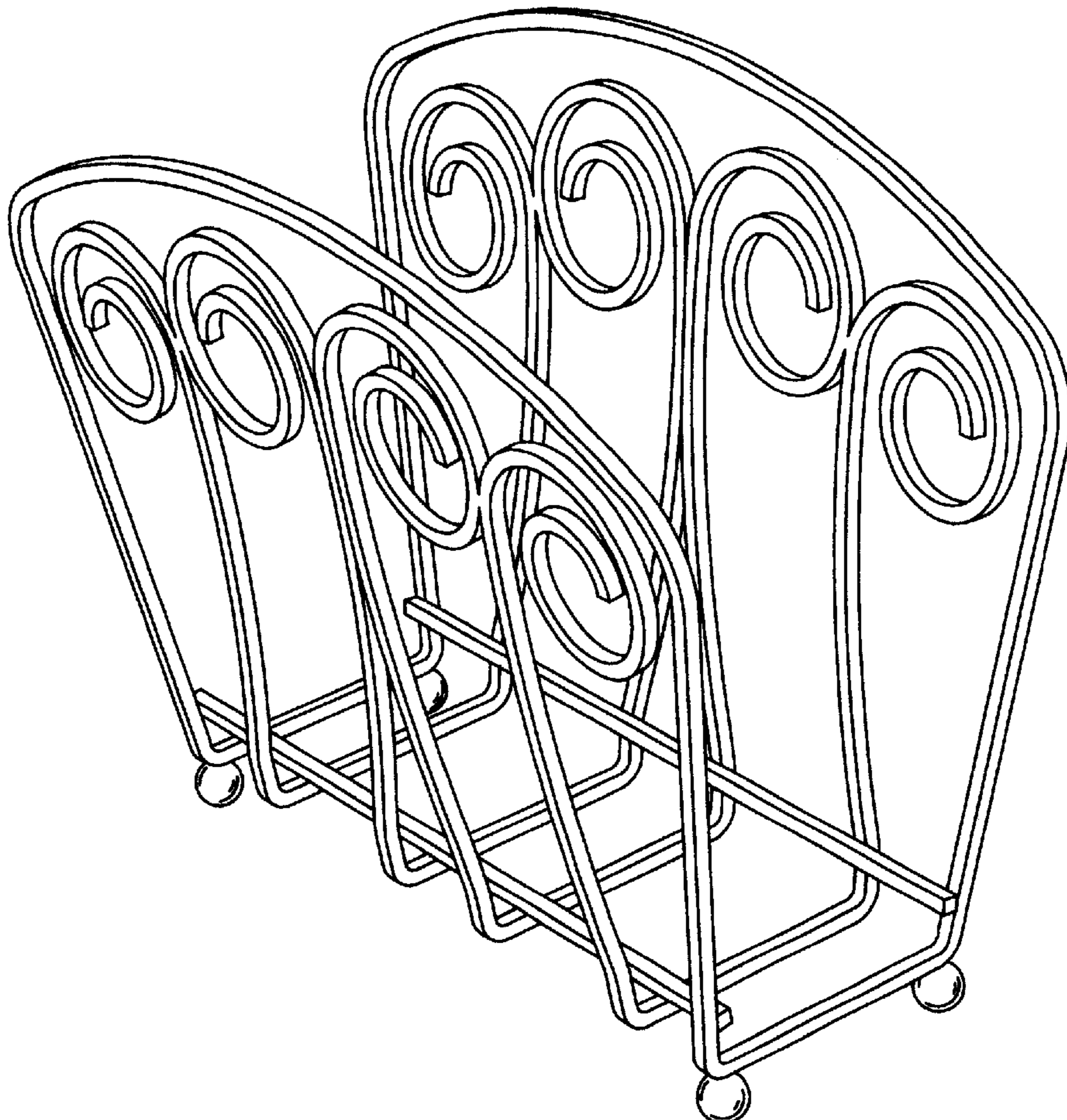
FIG. 5 is a top plan view thereof.

(56) **References Cited**

**U.S. PATENT DOCUMENTS**

4,117,936 A \* 10/1978 Dawson ..... 211/50

**1 Claim, 2 Drawing Sheets**



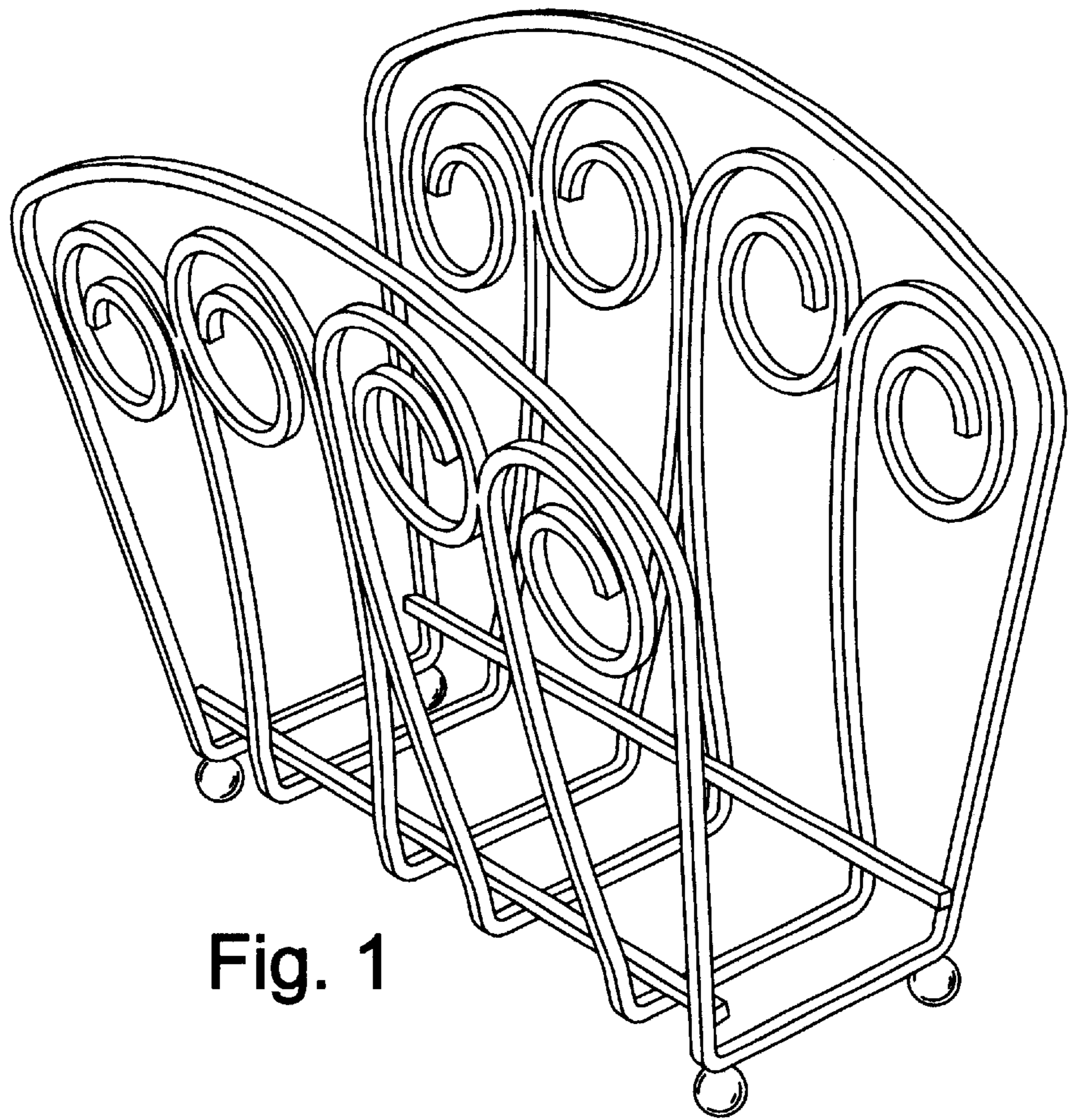


Fig. 1

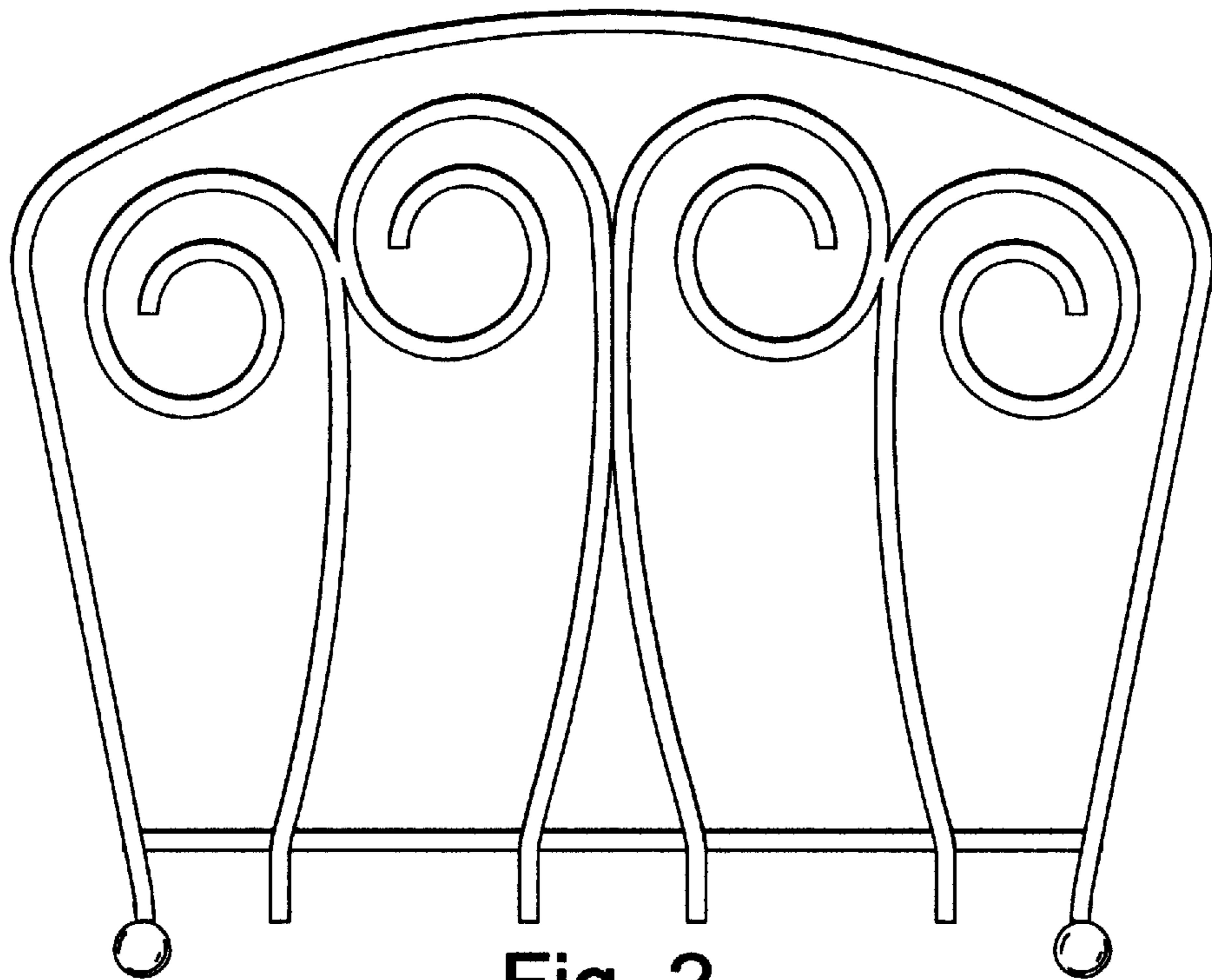


Fig. 2

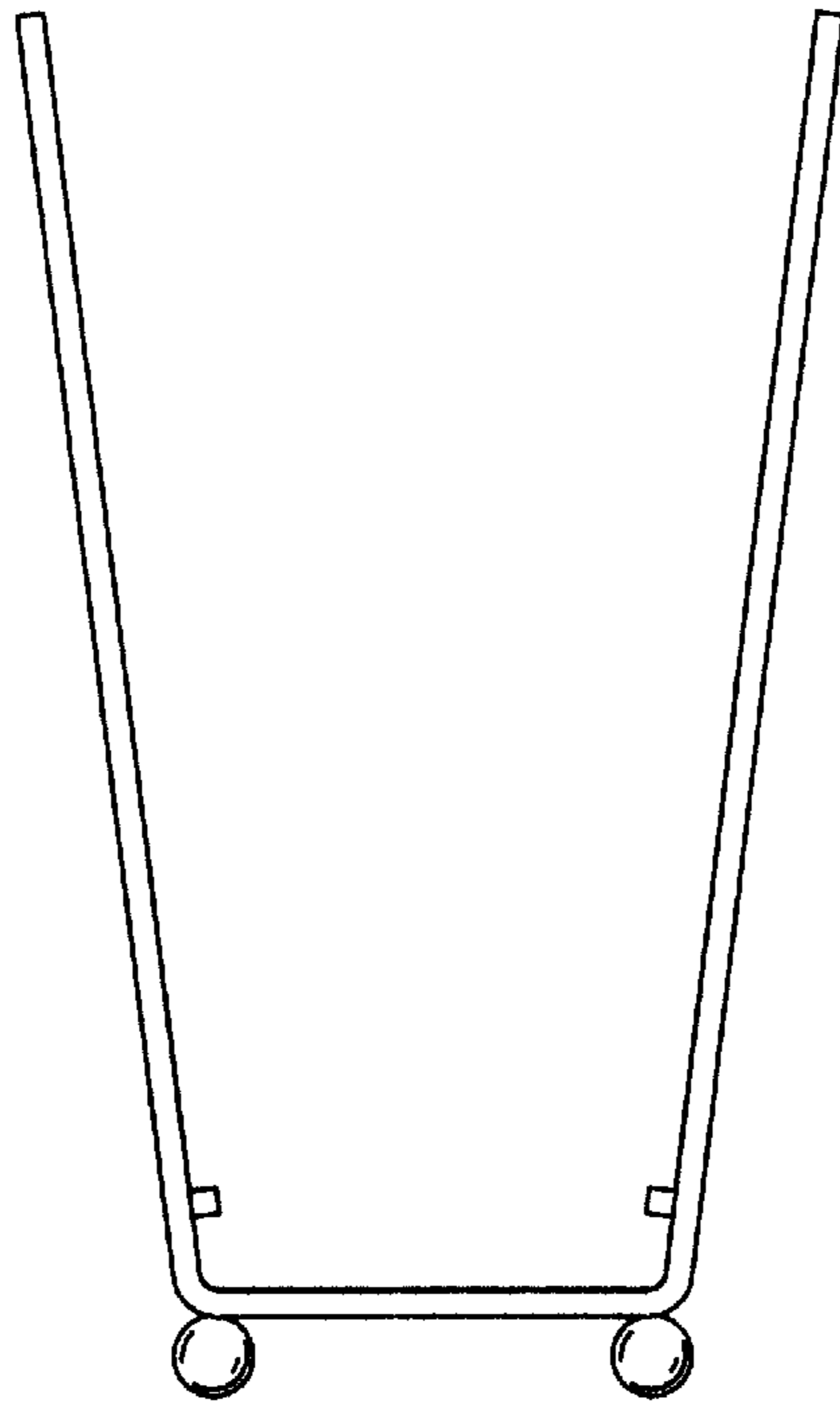


Fig. 3

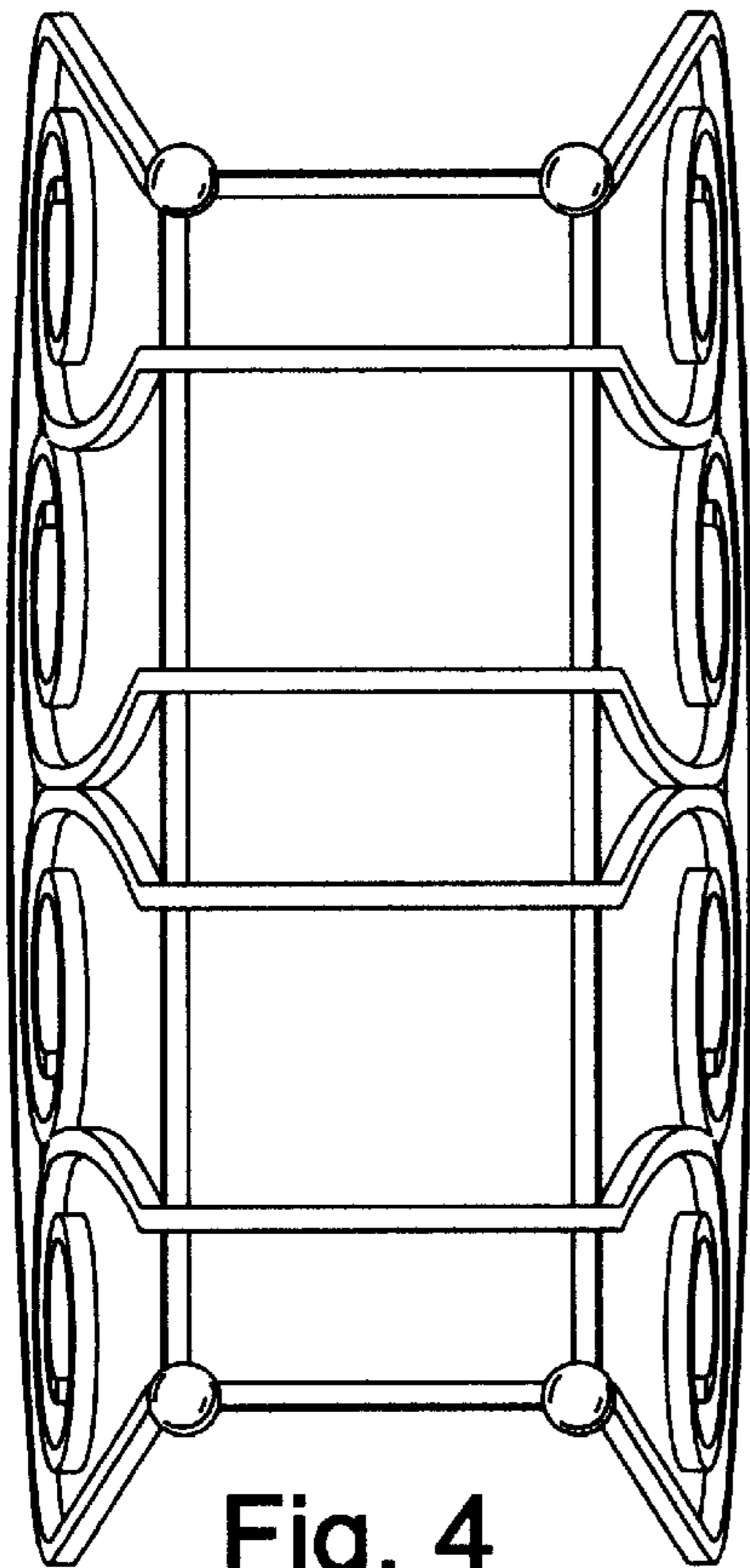


Fig. 4

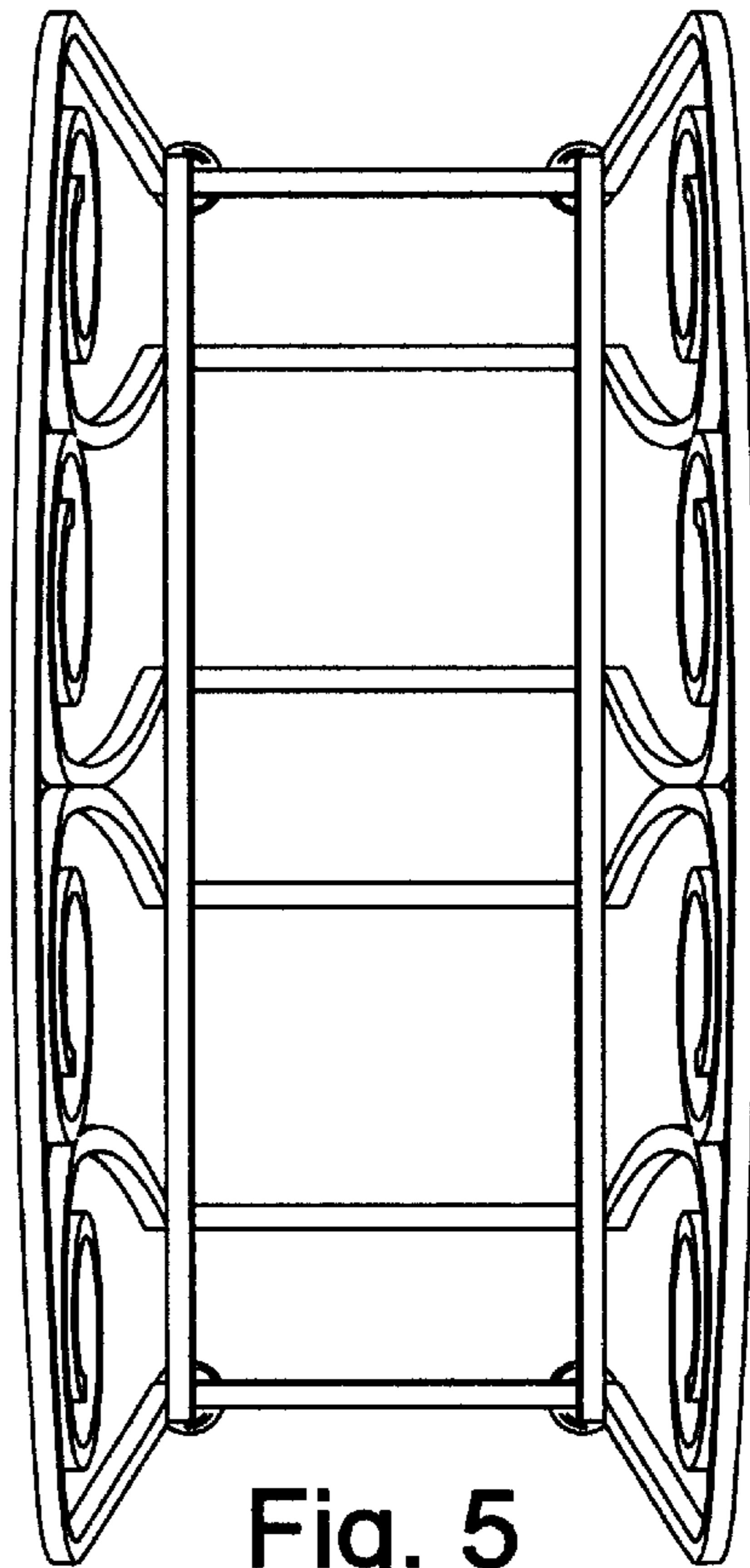


Fig. 5