



US00D453639S

(12) **United States Design Patent**
Dordoni

(10) **Patent No.: US D453,639 S**

(45) **Date of Patent: ** *Feb. 19, 2002**

(54) **BED**

(75) **Inventor: Rodolfo Dordoni, Milan (IT)**

(73) **Assignee: Flou S.p.A., Meda (IT)**

(*) **Notice:** This patent is subject to a terminal disclaimer.

(**) **Term: 14 Years**

(21) **Appl. No.: 29/129,842**

(22) **Filed: Sep. 22, 2000**

(30) **Foreign Application Priority Data**

Mar. 23, 2000 (IT) MI0000191

(51) **LOC (7) Cl. 06-01**

(52) **U.S. Cl. D6/393**

(58) **Field of Search** D6/382, 392-395,
D6/505-508; 5/53.1, 279.1, 280, 281, 907

(56) **References Cited**

U.S. PATENT DOCUMENTS

3,327,328 A * 6/1967 Slivoski 5/53.1

D243,987 S * 4/1977 Carter D6/507
D288,874 S * 3/1987 Yosimoto D6/382
D361,872 S * 8/1995 McMahon et al. D30/118
D376,276 S * 12/1996 Good D6/393
D393,378 S * 4/1998 Hutton D6/393

* cited by examiner

Primary Examiner—Janice E. Seeger

(74) *Attorney, Agent, or Firm*—Herbert Dubno

(57) **CLAIM**

The ornamental design for a bed, as shown and described.

DESCRIPTION

FIG. 1 is a top, right side, front perspective view of a bed showing my new design;

FIG. 2 is a top, front perspective view thereof;

FIG. 3 is a right side elevational view thereof, the left side elevational view being mirror symmetrical thereto;

FIG. 4 is a rear elevational view thereof; and,

FIG. 5 is a bottom view thereof.

1 Claim, 3 Drawing Sheets

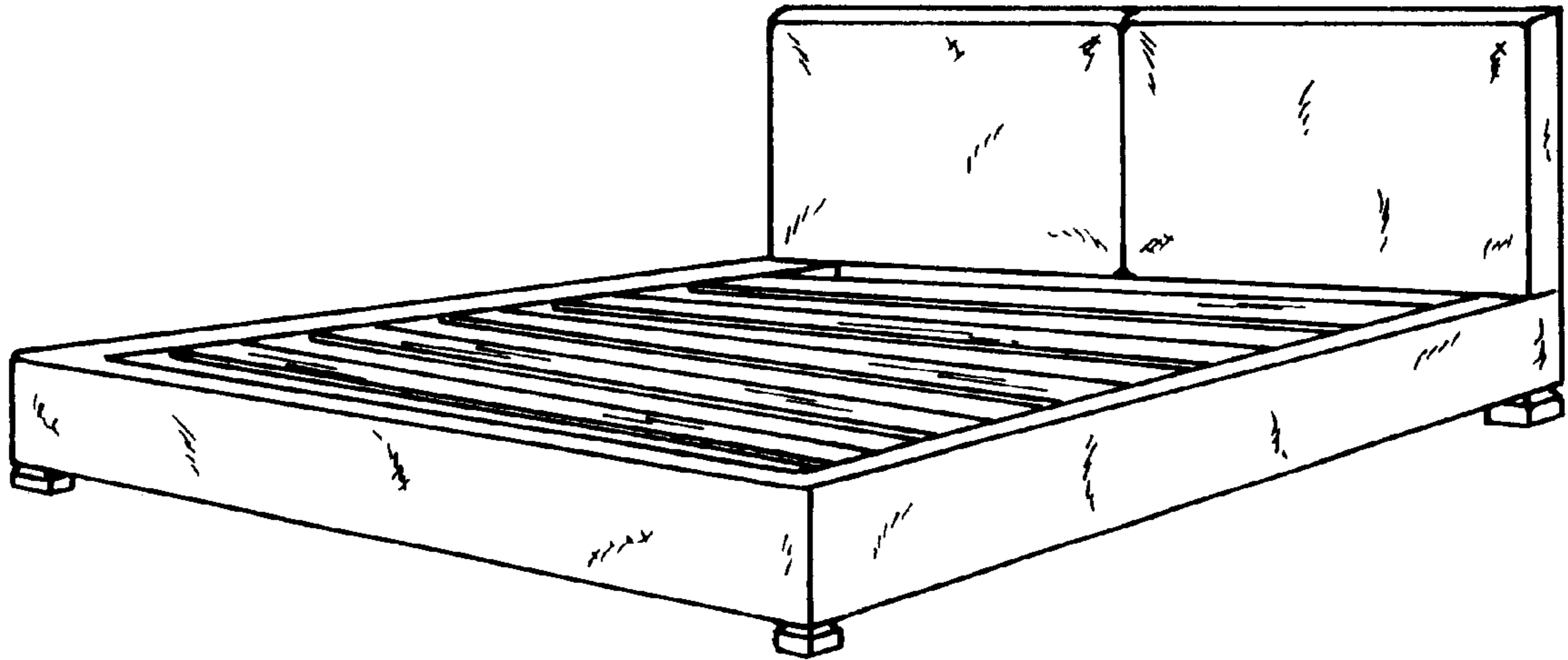


Fig. 1

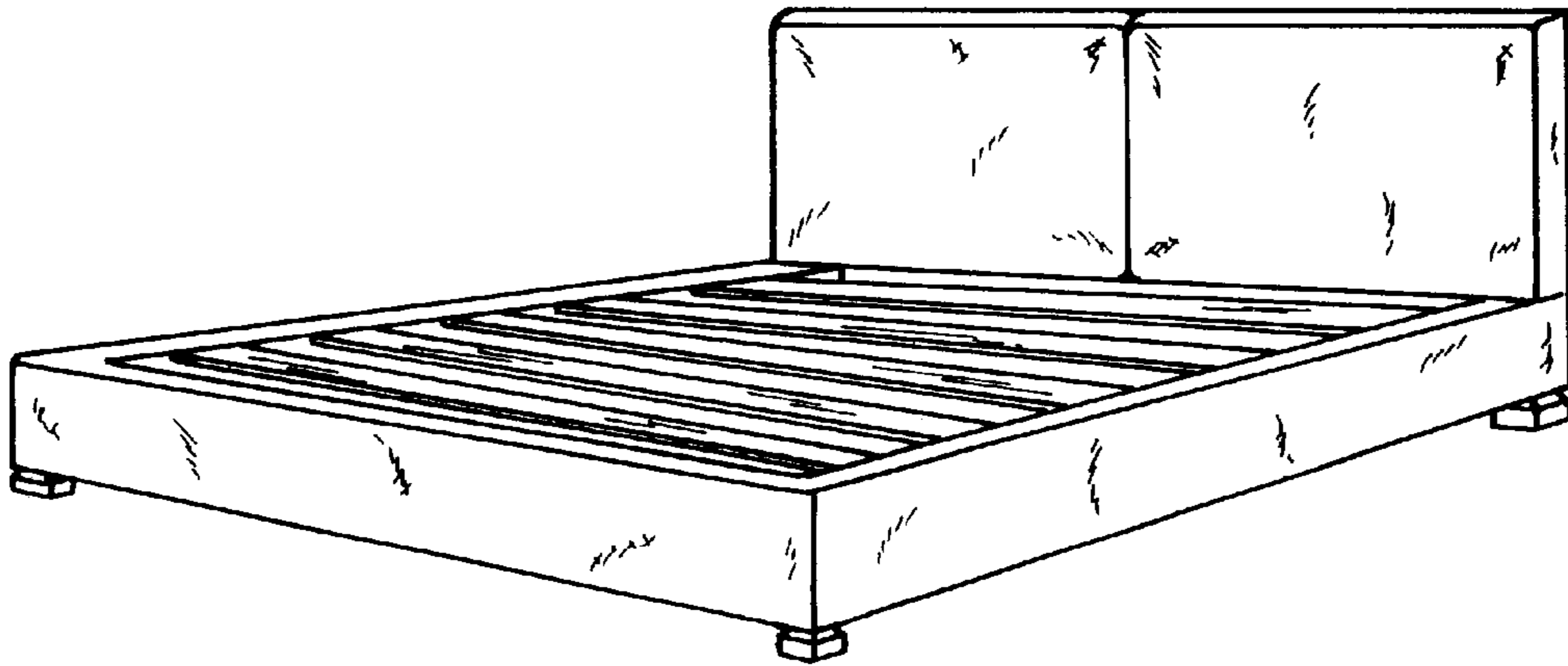


Fig. 2

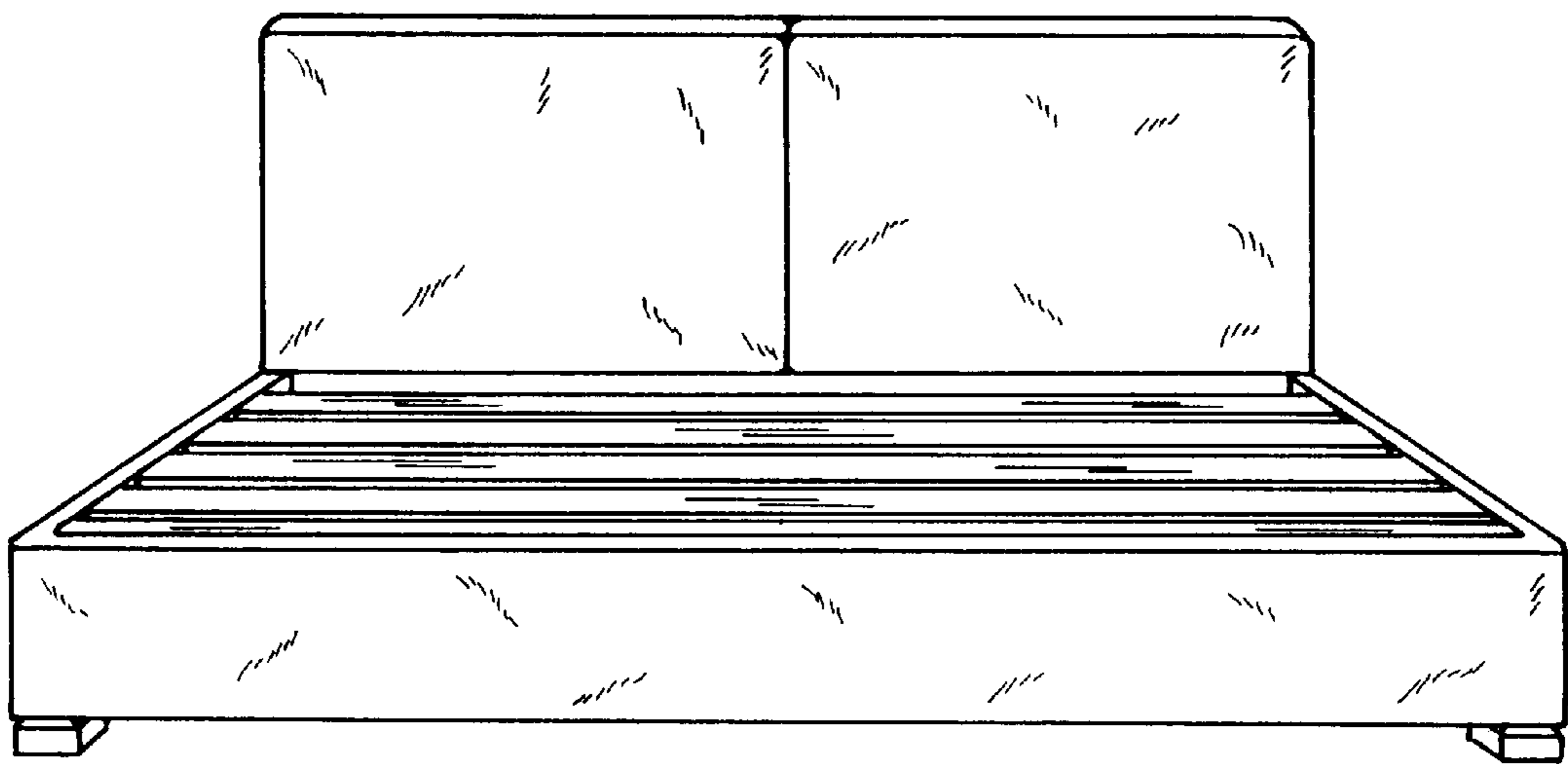


Fig. 3



Fig. 4

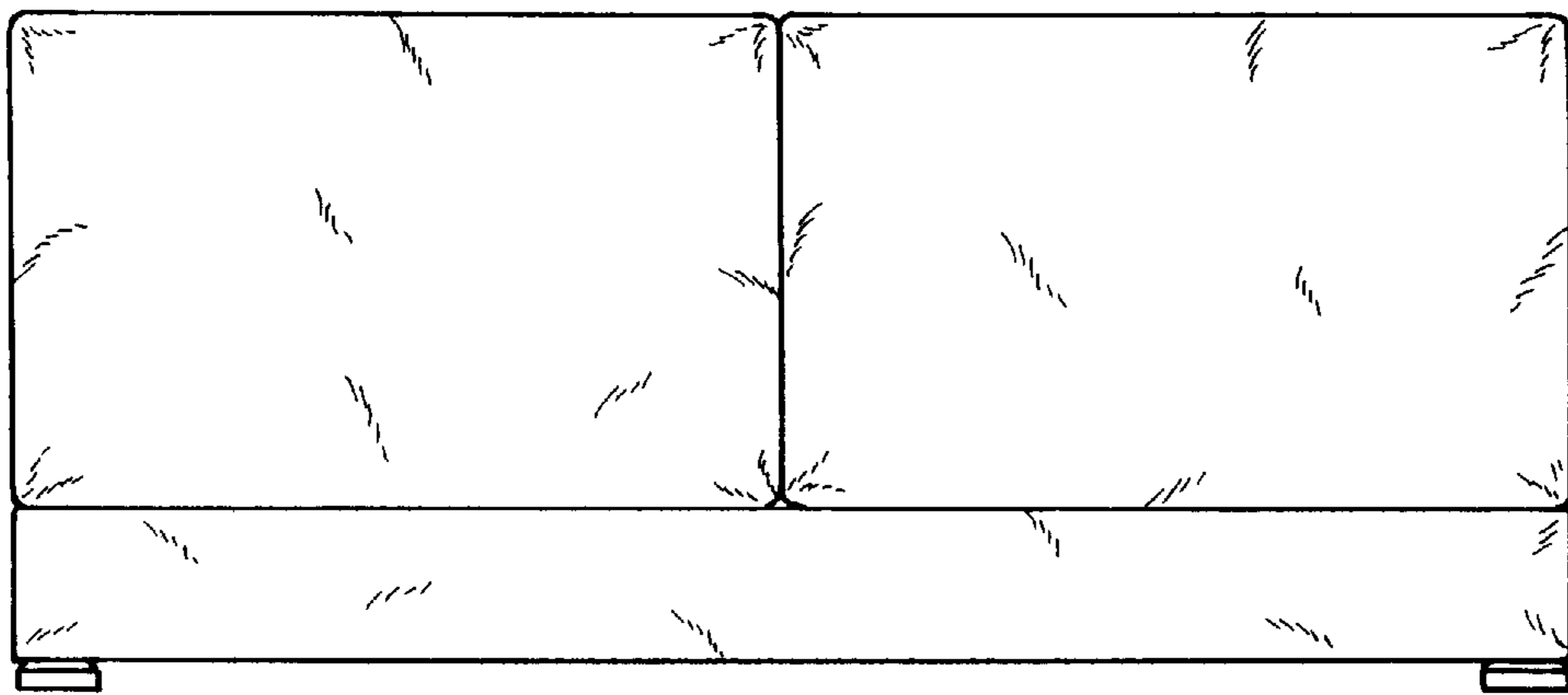


Fig. 5

