



US00D453638S

(12) **United States Design Patent** (10) **Patent No.:** **US D453,638 S**
Kane (45) **Date of Patent:** **** Feb. 19, 2002**

(54) **SEAT** 6,199,950 B1 3/2001 Noll 297/452.63

(75) **Inventor:** **Brian J. Kane**, San Francisco, CA (US)

(73) **Assignee:** **Landscape Forms, Inc.**, Kalamazoo, MI (US)

(**) **Term:** **14 Years**

(21) **Appl. No.:** **29/146,081**

(22) **Filed:** **Aug. 2, 2001**

Related U.S. Application Data

(62) Division of application No. 29/116,727, filed on Jan. 10, 2000, now Pat. No. Des. 448,192.

(51) **LOC (7) Cl.** **06-01**

(52) **U.S. Cl.** **D6/381; D6/375**

(58) **Field of Search** D6/334, 335, 348, D6/360, 368, 369, 370, 373, 374, 375, 376, 379, 380, 381, 499, 500, 501, 502; 297/232, 445.1, 446.1, 448.1, 452.63, 452.64

(56) **References Cited**

U.S. PATENT DOCUMENTS

D211,171 S	5/1968	Blier	D6/379
D235,495 S	6/1975	Laylon	D6/374
D236,047 S	7/1975	Hoshall	D6/379
D236,394 S	8/1975	Hoshall	D6/379
D333,042 S	2/1993	Komai et al.	D6/370
D339,247 S	9/1993	Grosfillex	D6/334
D341,728 S	11/1993	Grosfillex	D6/334
D345,869 S	4/1994	Grosfillex	D6/334

OTHER PUBLICATIONS

Sweet's General Building & Renovation Catalog, BuyLine 5466, TimberForm Site Complements, Columbia Cascade 1975 S.W. Fifth Avenue, Portland, OR 97201, 1996 (3 pp.). Manhattan Side Chair, Metro, 1987 (1 pg.). Chair and chair units identified as 66501, 66532, 66401-TE66400/66401-TE and 66501/66400/66532-TE in Fixtures Furniture Price List Workbook, p. 87, Jan. 1991. Chair illustrated in Wabash Valley catalog, p. 56, 1998. Chair illustrated in Brown Jordan catalog, p. 2, 1986.

Primary Examiner—Doris V. Coles

Assistant Examiner—Elizabeth A. Albert

(74) *Attorney, Agent, or Firm*—Heslin Rothenberg Farley & Mesiti P.C.

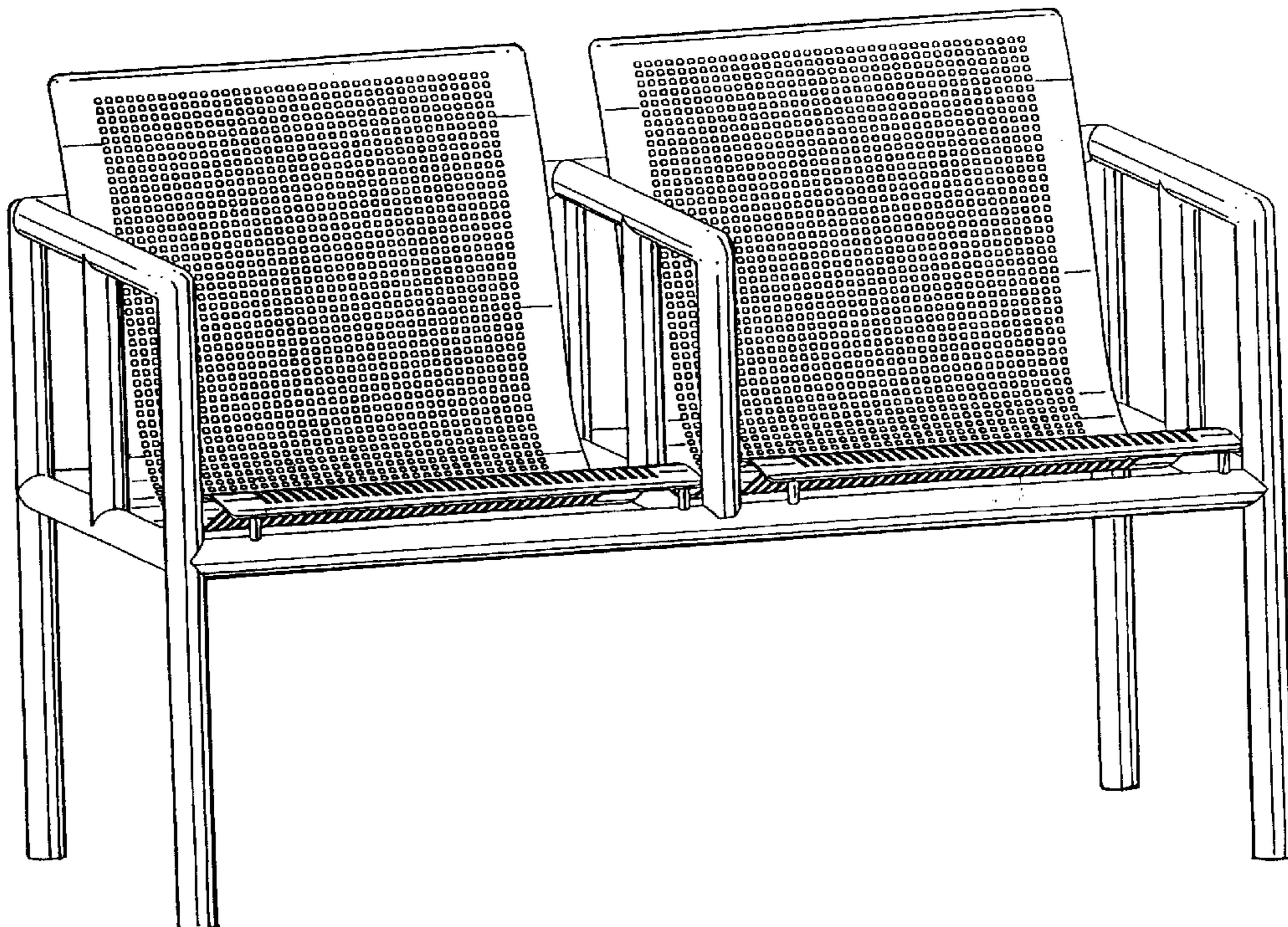
(57) **CLAIM**

The ornamental design for a seat, as shown and described.

DESCRIPTION

FIG. 1 is an isometric view of the seat of my new design having two seating sections;
FIG. 2 is a left side elevational view thereof, the right side elevational view being a mirror image thereof;
FIG. 3 is a top plan view thereof;
FIG. 4 is a back elevational view thereof; and,
FIG. 5 is an isometric view of a second embodiment of the seat of my design which differs from the first embodiment only by the addition of another seating section.

1 Claim, 5 Drawing Sheets



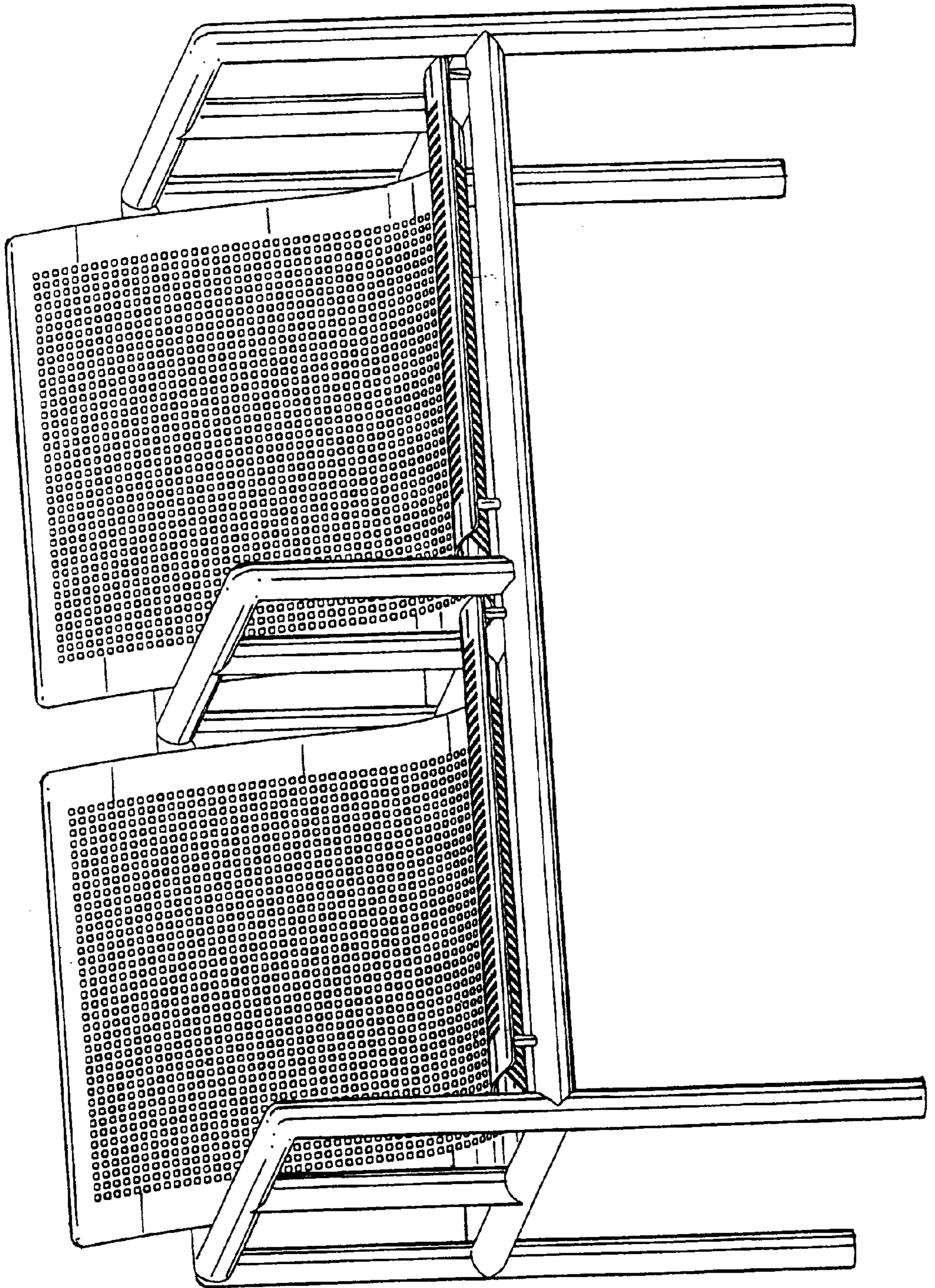
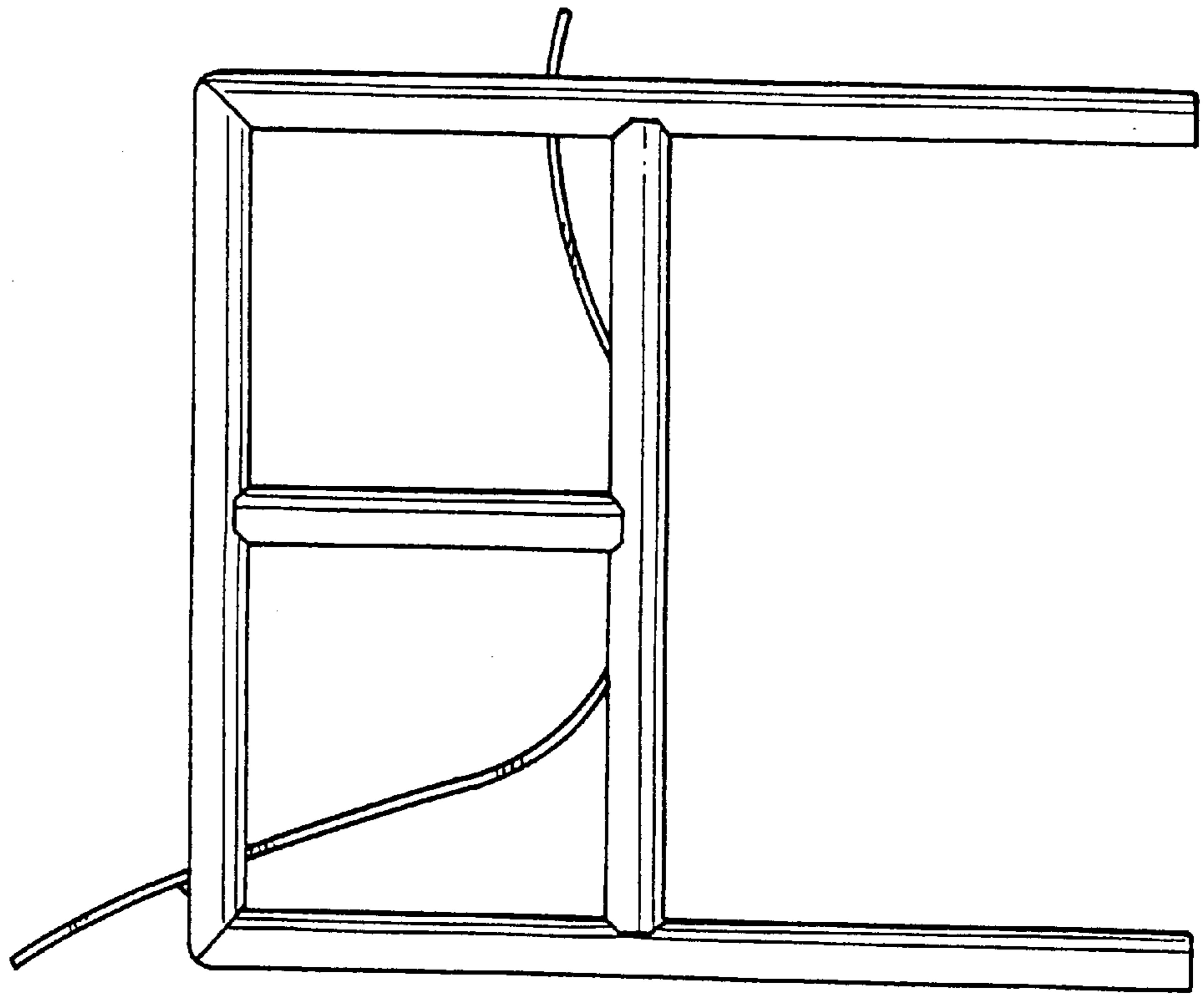


FIG. 1

FIG. 2



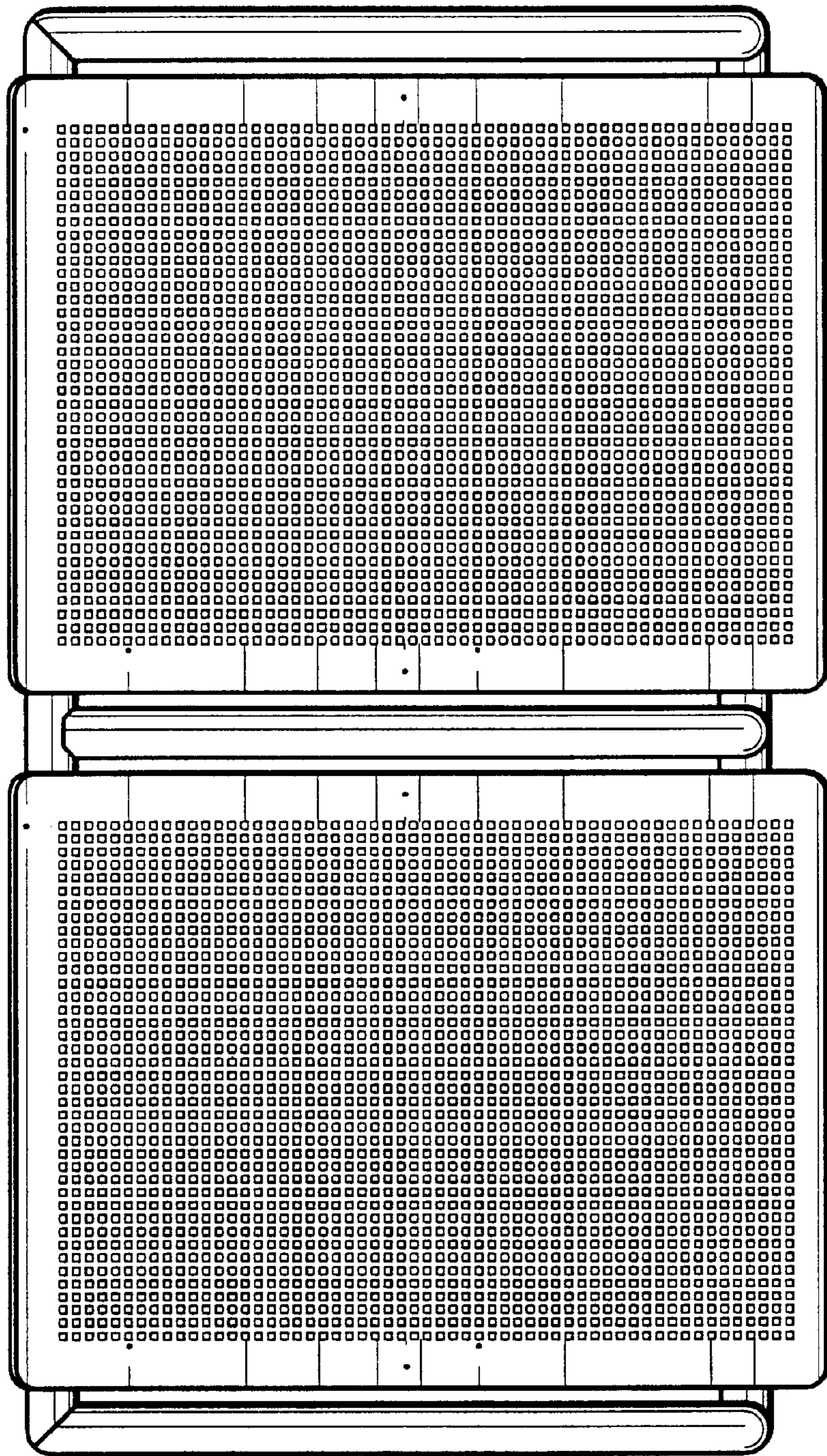
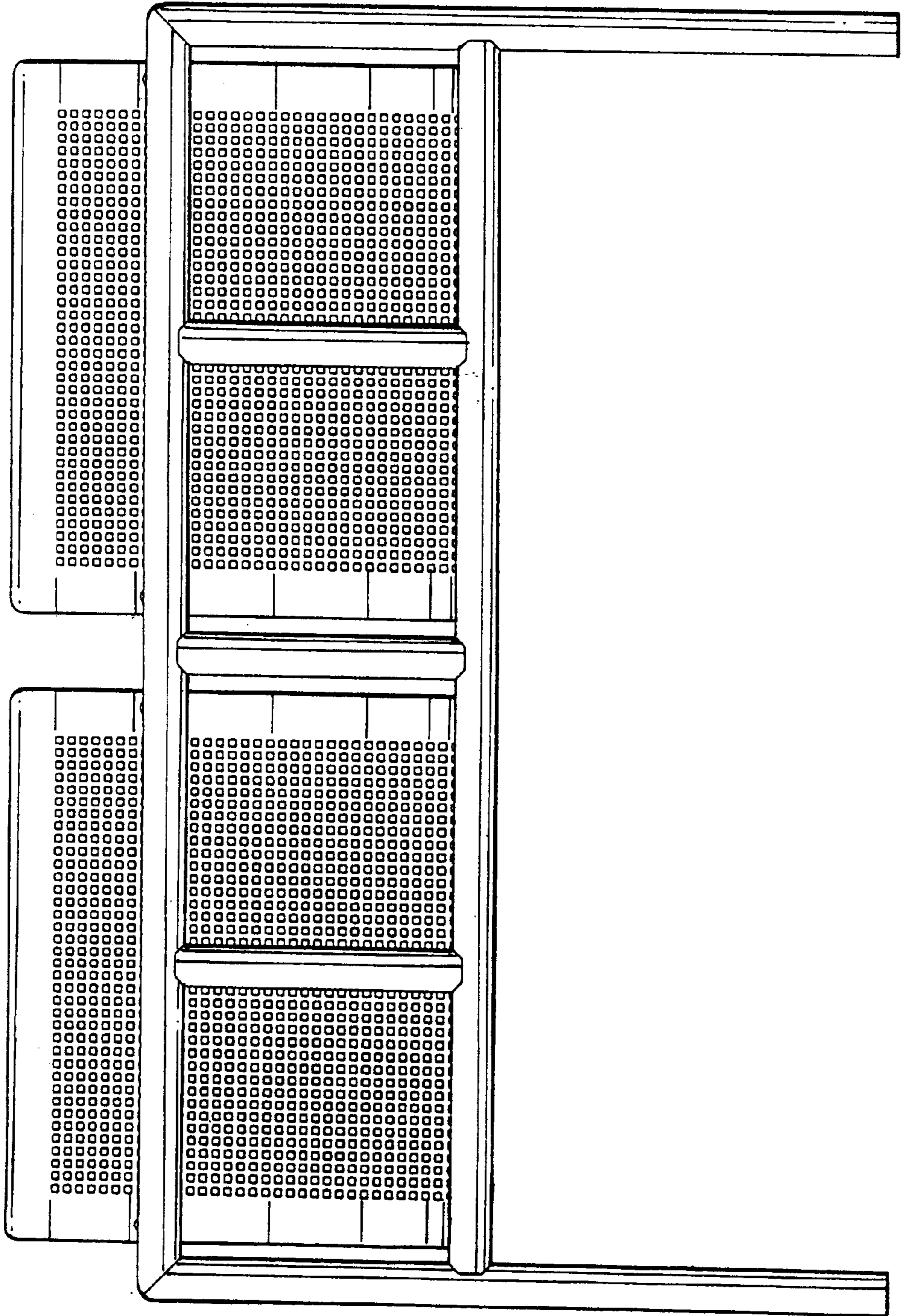


FIG. 3

FIG. 4



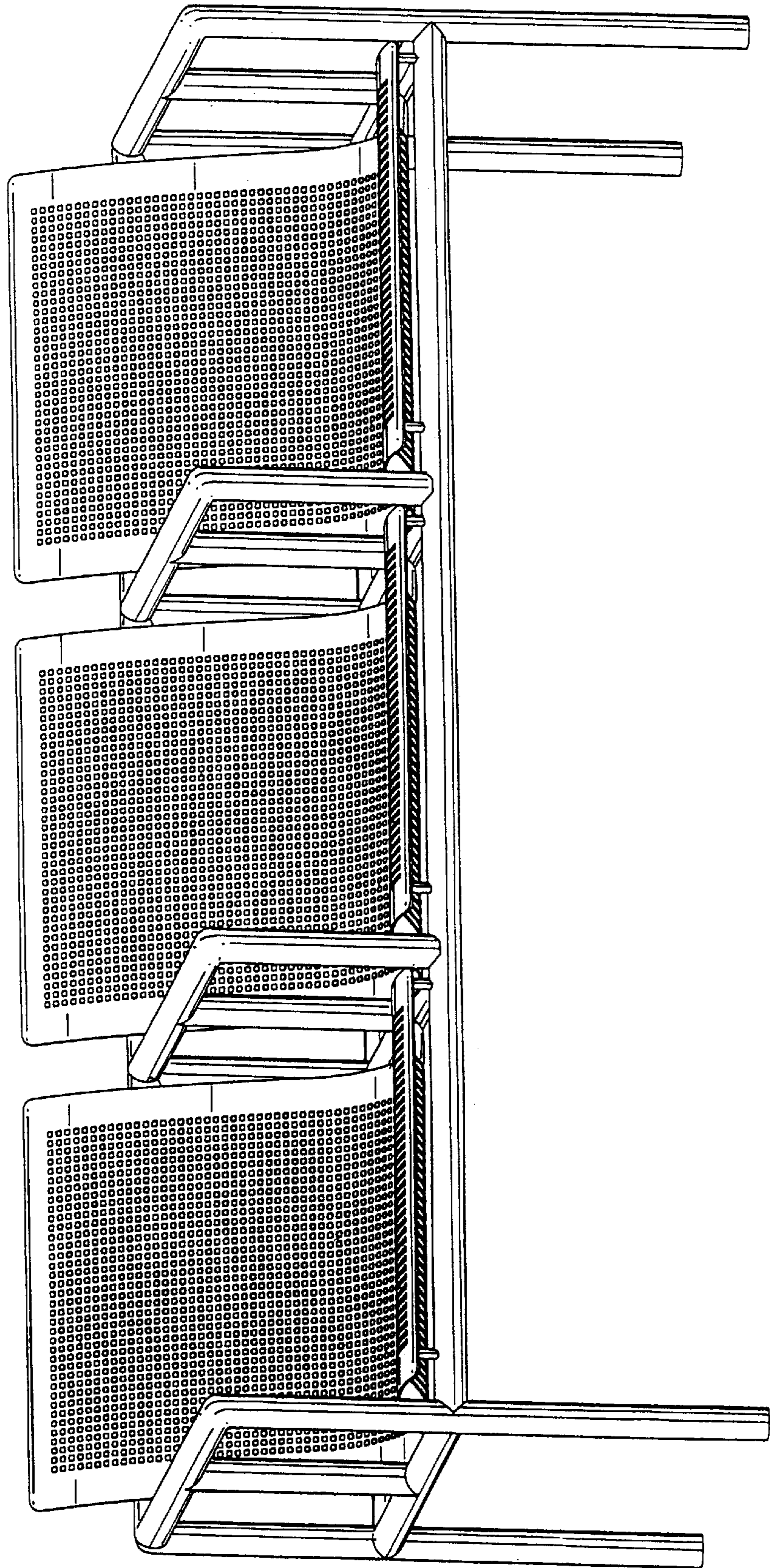


FIG. 5