



US00D453633S

(12) **United States Design Patent**
Diffrient

(10) **Patent No.:** **US D453,633 S**

(45) **Date of Patent:** **** Feb. 19, 2002**

(54) **CHAIR**

(75) **Inventor:** **Niels Diffrient**, Ridgefield, CT (US)

(73) **Assignee:** **SoftView Computer Products Corp.**,
New York, NY (US)

(**) **Term:** **14 Years**

(21) **Appl. No.:** **29/103,159**

(22) **Filed:** **Apr. 9, 1999**

(51) **LOC (7) Cl.** **06-01**

(52) **U.S. Cl.** **D6/366**

(58) **Field of Search** D6/334, 364, 365,
D6/366, 367, 379, 500, 501, 502; 297/411.2,
411.28

(56) **References Cited**

U.S. PATENT DOCUMENTS

D358,498 S * 5/1995 Bruns D6/366
D368,380 S * 4/1996 Olson et al. D6/366
D395,761 S * 7/1998 Saul D6/366

D400,018 S * 10/1998 James et al. D6/366
D407,576 S * 4/1999 Ritch et al. D6/500
D417,793 S * 12/1999 Ritch et al. D6/366

* cited by examiner

Primary Examiner—Gary D. Watson

(74) *Attorney, Agent, or Firm*—Coudert Brothers LLP

(57) **CLAIM**

The ornamental design for a chair, as shown and described.

DESCRIPTION

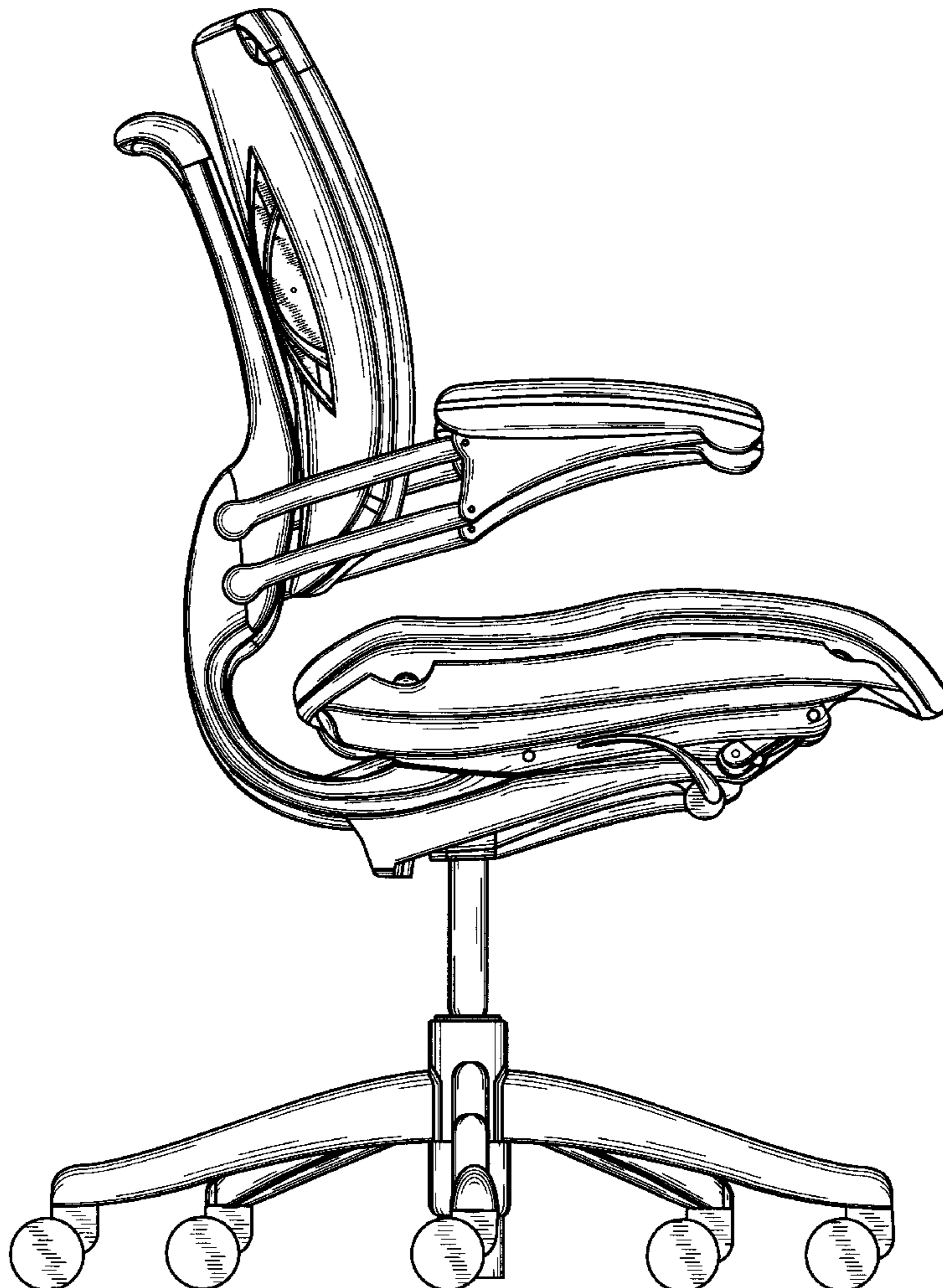
FIG. 1 is a side elevational view of a chair showing my new design, the opposite side being a mirror image thereof, with the exception of the adjustment handle;

FIG. 2 is a three quarter side elevational view of a chair showing my new design, the opposite side being a mirror image thereof, with the exception of the adjustment handle;

FIG. 3 is a perspective view taken from the side and from above of a chair showing my new design;

FIG. 4 is top view of a chair showing my new design; and, FIG. 5 is a bottom view.

1 Claim, 5 Drawing Sheets



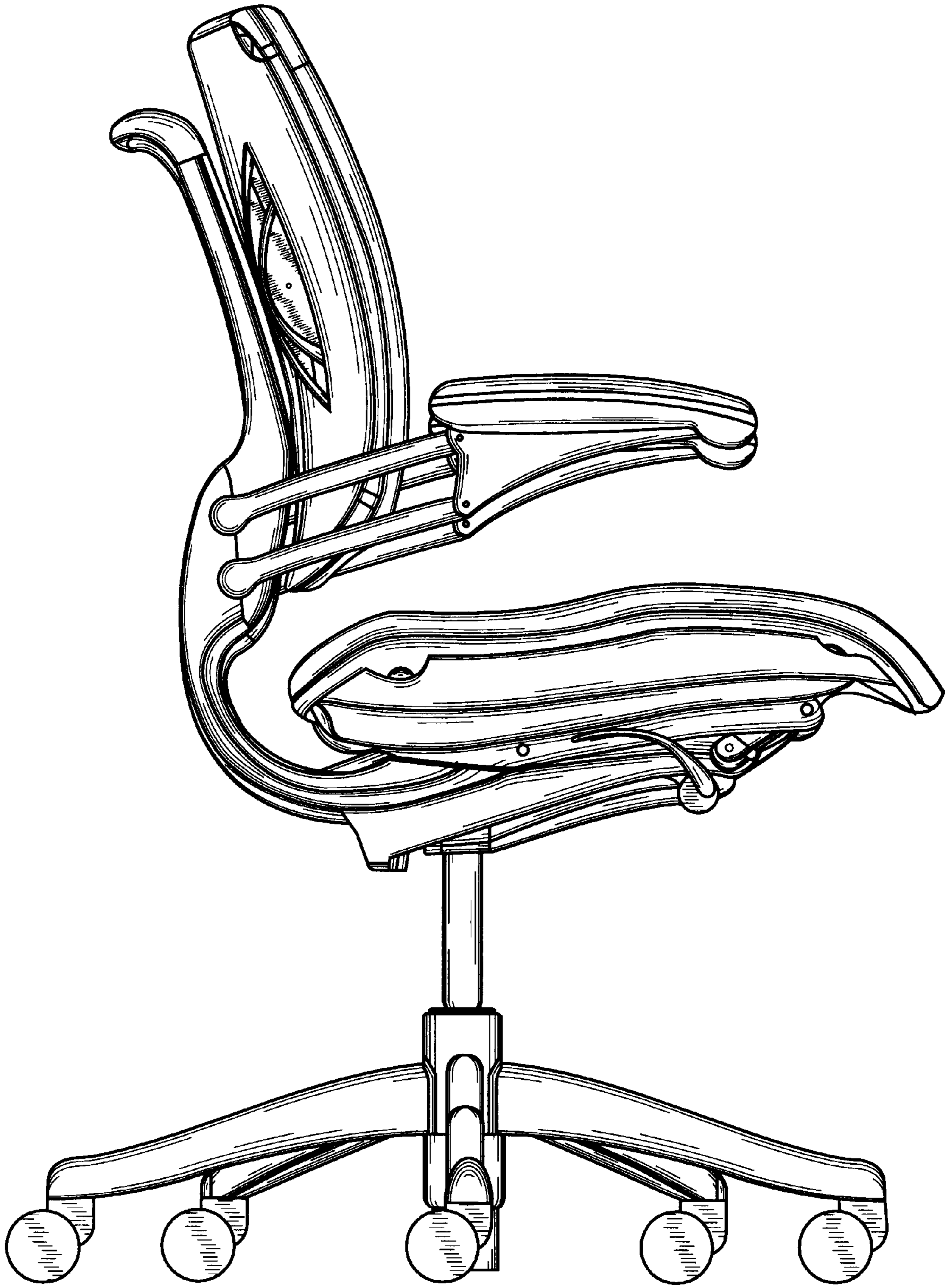


FIG. 1

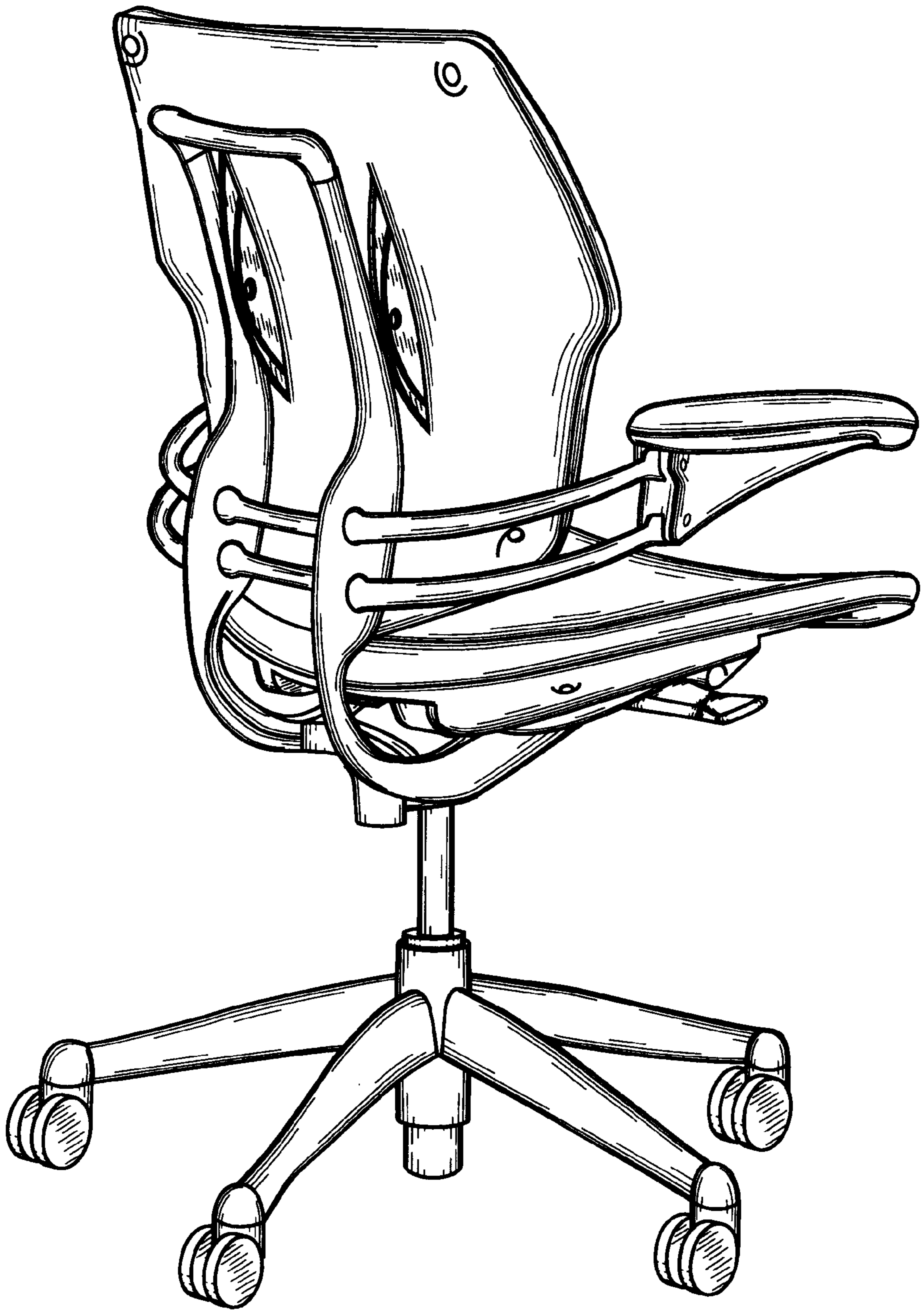


FIG. 2

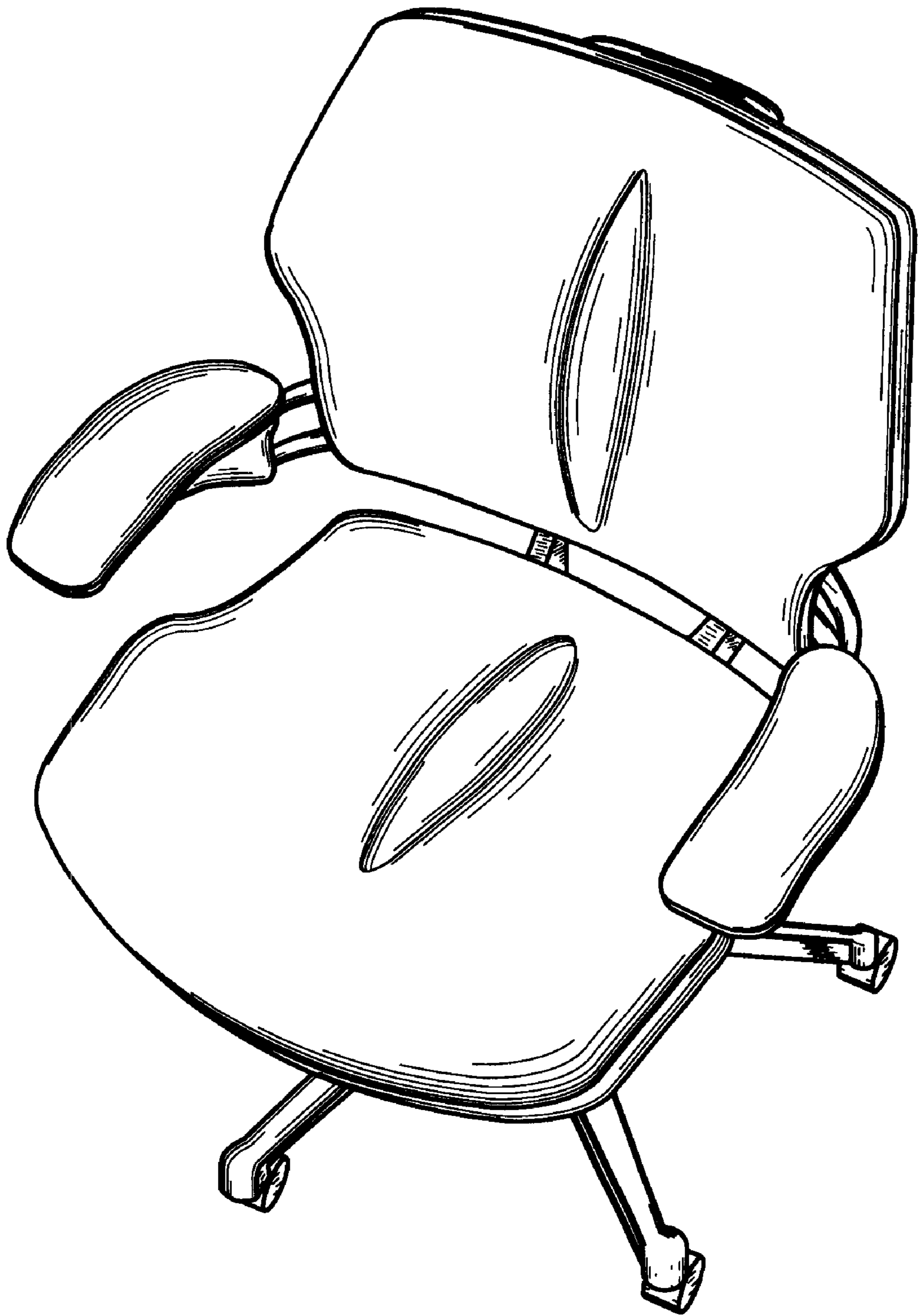


FIG. 3

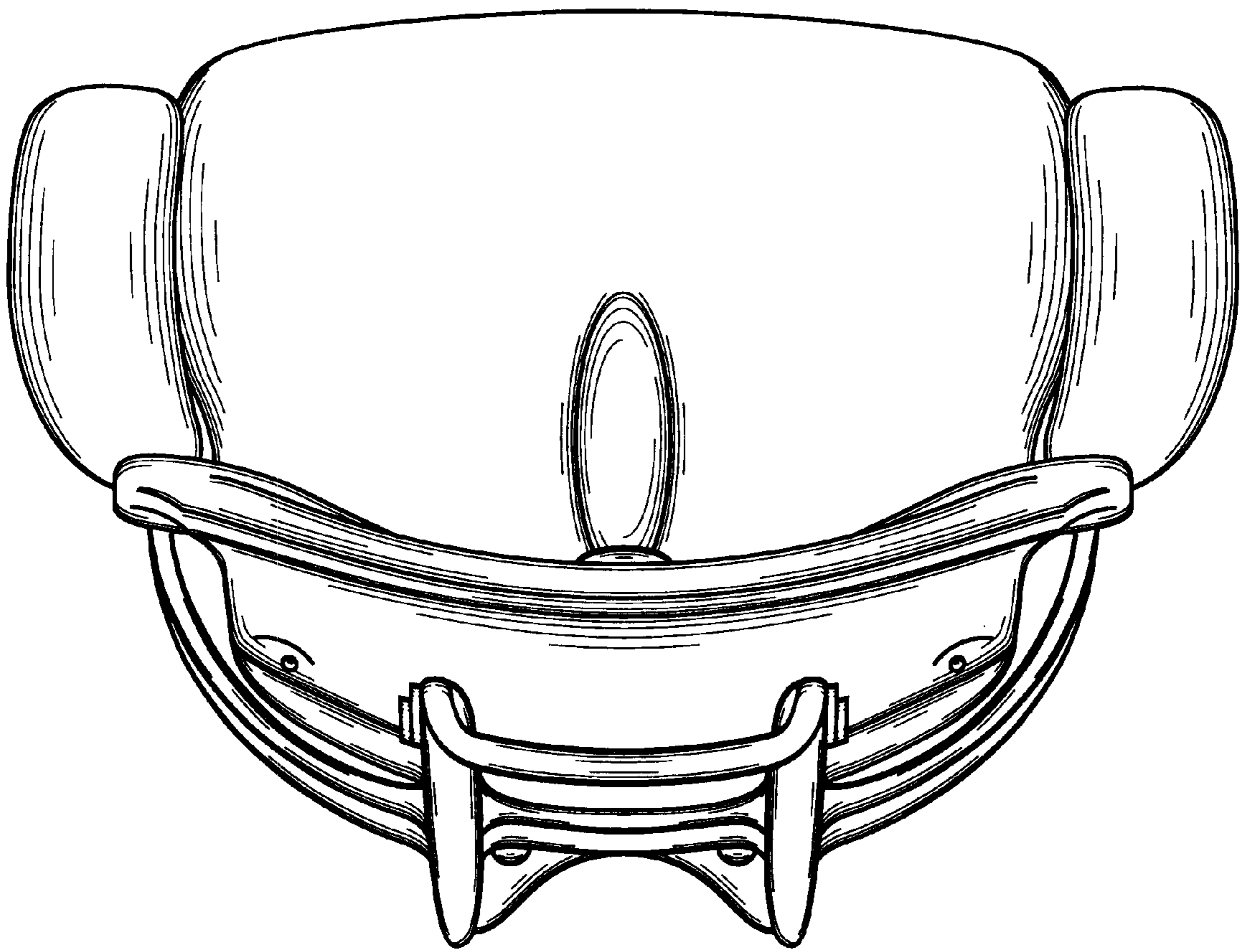


FIG. 4

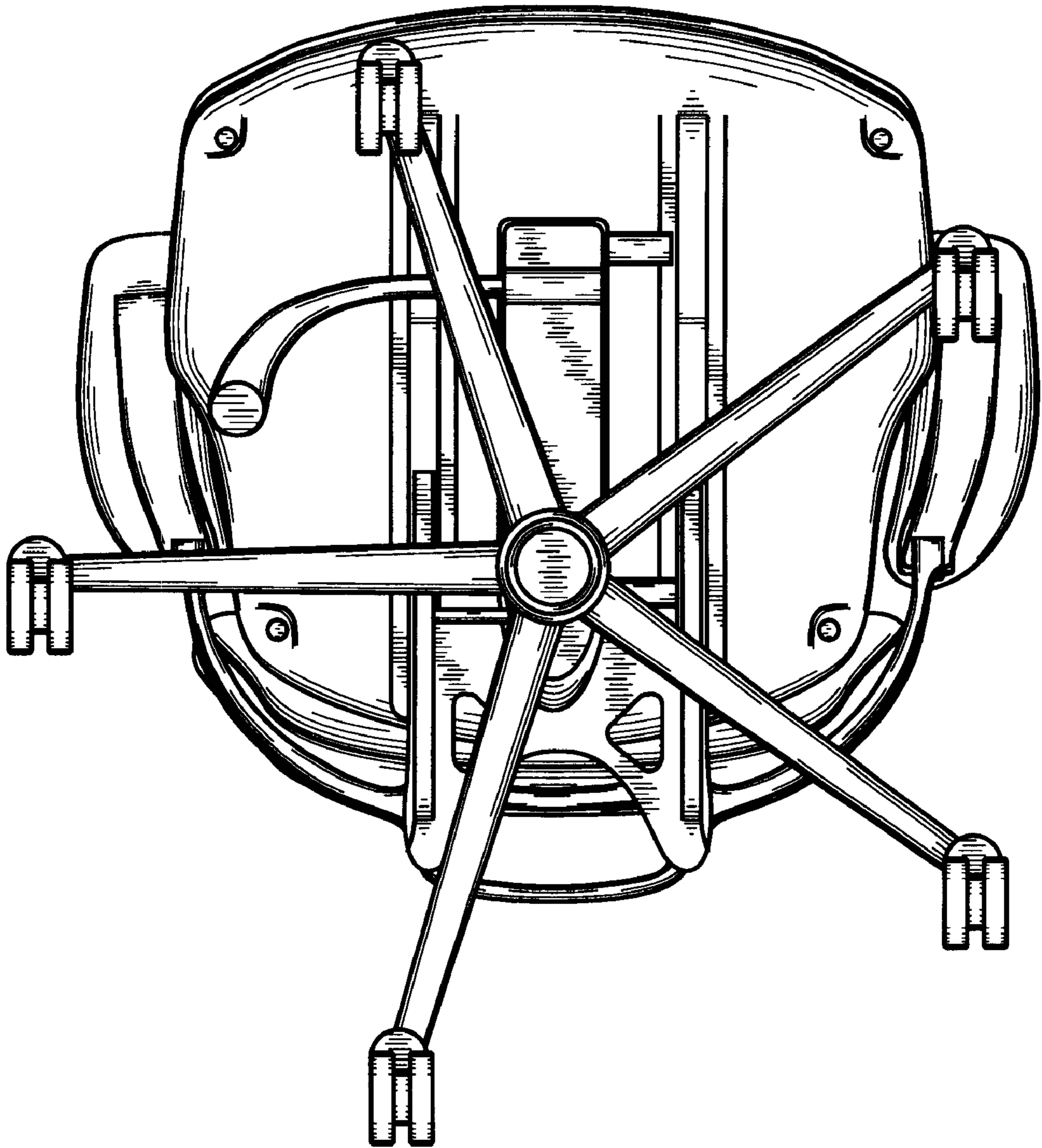


FIG. 5