



US00D453632S

(12) **United States Design Patent**
Lee

(10) **Patent No.:** **US D453,632 S**

(45) **Date of Patent:** **** Feb. 19, 2002**

(54) **PORTABLE TABLE AND SEATS**

(76) Inventor: **Hae-Sup Lee**, 1490-22, Seocho-dong, Seocho-ku, Seoul (KR)

(**) Term: **14 Years**

(21) Appl. No.: **29/139,465**

(22) Filed: **Apr. 2, 2001**

(30) **Foreign Application Priority Data**

Oct. 2, 2000 (KR) 2000-25187

(51) **LOC (7) Cl.** **06-01**

(52) **U.S. Cl.** **D6/337**

(58) **Field of Search** D6/334, 335, 336, D6/337, 429, 500-502; 297/139, 157.1, 158.3, 158.4, 159.1

(56) **References Cited**

U.S. PATENT DOCUMENTS

2,991,829 A	*	7/1961	Post	297/139
4,653,804 A	*	3/1987	Yoo et al.	297/158.4
4,826,244 A	*	5/1989	Choi	297/158.4
4,883,314 A	*	11/1989	Sakong	297/158.4
D330,127 S	*	10/1992	Song	D6/429
D423,238 S	*	4/2000	O'Brien	D6/337

* cited by examiner

Primary Examiner—Doris V. Coles

Assistant Examiner—Mimosa De

(74) *Attorney, Agent, or Firm*—Wenderoth, Lind & Ponack, L.L.P.

(57) **CLAIM**

The ornamental design for a portable table and seats, as shown and described.

DESCRIPTION

FIG. 1 is a perspective view of a portable table and seats according to the design of the present invention;

FIG. 2 is a front elevational view of the portable table and seats;

FIG. 3 is a rear view of the portable table and seats;

FIG. 4 is a right side view of the portable table and seats;

FIG. 5 is a left side view of the portable table and seats;

FIG. 6 is a top view of the portable table and seats;

FIG. 7 is a bottom view of the portable table and seats;

FIG. 8 is a perspective view of a portable table and seats with a top portion open into an interior compartment; and,

FIG. 9 is a view of the portable table and seats in a collapsed state.

1 Claim, 8 Drawing Sheets

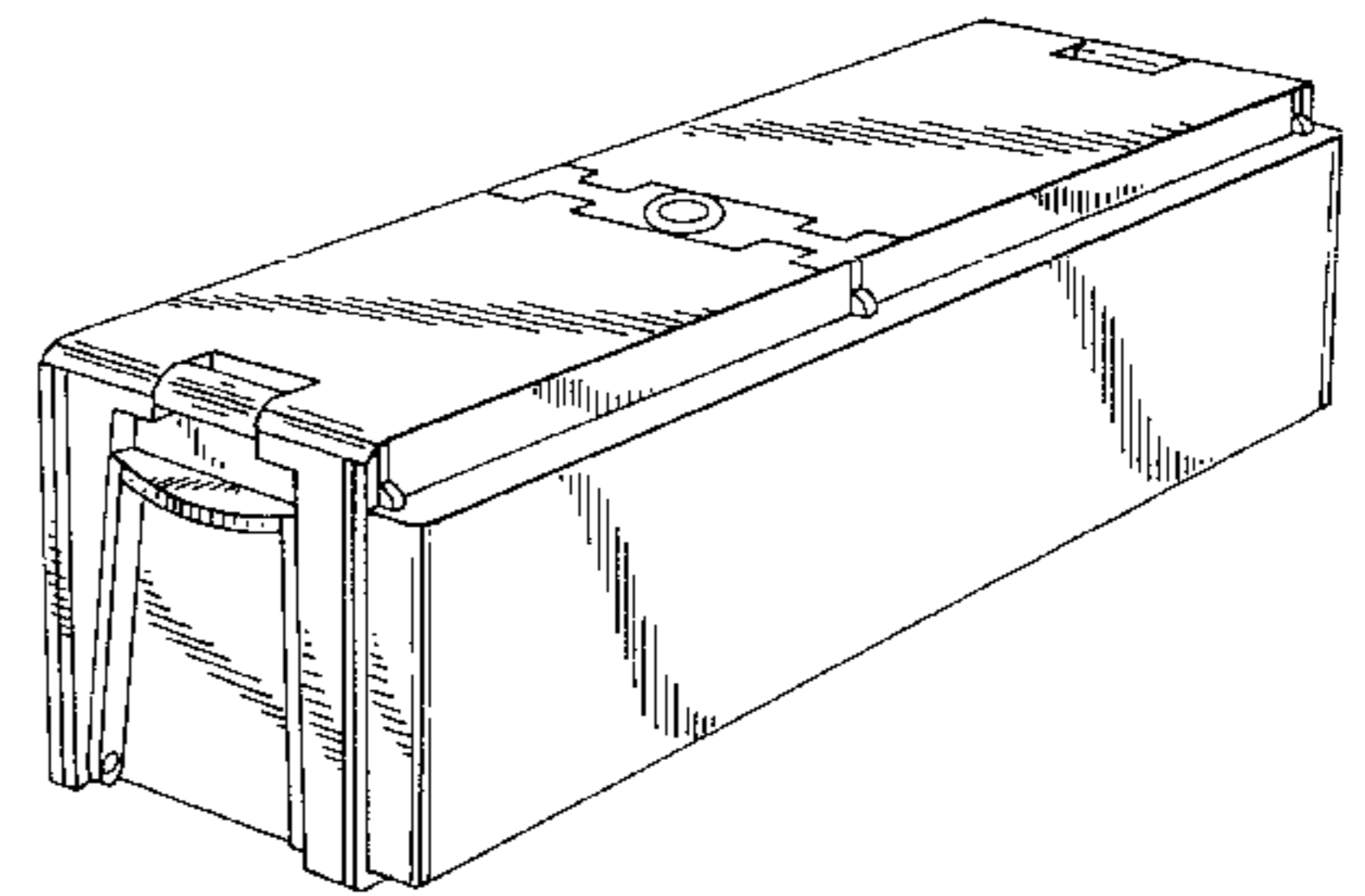
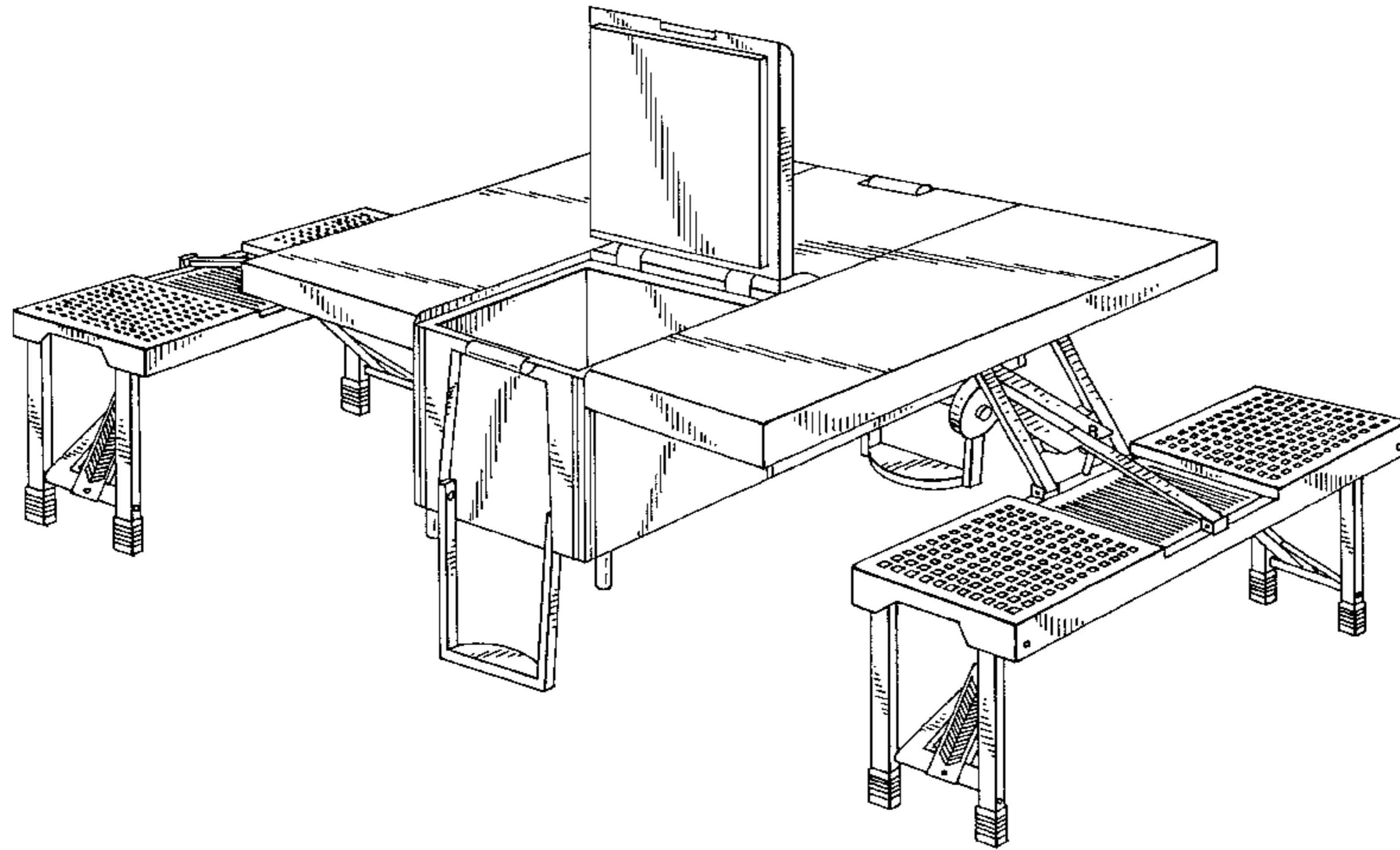


FIG. 1

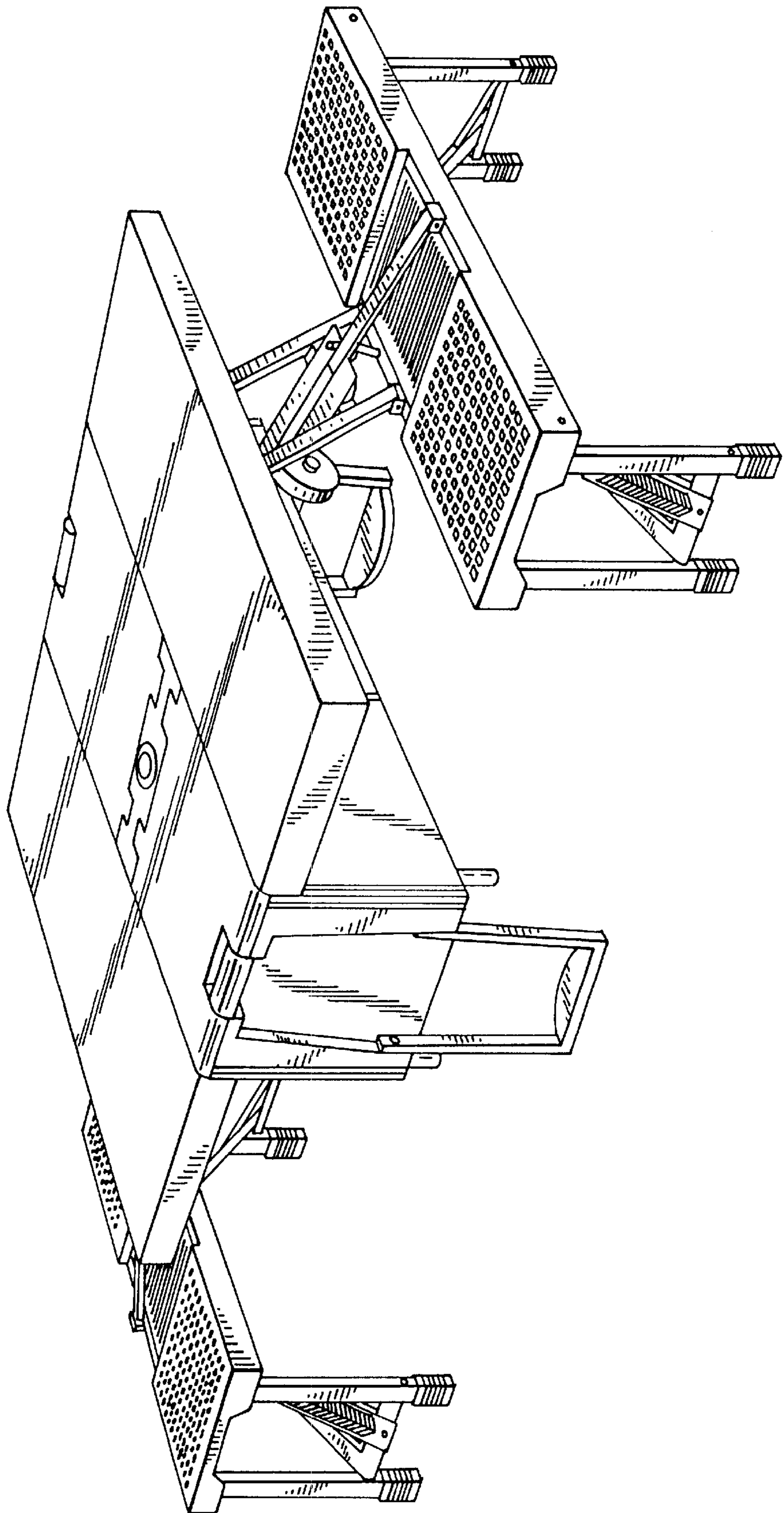


FIG. 2

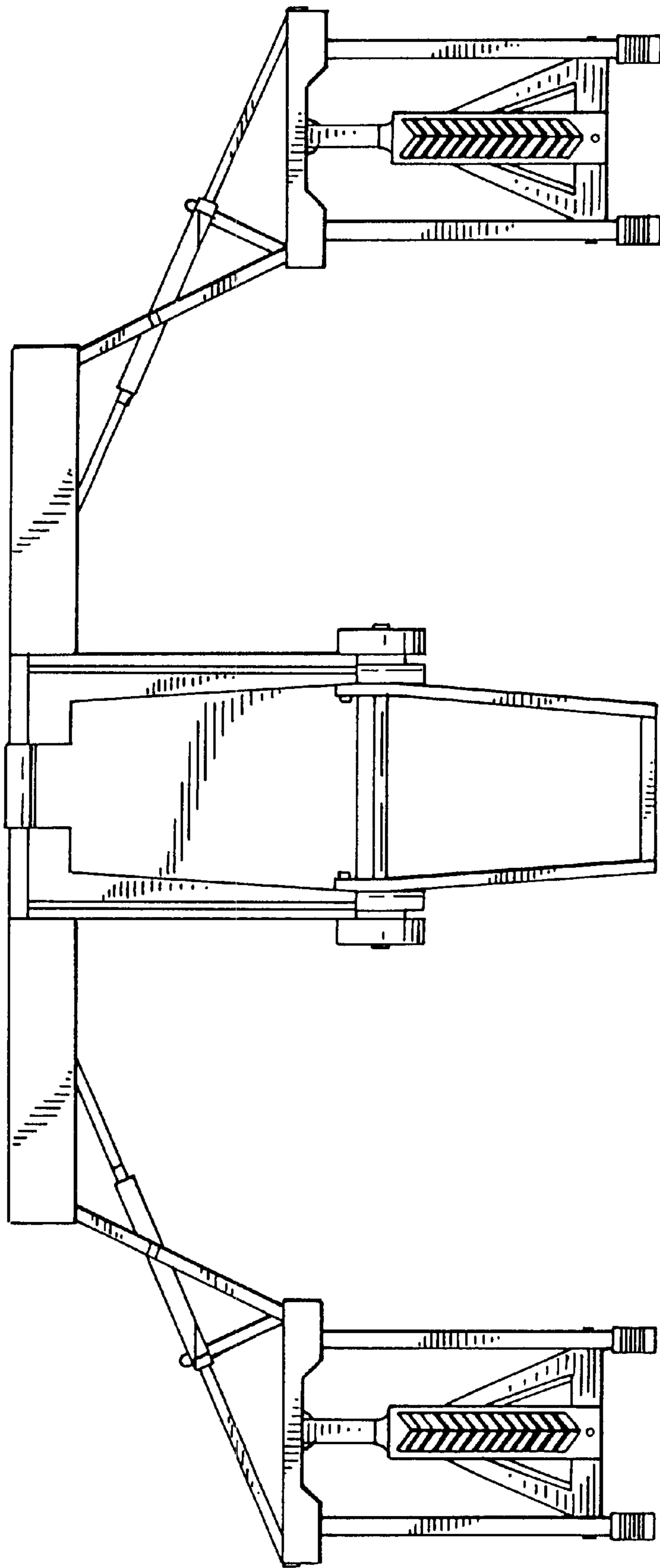


FIG. 3

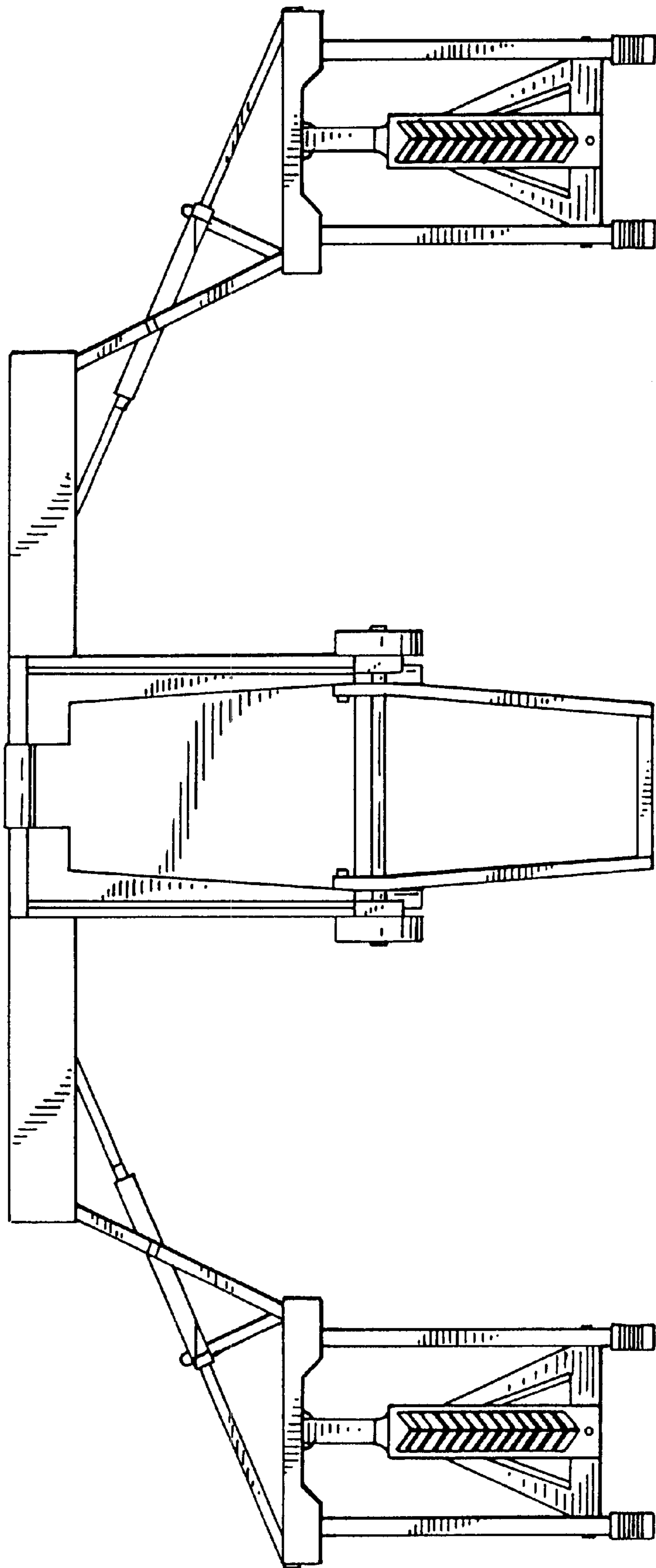


FIG. 4

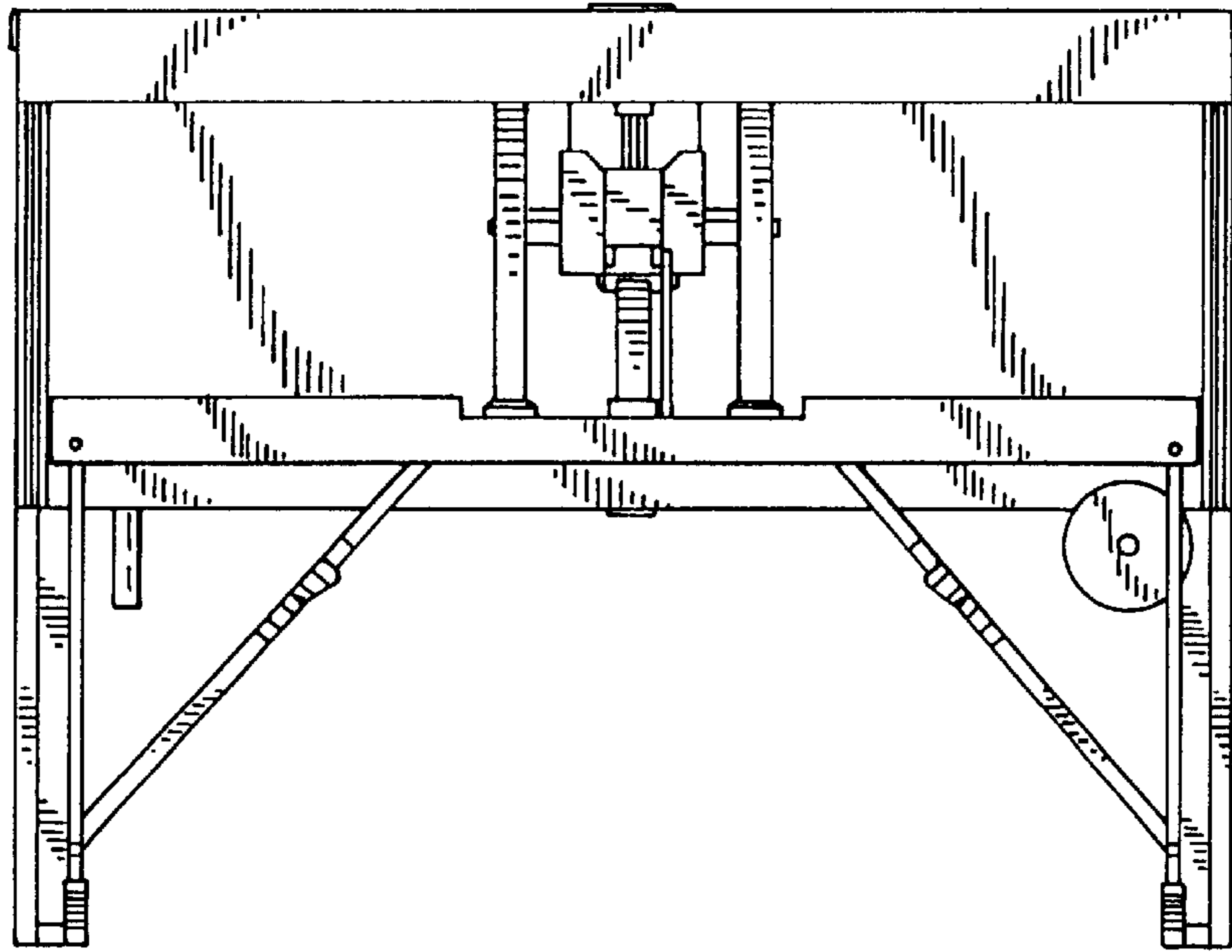


FIG. 5

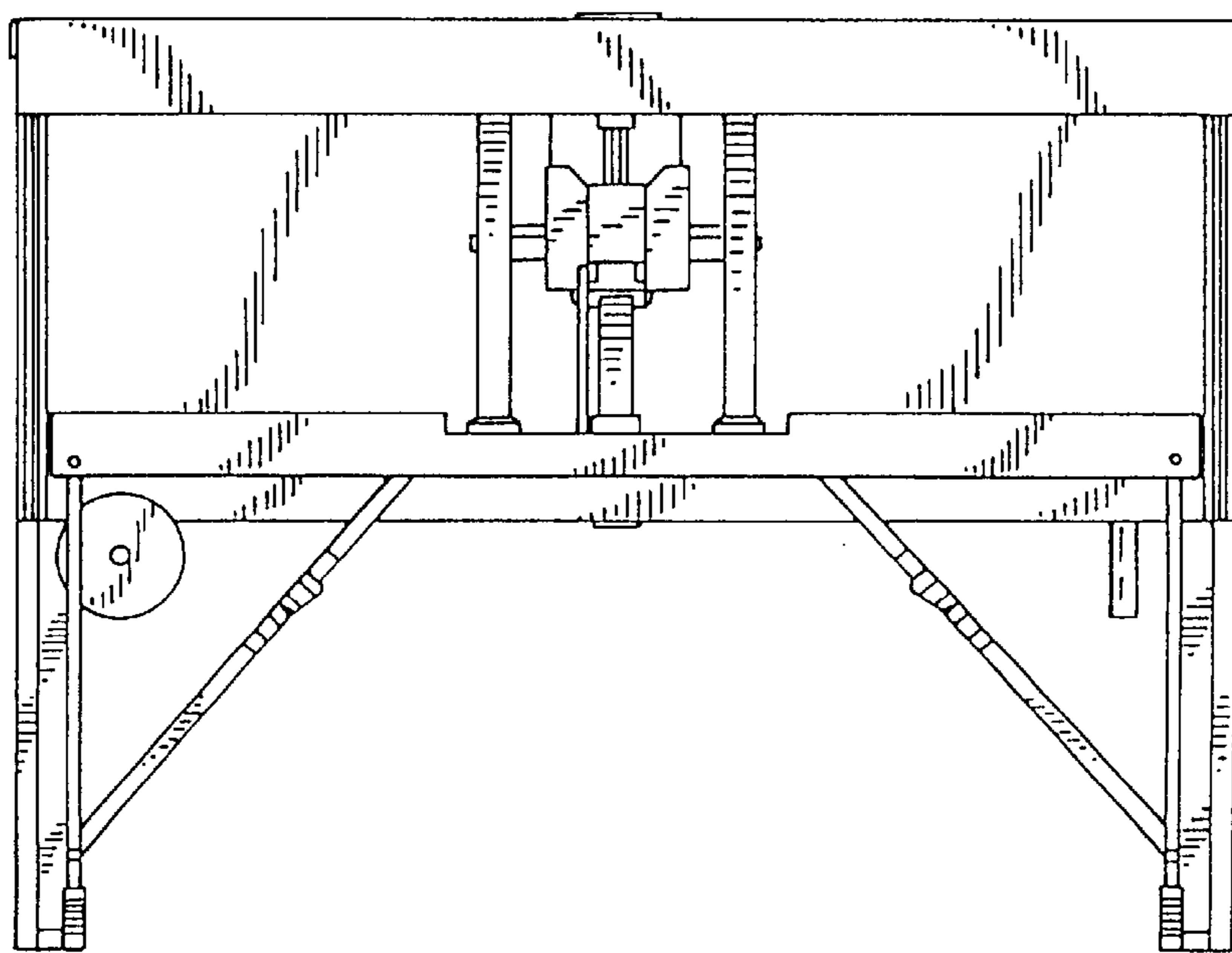


FIG. 6

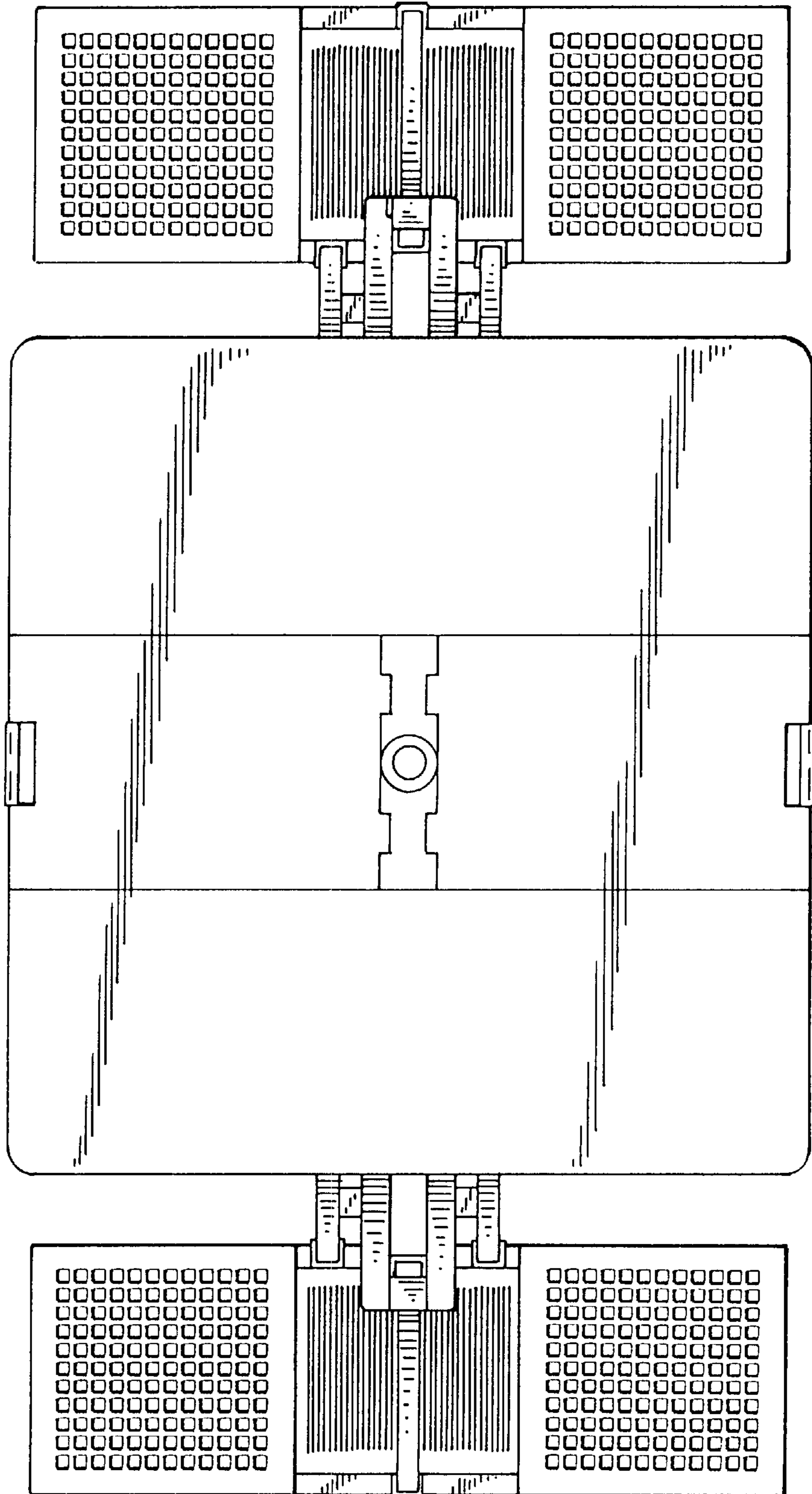
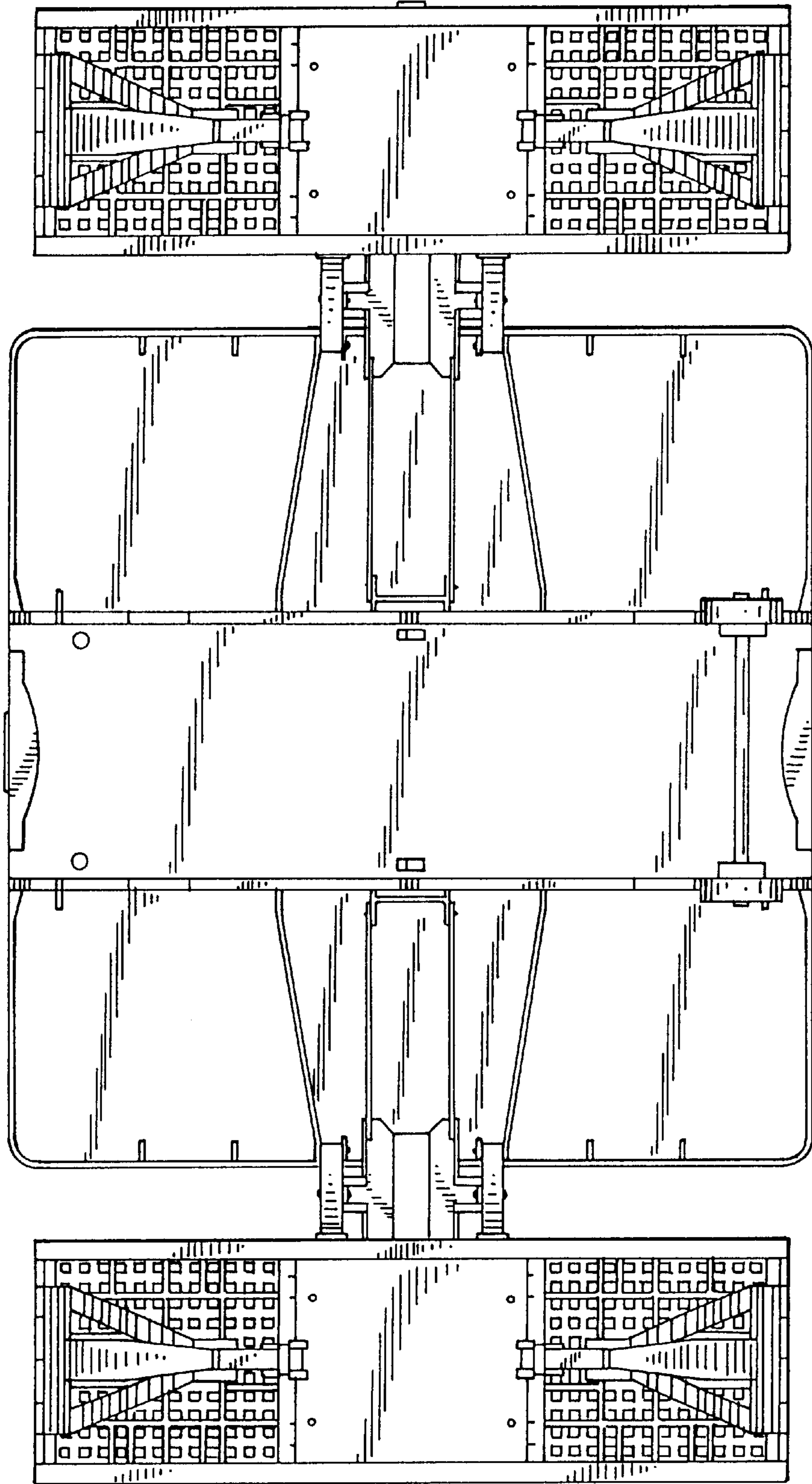


FIG. 7



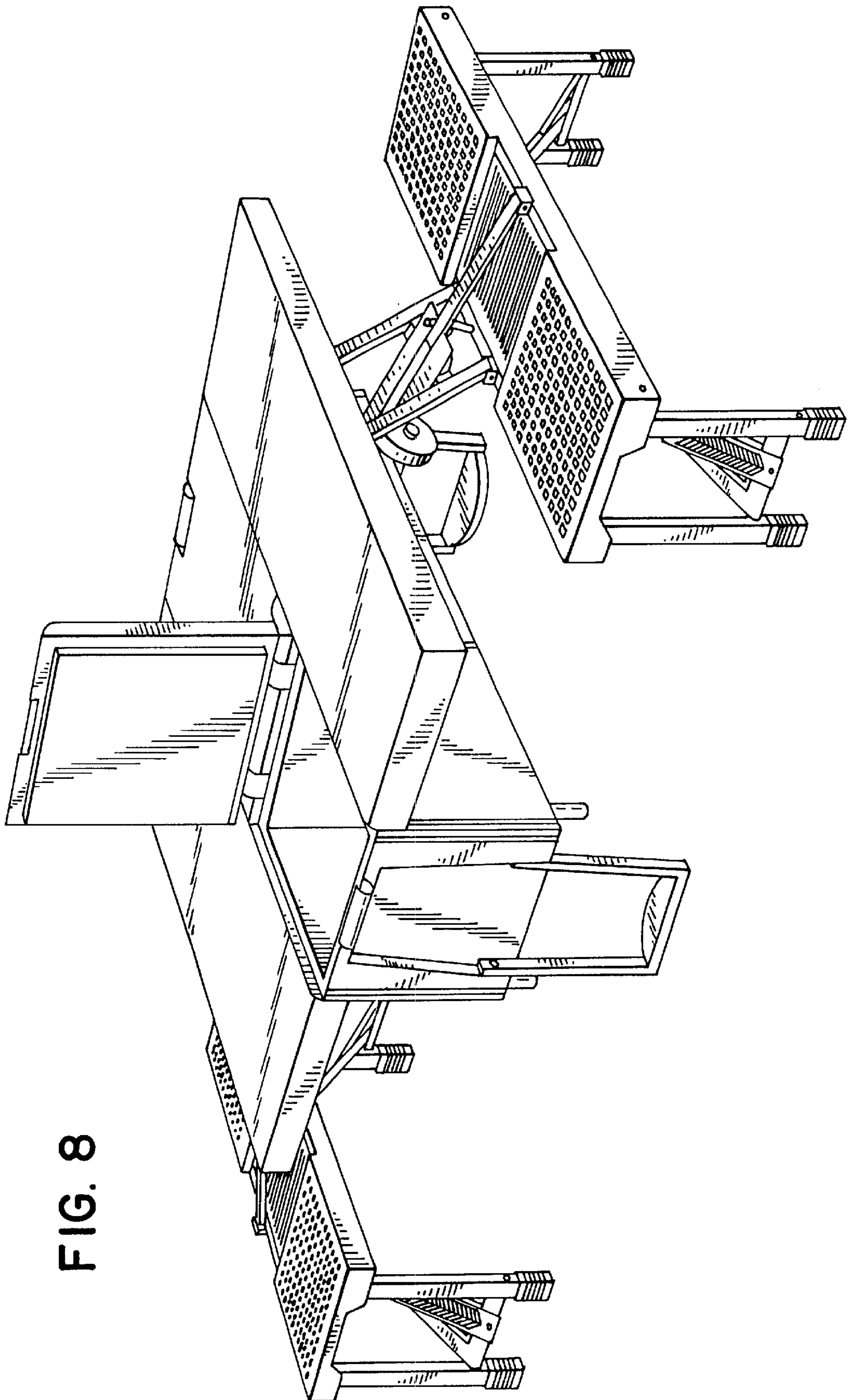


FIG. 8

FIG. 9

