



US00D453631S

(12) **United States Design Patent**
Kassai et al.

(10) **Patent No.:** **US D453,631 S**

(45) **Date of Patent:** **** Feb. 19, 2002**

(54) **CHILD SEAT FOR VEHICLES**

D360,307 S * 7/1995 Kain D6/495
D383,316 S * 9/1997 Kain D6/333

(75) Inventors: **Kenzou Kassai; Keiji Inoue**, both of
Osaka (JP)

* cited by examiner

(73) Assignee: **Aprica Kassai Kabushikikaisha**,
Osaka (JP)

Primary Examiner—Doris V. Coles

Assistant Examiner—Mimosa De

(74) *Attorney, Agent, or Firm*—W. F. Fasse; W. G. Fasse

(**) Term: **14 Years**

(57) **CLAIM**

(21) Appl. No.: **29/132,679**

The ornamental design for a child seat for vehicles, as shown.

(22) Filed: **Nov. 9, 2000**

DESCRIPTION

(51) **LOC (7) Cl.** **06-01**

(52) **U.S. Cl.** **D6/333**

(58) **Field of Search** D6/333, 334, 495,
D6/339, 500-502; D3/213; 297/250.1, 256.1,
256.11, 256.12, 256.15, 256.16, 467; 5/655

FIG. 1 is a front view of a child seat for vehicles showing our new design;

FIG. 2 is a left side view thereof;

FIG. 3 is a right side view thereof;

FIG. 4 is a rear view thereof;

FIG. 5 is a top plan view thereof;

FIG. 6 is a bottom plan view thereof; and,

FIG. 7 is a perspective view thereof.

(56) **References Cited**

U.S. PATENT DOCUMENTS

D262,242 S * 12/1981 Molnar D6/333

D278,482 S * 4/1985 Takada D6/333

1 Claim, 3 Drawing Sheets

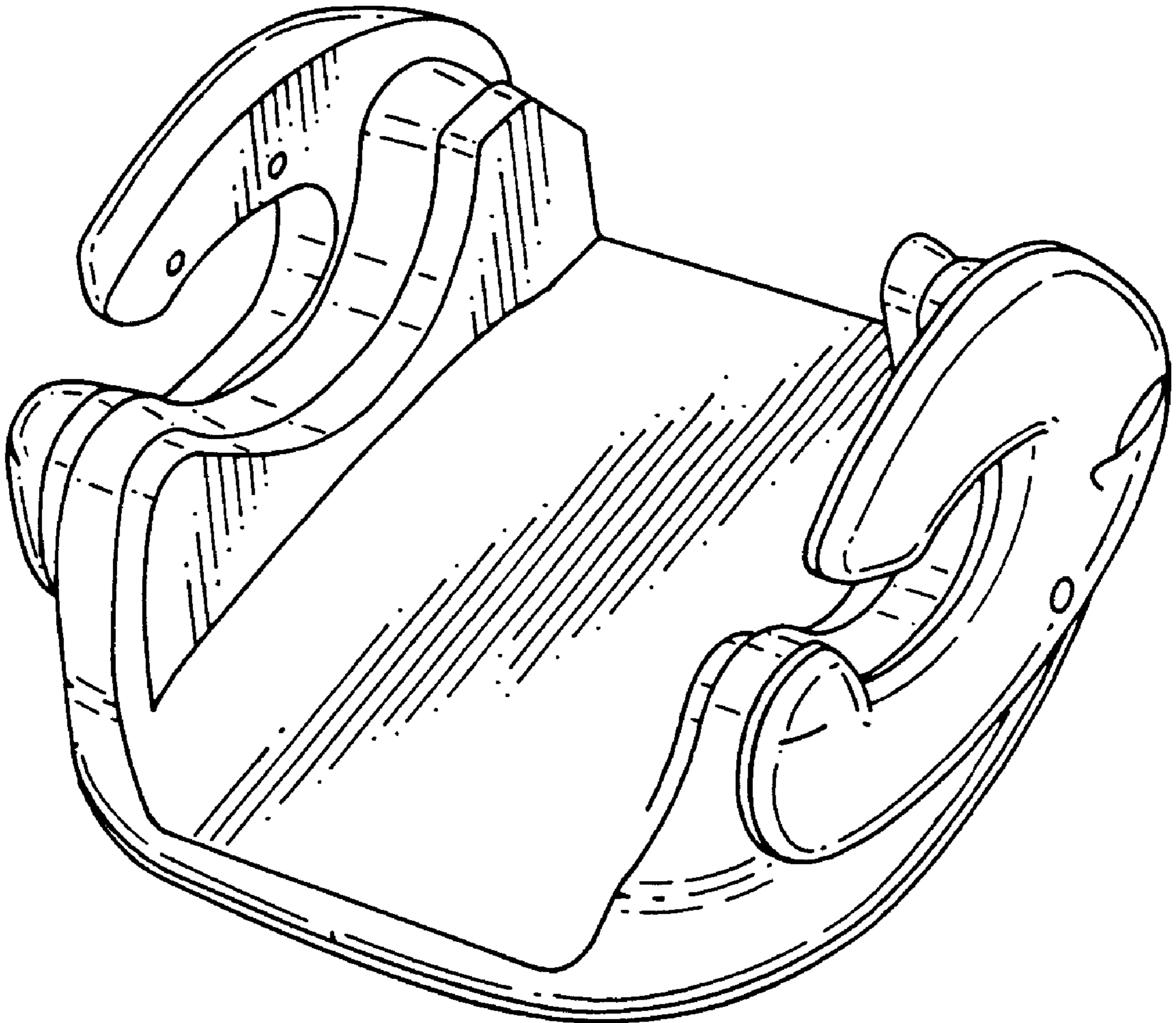


Fig. 1

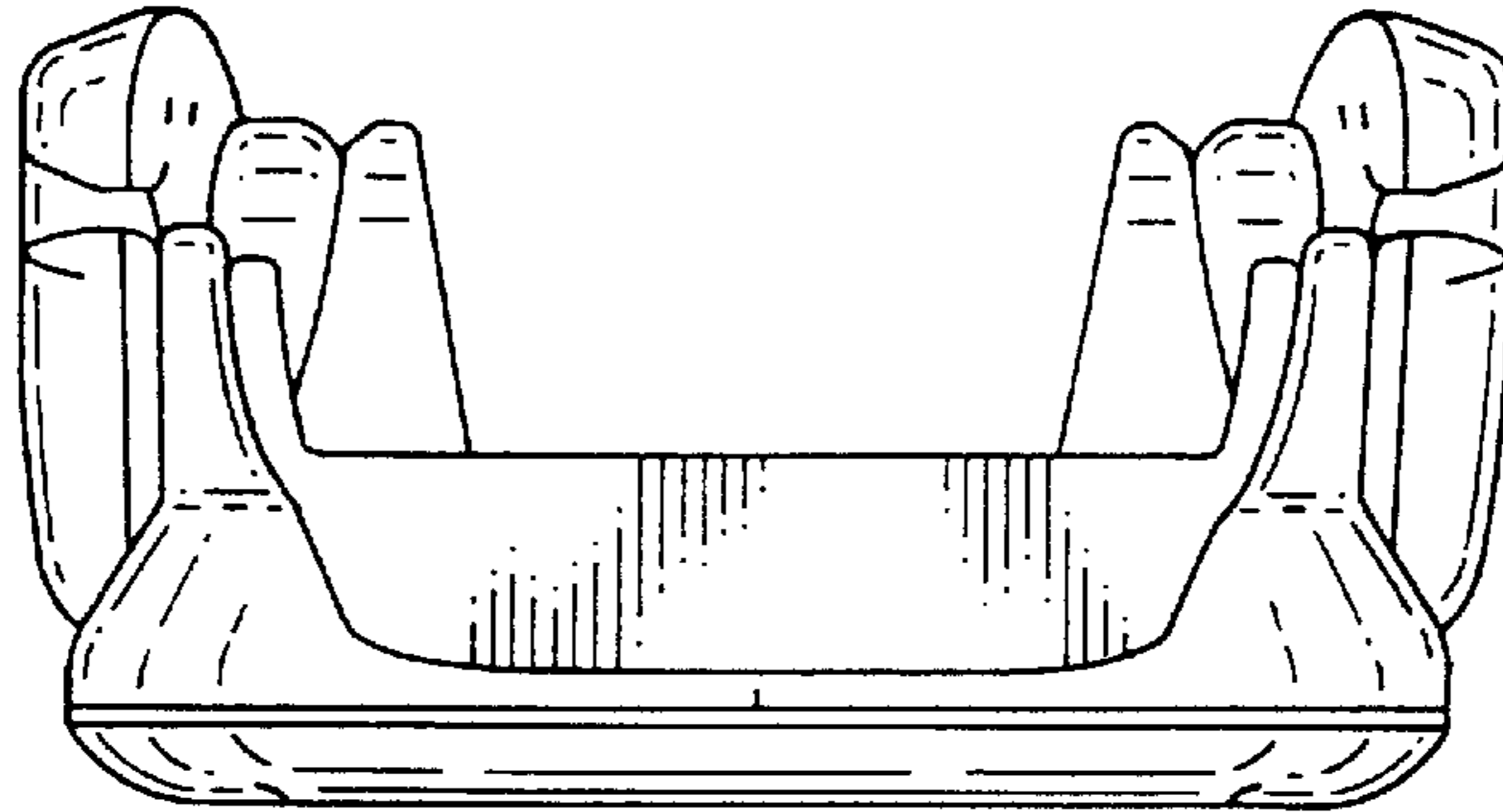


Fig. 2

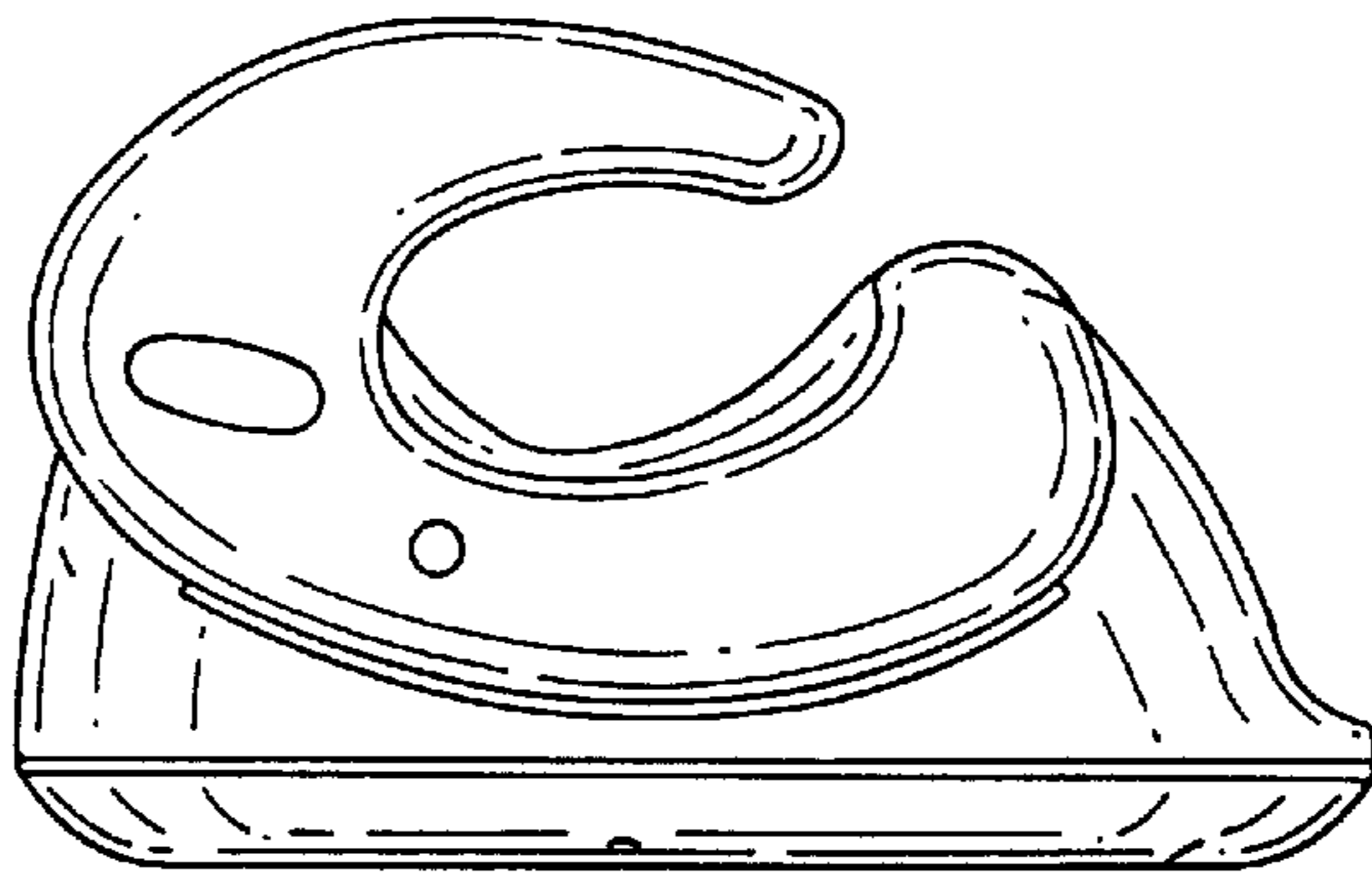


Fig. 3

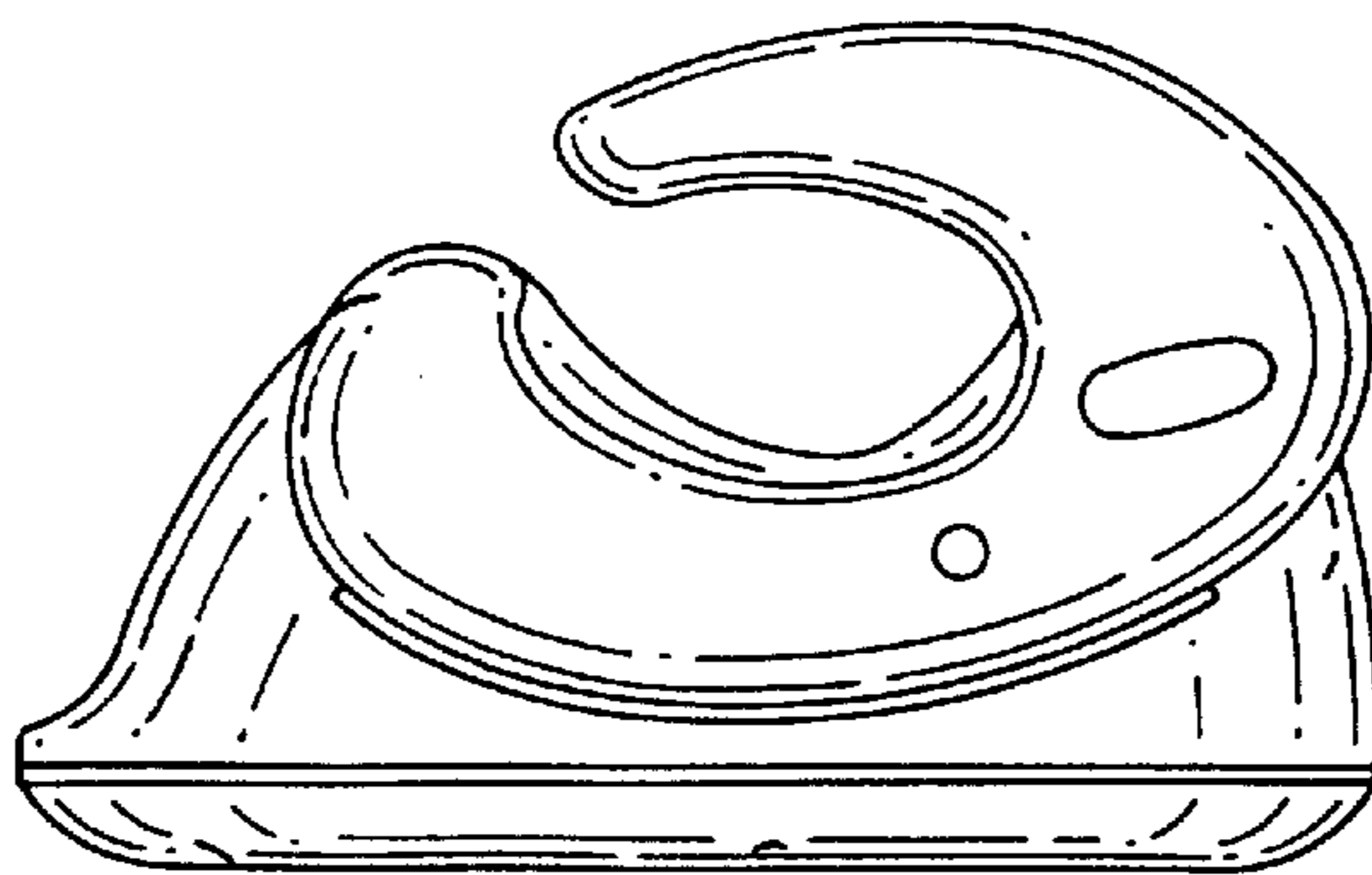


Fig. 4

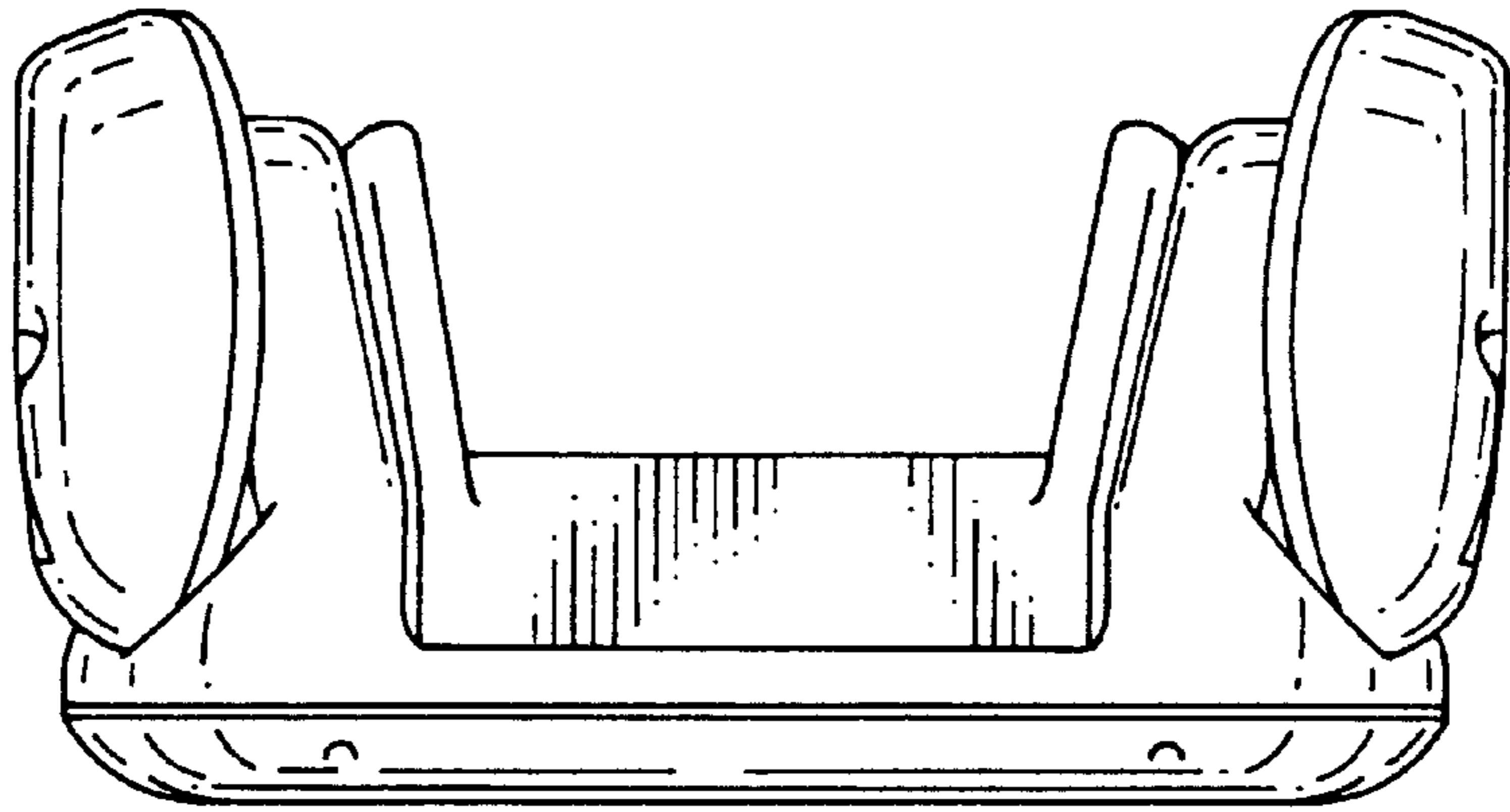


Fig. 5

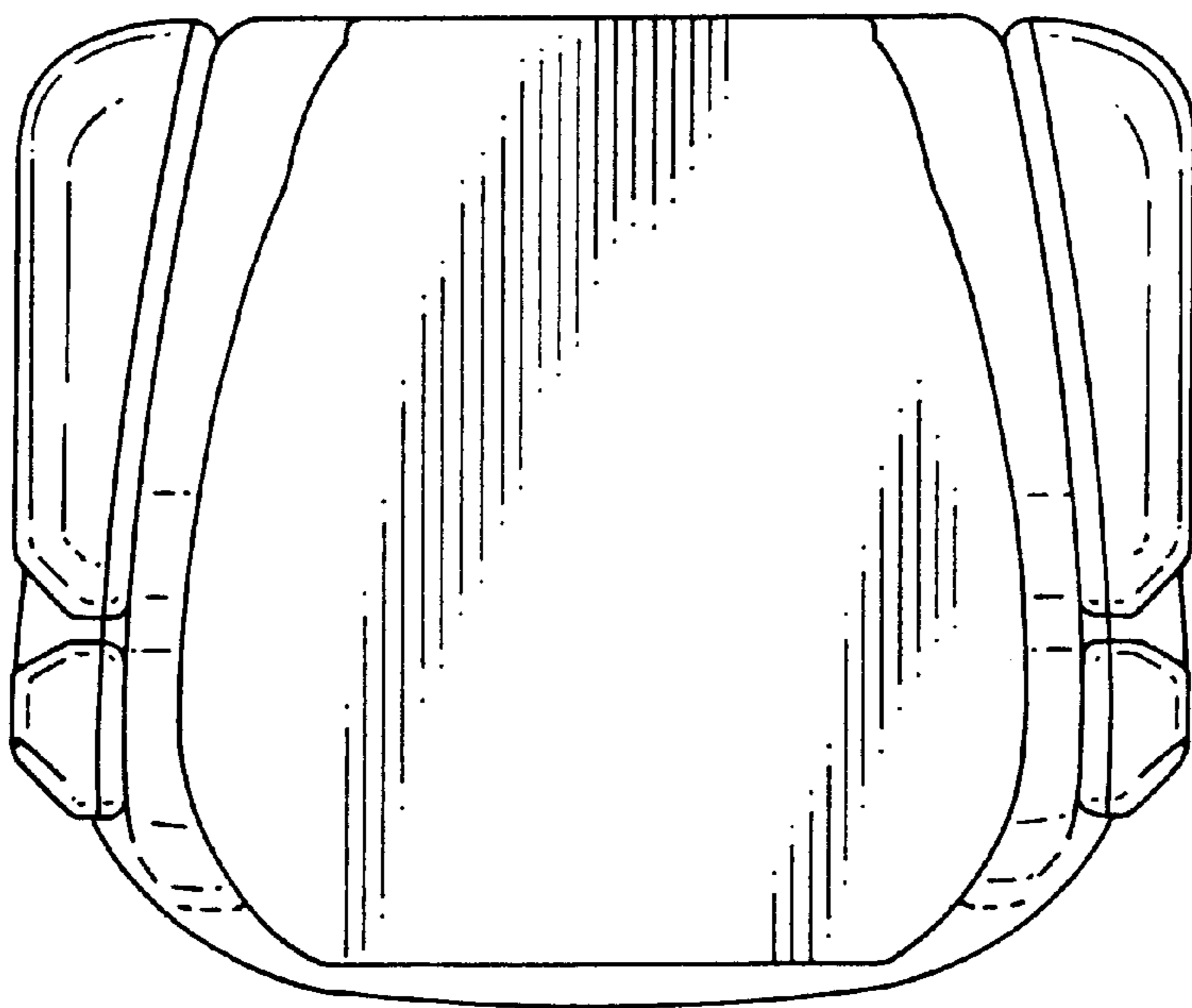


Fig. 6

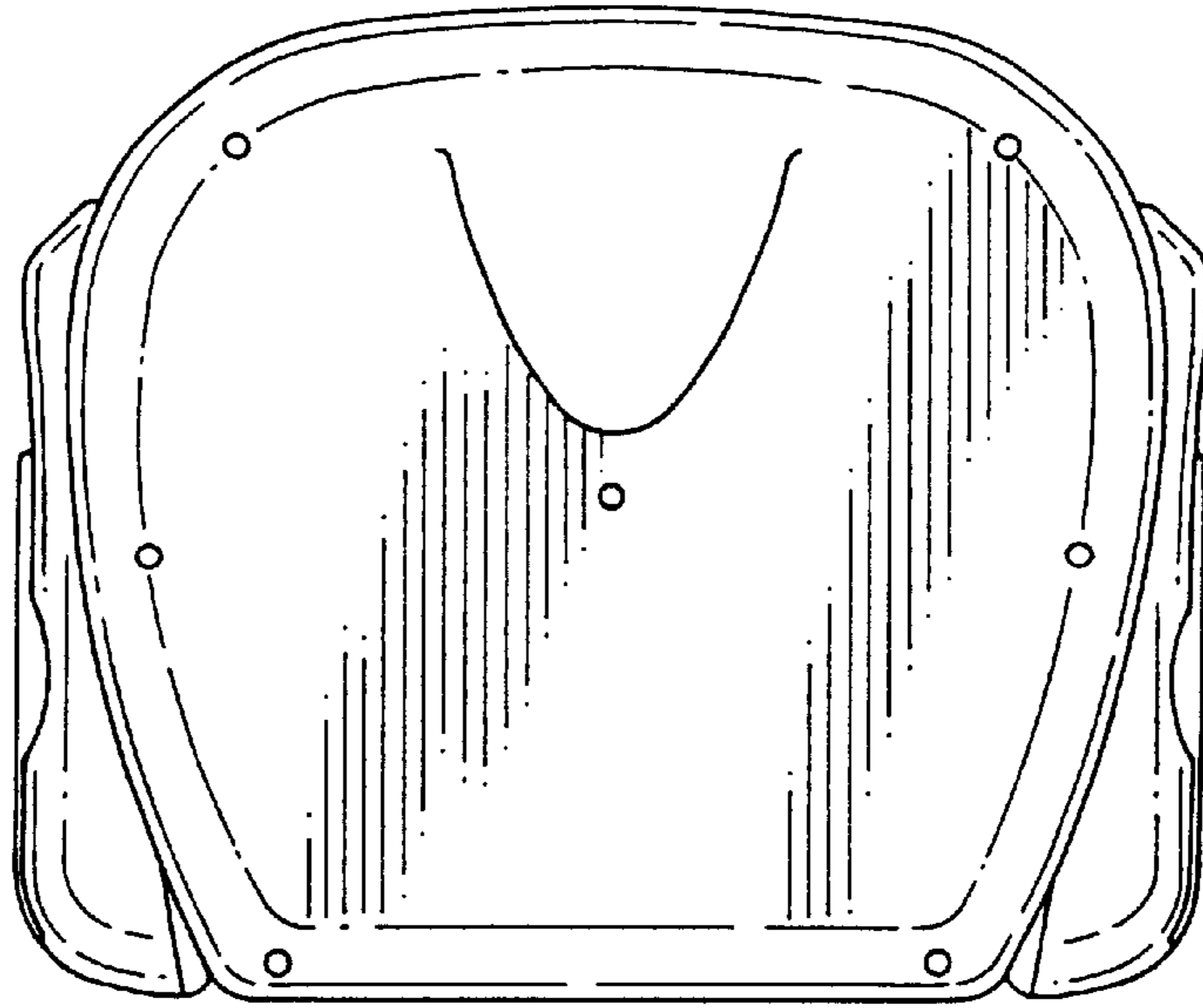


Fig. 7

