



US00D453630S

(12) **United States Design Patent**
Chan

(10) **Patent No.:** **US D453,630 S**

(45) **Date of Patent:** **** Feb. 19, 2002**

(54) **TIE HOLDER**

(75) Inventor: **Keith Chan**, New Territories (HK)

(73) Assignee: **Hurricane International Limited**, New Territories (HK)

(**) Term: **14 Years**

(21) Appl. No.: **29/128,908**

(22) Filed: **Sep. 6, 2000**

(51) **LOC (7) Cl.** **06-08**

(52) **U.S. Cl.** **D6/315**

(58) **Field of Search** **D6/315, 513; 211/113; 223/DIG. 1, 85**

(56) **References Cited**

U.S. PATENT DOCUMENTS

- D207,076 S * 2/1967 Bertram
- D229,797 S * 1/1974 Patasnik
- D237,852 S * 12/1975 Aron
- D368,166 S * 3/1996 Sacks

5,881,931 A * 3/1999 Stanfield

5,934,524 A * 8/1999 Gray

6,053,378 A * 4/2000 Doyel

* cited by examiner

Primary Examiner—B. J. Bullock

(74) *Attorney, Agent, or Firm*—Rabin & Berdo, P.C.

(57) **CLAIM**

The ornamental design for a tie holder, as shown and described.

DESCRIPTION

FIG. 1 is a front view of a tie holder showing my new design;

FIG. 2 is a top view thereof;

FIG. 3 is a left side view thereof;

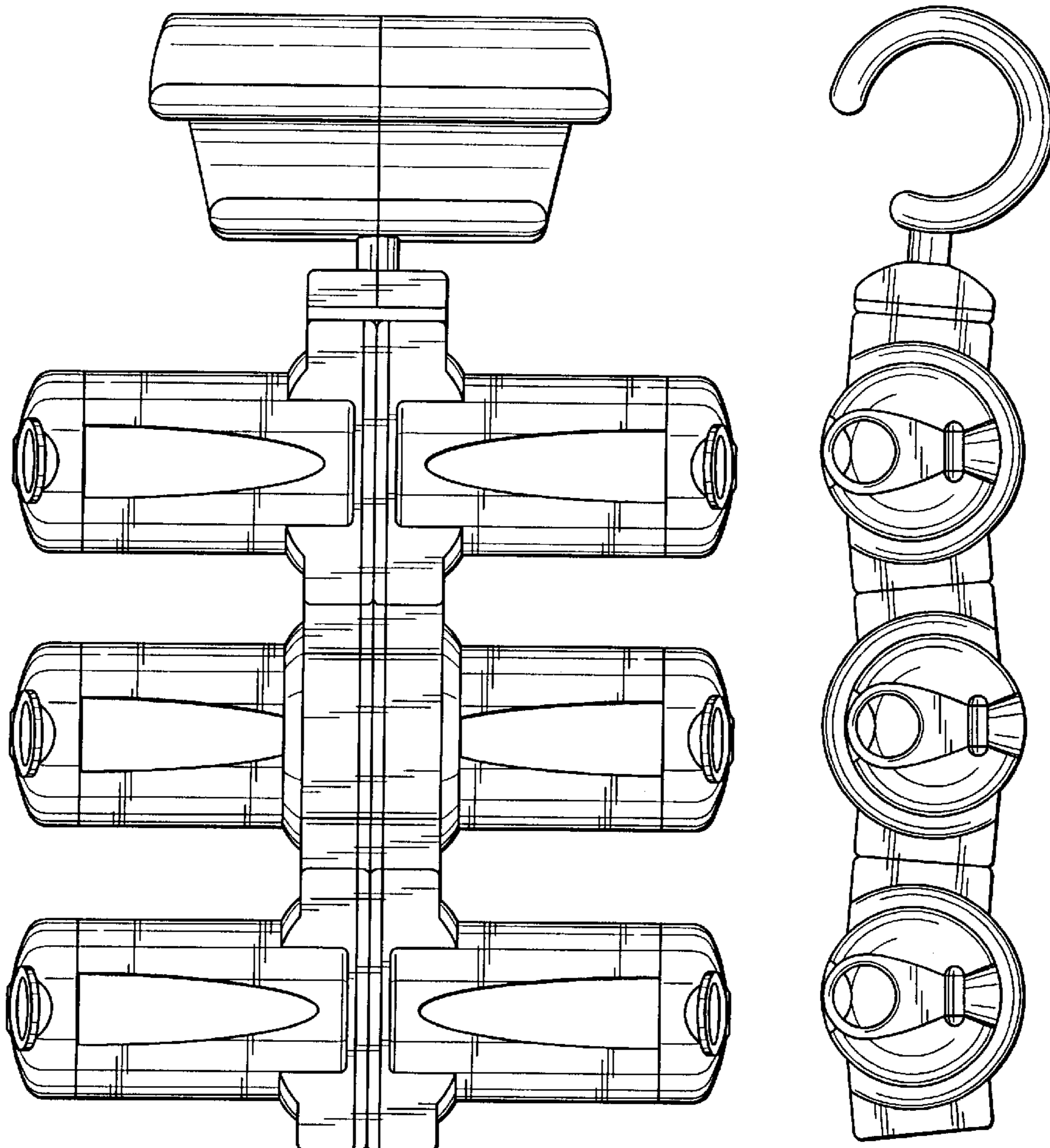
FIG. 4 is a right side view thereof;

FIG. 5 is a rear view thereof;

FIG. 6 is a bottom view thereof; and,

FIG. 7 is an exploded front view thereof.

1 Claim, 4 Drawing Sheets



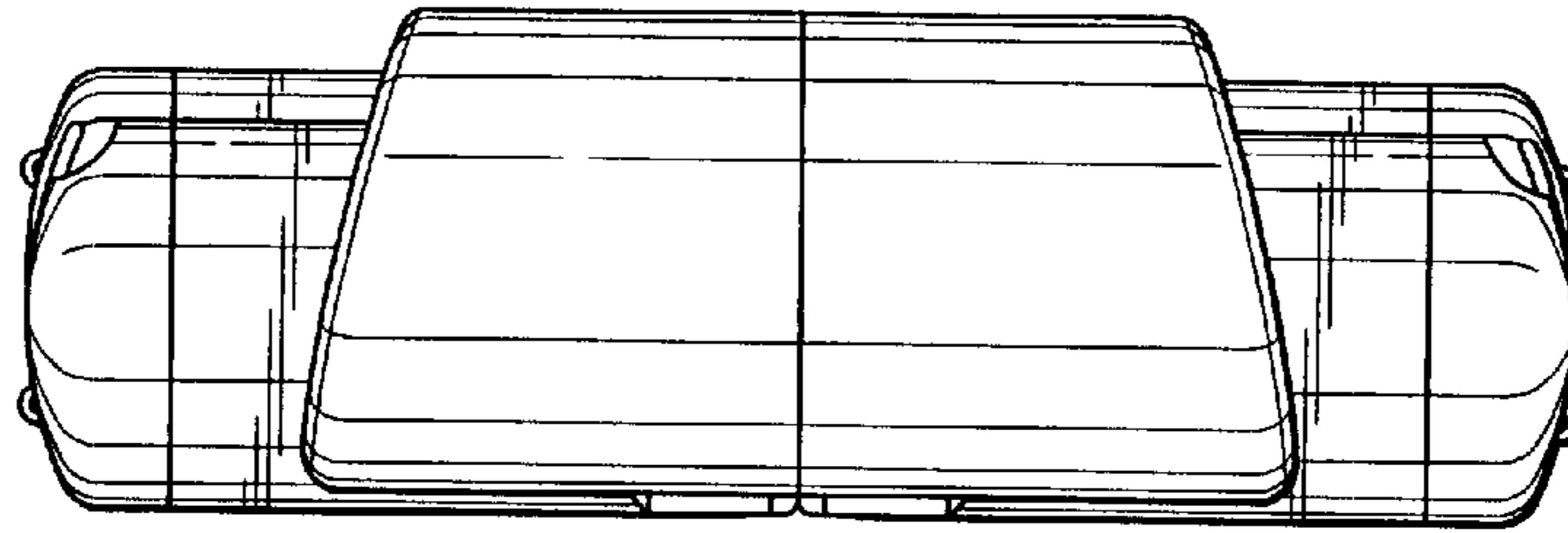


FIG. 2

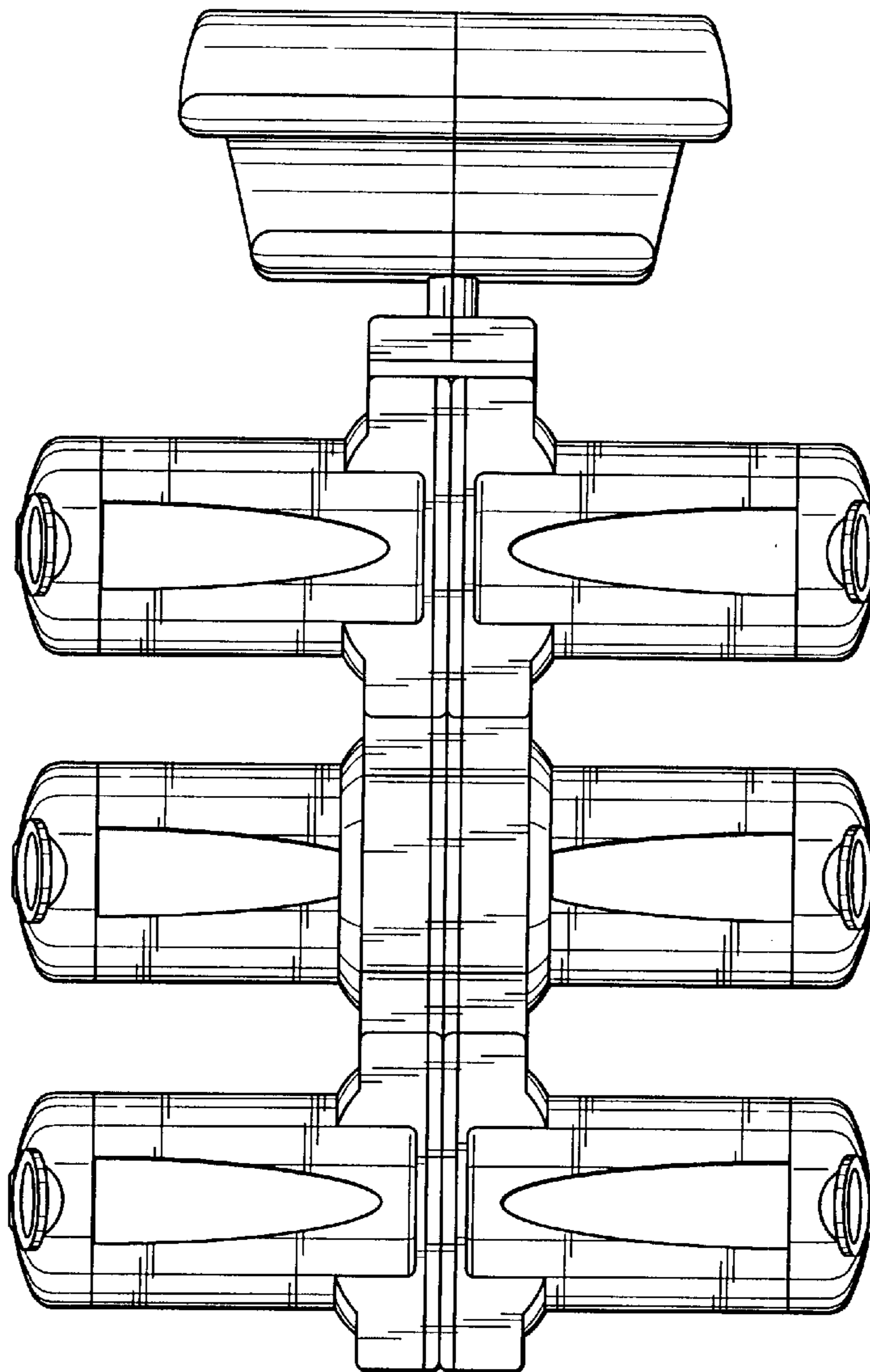


FIG. 1

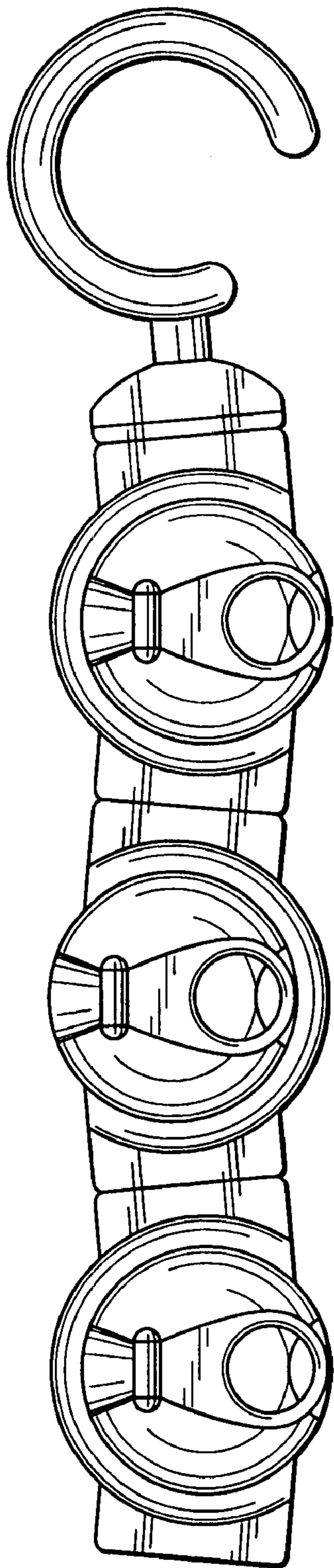


FIG. 3

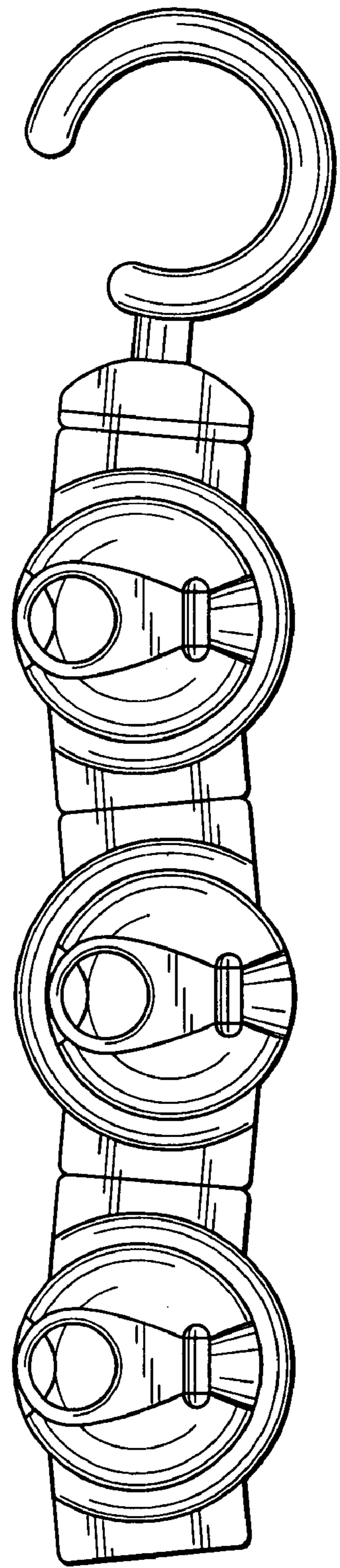


FIG. 4

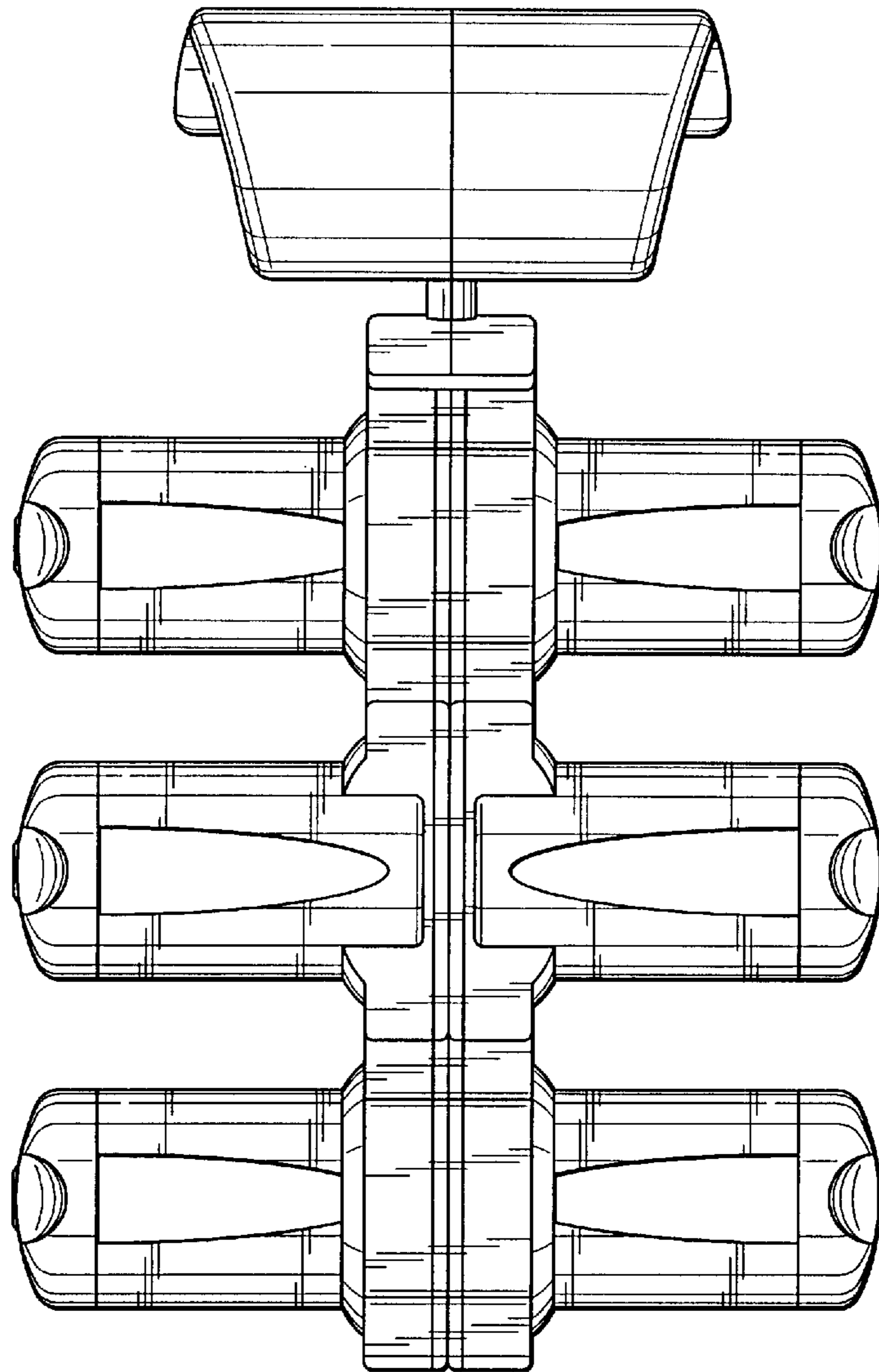


FIG. 5

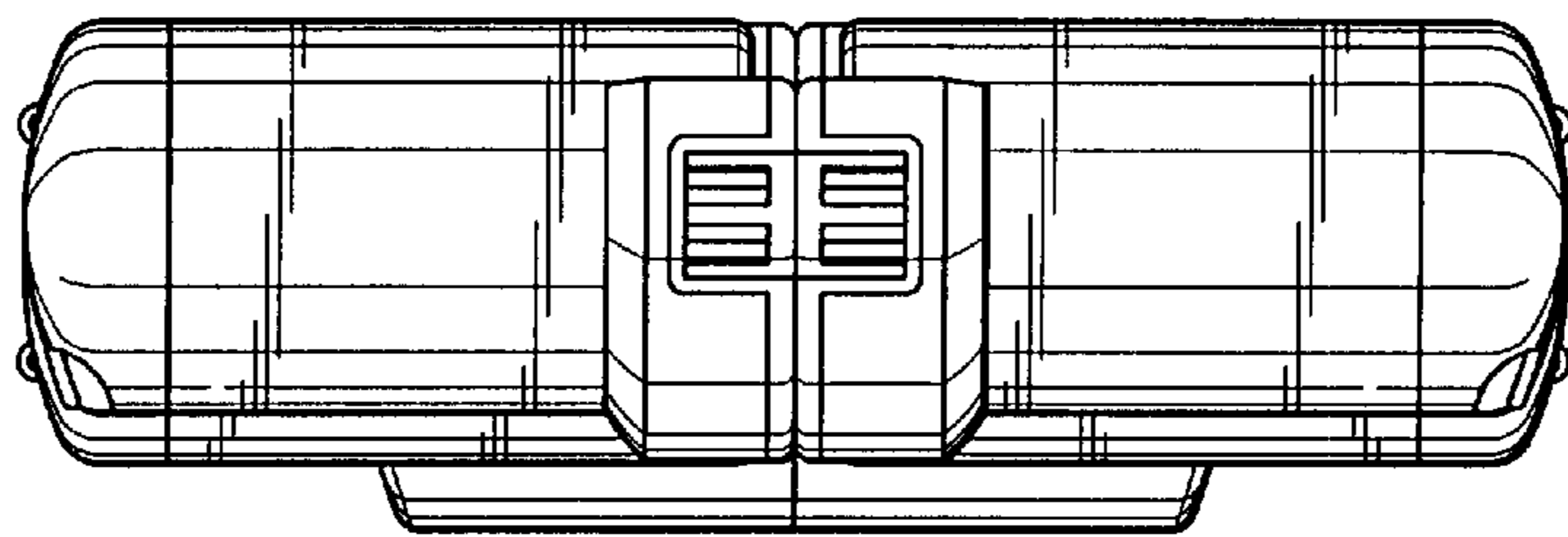


FIG. 6

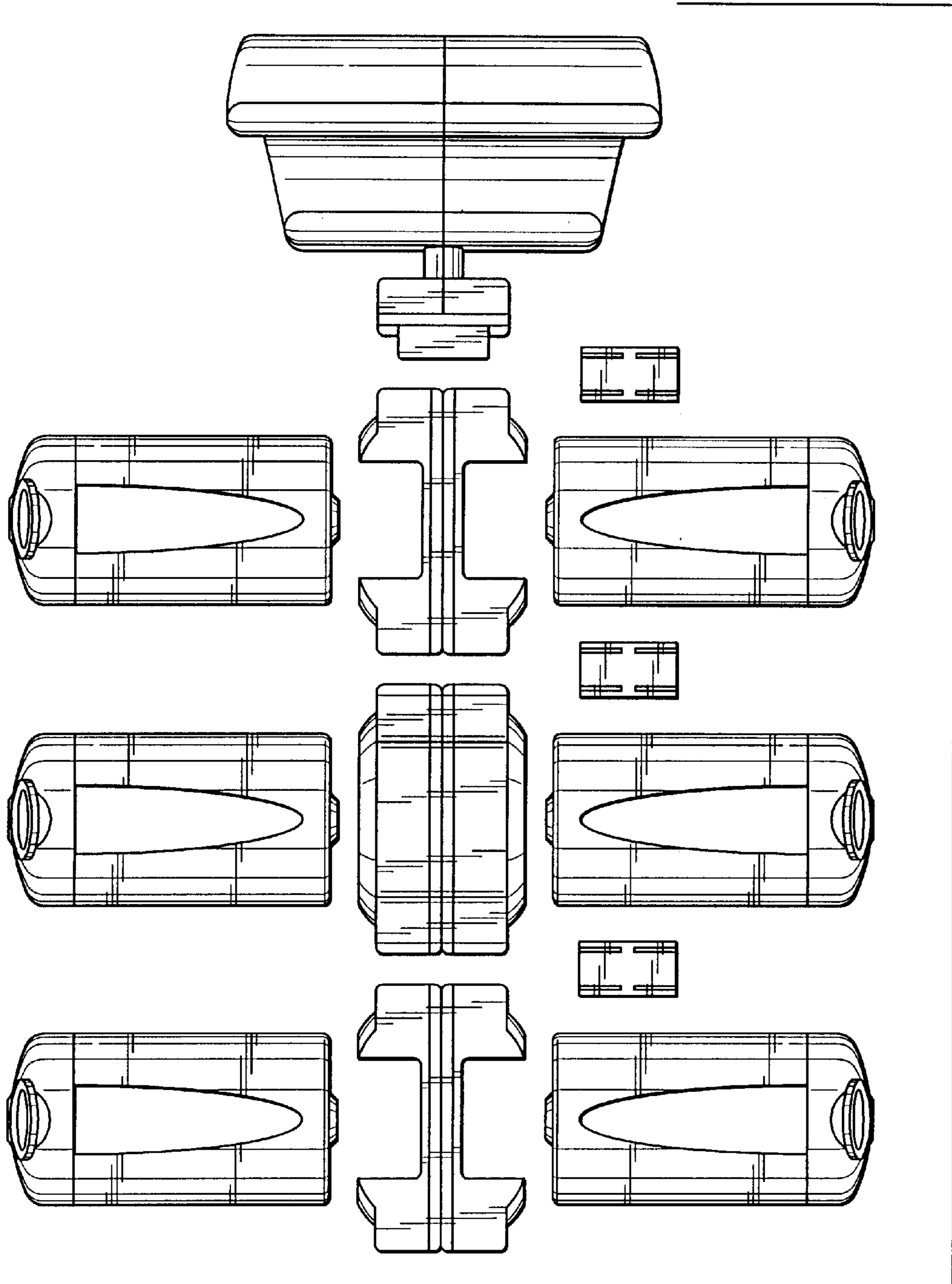


FIG. 7