



US00D453625S

(12) **United States Design Patent** (10) **Patent No.:** **US D453,625 S**  
**Mogil** (45) **Date of Patent:** **\*\* Feb. 19, 2002**

(54) **CONTAINER**

(75) Inventor: **Melvin S. Mogil**, Toronto (CA)

(73) Assignee: **California Innovations, Inc.**, Toronto (CA)

(\*\*) Term: **14 Years**

(21) Appl. No.: **29/132,611**

(22) Filed: **Nov. 14, 2000**

(51) **LOC (7) Cl.** ..... **03-01**

(52) **U.S. Cl.** ..... **D3/301; D3/289**

(58) **Field of Search** ..... D3/273, 276, 287,  
D3/289, 269, 270, 271, 301; 190/100, 109,  
110, 111, 112, 113

(56) **References Cited**

**U.S. PATENT DOCUMENTS**

D296,955 S	*	8/1988	Janney et al.	.....	D3/271
D307,811 S	*	5/1990	Branco	.....	D3/289
D333,039 S	*	2/1993	Wells et al.	.....	D3/289
D333,383 S	*	2/1993	Brooks	.....	D3/289
D335,956 S	*	6/1993	Lucas	.....	D3/271
D351,729 S	*	10/1994	Weber-unger	.....	D3/289
D352,827 S	*	11/1994	Schildkraut	.....	D3/283
D355,568 S	*	2/1995	Paulin et al.	.....	D7/607
D419,770 S	*	2/2000	Mogil	.....	D3/283
6,041,960 A	*	3/2000	Leal	.....	220/315

\* cited by examiner

*Primary Examiner*—Philip S. Hyder

(74) *Attorney, Agent, or Firm*—Arent Fox Kintner Plotkin & Kahn, PLLC

(57) **CLAIM**

The ornamental design for a container, as shown and described.

**DESCRIPTION**

FIG. 1 is an isometric view of the first variant of the container taken from above one diagonal corner;

FIG. 2 is an isometric view of the first variant of the container taken from above the diagonally opposite corner to that of FIG. 1;

FIG. 3 is a front view of the first variant of the container of FIG. 1;

FIG. 4 is a right-hand side view of the first variant of the container of FIG. 1;

FIG. 5 is a rear view of the first variant of the container of FIG. 1;

FIG. 6 is a left-hand side view of the first variant of the container of FIG. 1;

FIG. 7 is a top view of the first variant of the container of FIG. 1;

FIG. 8 is a bottom view of the first variant of the container of FIG. 1;

FIG. 9 is an isometric view of the second variant of the container taken from above one diagonal corner;

FIG. 10 is an isometric view of the second variant of the container taken from above the diagonally opposite corner to that of FIG. 9;

FIG. 11 is a front view of the second variant of the container of FIG. 9;

FIG. 12 is a right-hand side view of the second variant of the container of FIG. 9;

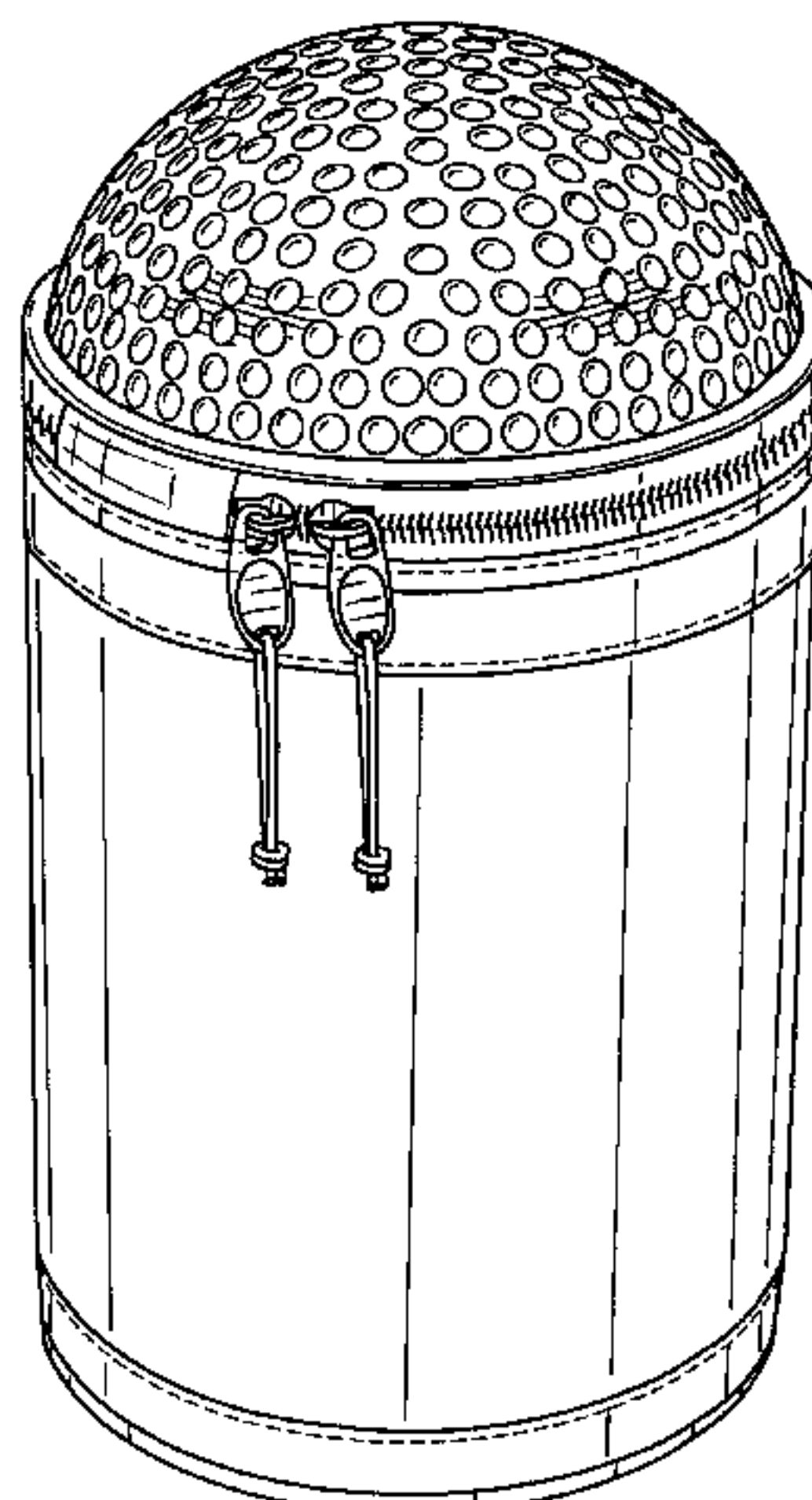
FIG. 13 is a rear view of the second variant of the container of FIG. 9;

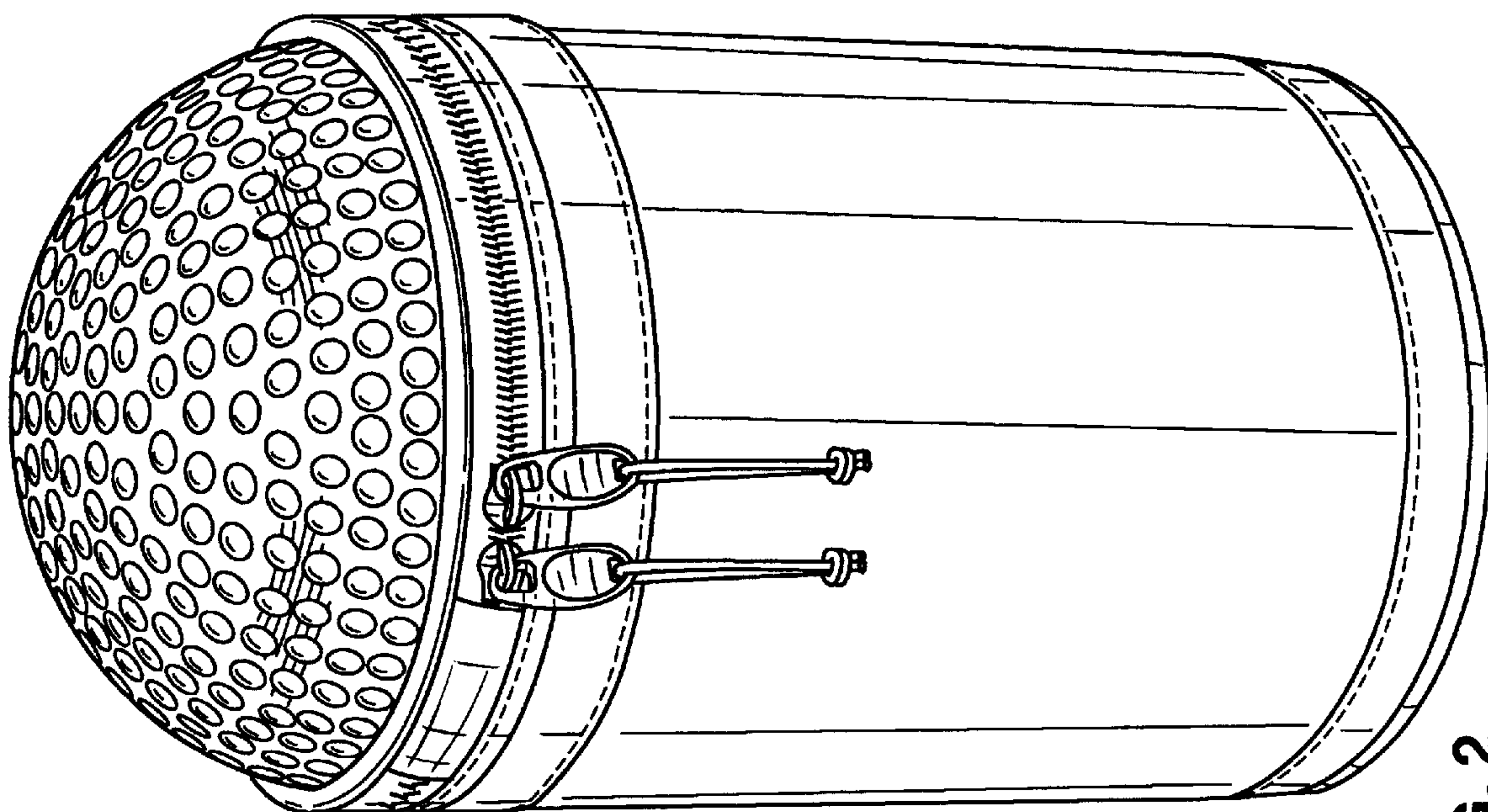
FIG. 14 is a left-hand side view of the second variant of the container of FIG. 9;

FIG. 15 is a top view of the second variant of the container of FIG. 9; and,

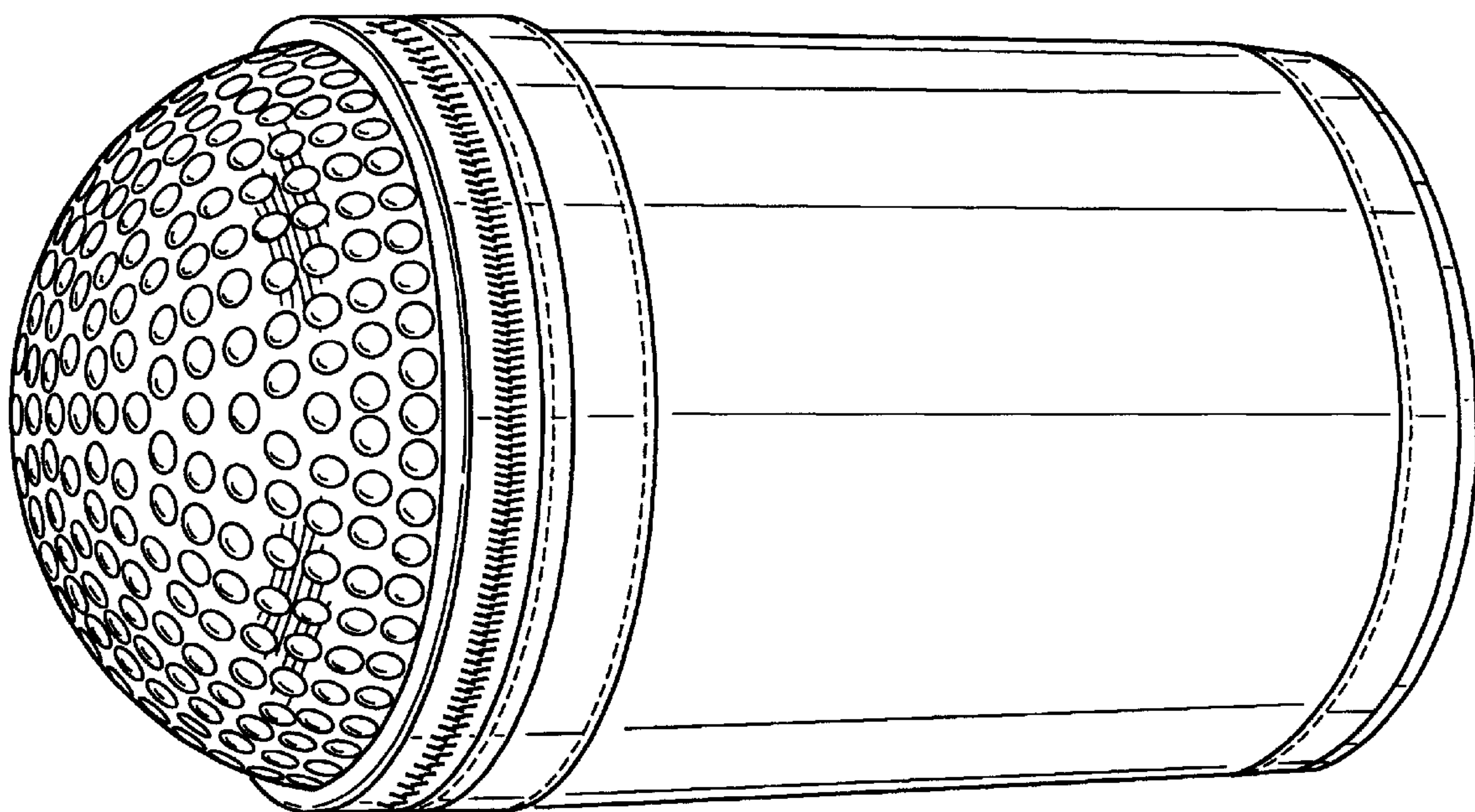
FIG. 16 is a bottom view of the second variant of the container of FIG. 9.

**1 Claim, 8 Drawing Sheets**

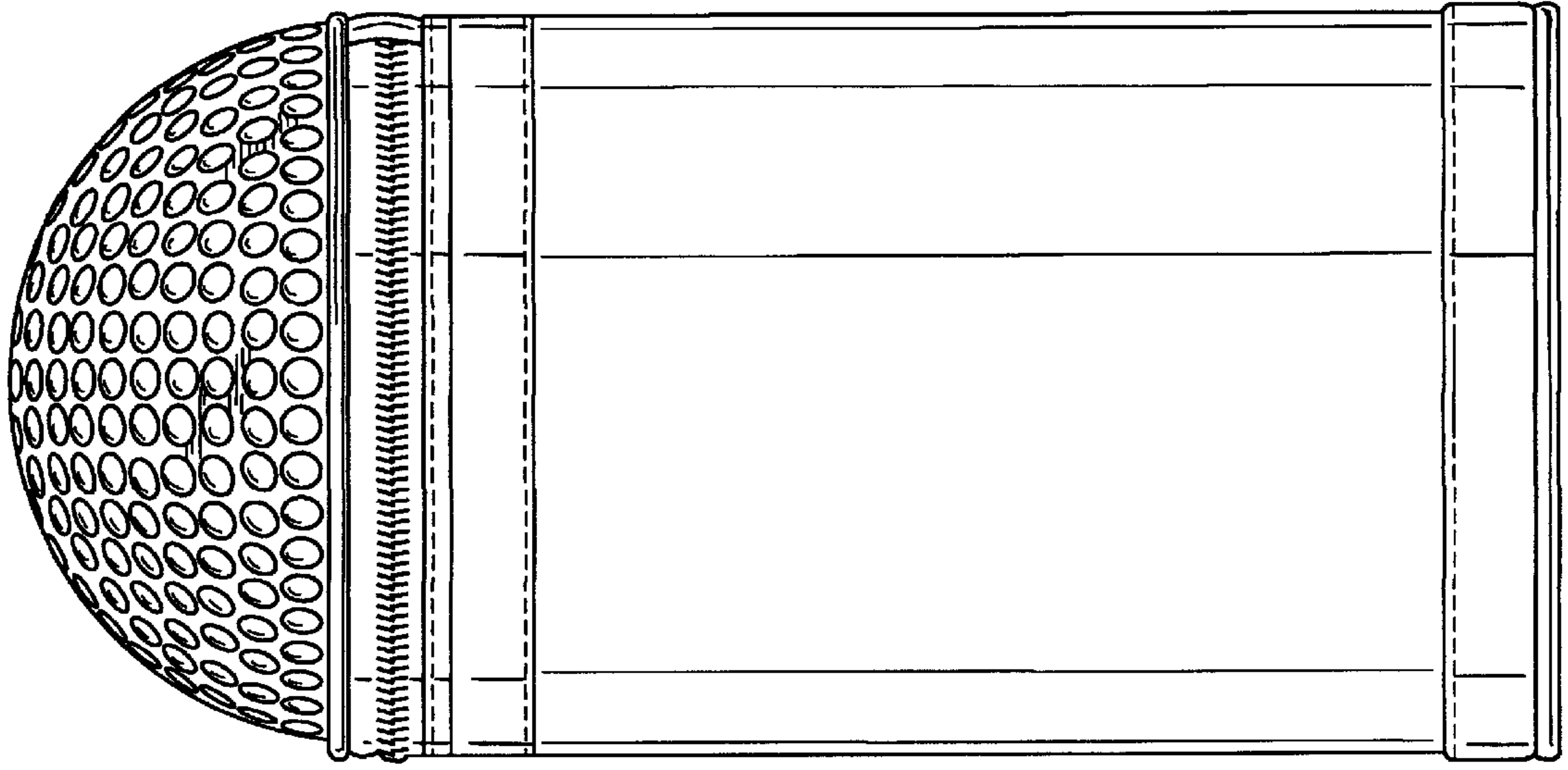




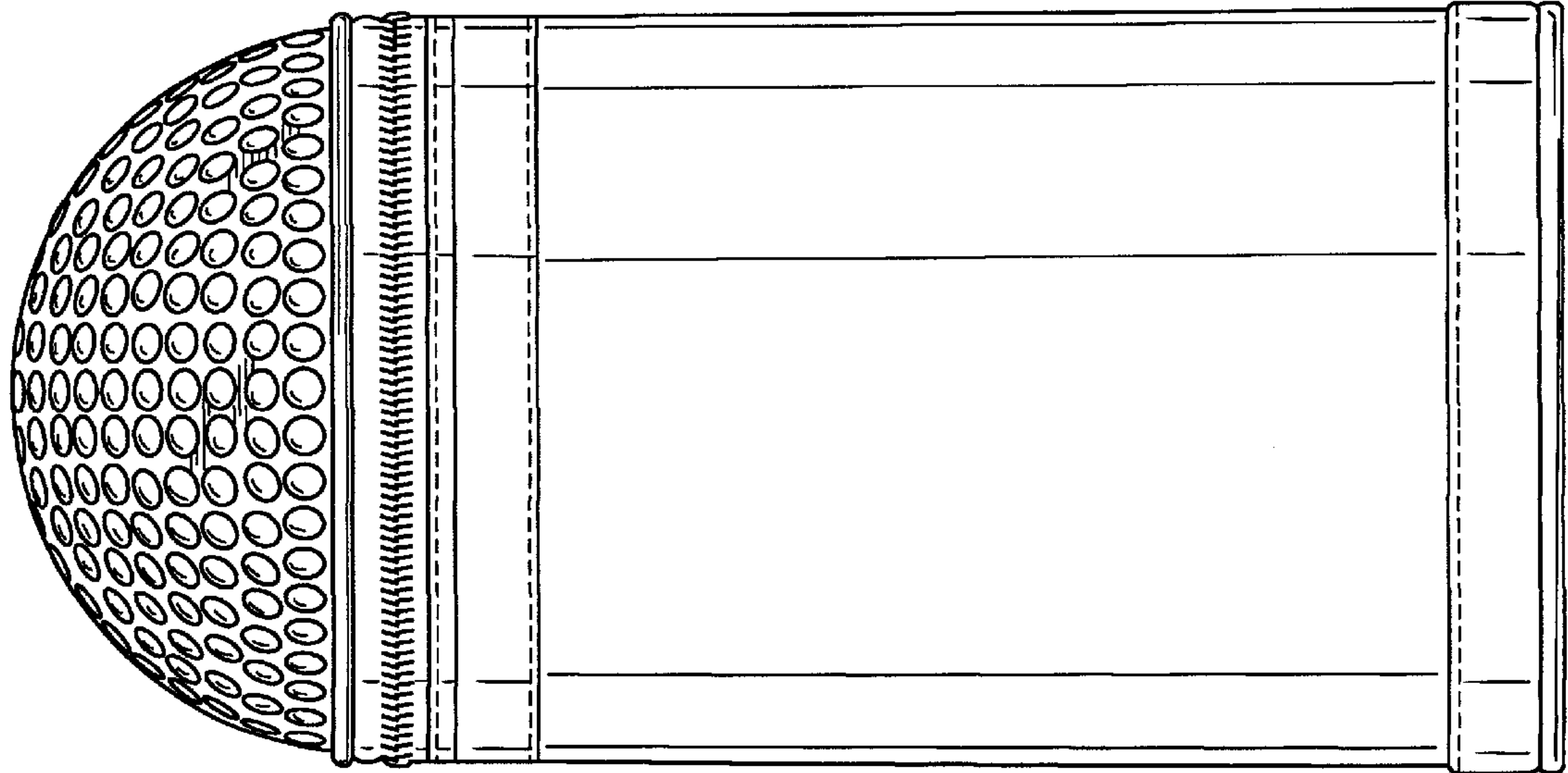
**FIG. 2**



**FIG. 1**

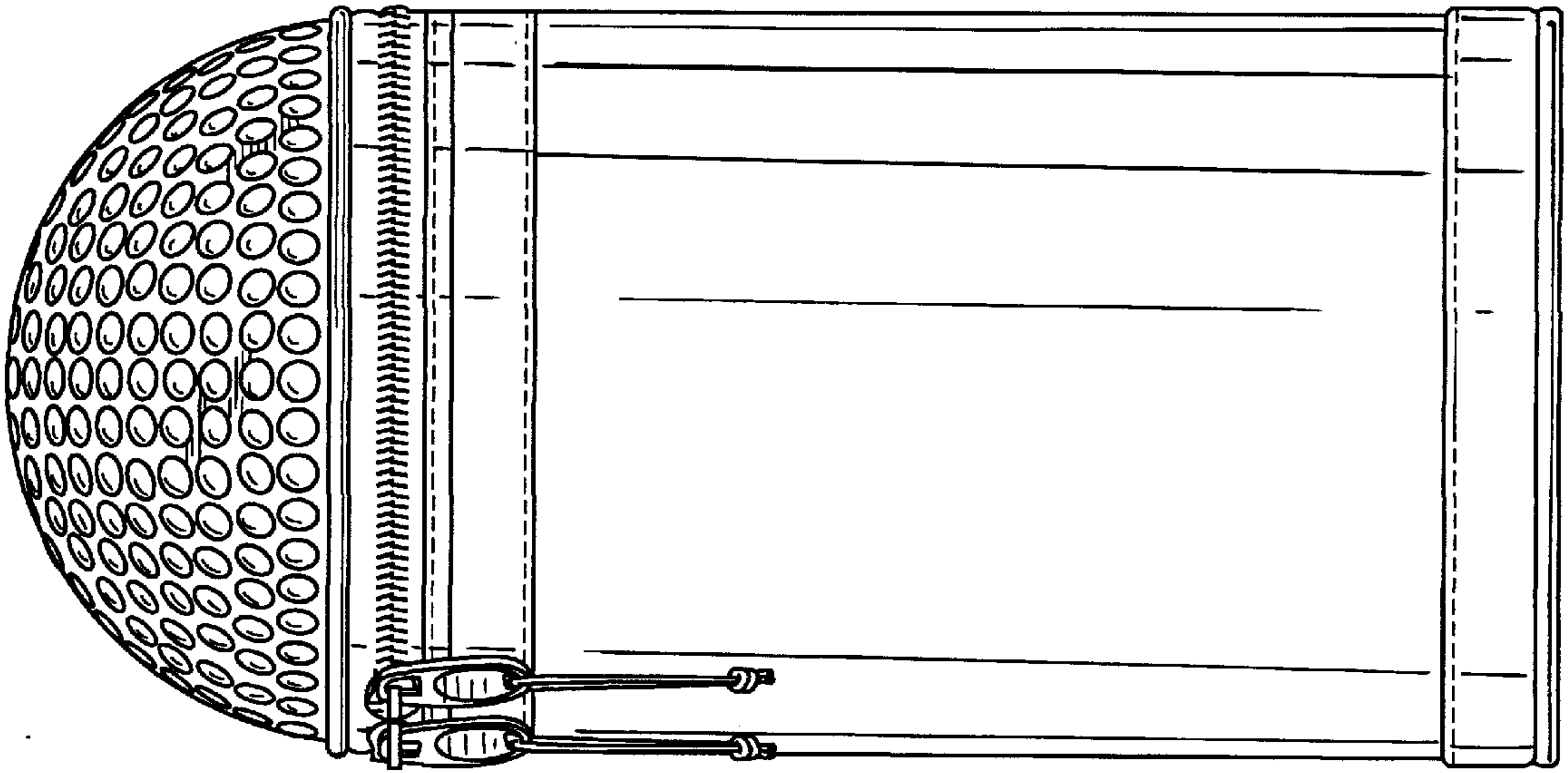


**FIG. 4**

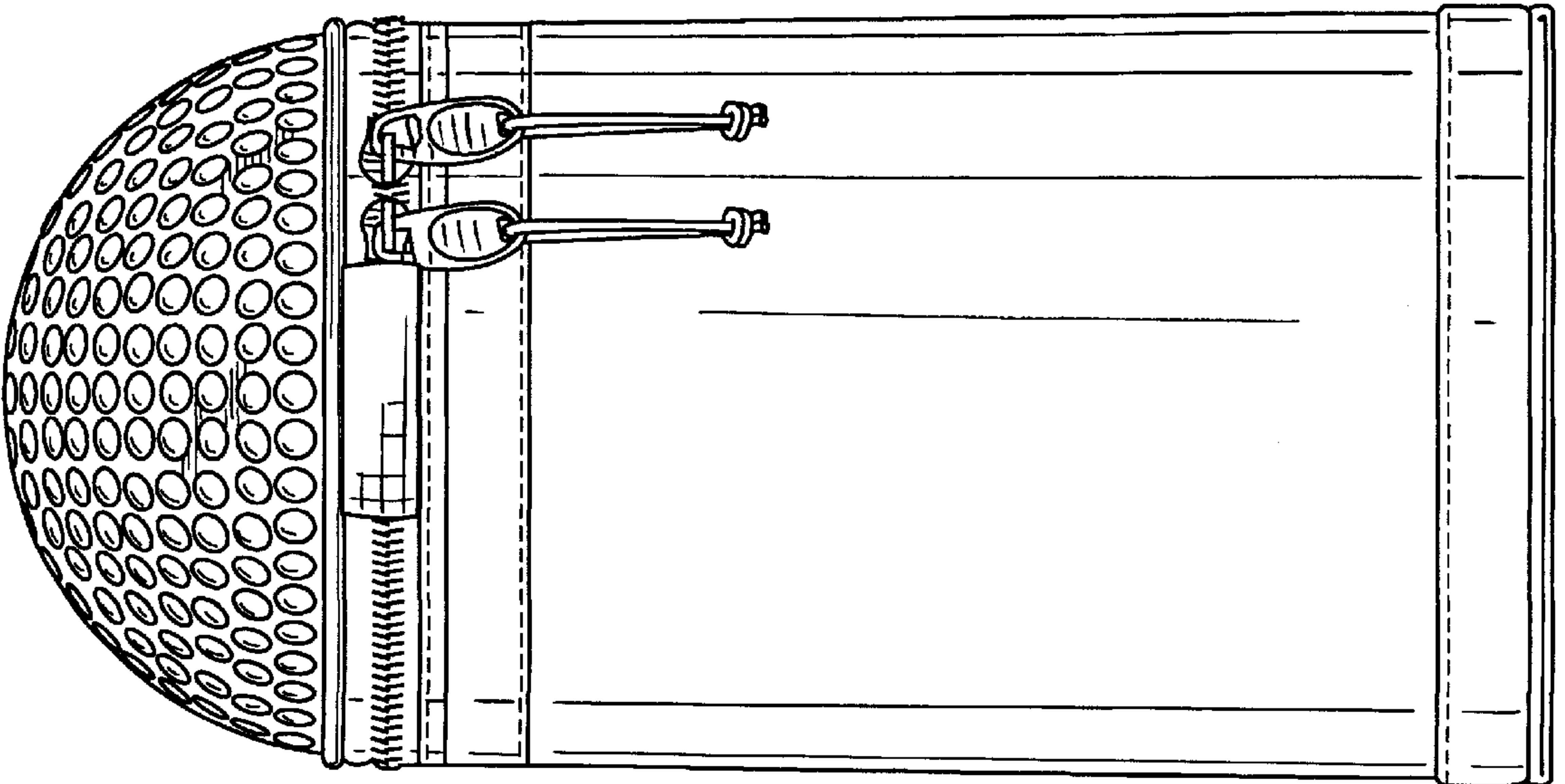


**FIG. 3**

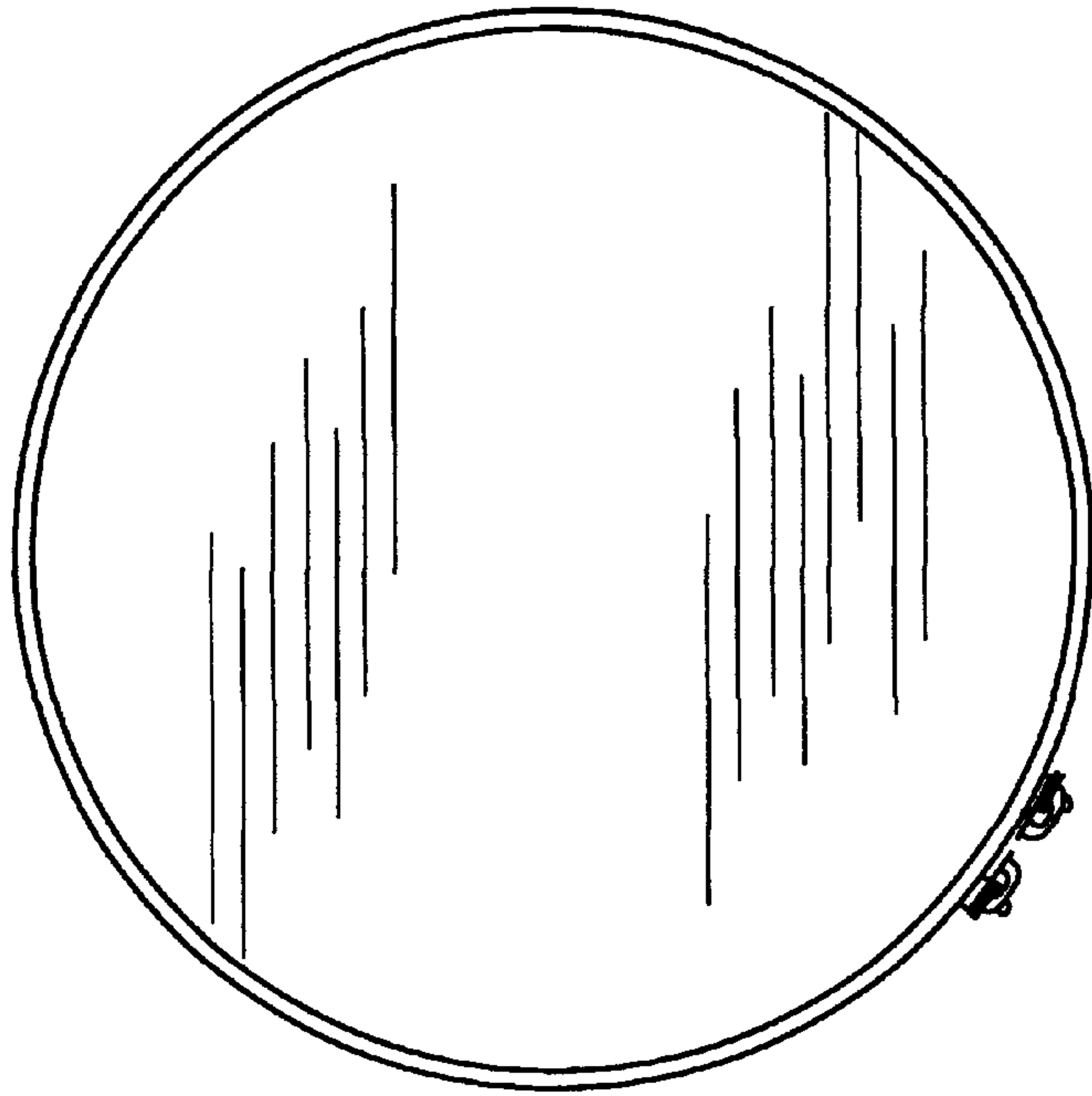




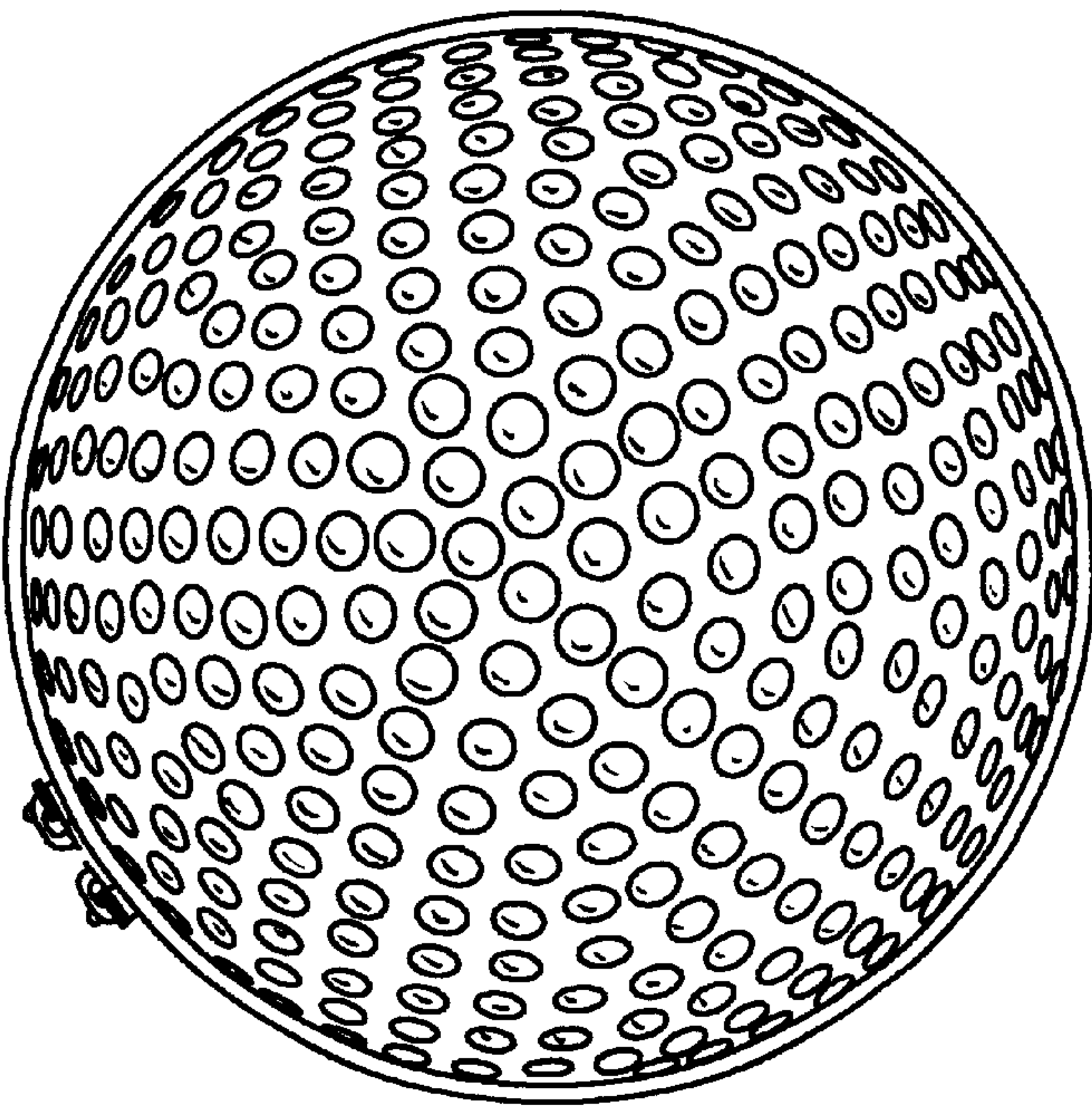
**FIG. 6**



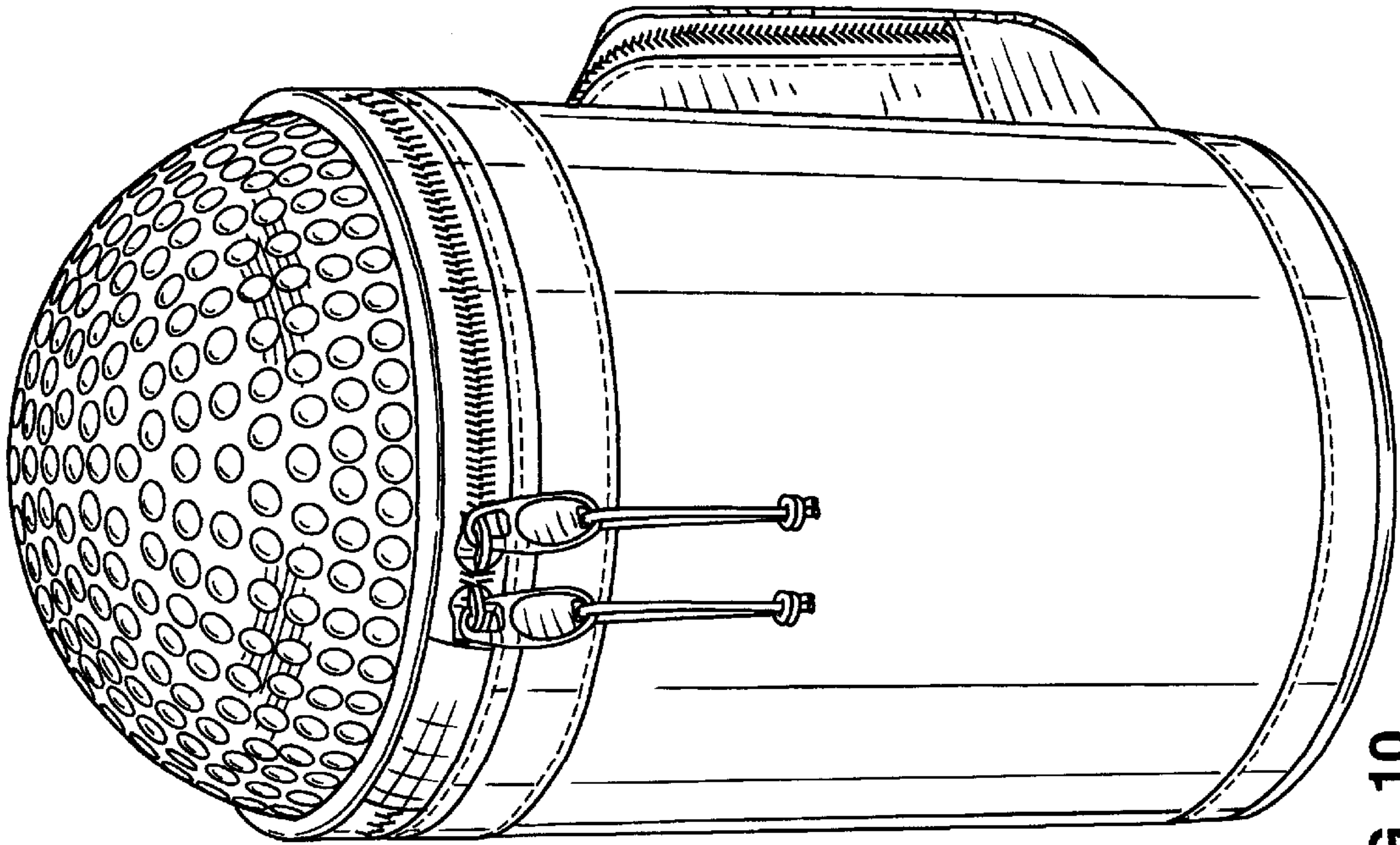
**FIG. 5**



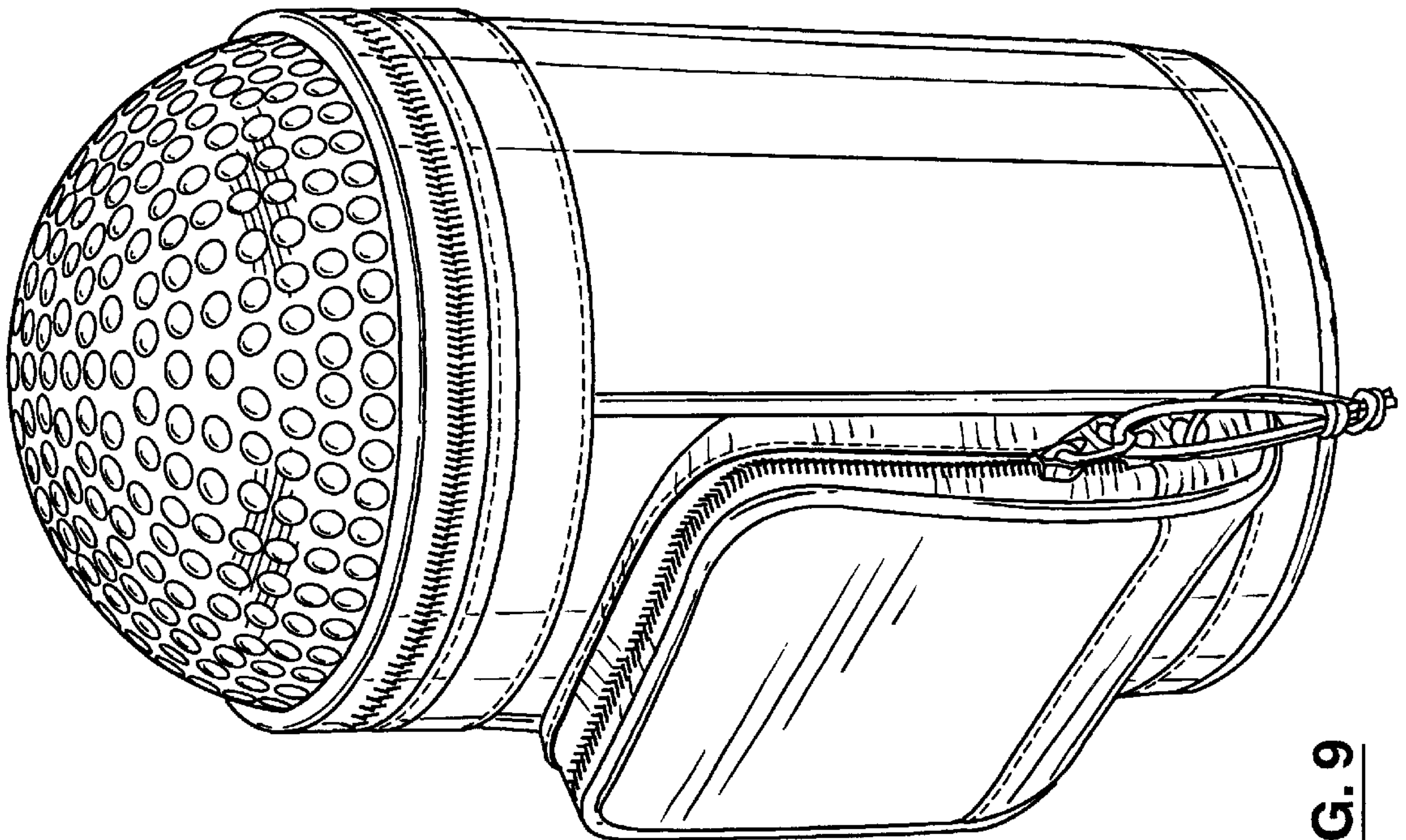
**FIG. 8**



**FIG. 7**

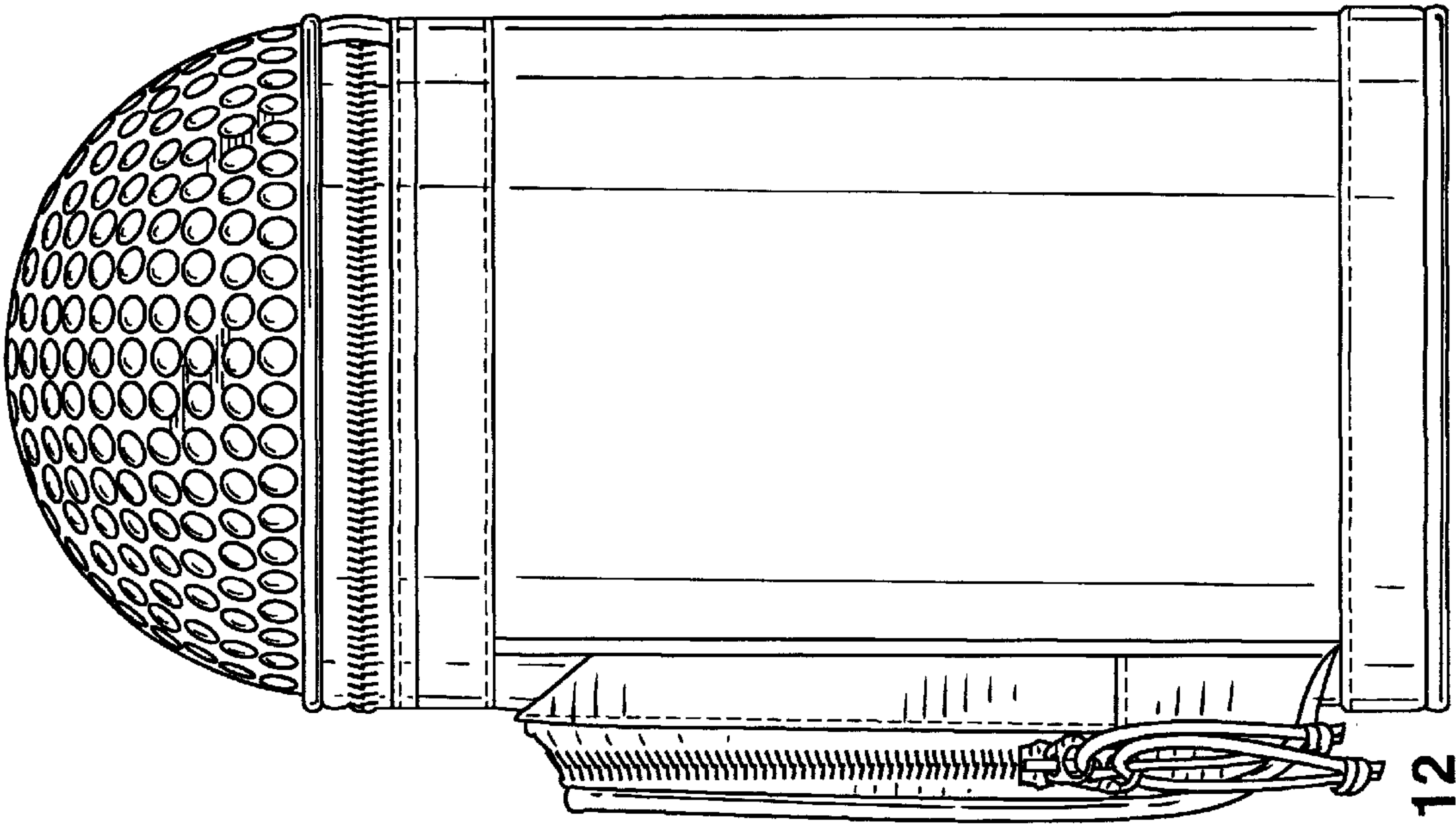


**FIG. 10**

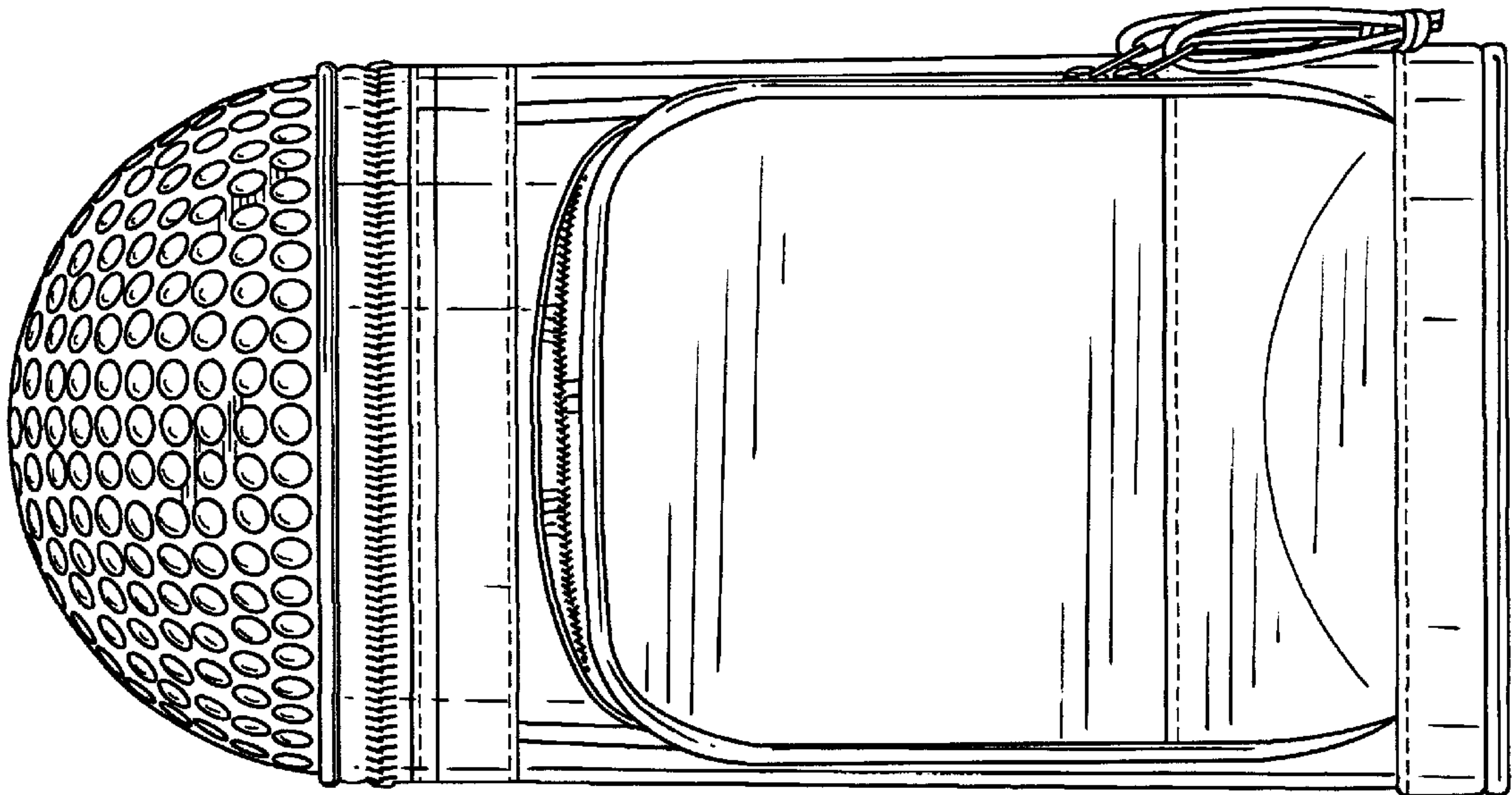


**FIG. 9**

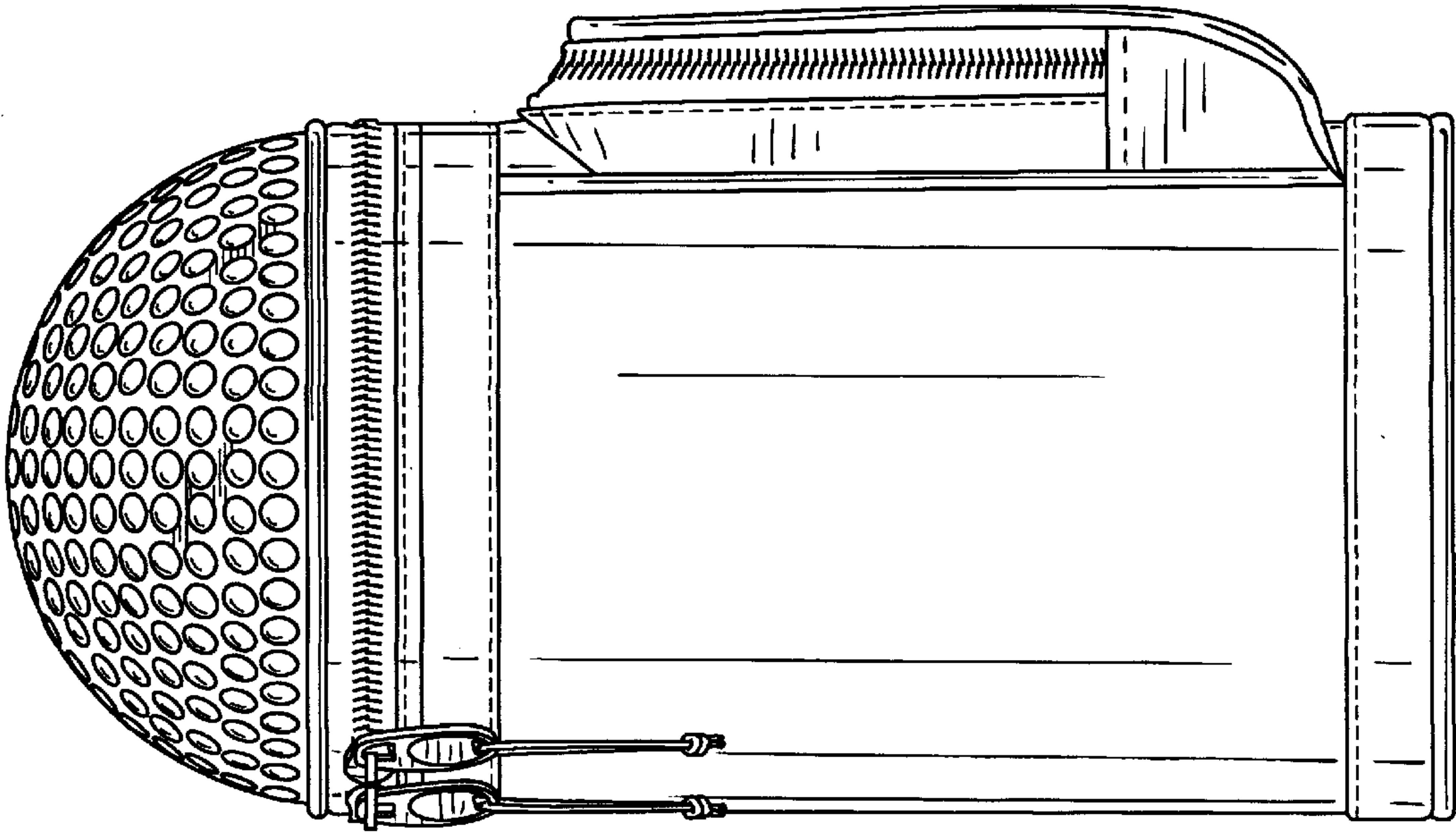




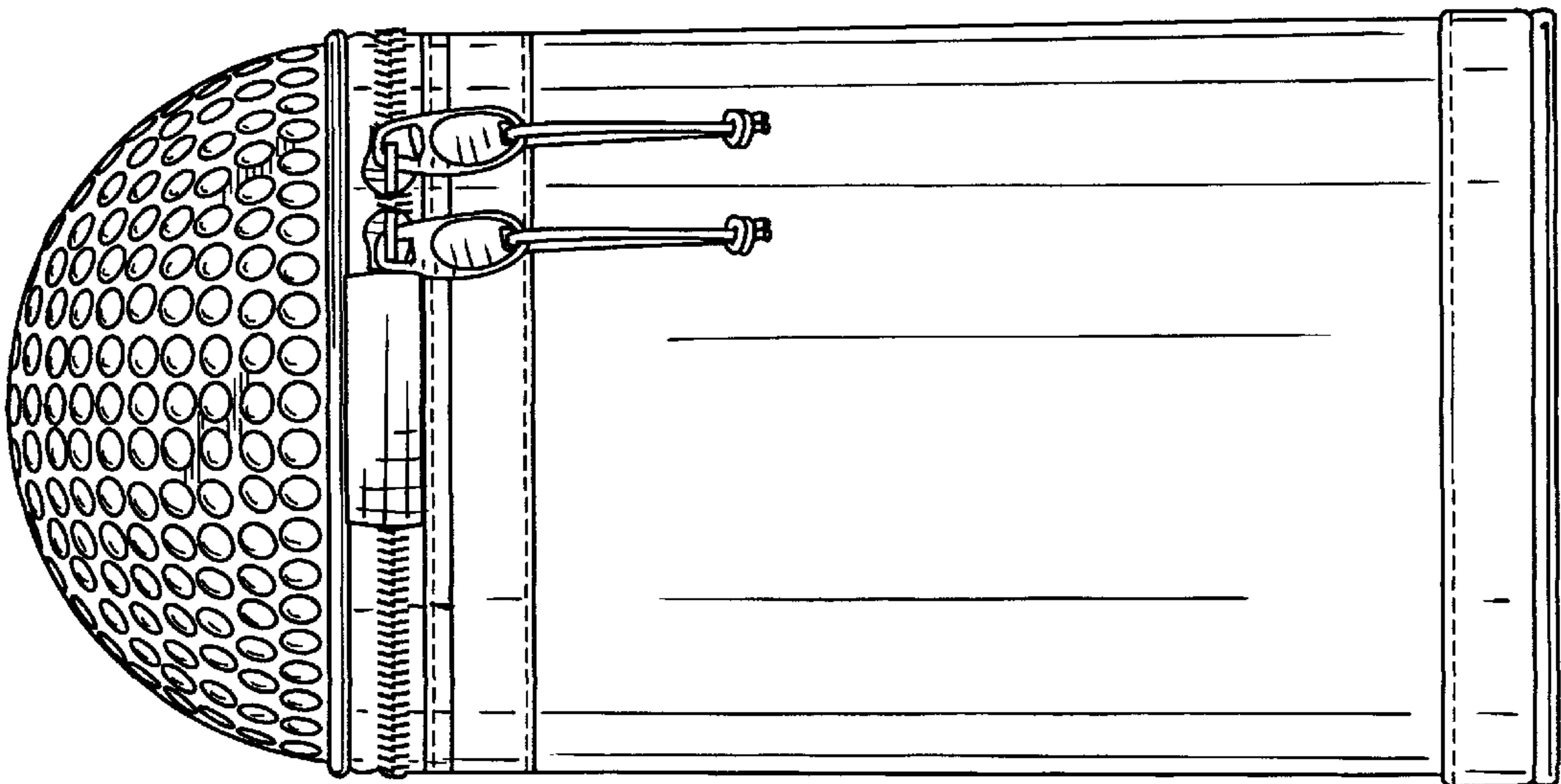
**FIG. 12**



**FIG. 11**



**FIG. 14**



**FIG. 13**



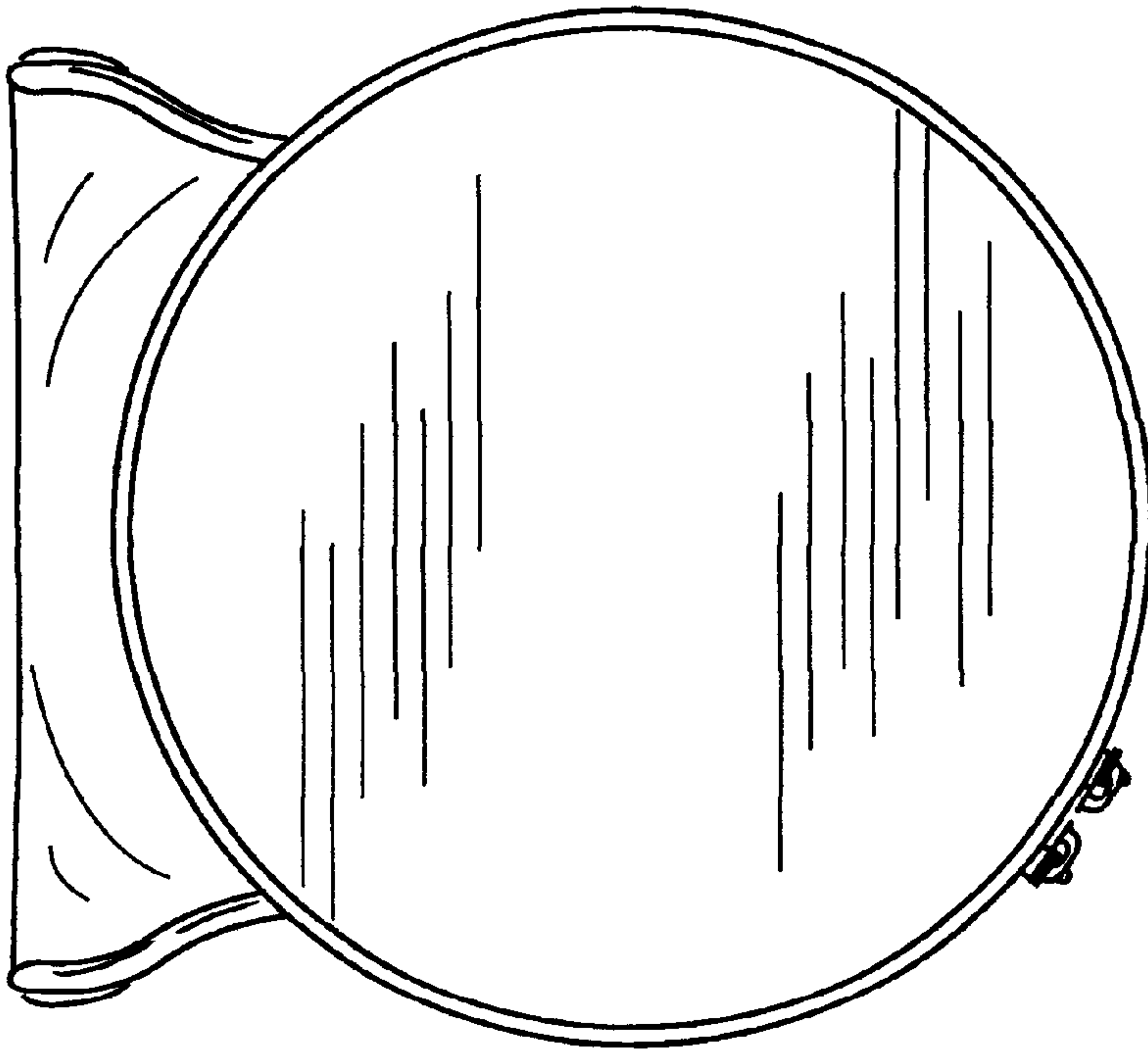


FIG. 16

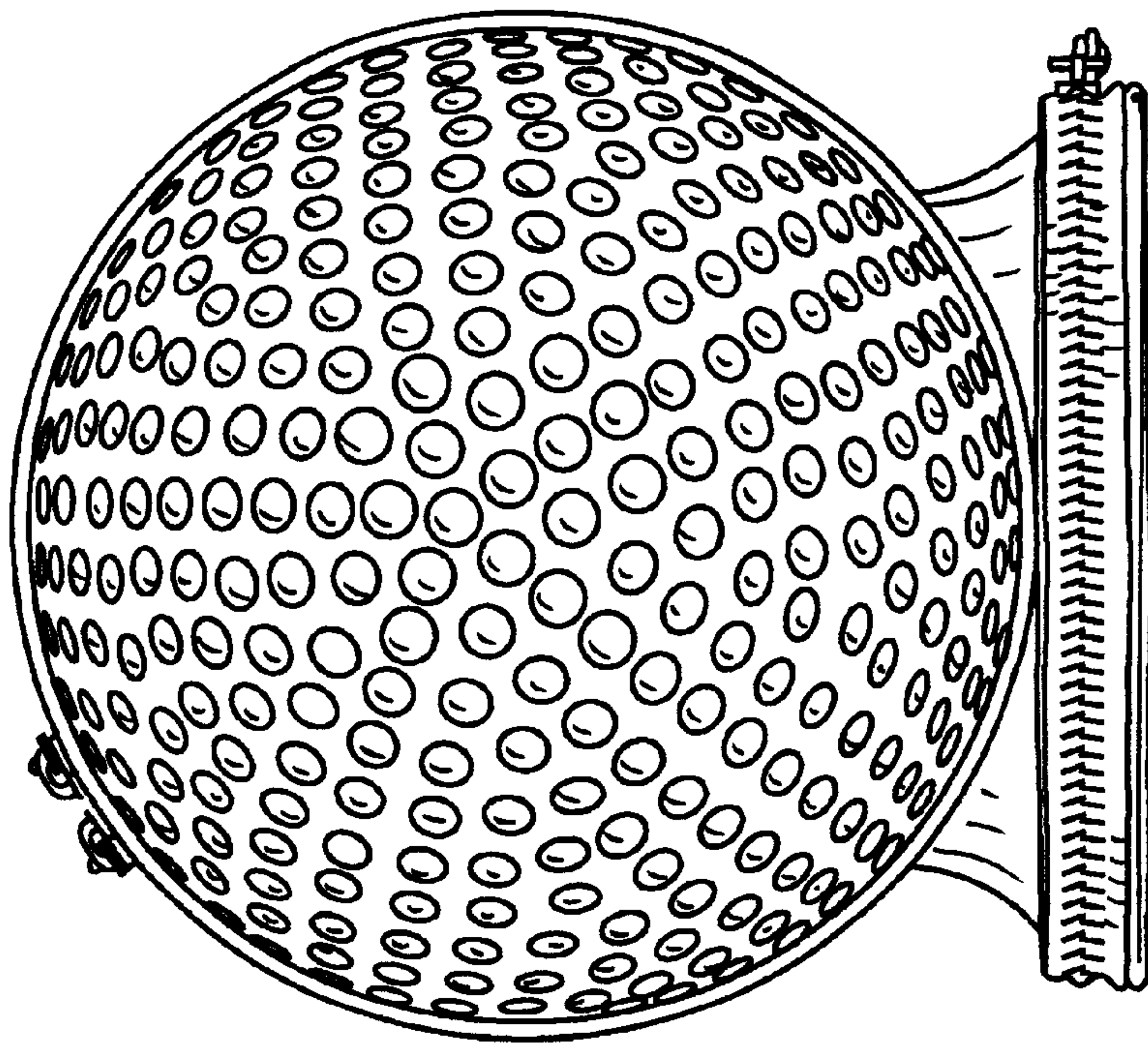


FIG. 15