



US00D453624S

(12) **United States Design Patent**  
**Itzkovitch**

(10) **Patent No.:** **US D453,624 S**

(45) **Date of Patent:** **\*\* Feb. 19, 2002**

(54) **TOOL BOX WITH COMPARTMENT FOR A LEVEL**

D424,297 S \* 5/2000 Story et al. .... D3/281  
D434,225 S \* 11/2000 Story et al. .... D3/281

(75) Inventor: **Guy Itzkovitch**, New York, NY (US)

\* cited by examiner

(73) Assignee: **Zag Industries, Ltd.**, Rosh Ha-Ayin (IL)

*Primary Examiner*—Philip S. Hyder

(74) *Attorney, Agent, or Firm*—Pillsbury Winthrop LLP

(\*\*) Term: **14 Years**

(57) **CLAIM**

The ornamental design for a tool box with compartment for a level, as shown and described.

(21) Appl. No.: **29/137,207**

**DESCRIPTION**

(22) Filed: **Feb. 16, 2001**

(51) **LOC (7) Cl.** ..... **03-01**

(52) **U.S. Cl.** ..... **D3/276; D3/281; D3/291; D3/905**

(58) **Field of Search** ..... D3/273, 276, 281, D3/282, 283, 291, 294, 905; 206/349, 372, 373, 379

FIG. 1 is a perspective view of a tool box with a level compartment in a closed position and thus the level is hidden from view;

FIG. 2 is a left side elevational view thereof;

FIG. 3 is a top plan view thereof;

FIG. 4 is a bottom plan view thereof;

FIG. 5 is a front view thereof;

FIG. 6 is a back view thereof; and

FIG. 7 is a perspective view thereof with a level compartment in an opened position and thus the level exposed and accessible to a user;

FIG. 8 is a view of section 8—8 of FIG. 6, which illustrates the feature of the back view as an indentation; and,

FIG. 9 is a right side elevational view there.

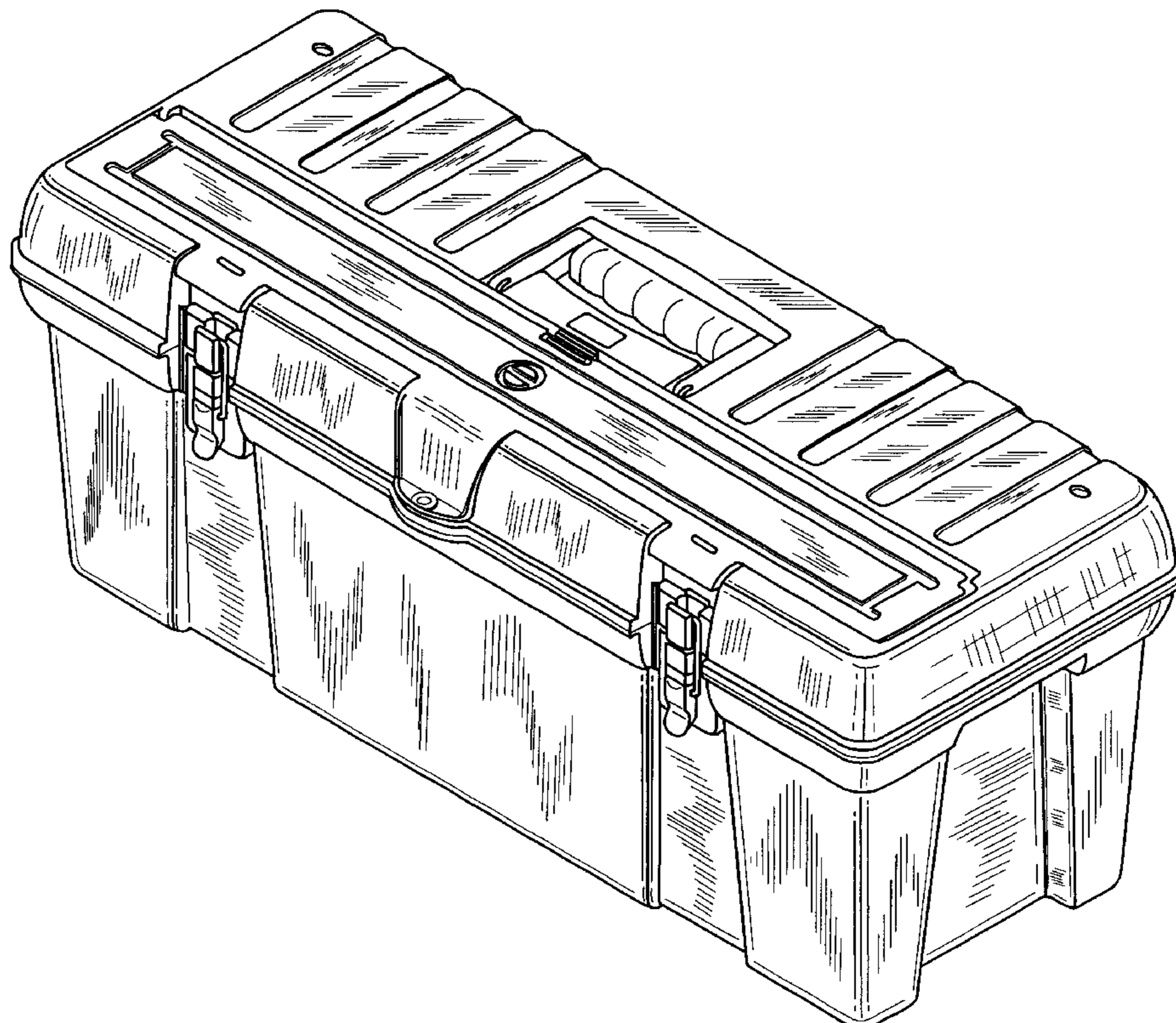
The broken line showing of the level in FIG. 7 is for illustrative purposes only and forms no part of the claimed design. The level is included only to show the use of the level compartment.

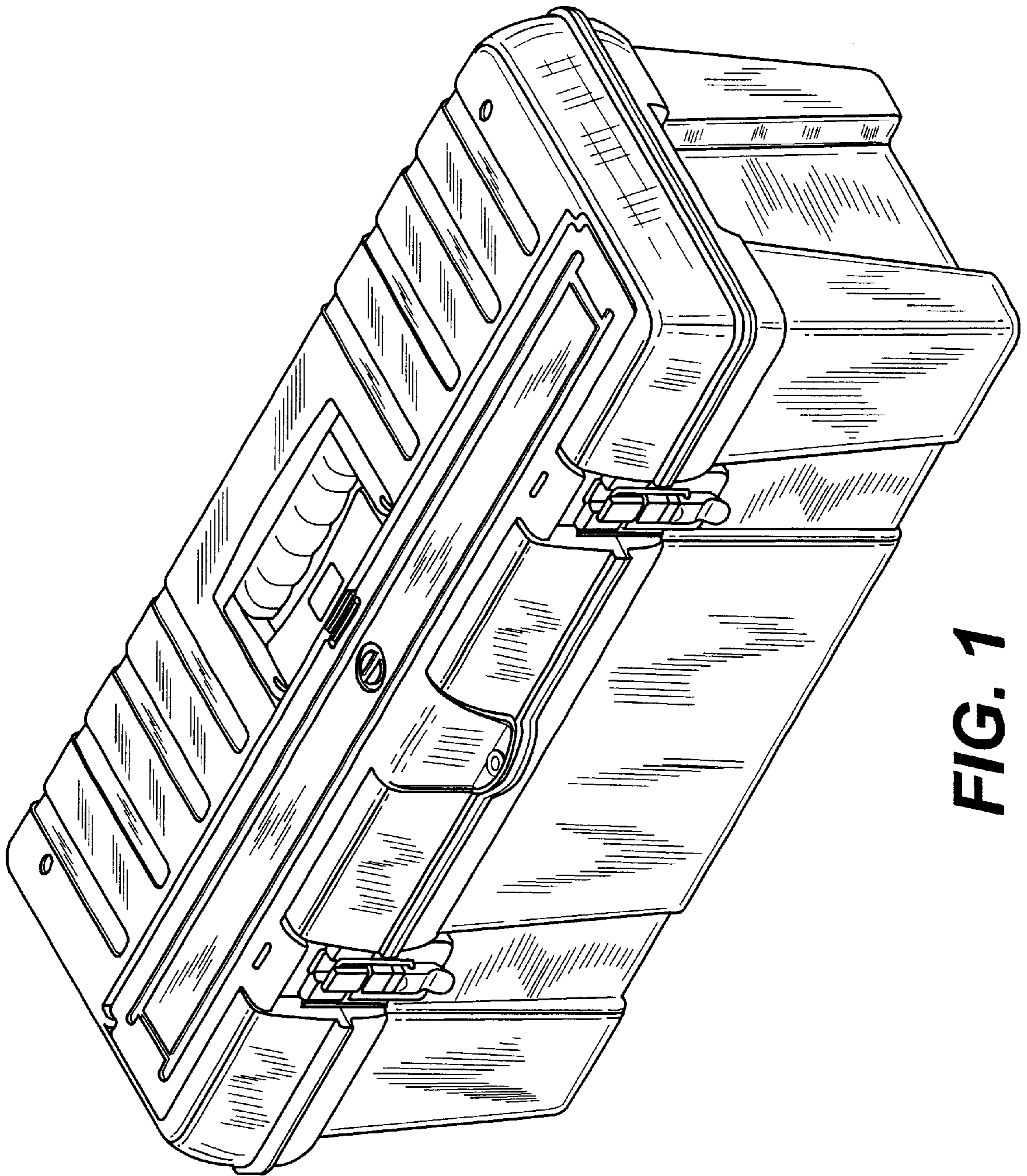
(56) **References Cited**

**U.S. PATENT DOCUMENTS**

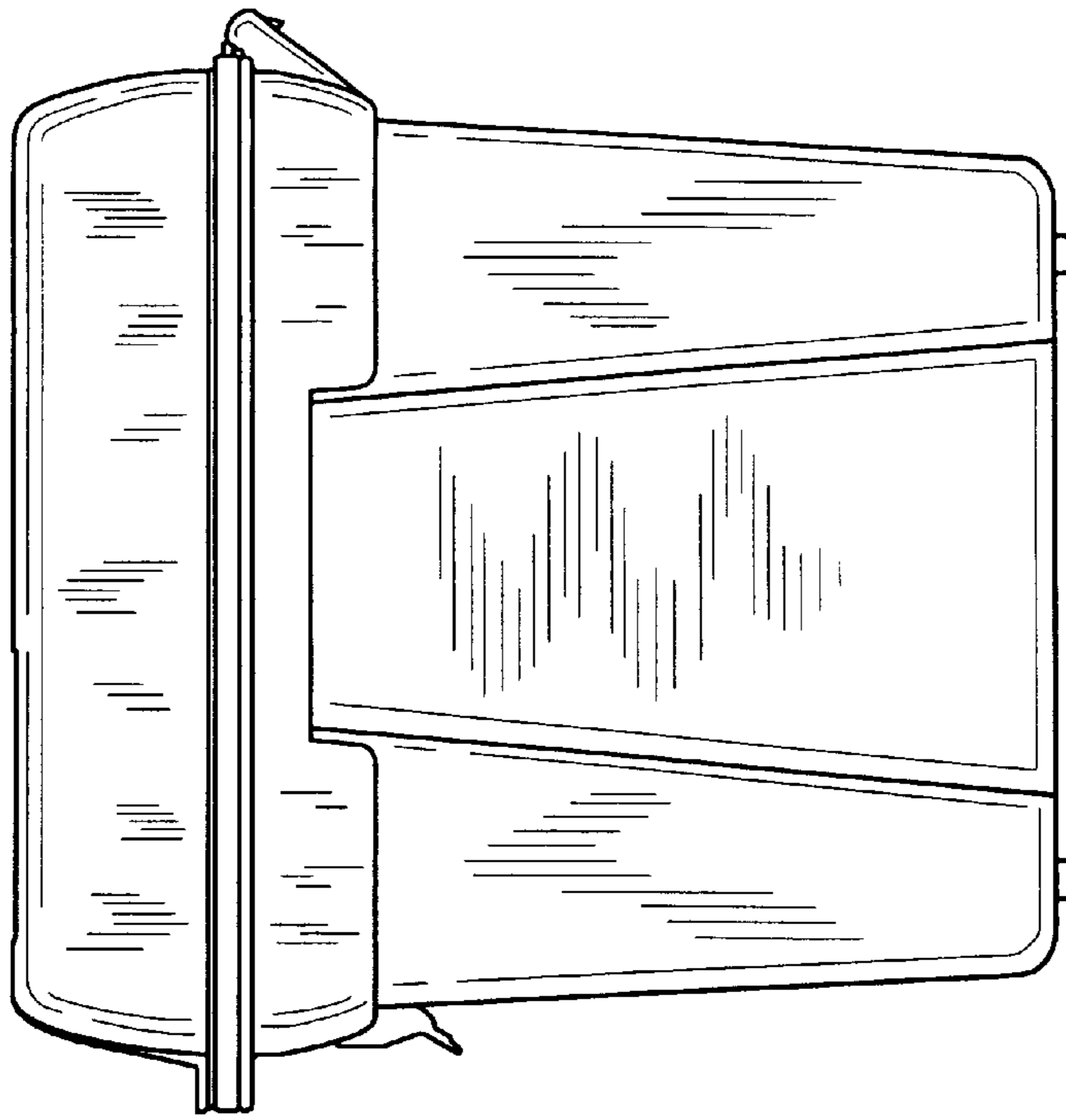
- D378,874 S \* 4/1997 Dickinson et al. .... D3/294
- D379,266 S \* 5/1997 Dickinson et al. .... D3/294
- D385,110 S \* 10/1997 Yemini ..... D3/294
- D389,309 S \* 1/1998 Shaw ..... D3/294
- D394,955 S \* 6/1998 Dickinson et al. .... D3/294
- D402,111 S \* 12/1998 Dickinson et al. .... D3/291
- D404,916 S \* 2/1999 Dickinson et al. .... D3/291
- D416,682 S \* 11/1999 Tanji ..... D3/294
- D417,956 S \* 12/1999 Story et al. .... D3/295
- D418,294 S \* 1/2000 Tanji ..... D3/294

**1 Claim, 8 Drawing Sheets**

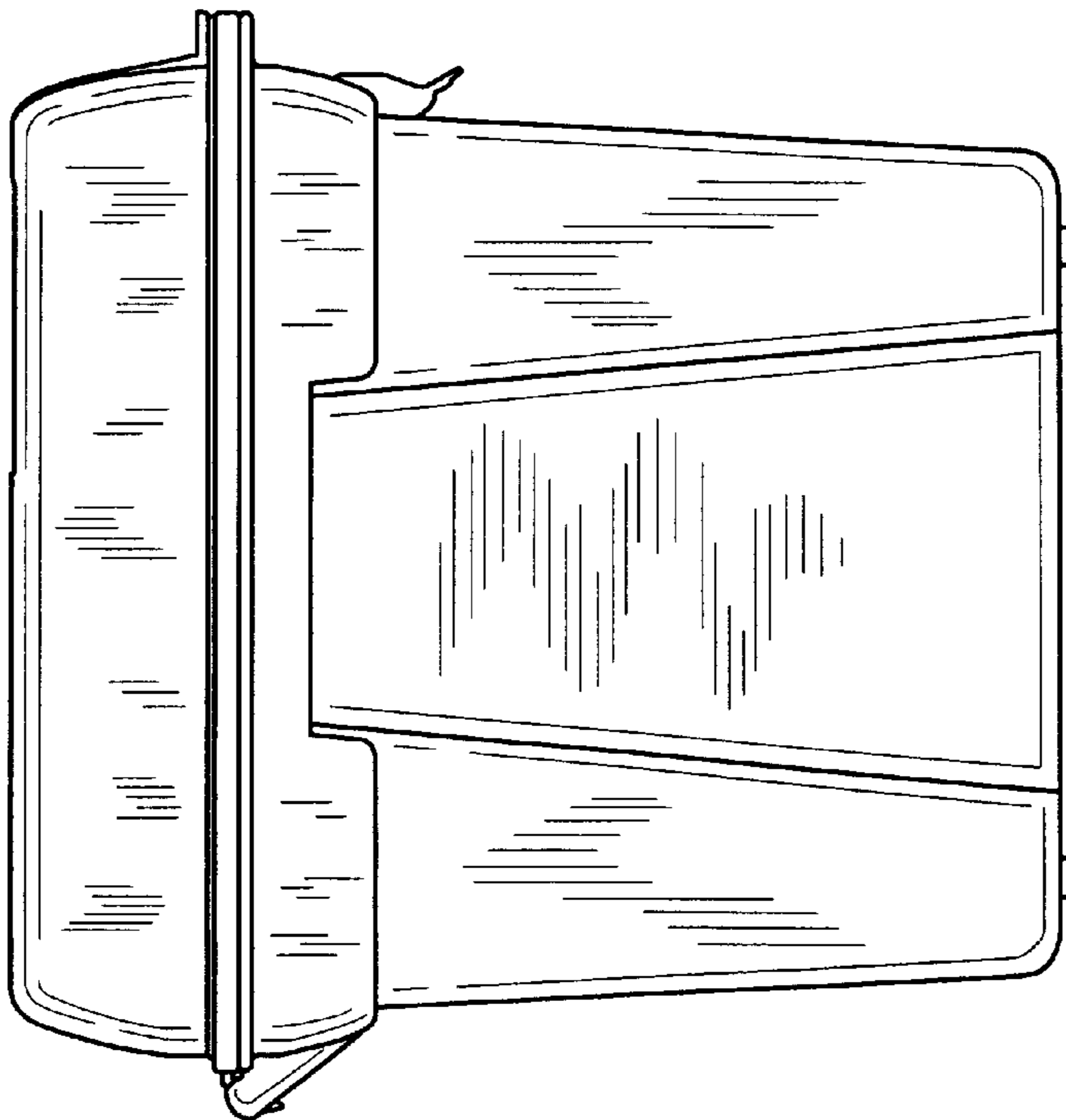




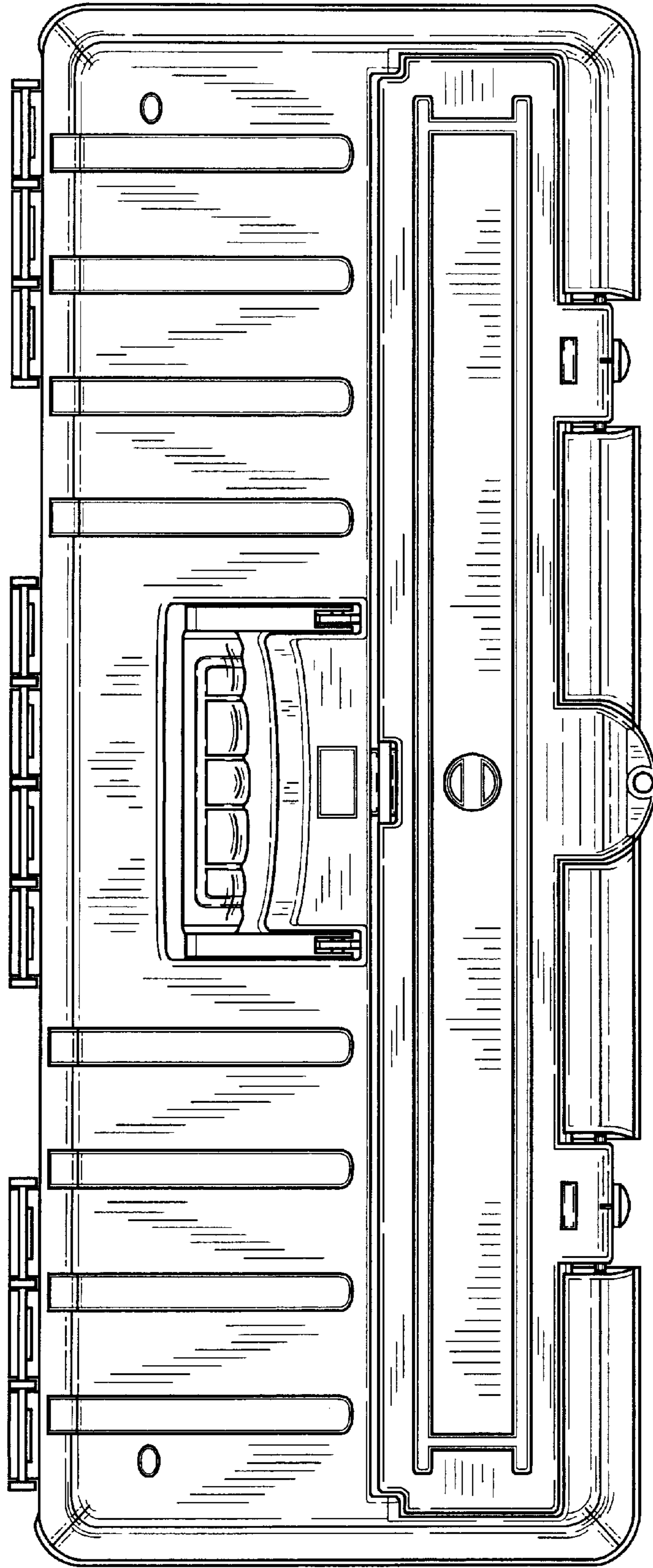
**FIG. 1**



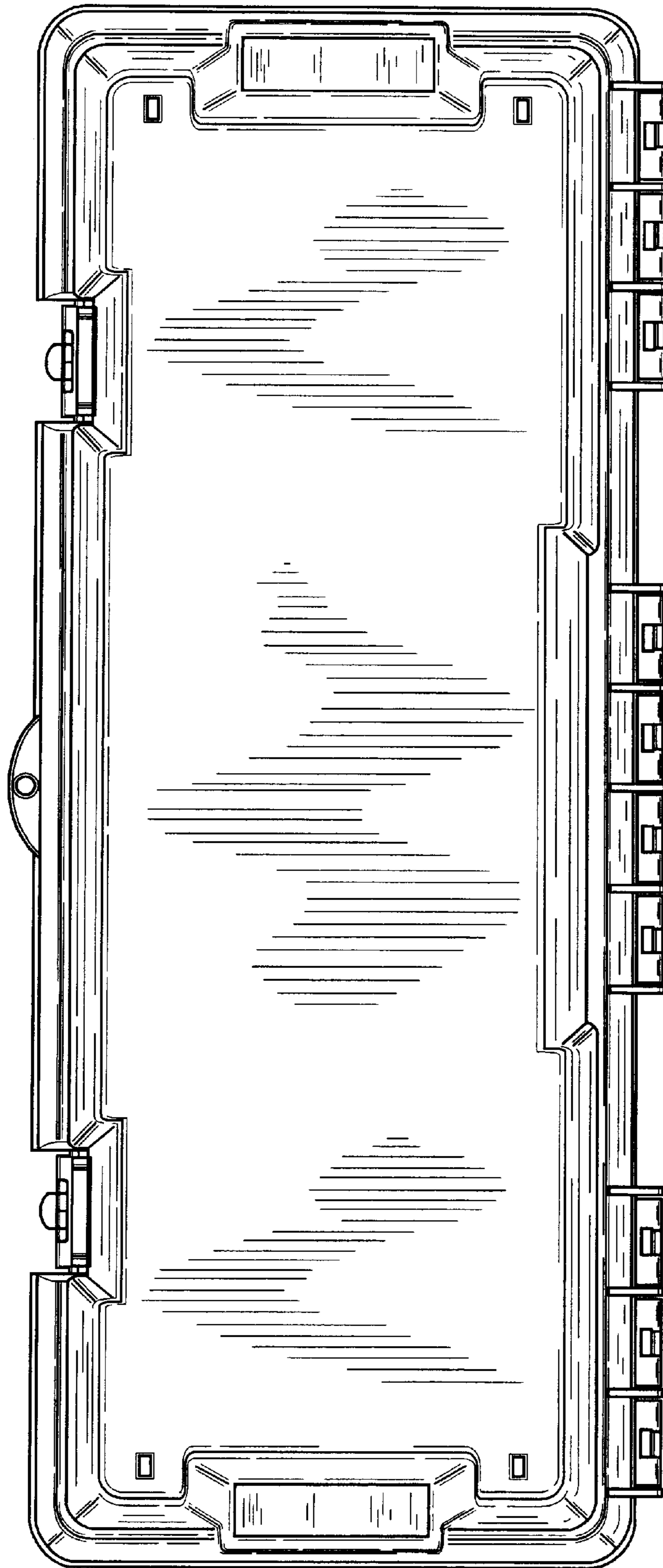
**FIG. 9**



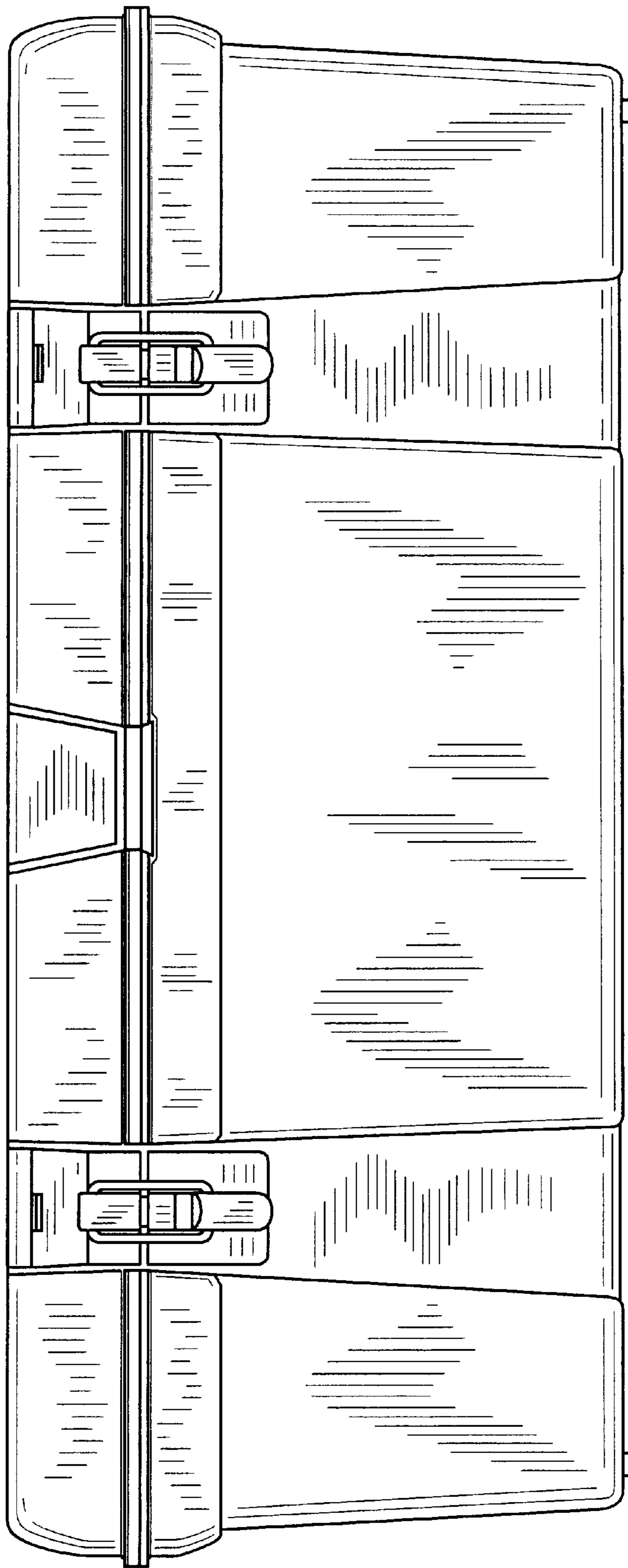
**FIG. 2**



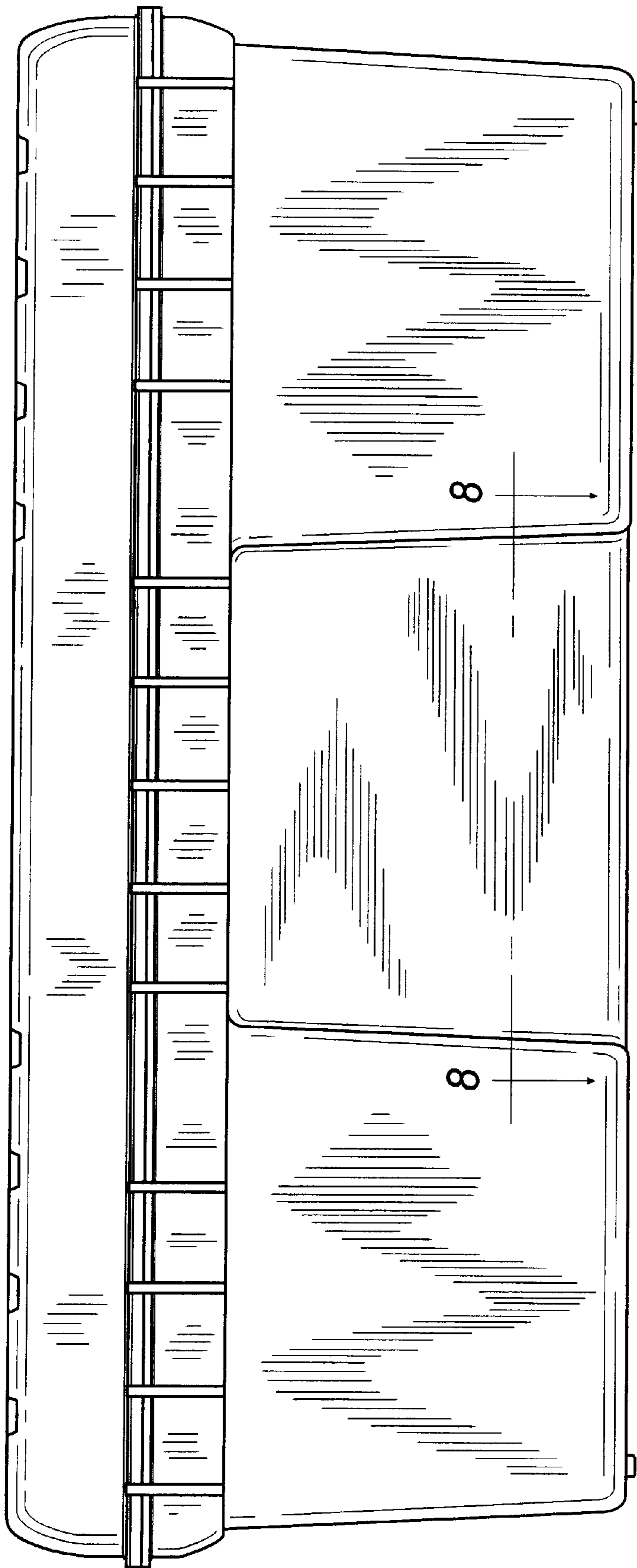
**FIG. 3**



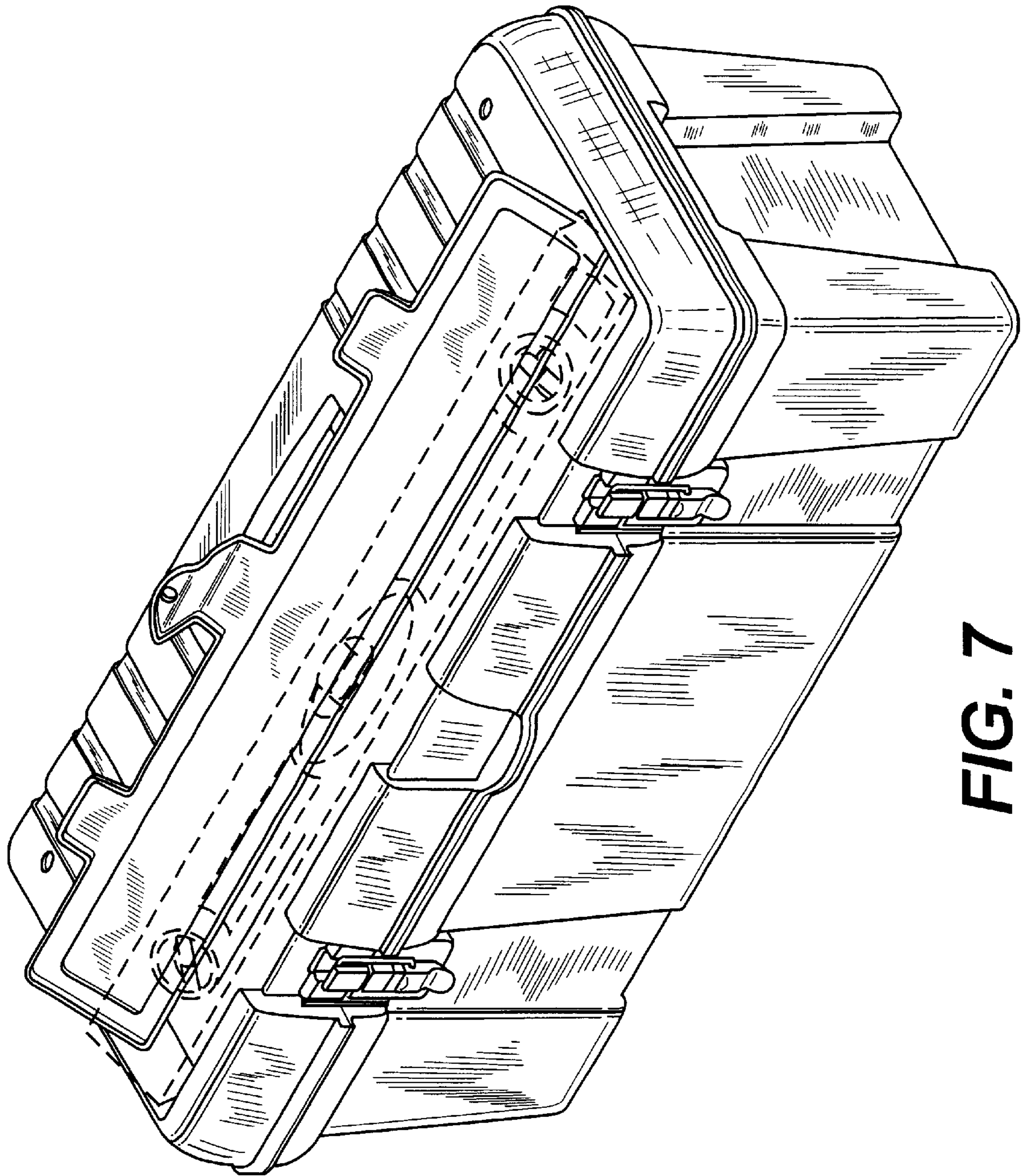
**FIG. 4**



**FIG. 5**

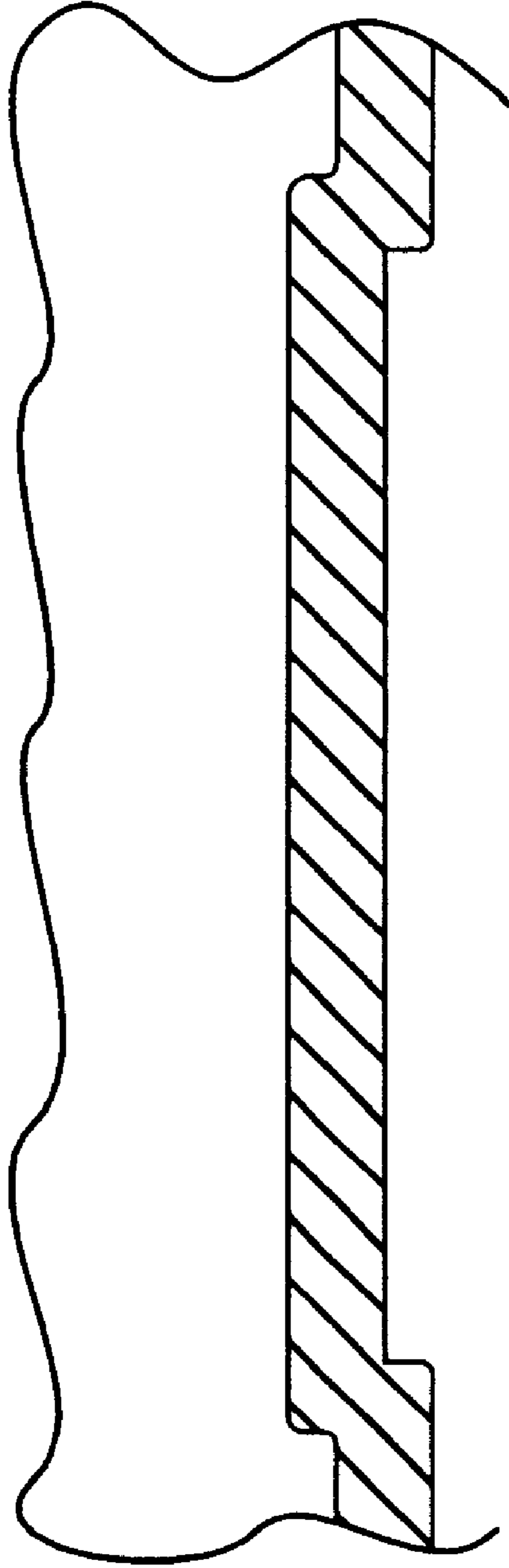


**FIG. 6**



**FIG. 7**





**FIG. 8**