



US00D453622S

(12) **United States Design Patent**  
**McClenahan et al.**

(10) **Patent No.:** **US D453,622 S**

(45) **Date of Patent:** **\*\* Feb. 19, 2002**

(54) **CARRYING CASE**

(75) Inventors: **David D. McClenahan**, Harleysville;  
**James B. Eldon, III**, Barto; **Scott Knorr**; **Frank Knorr**, both of  
Douglassville, all of PA (US)

(73) Assignee: **Detwiler Industries Incorporated**,  
Morgantown, PA (US)

(\*\*) Term: **14 Years**

(21) Appl. No.: **29/142,441**

(22) Filed: **May 25, 2001**

(51) **LOC (7) Cl.** ..... **03-01**

(52) **U.S. Cl.** ..... **D3/260**

(58) **Field of Search** ..... D3/260, 204, 262,  
D3/904, 905; 43/26, 54.1; D22/134, 147,  
199; 224/913, 922; 206/315.11

(56) **References Cited**

**U.S. PATENT DOCUMENTS**

2,650,449 A 9/1953 Suring ..... 43/26

5,425,194 A \* 6/1995 Miller ..... 43/26  
D410,333 S \* 6/1999 Coca ..... D3/260  
D442,367 S \* 5/2001 Terrell ..... D3/260

\* cited by examiner

*Primary Examiner*—Catherine R. Oliver

(74) *Attorney, Agent, or Firm*—Howson & Howson

(57) **CLAIM**

The ornamental design for a carrying case, as shown and described.

**DESCRIPTION**

FIG. 1 is a perspective view of a carrying case according to our new design;

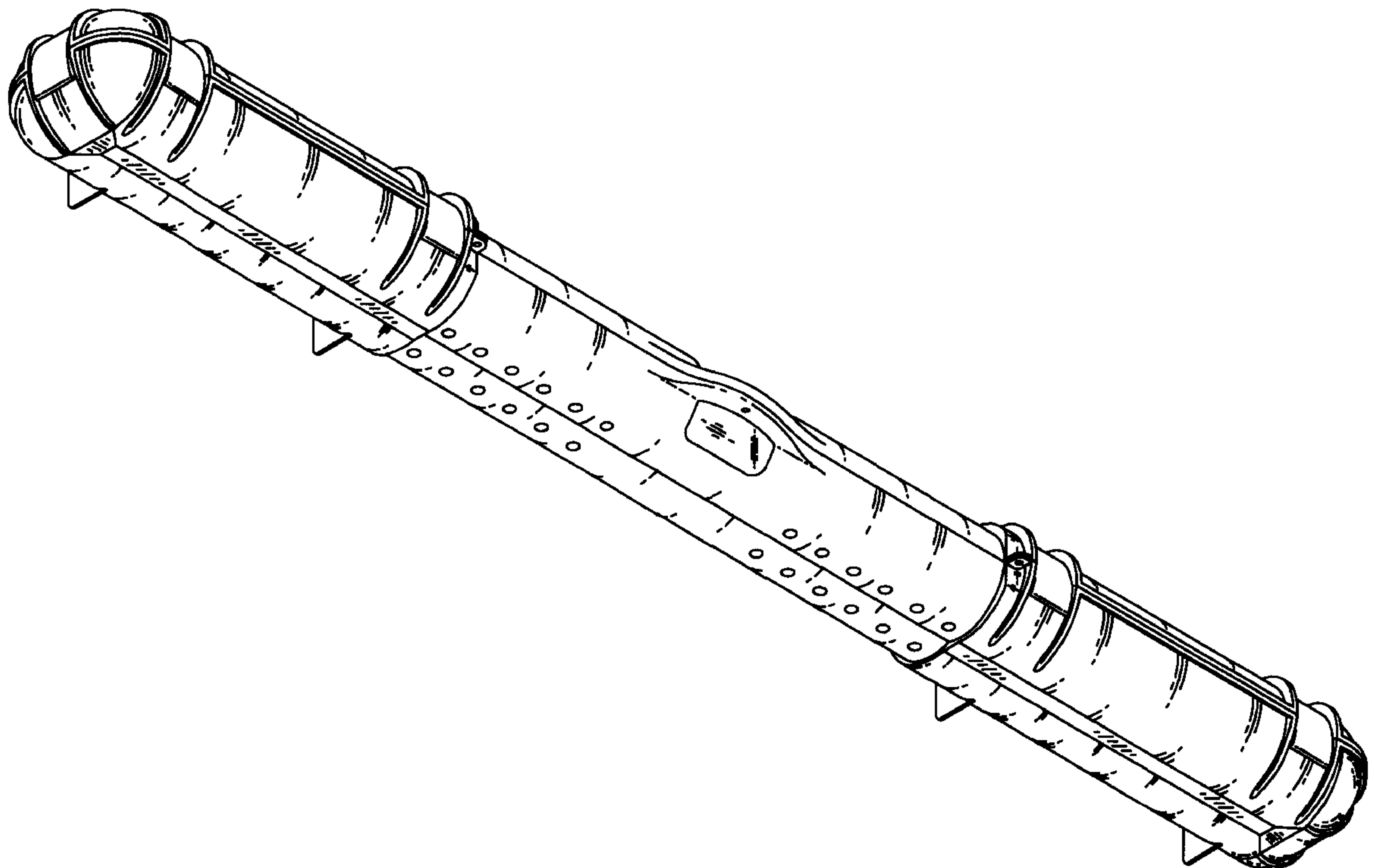
FIG. 2 is a left side elevational view thereof, the right side elevational view being a mirror image of the left side elevational view;

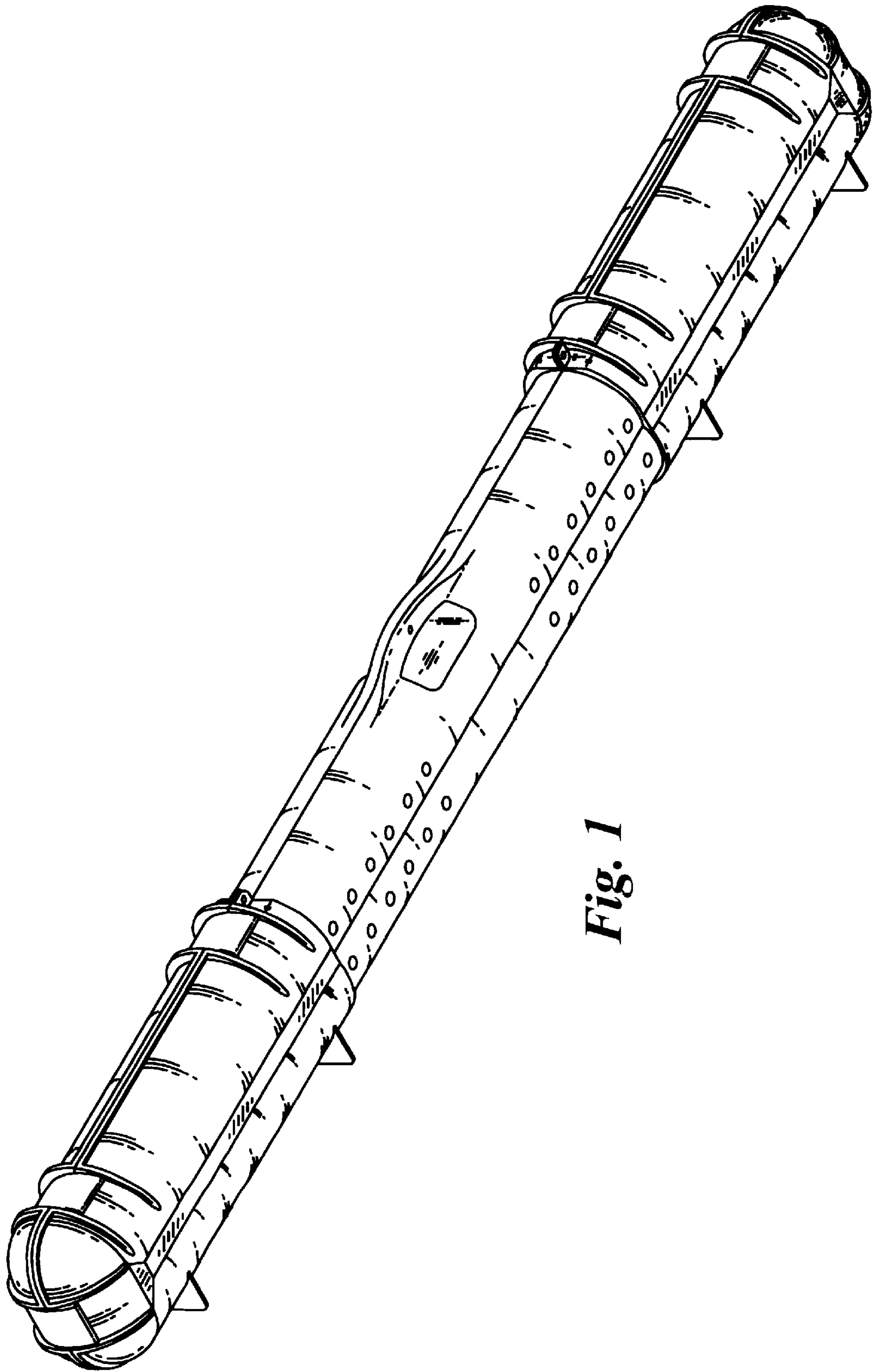
FIG. 3 is a left end elevational view thereof, the right end elevational view being a mirror image of the left end elevational view;

FIG. 4 is a top plan view thereof; and,

FIG. 5 is a bottom plan view thereof.

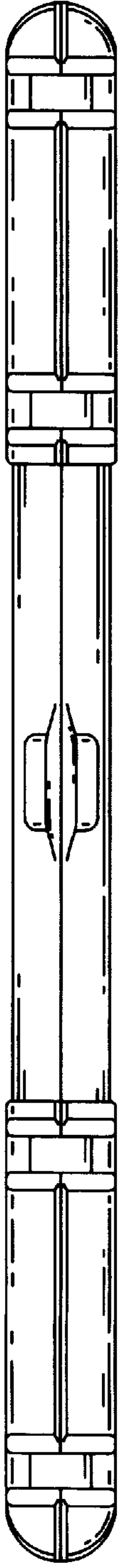
**1 Claim, 2 Drawing Sheets**



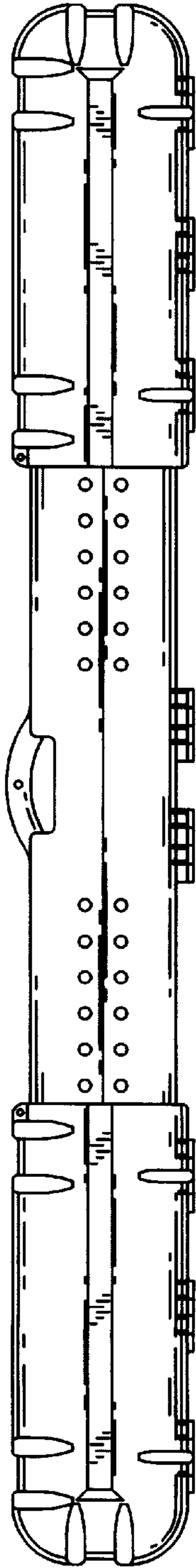


**Fig. 1**

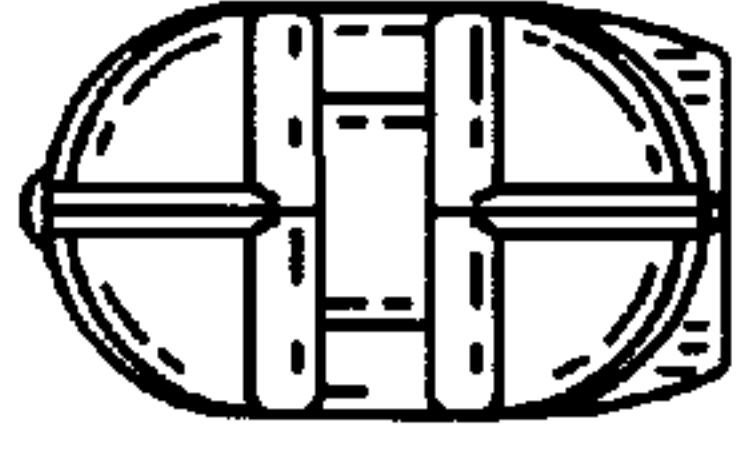
*Fig. 4*



*Fig. 2*



*Fig. 3*



*Fig. 5*

