



US00D453608S

(12) **United States Design Patent**
Park

(10) **Patent No.:** **US D453,608 S**

(45) **Date of Patent:** **** Feb. 19, 2002**

(54) **RING VISOR**

(75) Inventor: **Boo Yi Park**, Seoul (KR)

(73) Assignee: **Dada Corp.**, Seoul (KR)

(**) Term: **14 Years**

(21) Appl. No.: **29/142,769**

(22) Filed: **Jun. 4, 2001**

(51) **LOC (7) Cl.** **02-03**

(52) **U.S. Cl.** **D2/866; D2/882**

(58) **Field of Search** D2/865, 866, 882,
D2/879, 893, 891; 2/10, 171, 181, 195.1,
195.3, 209.13, 209.14

(56) **References Cited**

U.S. PATENT DOCUMENTS

1,163,054 A	*	12/1915	Williams	2/10
4,179,753 A	*	12/1979	Aronberg et al.	2/10
4,549,316 A		10/1985	Johnson		
D349,389 S		8/1994	Phillips		
D358,006 S		5/1995	Chisolm		

5,533,652 A		7/1996	Levin		
D377,108 S		1/1997	Schulz		
D384,489 S	*	10/1997	Ether	D2/884
5,778,454 A		7/1998	Oxman		
5,860,167 A	*	1/1999	Lizio	2/209.13
6,138,279 A		10/2000	Gore		
6,185,748 B1	*	2/2001	De Chambeau	2/195.1

* cited by examiner

Primary Examiner—Paula A. Mortimer

(57) **CLAIM**

The ornamental design for a ring visor, as shown.

DESCRIPTION

FIG. 1 is a perspective view of a cap with ring visor showing my new design;

FIG. 2 is a top plan view of FIG. 1;

FIG. 3 is a front elevational view of FIG. 1;

FIG. 4 is a right side elevational view of FIG. 1;

FIG. 5 is a left side elevational view of FIG. 1;

FIG. 6 is a rear elevational view of FIG. 1; and,

FIG. 7 is a bottom plan view of FIG. 1.

1 Claim, 4 Drawing Sheets

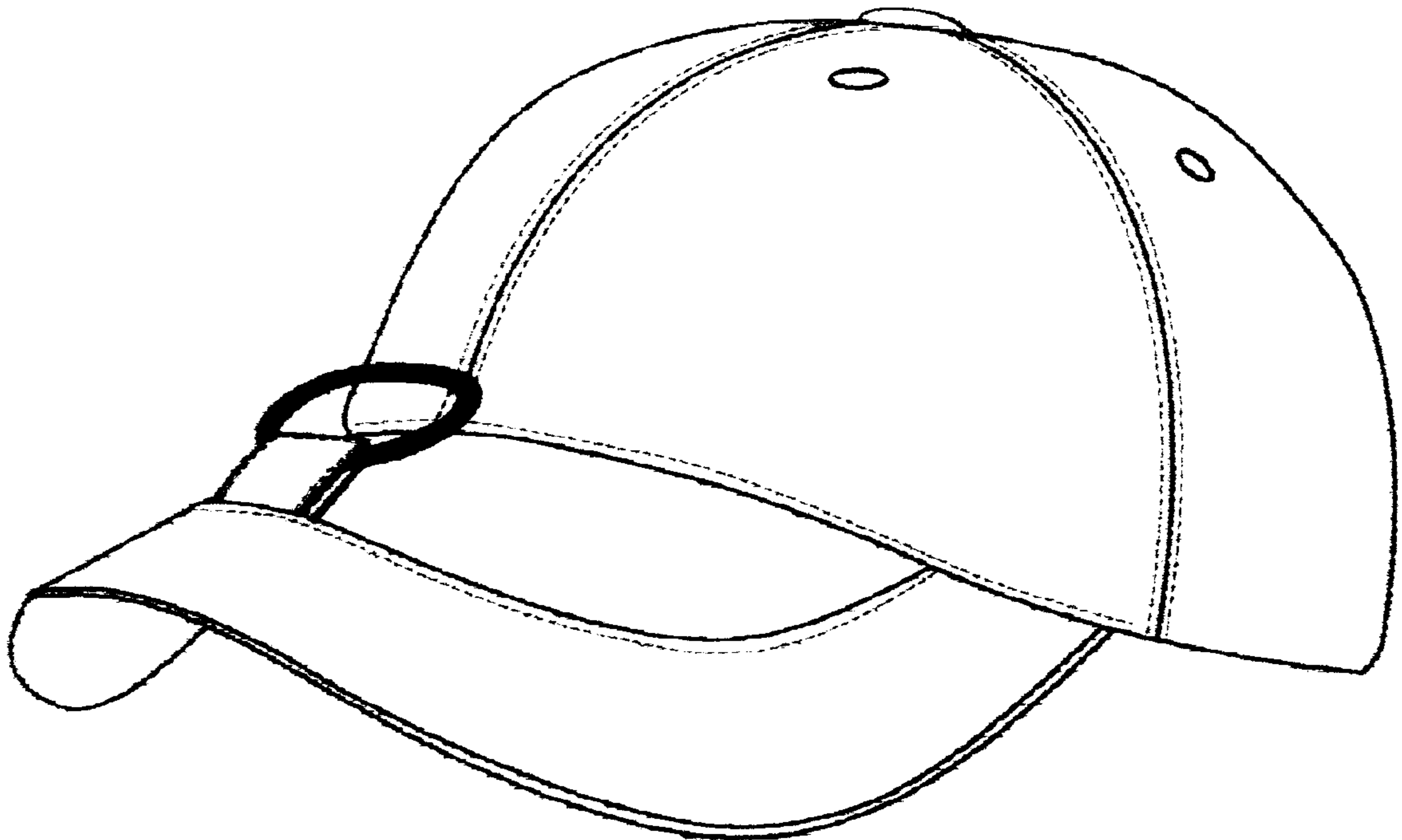


FIG.1

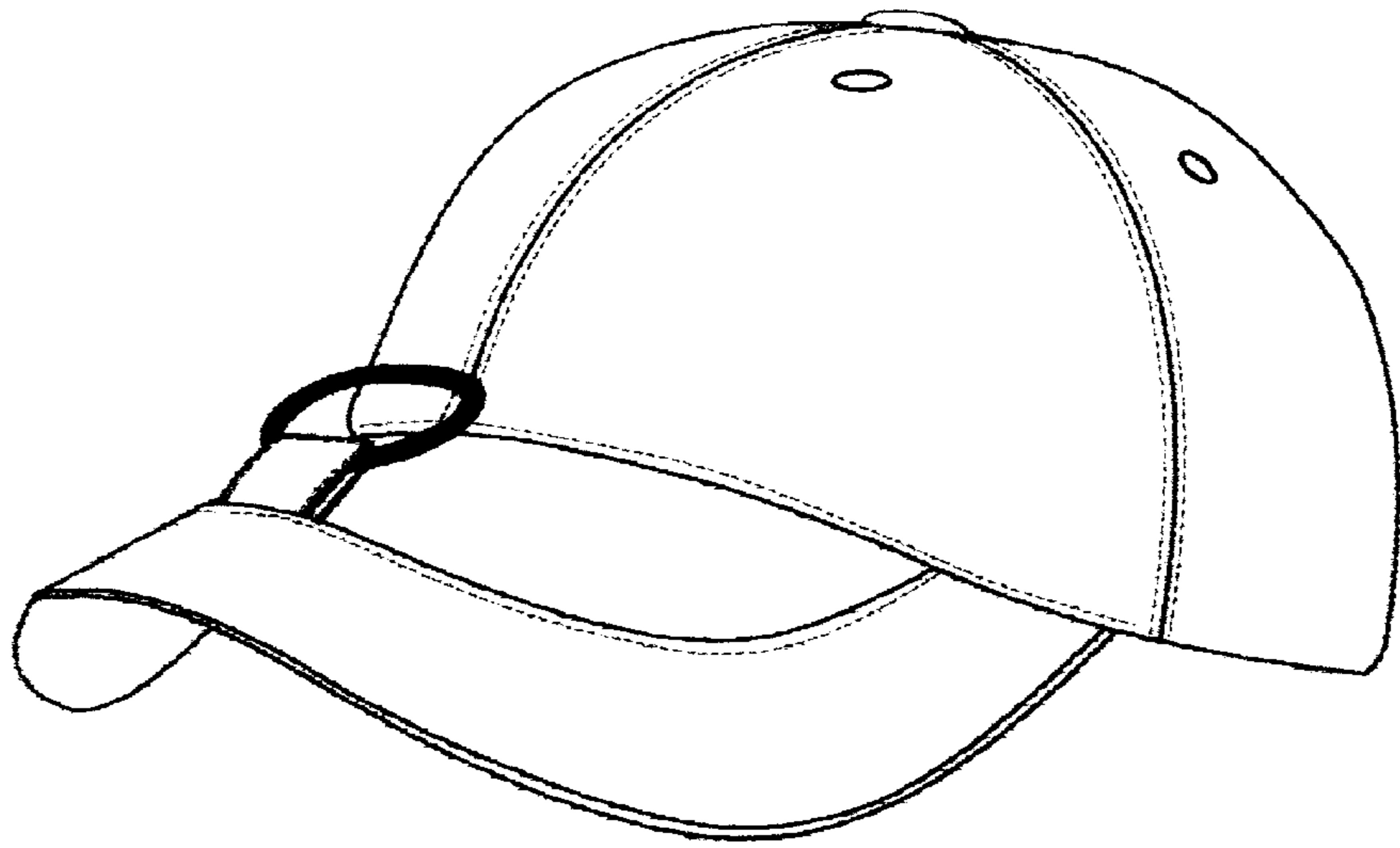


FIG.2

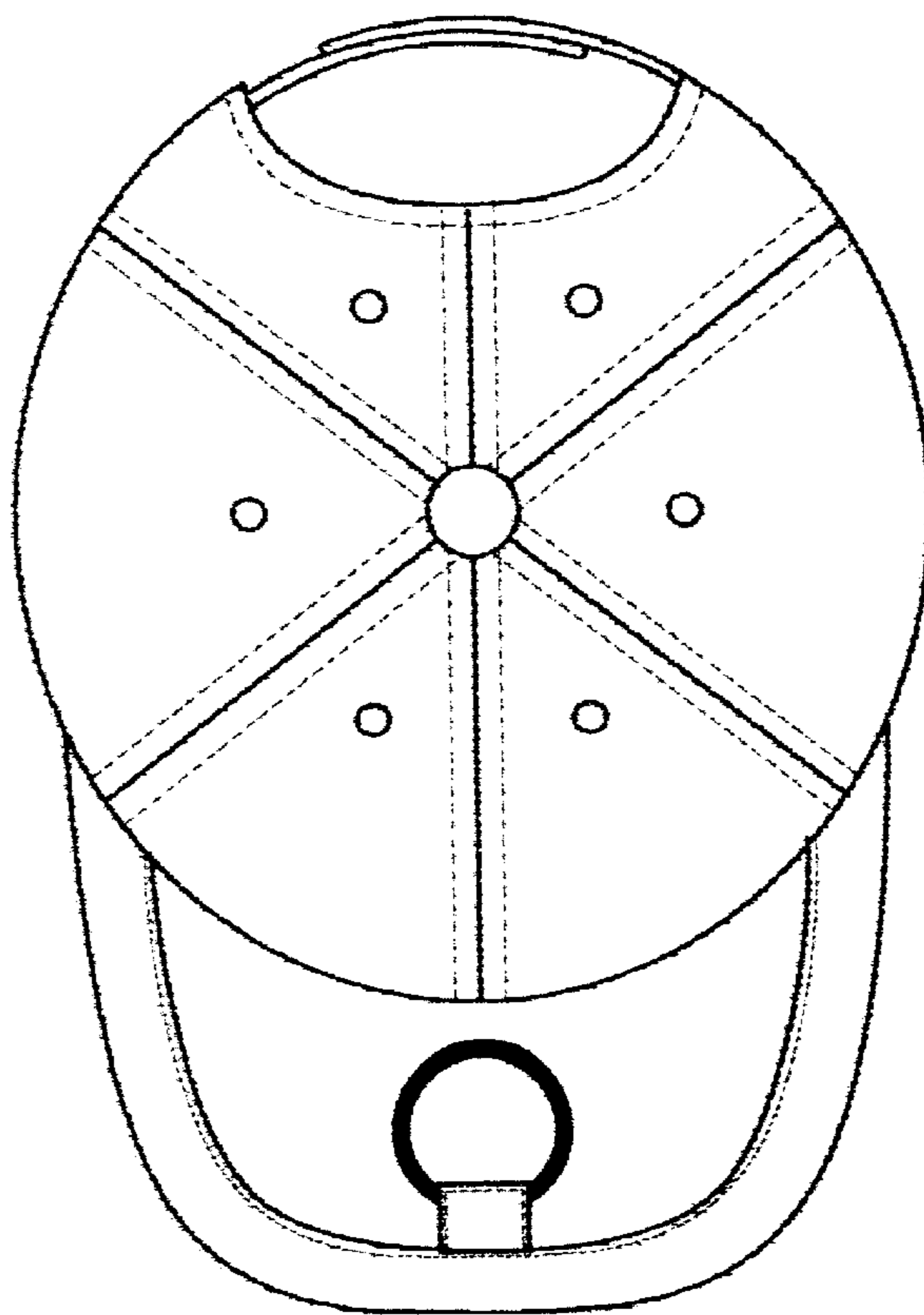


FIG.3

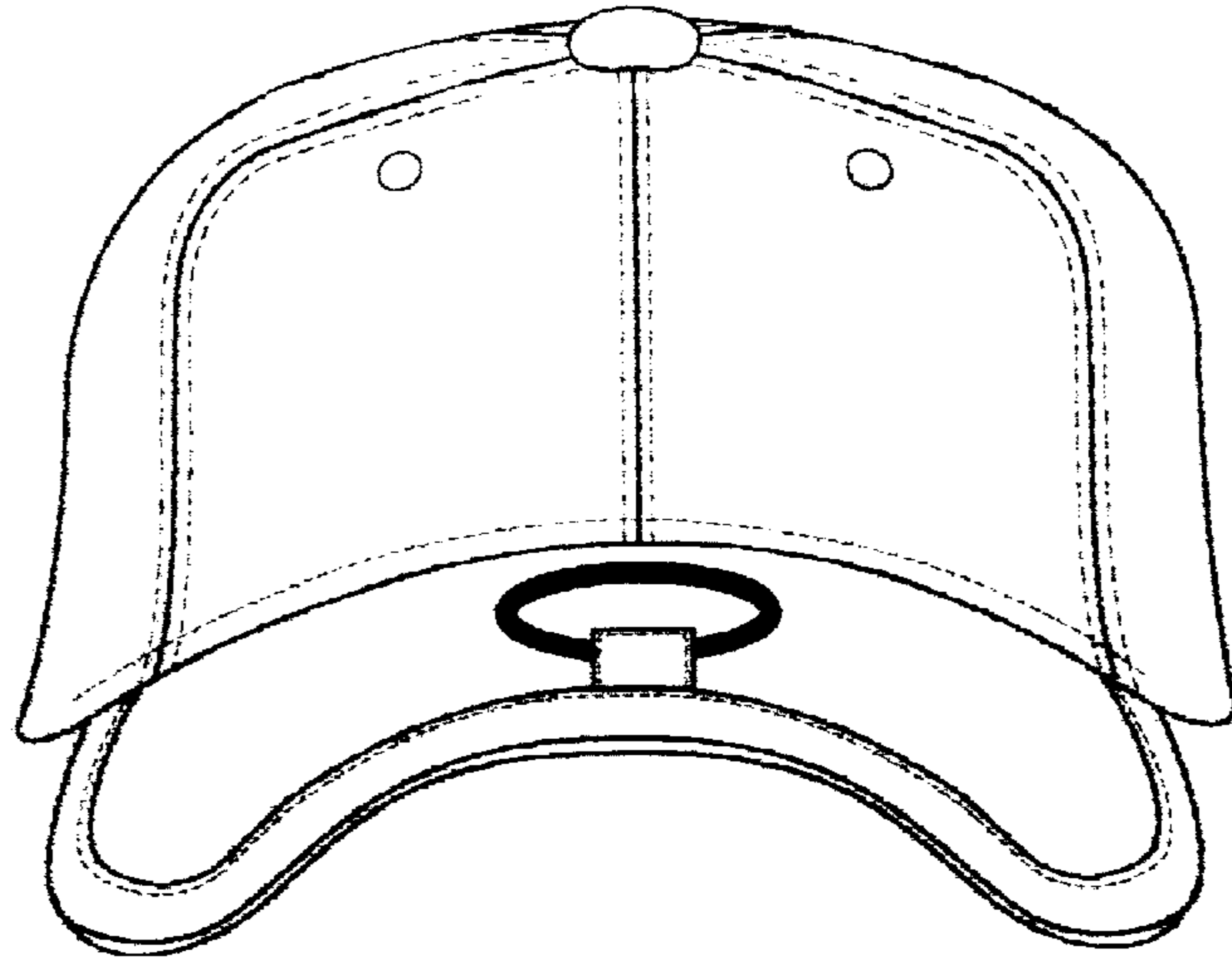


FIG.4

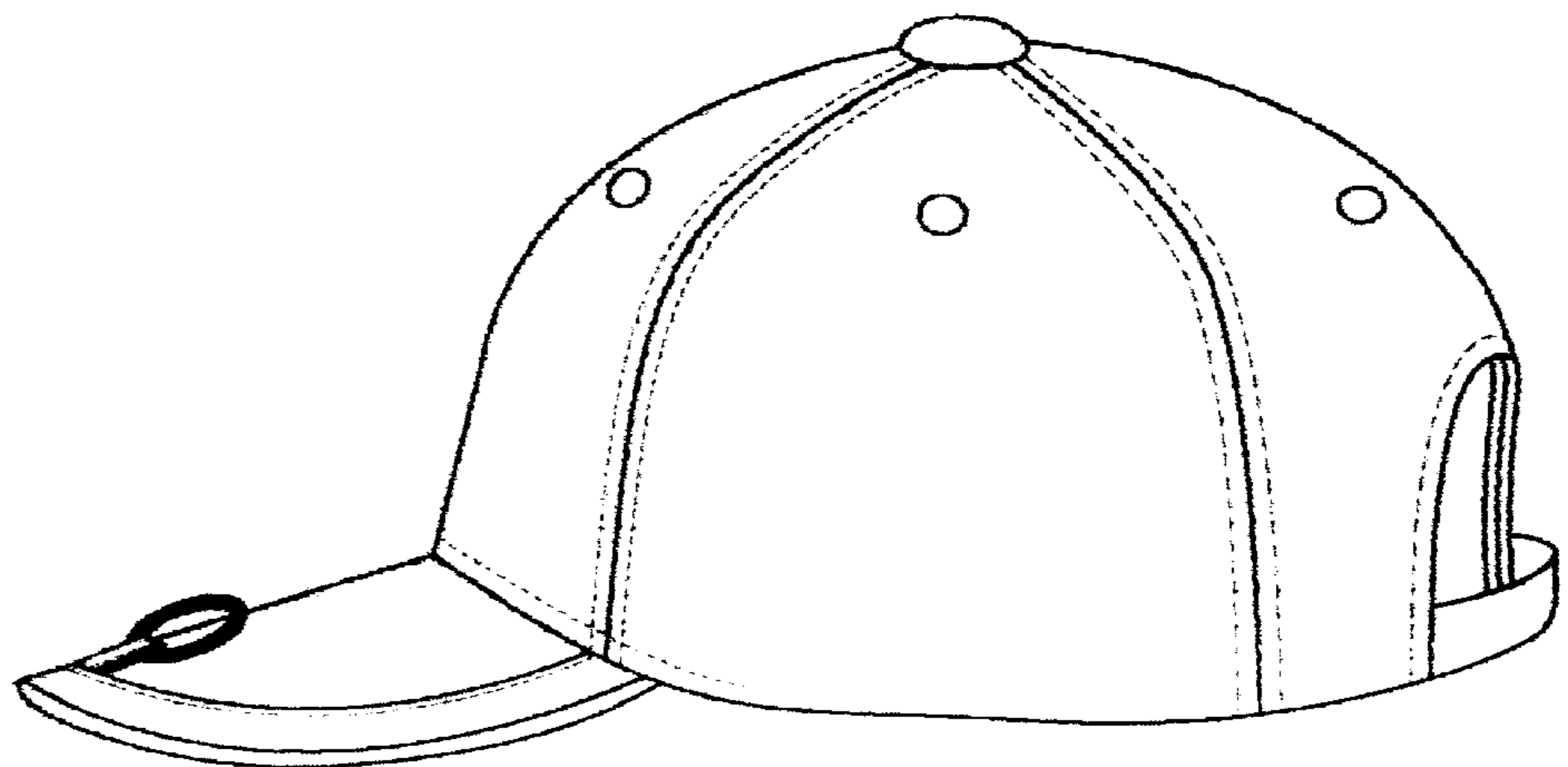


FIG.5

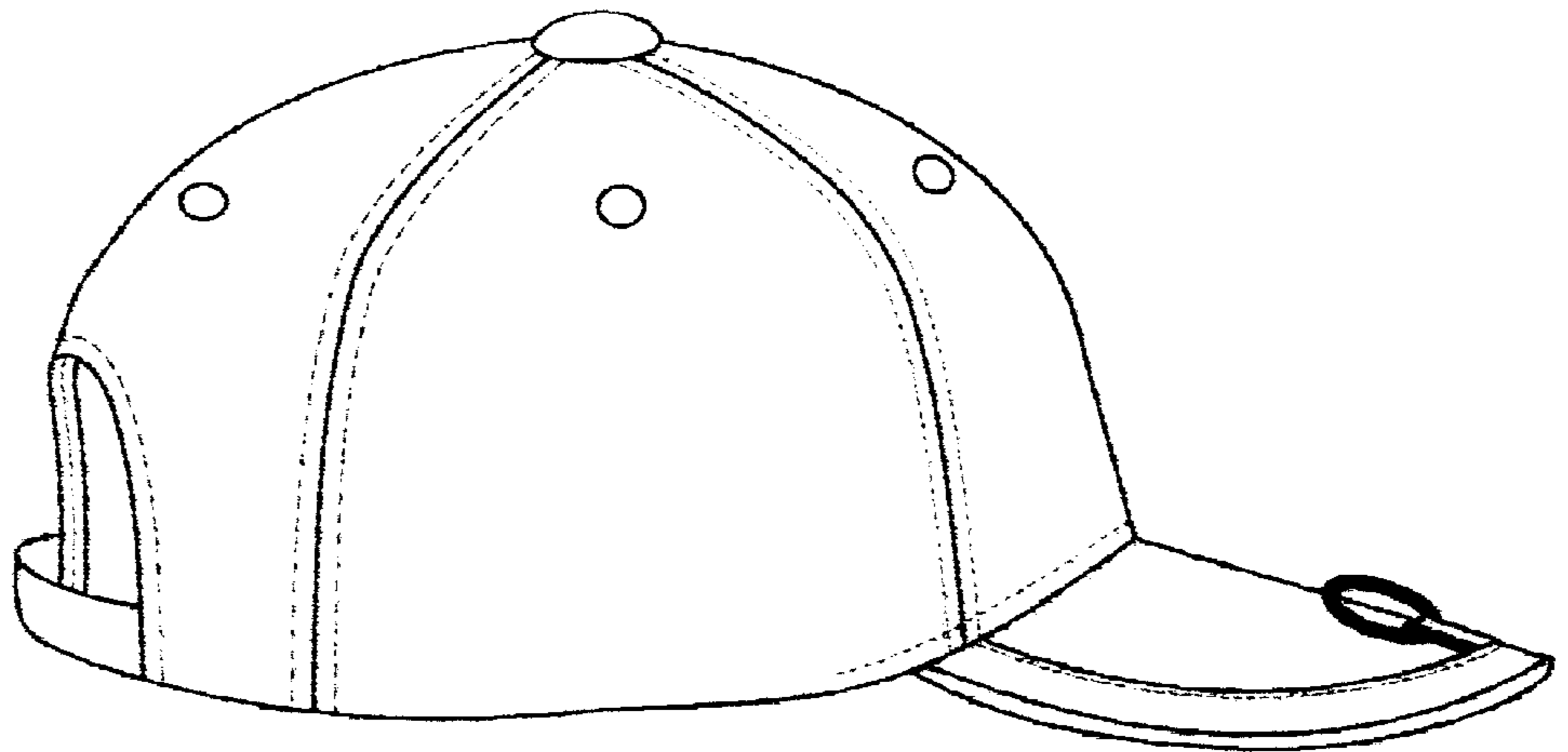


FIG.6

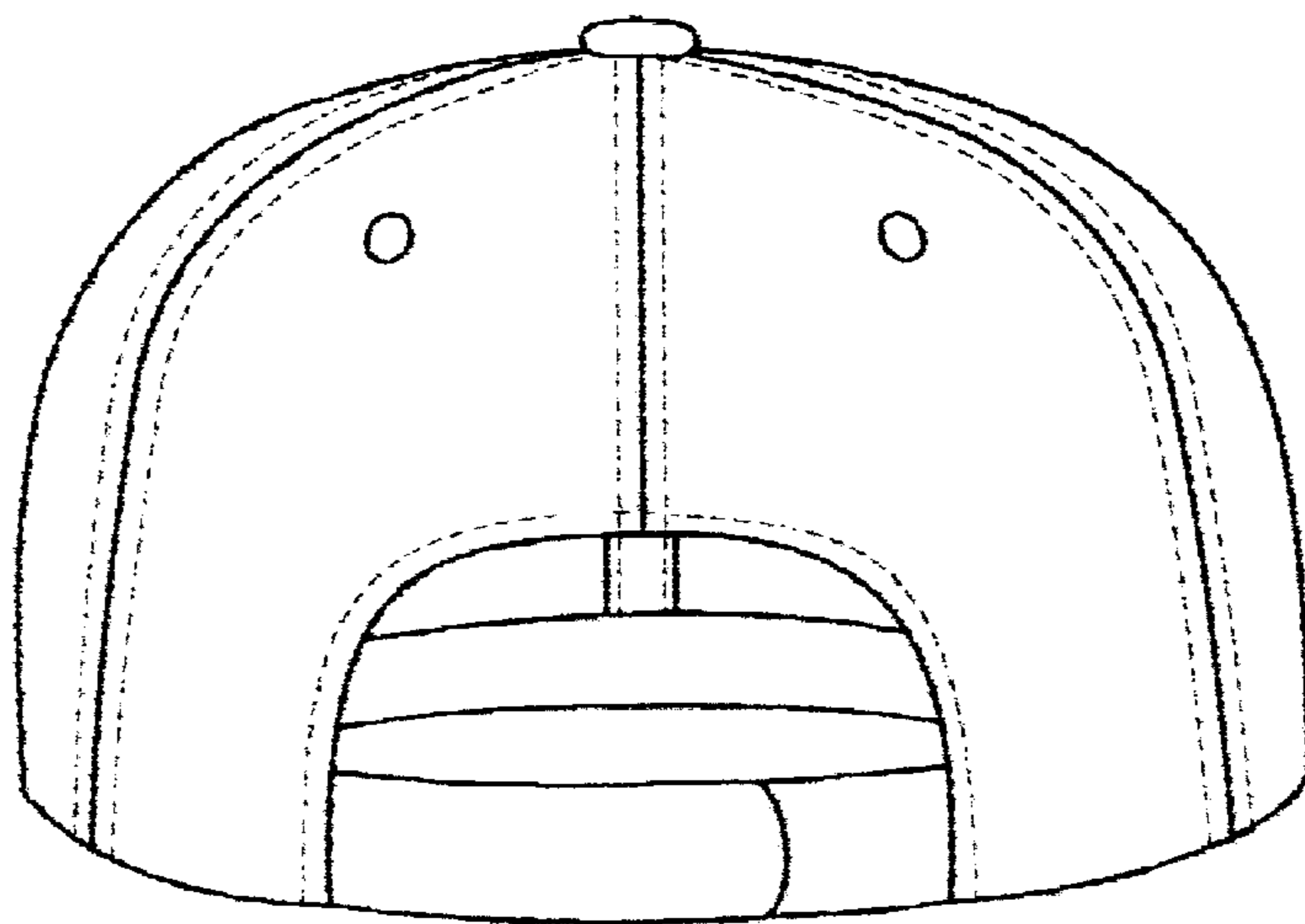


FIG.7

