



US00D453603S

(12) **United States Design Patent** (10) **Patent No.:** **US D453,603 S**
Bray et al. (45) **Date of Patent:** **** Feb. 12, 2002**

(54) **BULK DISPLAY UNIT**

(75) Inventors: **David Alan Bray**, Melksham; **Steven Trevor Blason**, East Hunsbury, both of (GB)

(73) Assignee: **Chep UK Limited** (GB)

(**) Term: **14 Years**

(21) Appl. No.: **29/110,851**

(22) Filed: **Sep. 15, 1999**

(30) **Foreign Application Priority Data**

Mar. 16, 1999 (GB) 2082021

(51) **LOC (7) Cl.** **09-08**

(52) **U.S. Cl.** **D34/38**

(58) **Field of Search** D34/38; 229/918; 206/599, 600; 220/668, 666, 667; 108/55.1, 56.1, 53.5; D3/305

(56) **References Cited**

U.S. PATENT DOCUMENTS

D250,459 S	*	12/1978	Fields	D34/38
D258,817 S	*	4/1981	Sundman	D34/38
D263,390 S	*	3/1982	Lasscock	D34/38
D277,042 S	*	1/1985	Carter et al.	D34/38
D345,847 S	*	4/1994	Schuchard	D34/38
D370,344 S	*	6/1996	Kim	D3/305
D381,513 S	*	7/1997	Brauner	D3/305
D402,037 S	*	12/1998	Hofstad	D34/38
D415,869 S	*	10/1999	Roodvoets et al.	D34/38
D423,179 S	*	4/2000	Horner et al.	D34/38
6,044,998 A	*	4/2000	Scheerer et al.	206/600
D426,693 S	*	6/2000	Thompson	D34/38
6,135,287 A	*	10/2000	Hartwell	206/600
D434,200 S	*	11/2000	Bowman et al.	D34/38
6,145,682 A	*	11/2000	Speck et al.	206/600

* cited by examiner

Primary Examiner—Cynthia E. Ramirez

(74) *Attorney, Agent, or Firm*—MacMillan, Sobanski & Todd, LLC

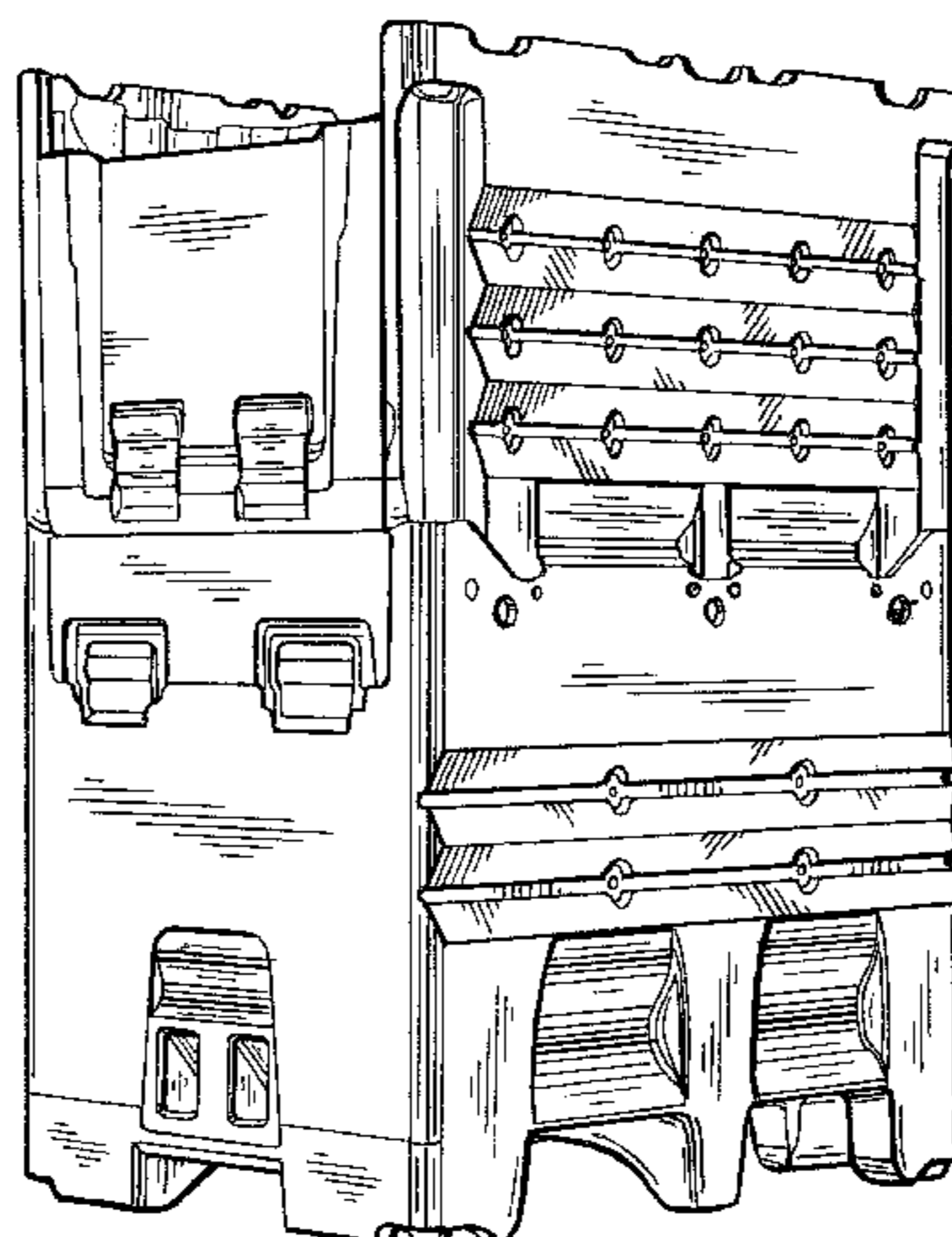
(57) **CLAIM**

The ornamental design for a bulk display unit, as shown and described.

DESCRIPTION

FIG. 1 is a perspective view as seen from the right front sides of a bulk display unit showing our new design;
 FIG. 2 is a perspective view as seen from the left front sides thereof;
 FIG. 3 is a perspective view as seen from the left rear sides thereof;
 FIG. 4 is a perspective view as seen from the upper right front sides thereof;
 FIG. 5 is a perspective view as seen from the lower left rear sides thereof;
 FIG. 6 is a front side elevational view thereof;
 FIG. 7 is a right side elevational view thereof, with the left side elevational view being a mirror image thereof;
 FIG. 8 is a rear side elevational view thereof;
 FIG. 9 is a top view thereof;
 FIG. 10 is a bottom view thereof;
 FIG. 11 is a perspective view as seen from the right front sides thereof and showing a center panel on the upper front portion folded down;
 FIG. 12 is a perspective view as seen from the left front sides thereof and showing the upper front portion folded down;
 FIG. 13 is a perspective view as seen from the upper right front sides thereof and showing the upper front portion folded inwardly;
 FIG. 14 is a perspective view as seen from the upper left rear sides thereof and showing the upper front portion folded inwardly and showing the upper rear portion partially folded inwardly;
 FIG. 15 is a perspective view as seen from the upper right front sides thereof and showing the upper front portion, the upper right side portion and the upper rear portion folded inwardly; and,
 FIG. 16 is a perspective view as seen from the upper right front sides thereof and showing the upper portions folded inwardly.

1 Claim, 16 Drawing Sheets



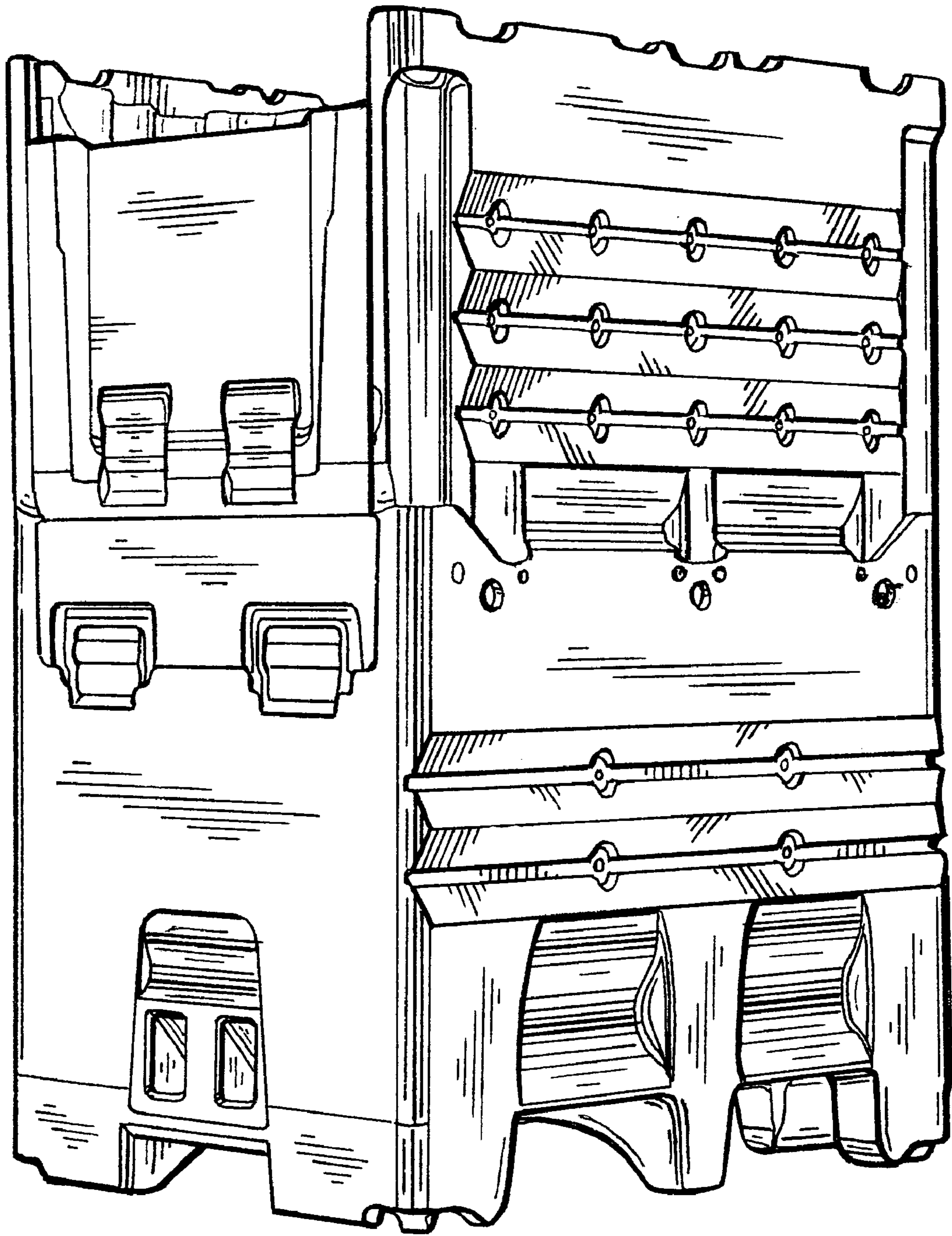


FIG. 1

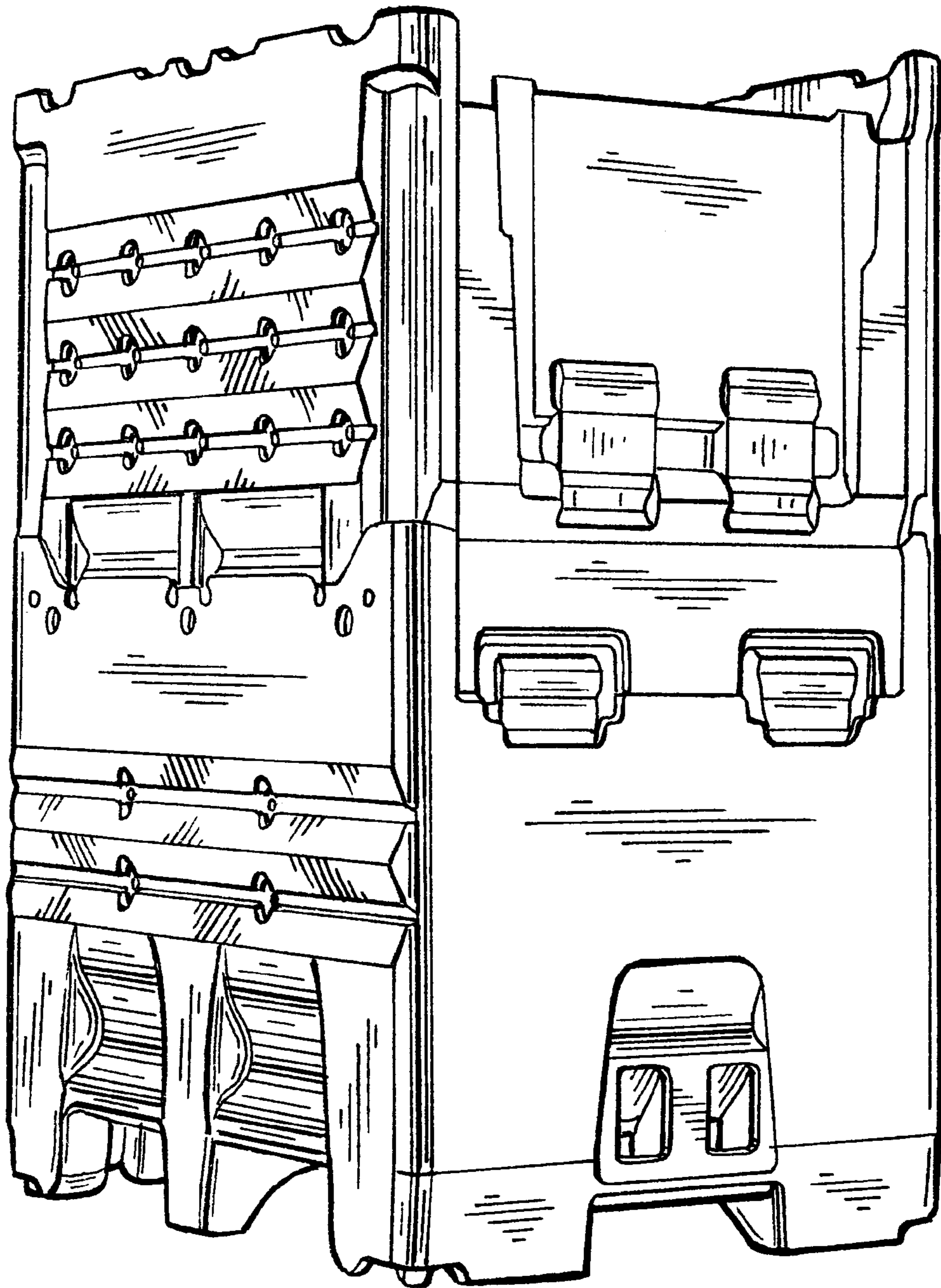


FIG. 2

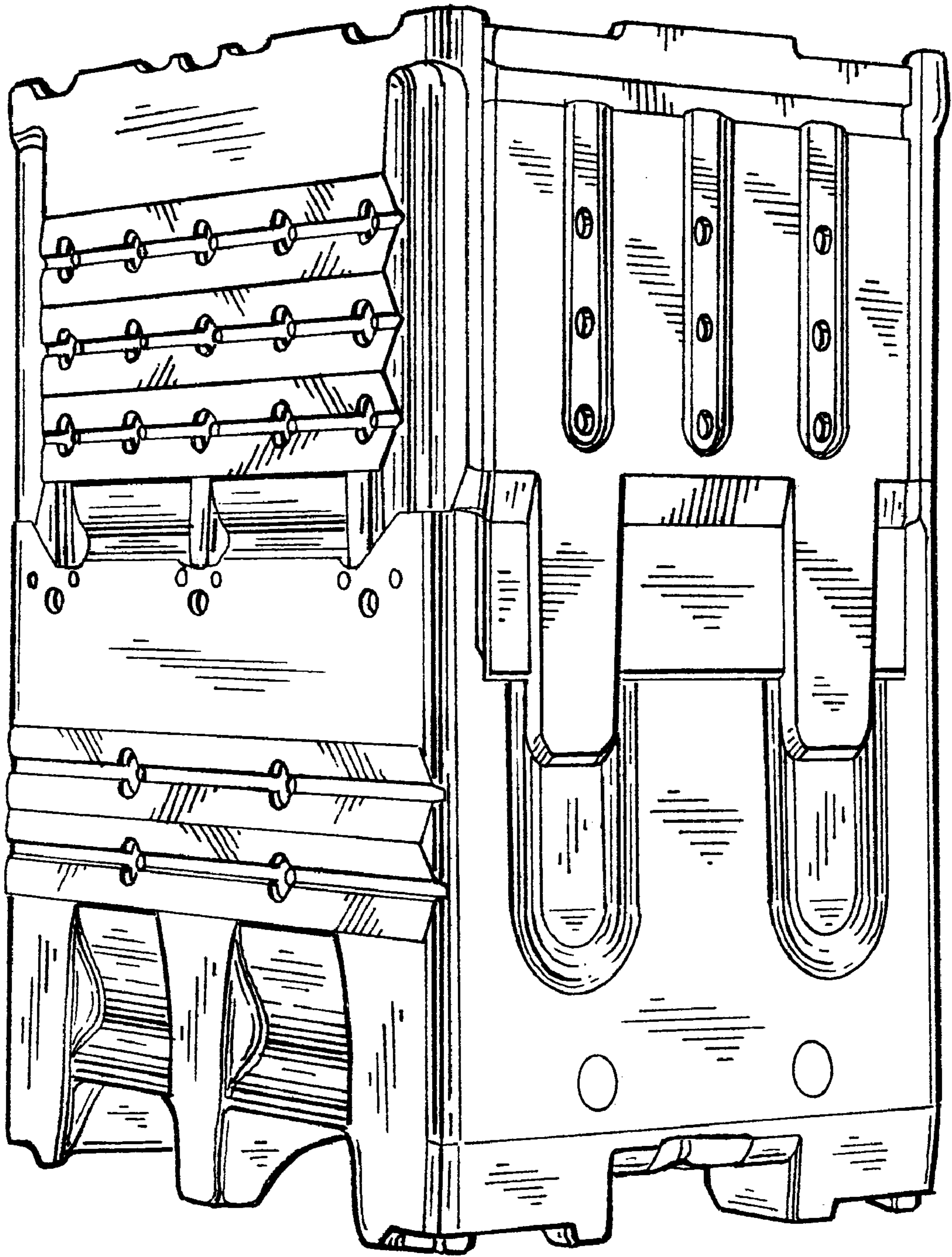


FIG. 3

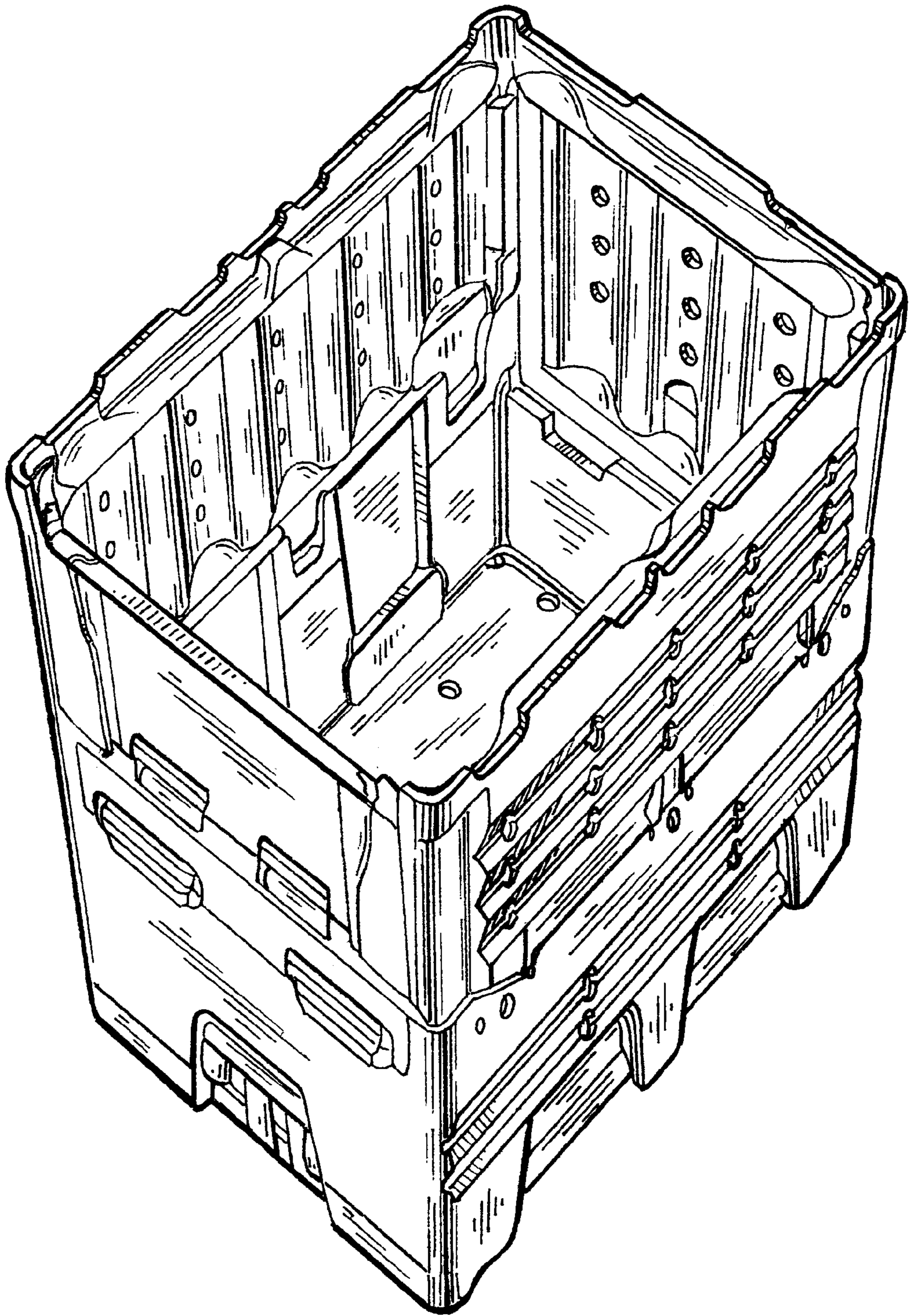


FIG. 4

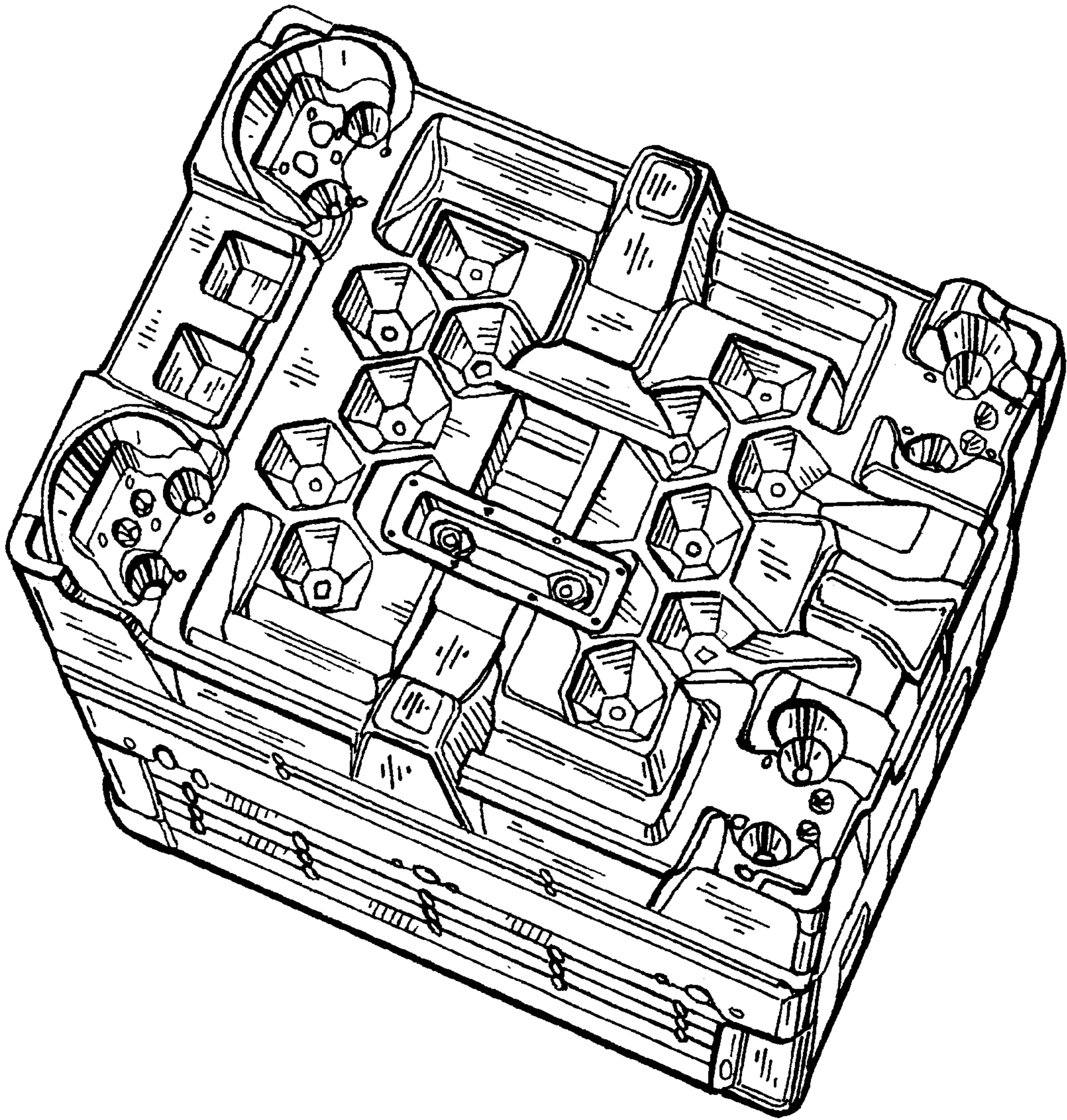


FIG. 5

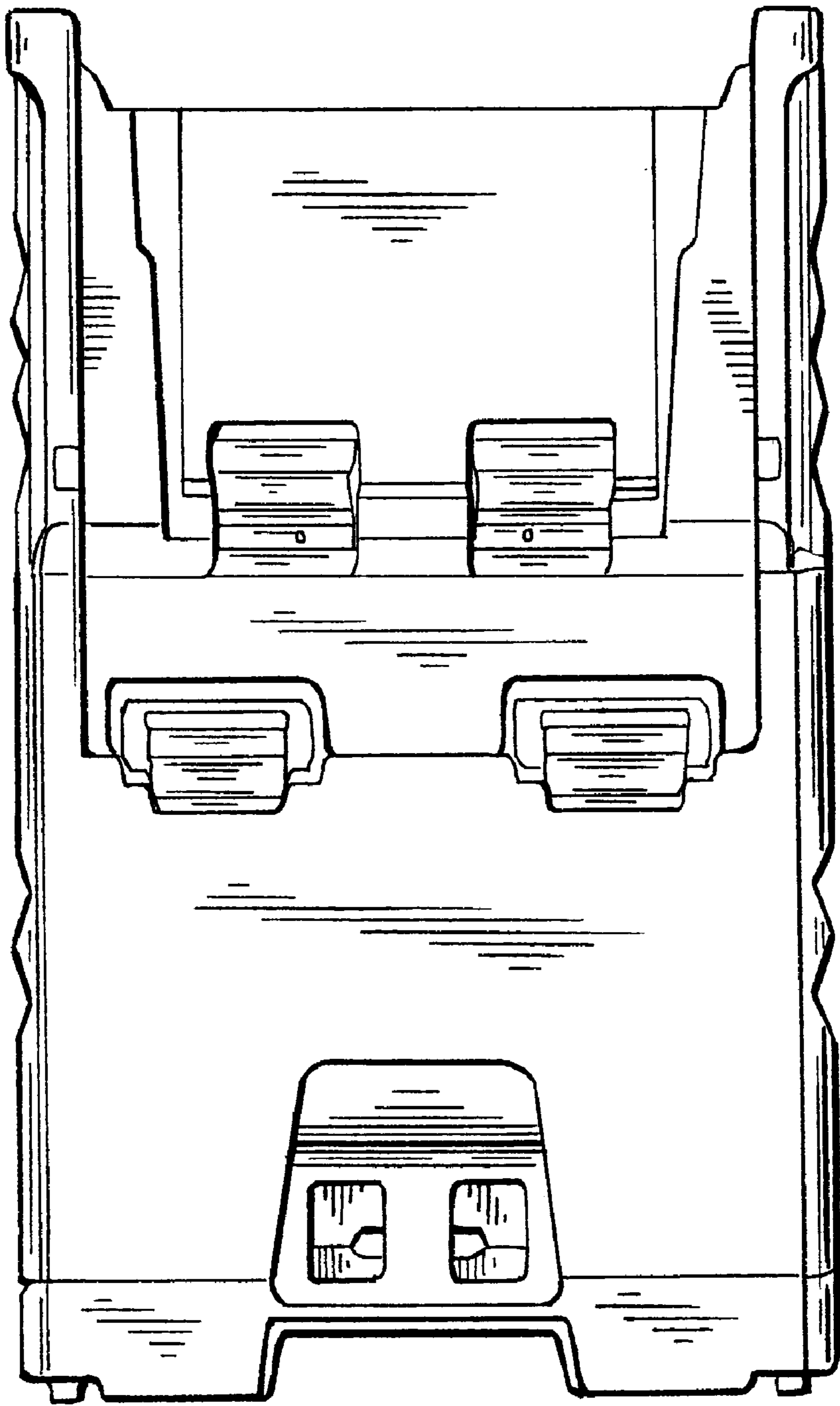


FIG. 6

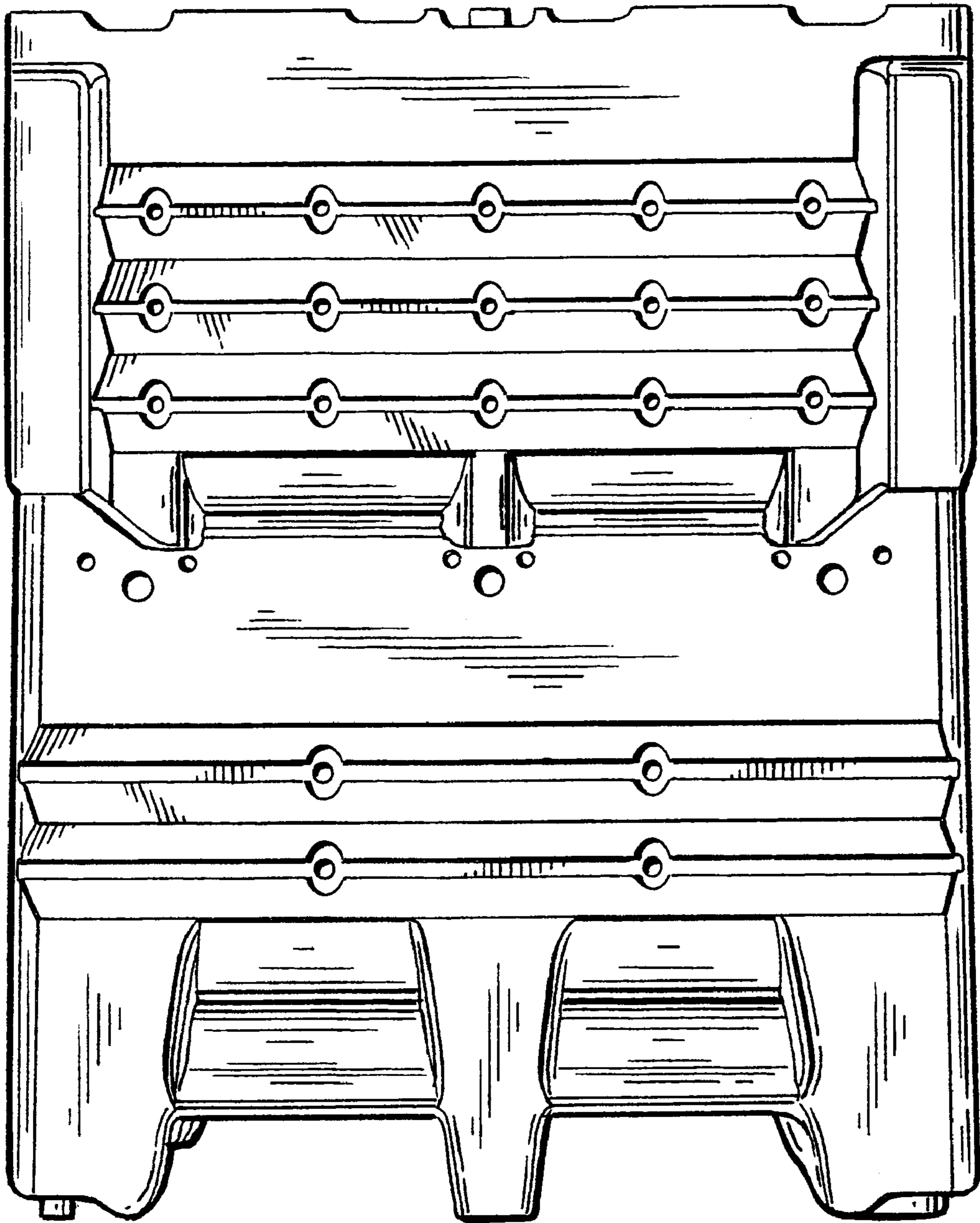


FIG. 7

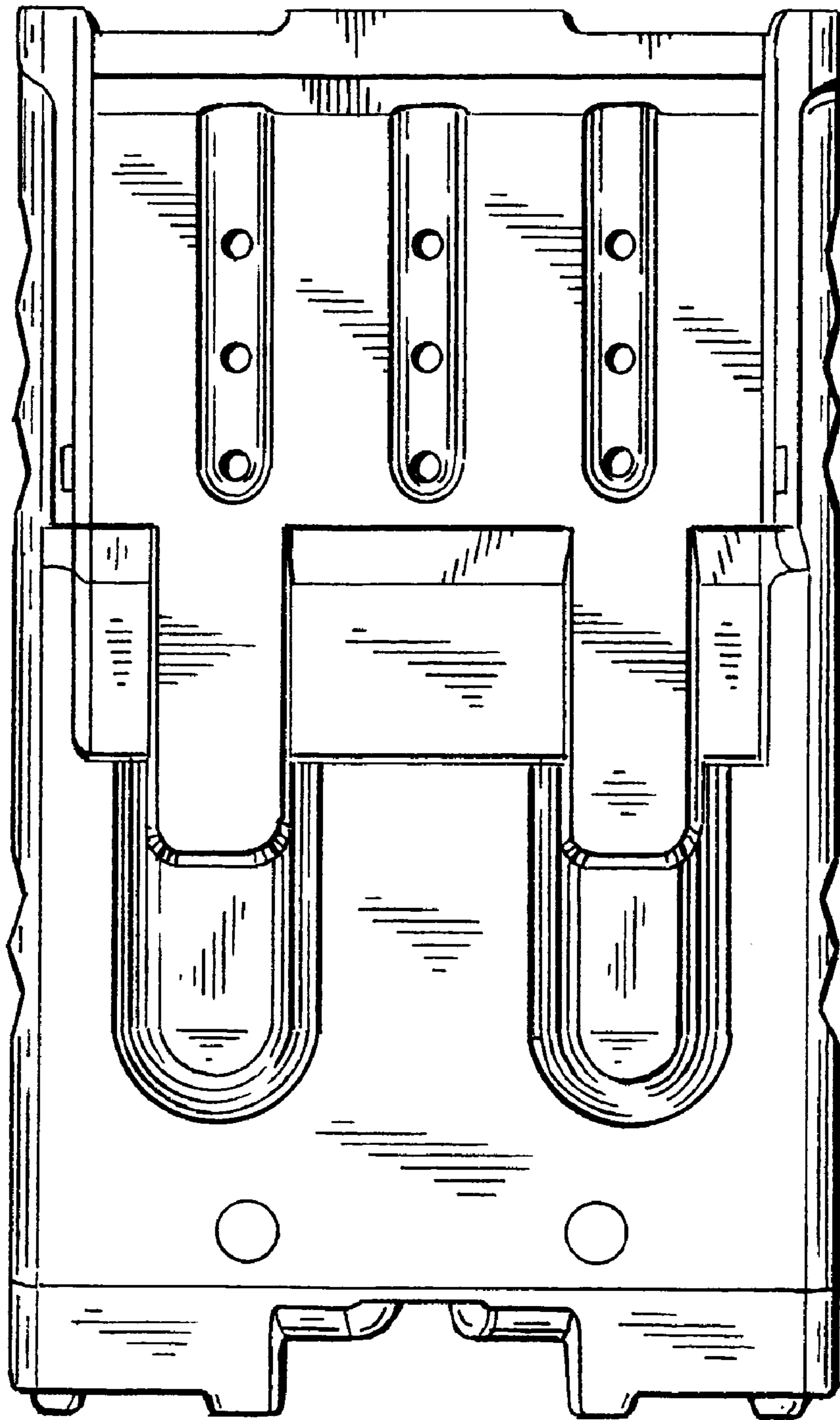


FIG. 8

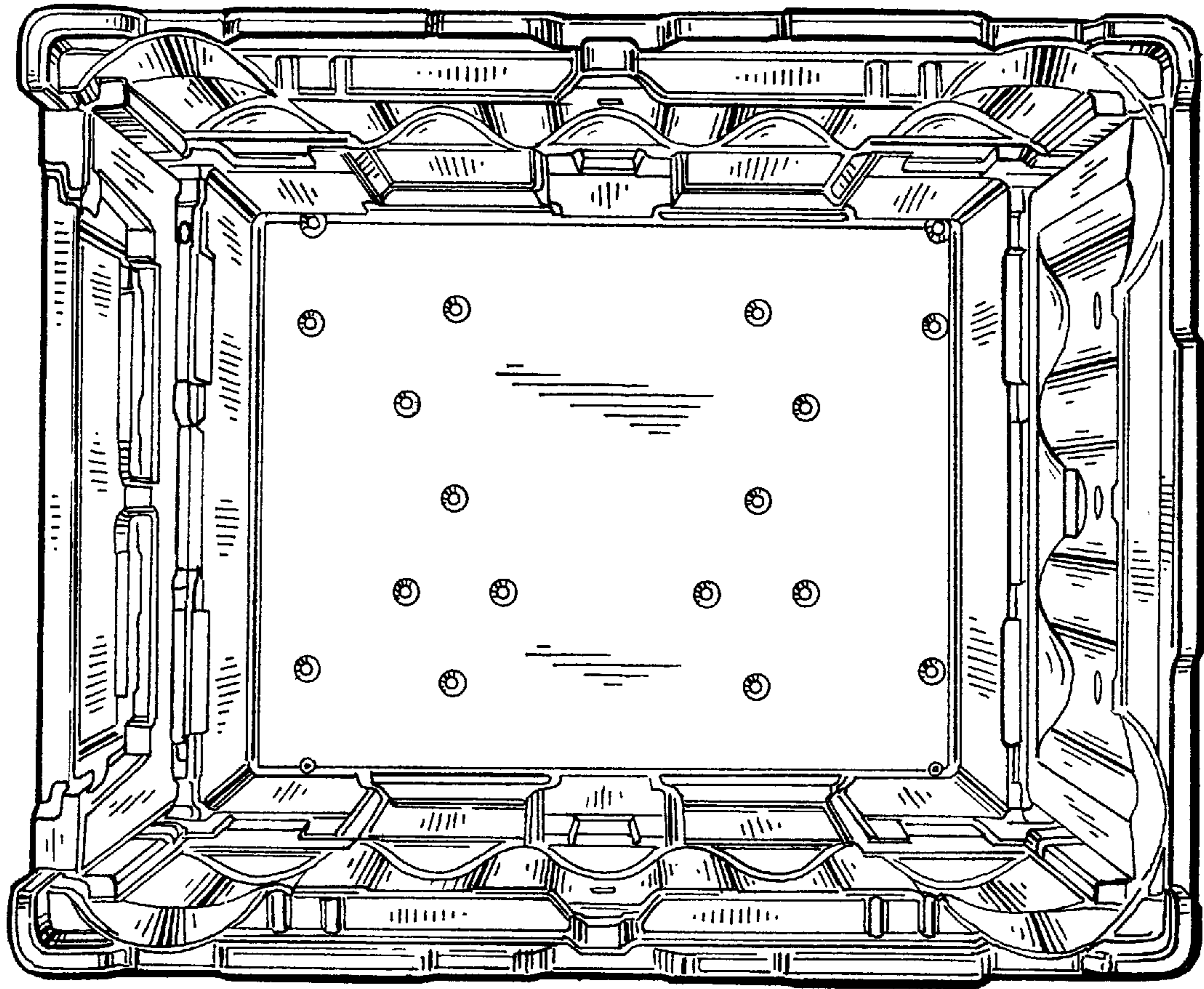


FIG. 9

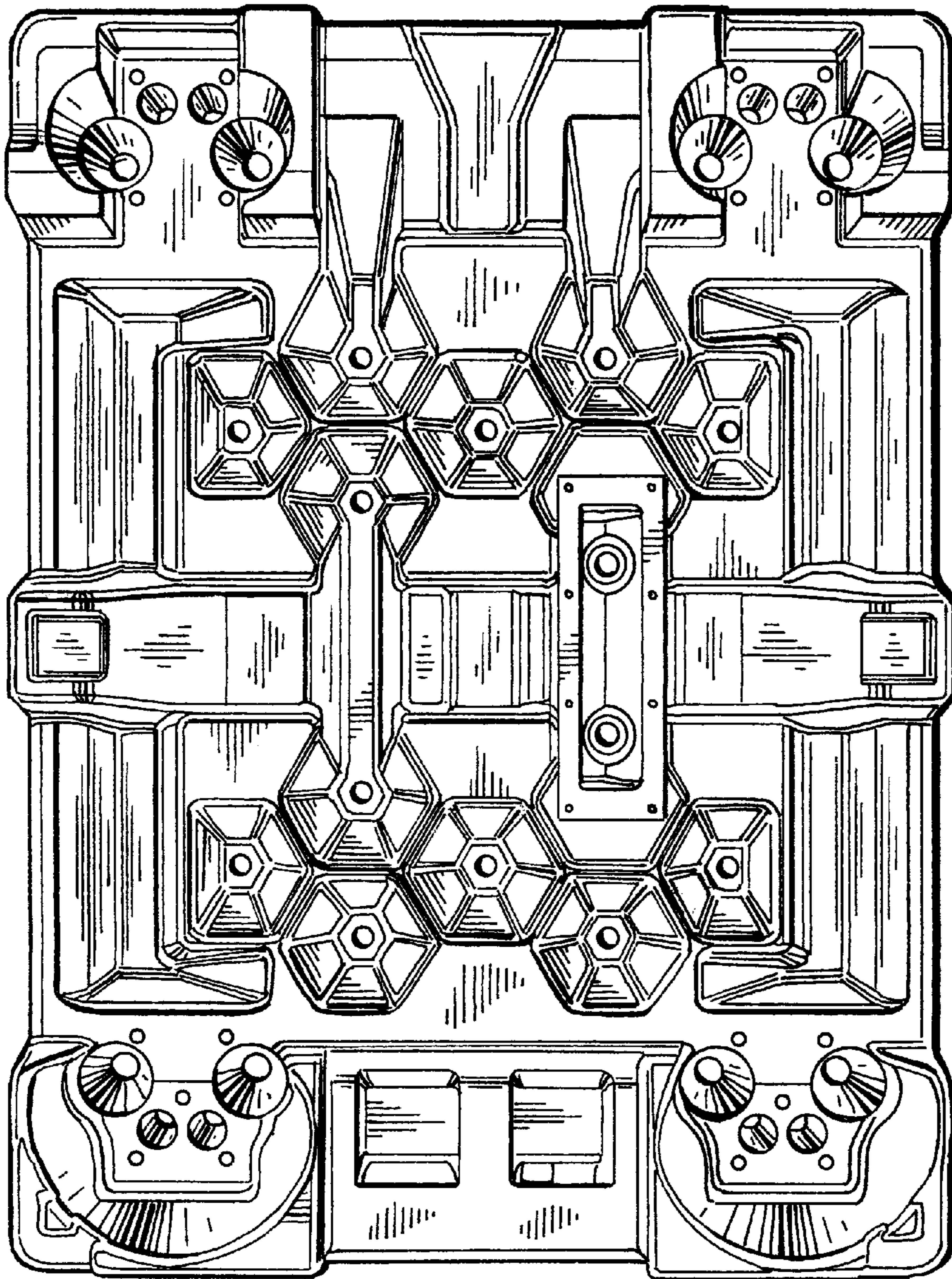


FIG. 10

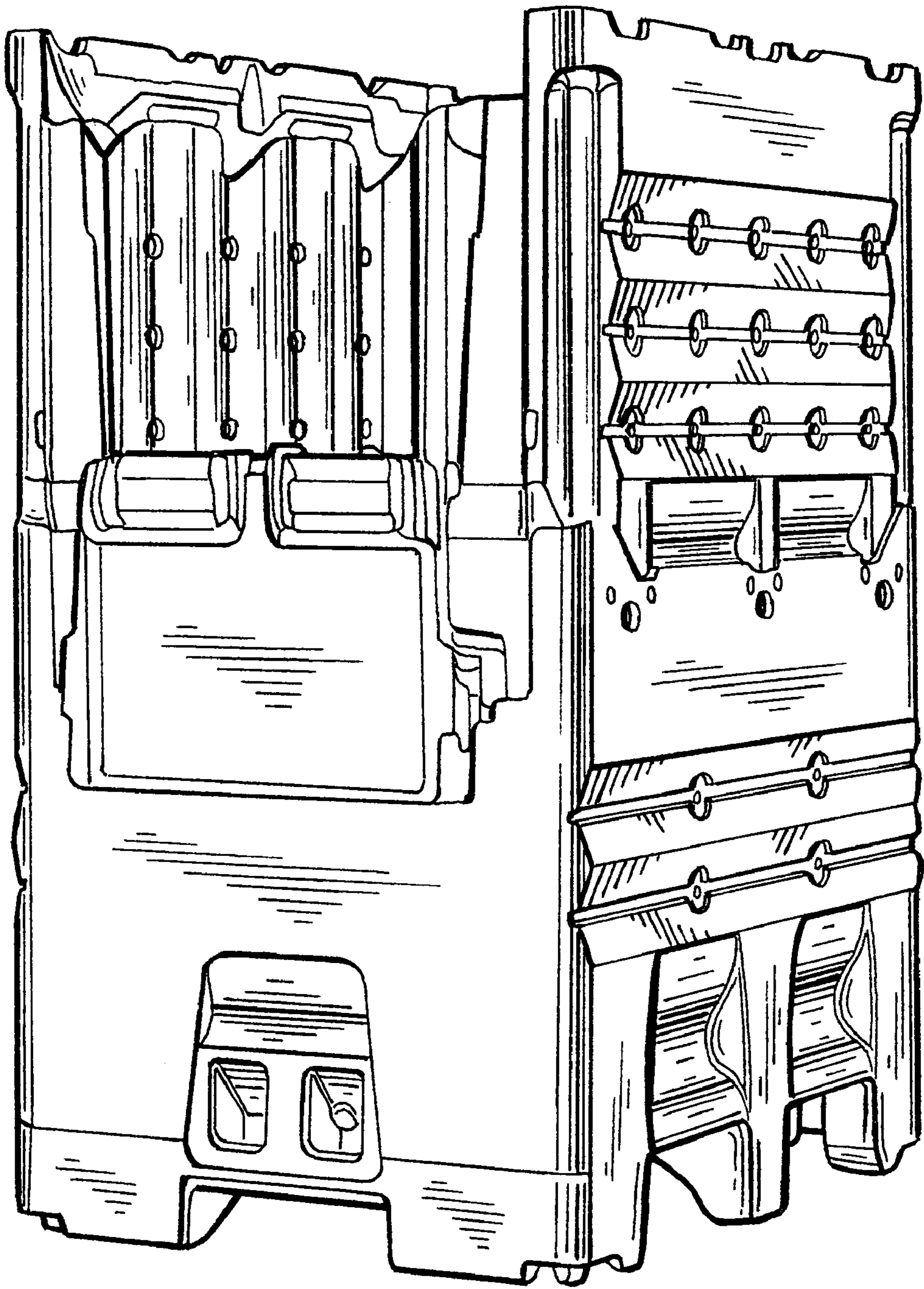


FIG. 11

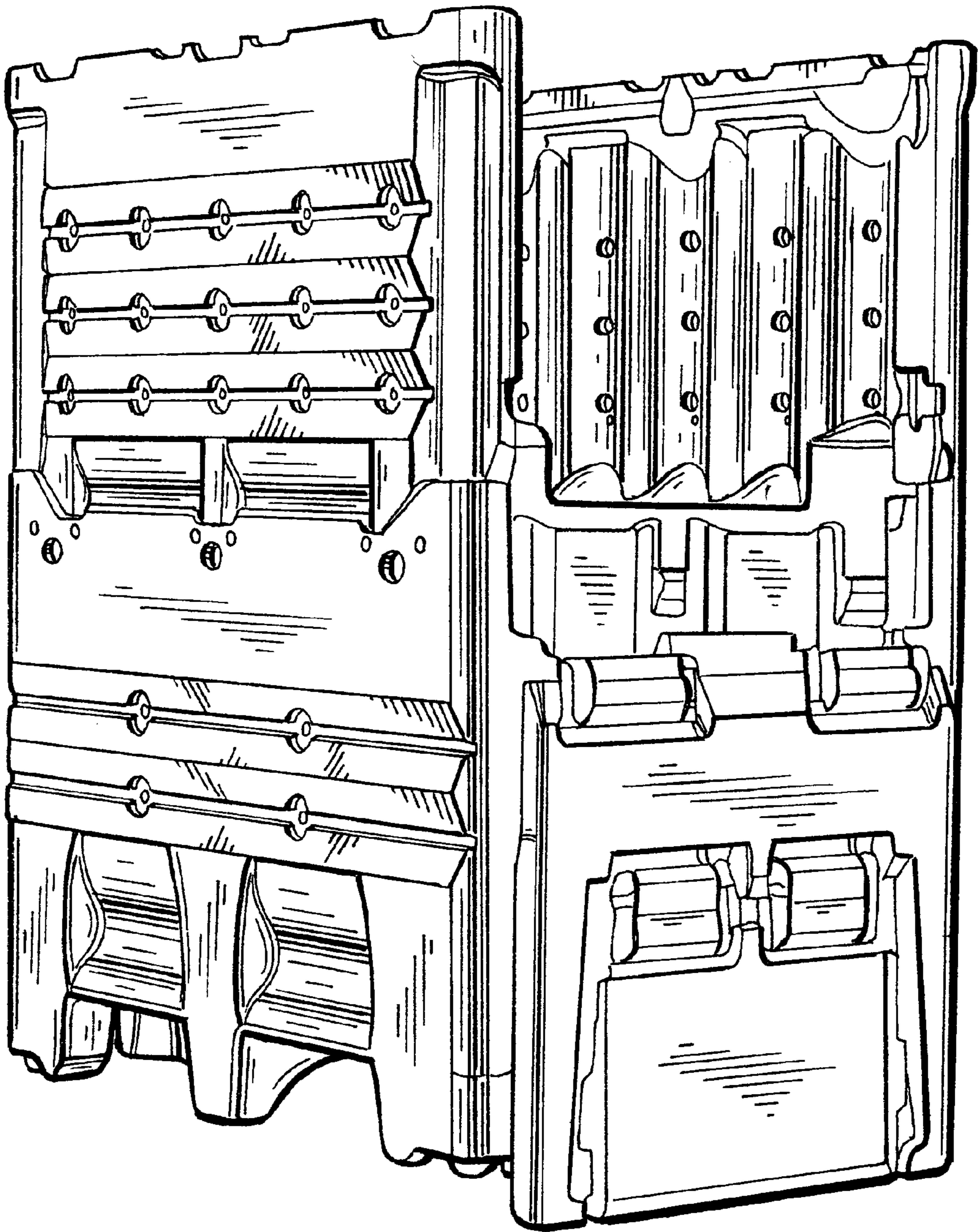


FIG. 12

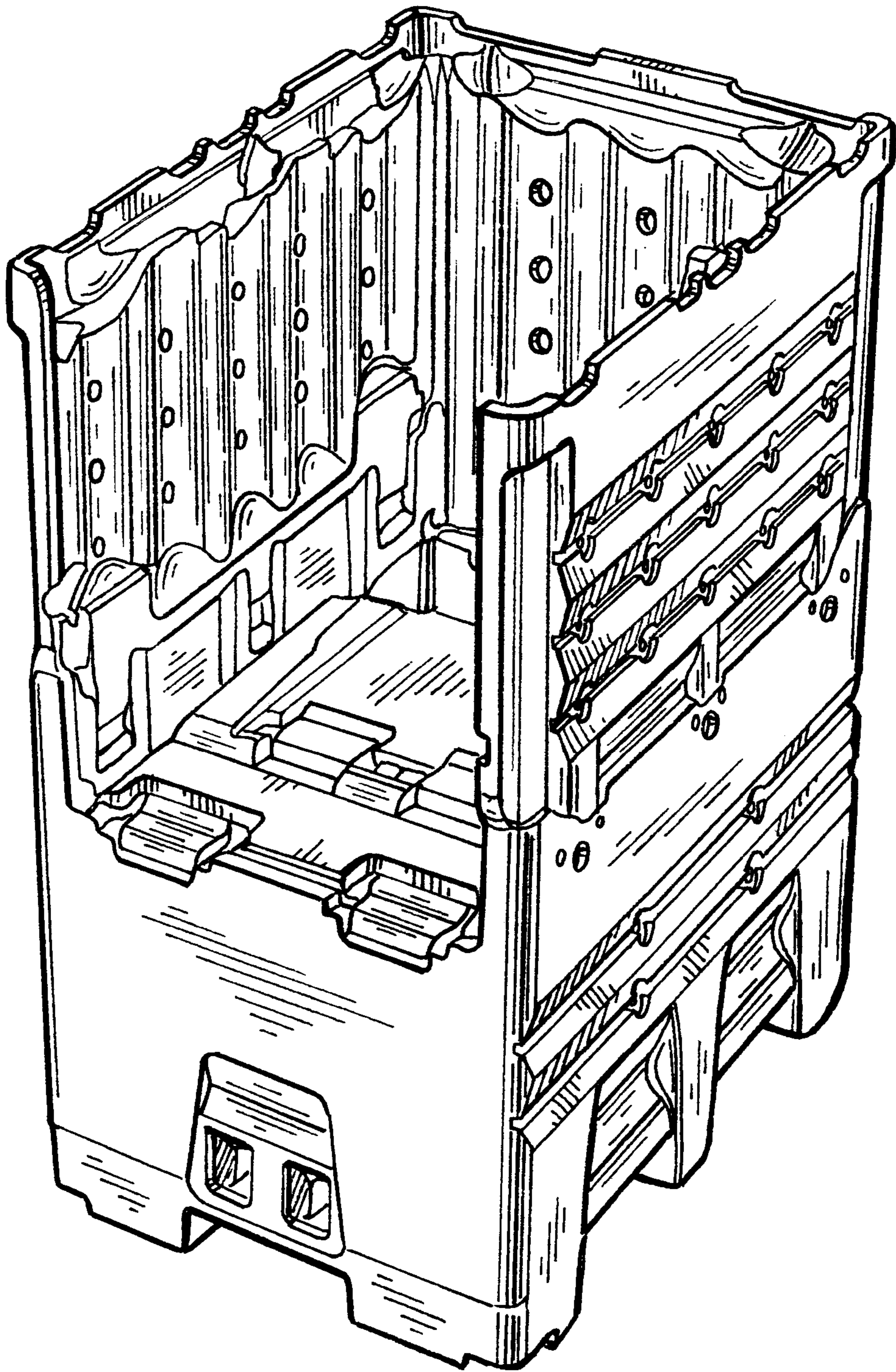


FIG. 13

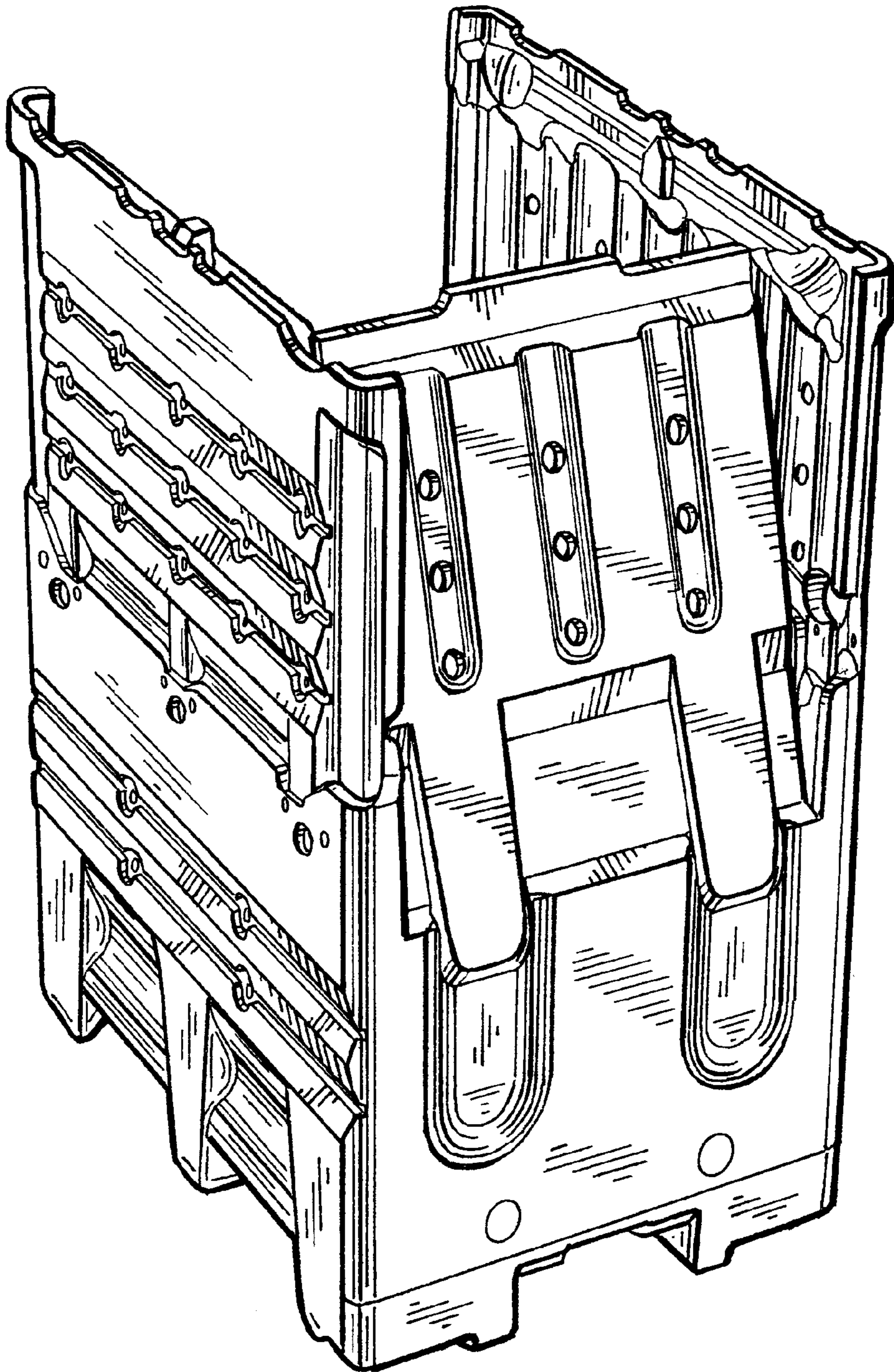


FIG. 14

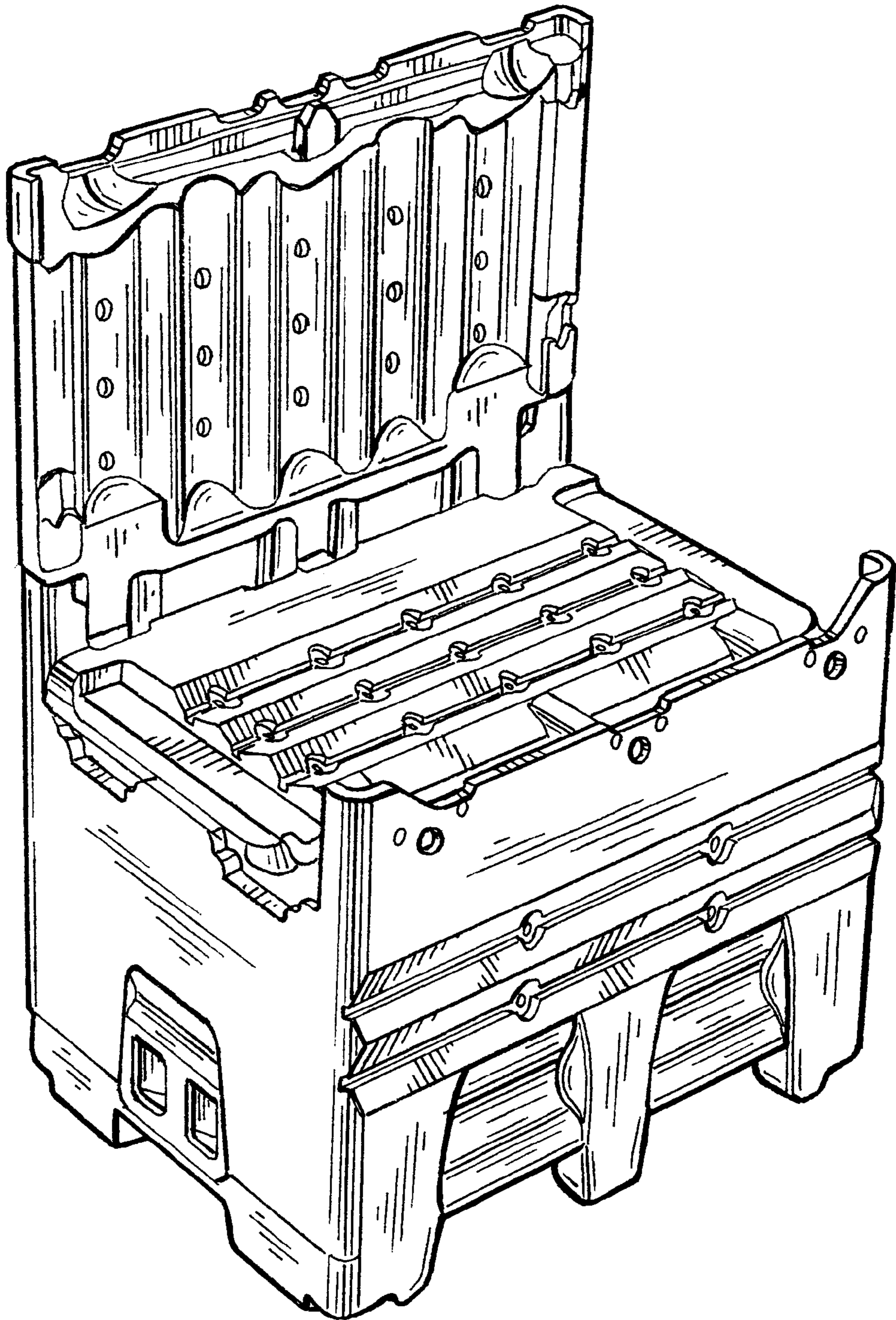


FIG. 15

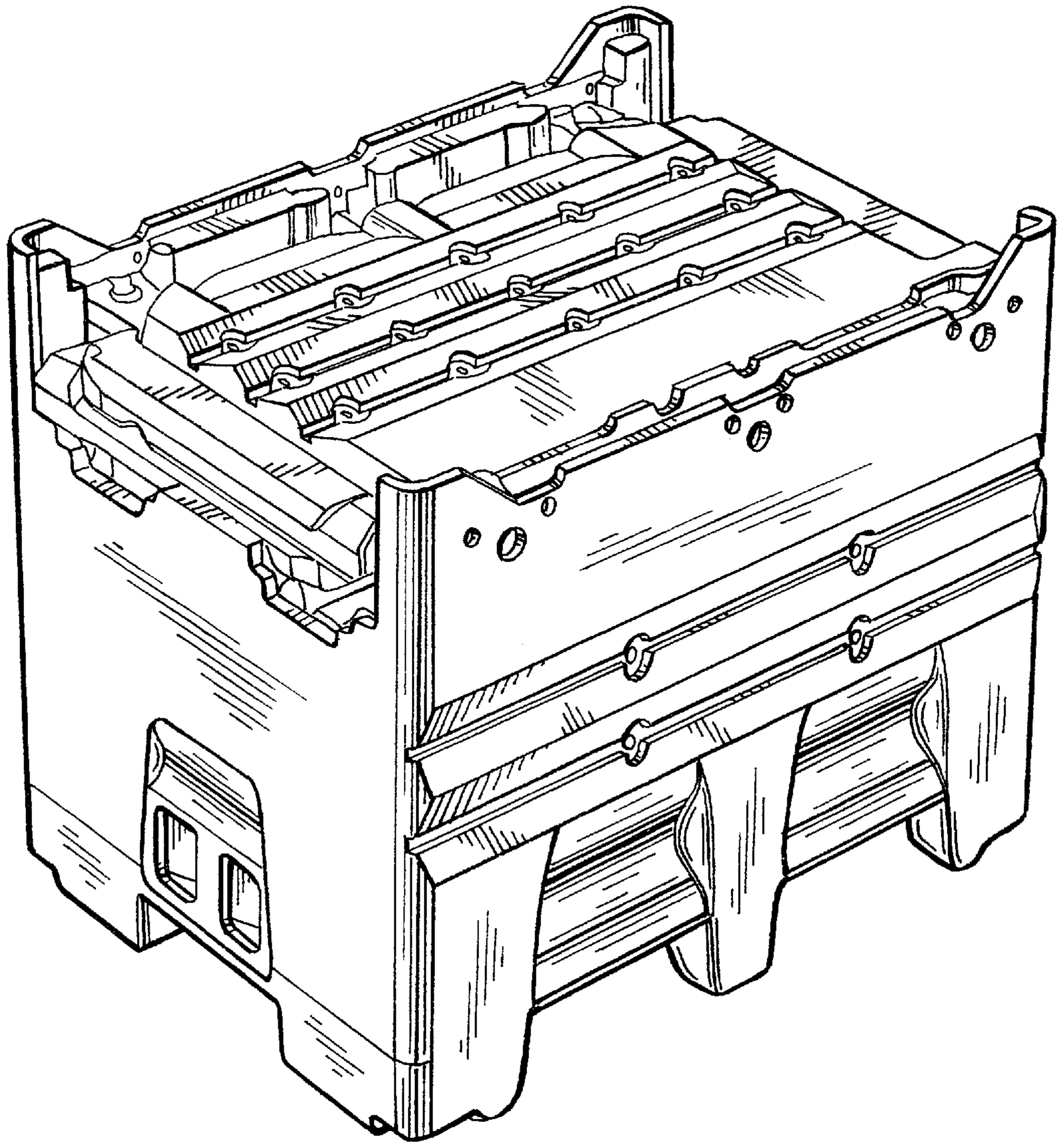


FIG. 16