



US00D453602S

(12) **United States Design Patent**  
**Chang**

(10) **Patent No.:** **US D453,602 S**

(45) **Date of Patent:** **\*\* Feb. 12, 2002**

(54) **FOLDABLE PUSH CART**

(75) Inventor: **Chung-Hsien Chang**, Taichung Hsien (TW)

(73) Assignee: **Yuan Liang Machine Co., Ltd.**, Taichung Hsien (TW)

(\*\*) Term: **14 Years**

(21) Appl. No.: **29/142,688**

(22) Filed: **Jun. 1, 2001**

(51) **LOC (7) Cl.** ..... **12-02**

(52) **U.S. Cl.** ..... **D34/24**

(58) **Field of Search** ..... D34/12-27; 280/47.24, 280/47.27, 47.29, 47.18, 655, 655.1, 652, 654

(56) **References Cited**

**U.S. PATENT DOCUMENTS**

D342,363 S	*	12/1993	Stein	.....	D34/26
5,468,005 A	*	11/1995	Yang	.....	280/40
D411,679 S	*	6/1999	Hsieh et al.	.....	D34/24

\* cited by examiner

*Primary Examiner*—Kay H. Chin

(74) *Attorney, Agent, or Firm*—Rosenberg, Klein & Lee

(57) **CLAIM**

The ornamental design for a foldable pushcart, as shown.

**DESCRIPTION**

FIG. 1 is a perspective view of a foldable pushcart showing my new design when the foldable pushcart is folded;

FIG. 2 is a front elevational view thereof in accordance with FIG. 1;

FIG. 3 is a rear elevational view thereof in accordance with FIG. 1;

FIG. 4 is a left side view thereof in accordance with FIG. 1;

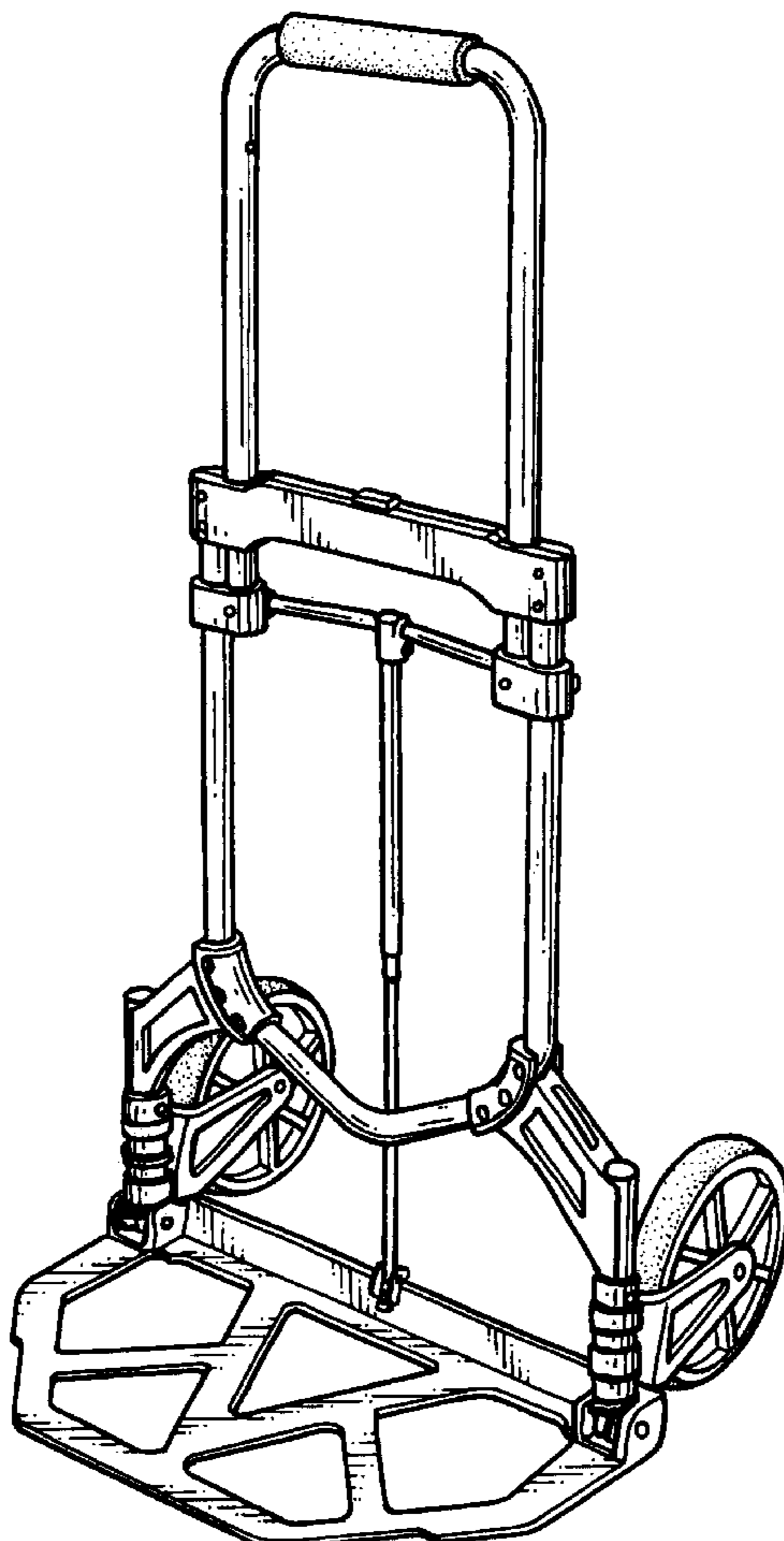
FIG. 5 is a right side view thereof in accordance with FIG. 1;

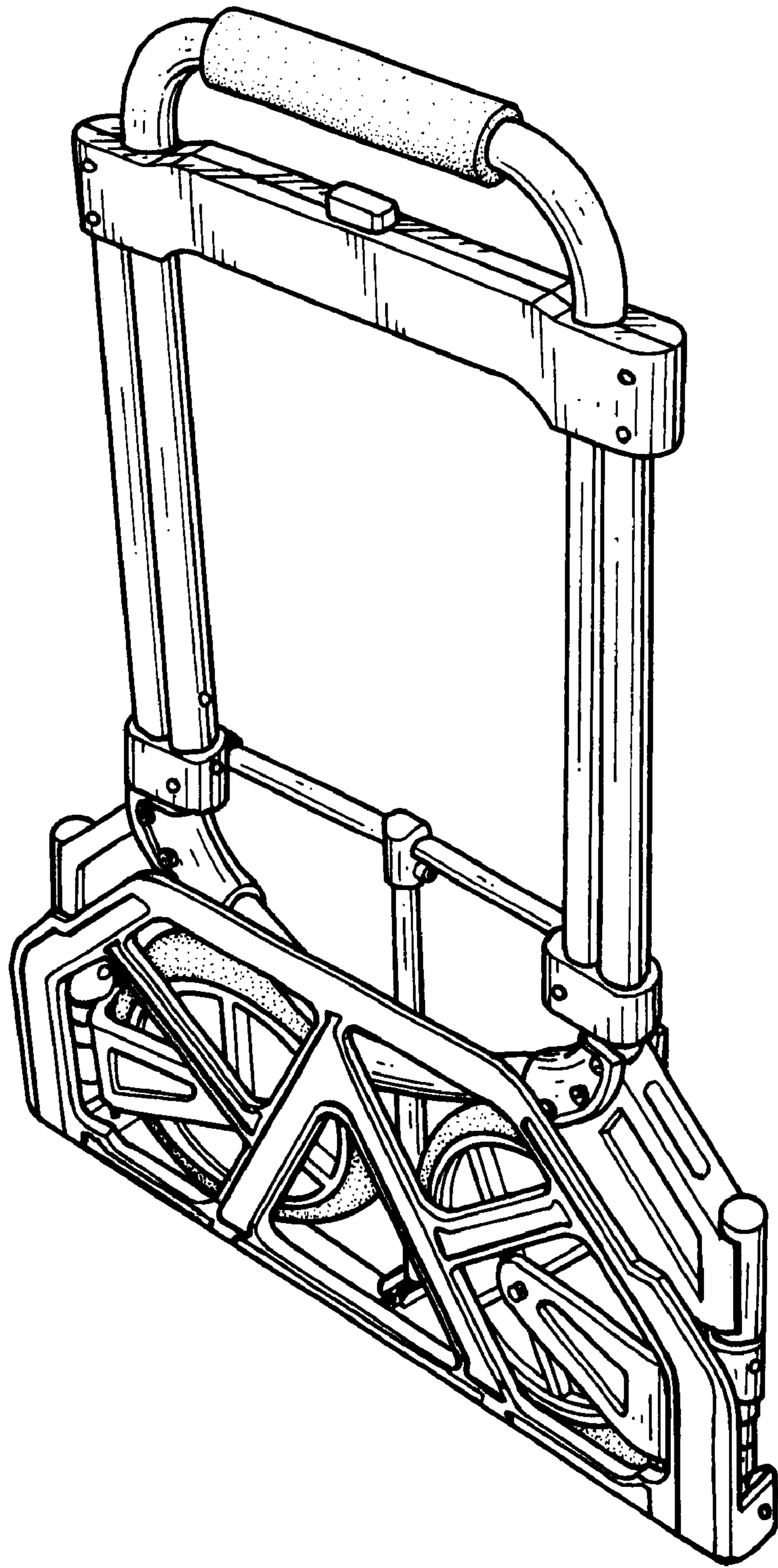
FIG. 6 is a top plain view thereof in accordance with FIG. 1;

FIG. 7 is a bottom plain view thereof in accordance with FIG. 1; and,

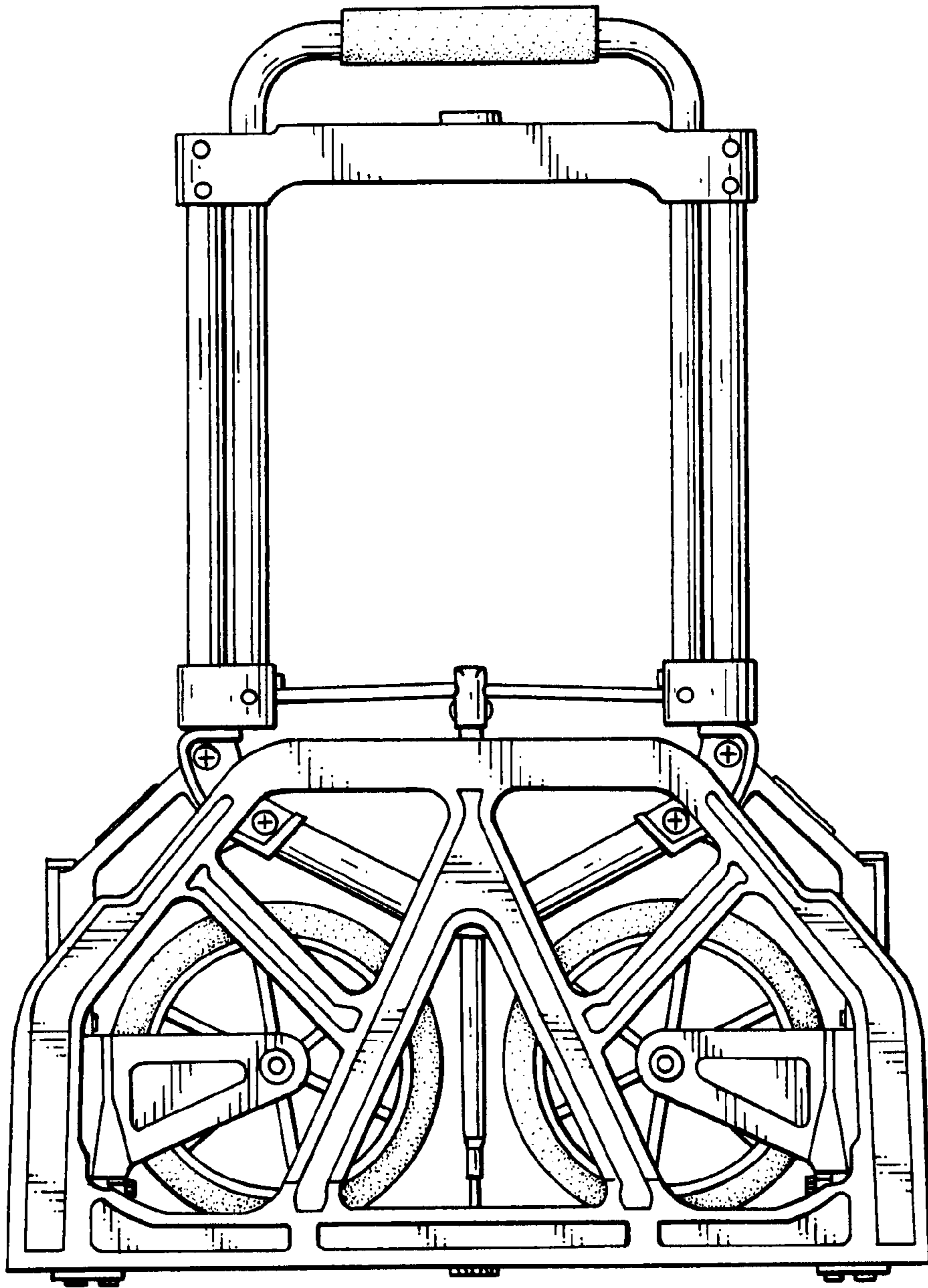
FIG. 8 is a perspective view of the foldable pushcart in an unfolded state.

**1 Claim, 6 Drawing Sheets**

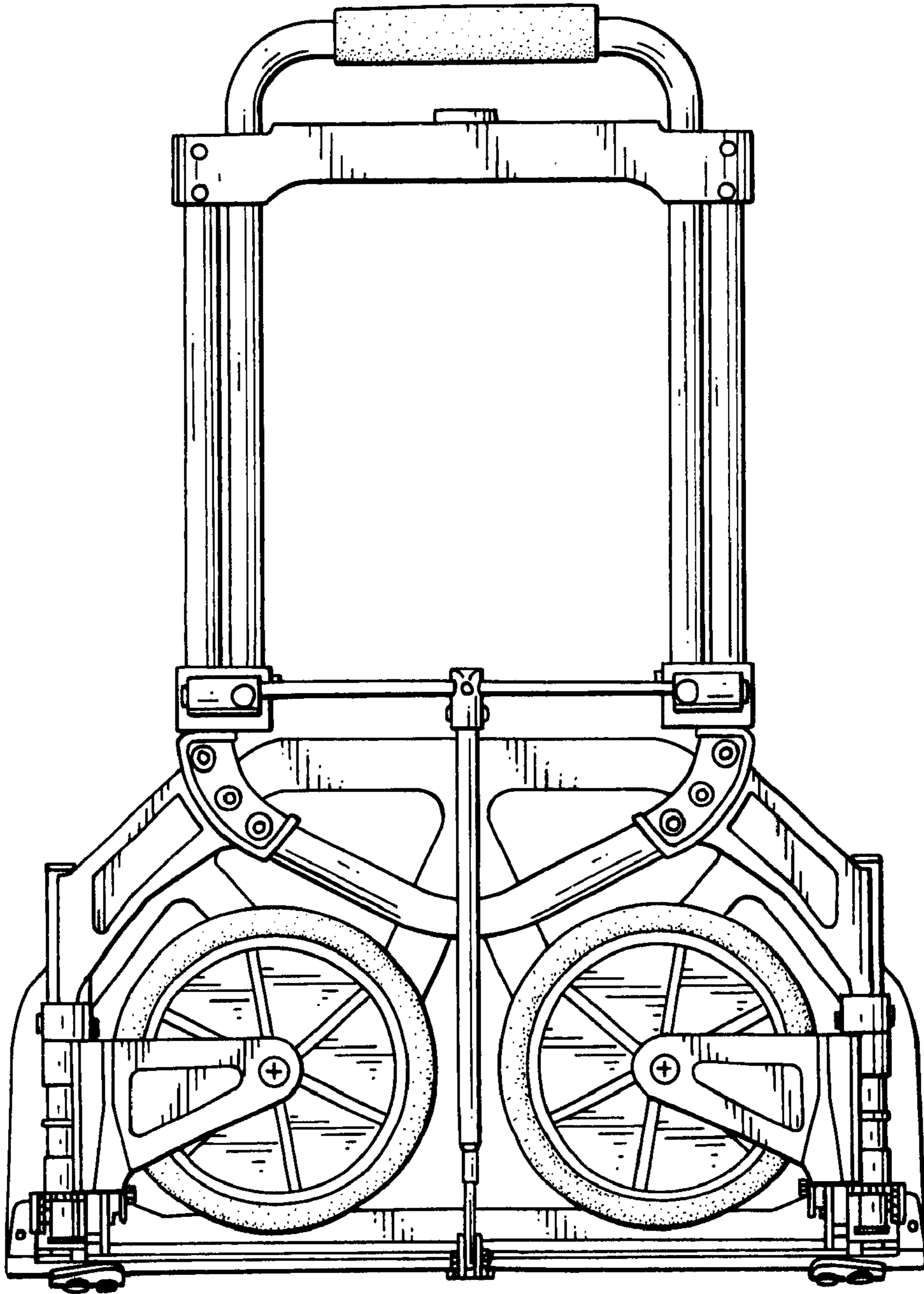




**FIG. 1**

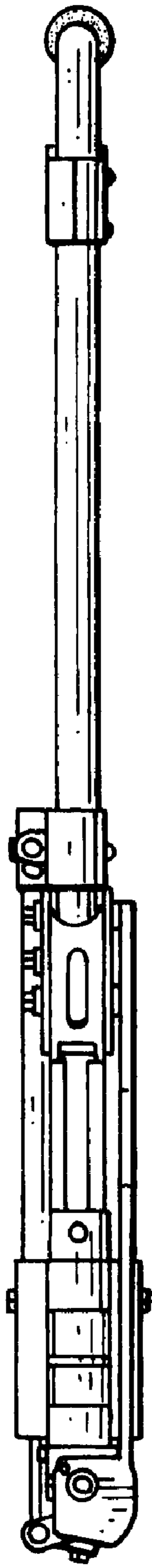


**FIG. 2**

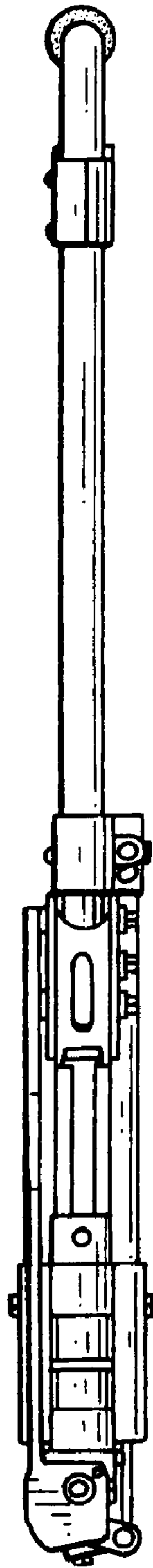


**FIG. 3**

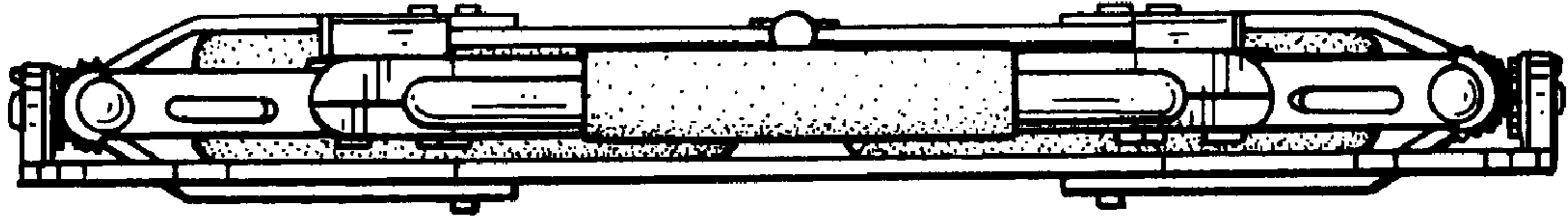




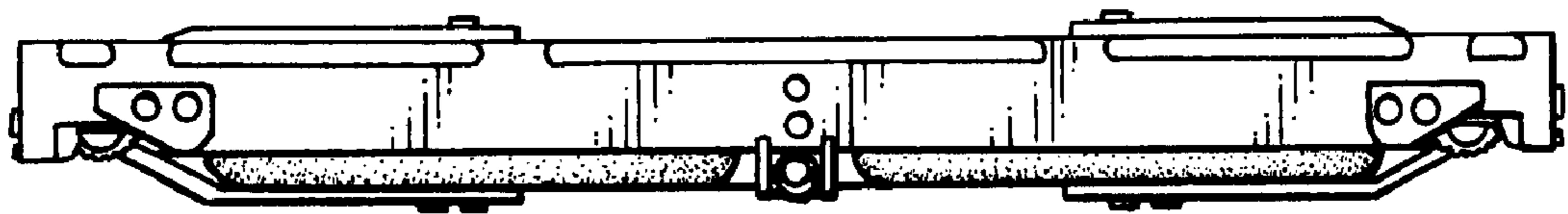
**FIG. 4**



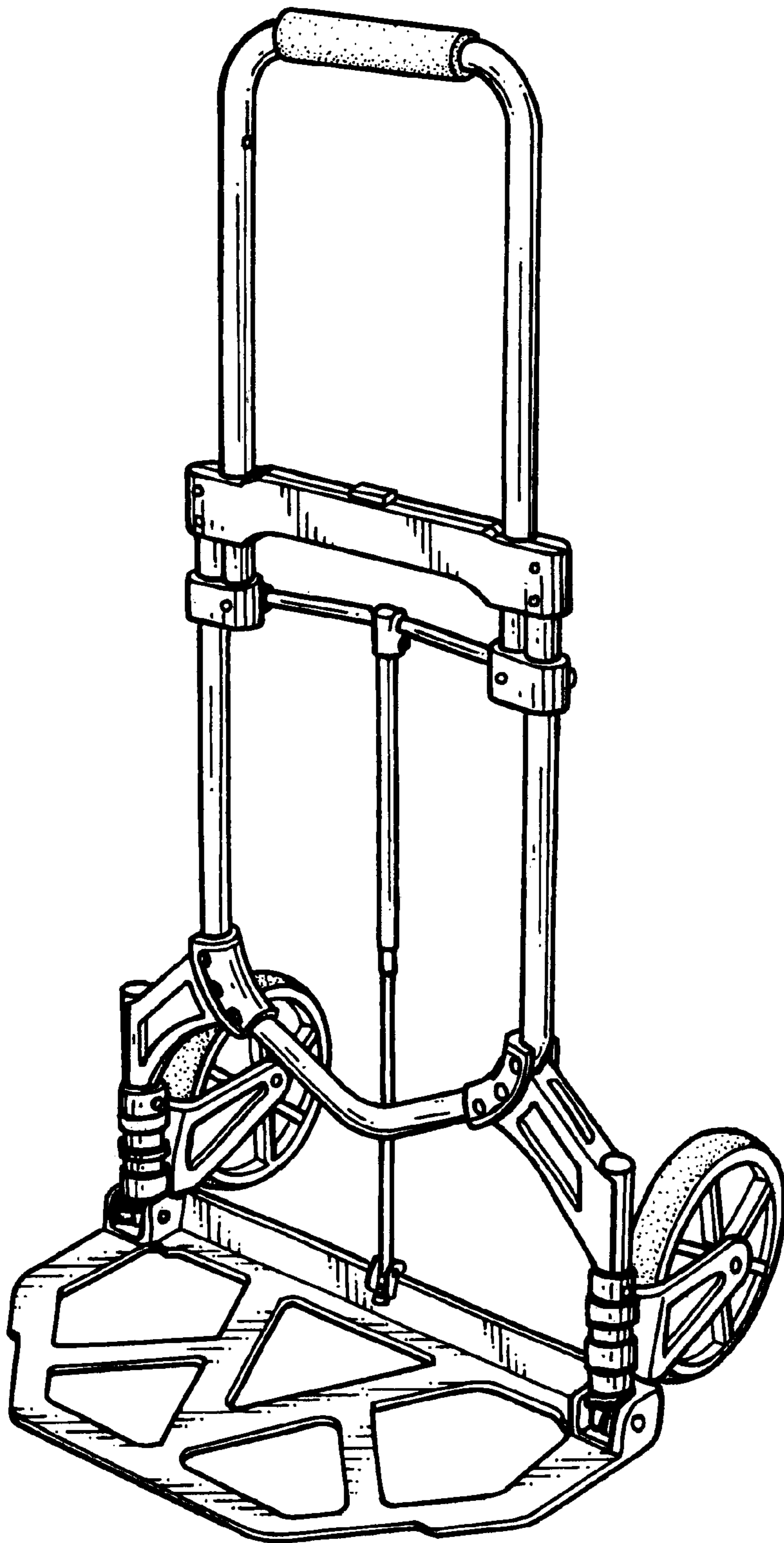
**FIG. 5**



**FIG. 6**



**FIG. 7**



**FIG. 8**