



US00D453601S

(12) **United States Design Patent**
Ji

(10) **Patent No.:** **US D453,601 S**

(45) **Date of Patent:** **** Feb. 12, 2002**

(54) **COMBINATION CREEPER AND SEAT**

Primary Examiner—Kay H. Chin

(76) **Inventor:** **Jun Ji**, 2210 E. Artesia Bl., Long Beach, CA (US) 90805

(57) **CLAIM**

(**) **Term:** **14 Years**

The ornamental design for the combination creeper and seat, as shown and described.

(21) **Appl. No.:** **29/141,379**

DESCRIPTION

(22) **Filed:** **May 3, 2001**

FIG. 1 is a perspective view of my new design in the seat position.

(51) **LOC (7) Cl.** **12-02**

FIG. 2 is a left side view thereof.

(52) **U.S. Cl.** **D34/23**

FIG. 3 is a front view thereof.

(58) **Field of Search** D34/12-27; 280/32.5, 280/32.6, 30

FIG. 4 is a right side view thereof.

FIG. 5 is a bottom view thereof.

(56) **References Cited**

FIG. 6 is a top plan view thereof; and,

U.S. PATENT DOCUMENTS

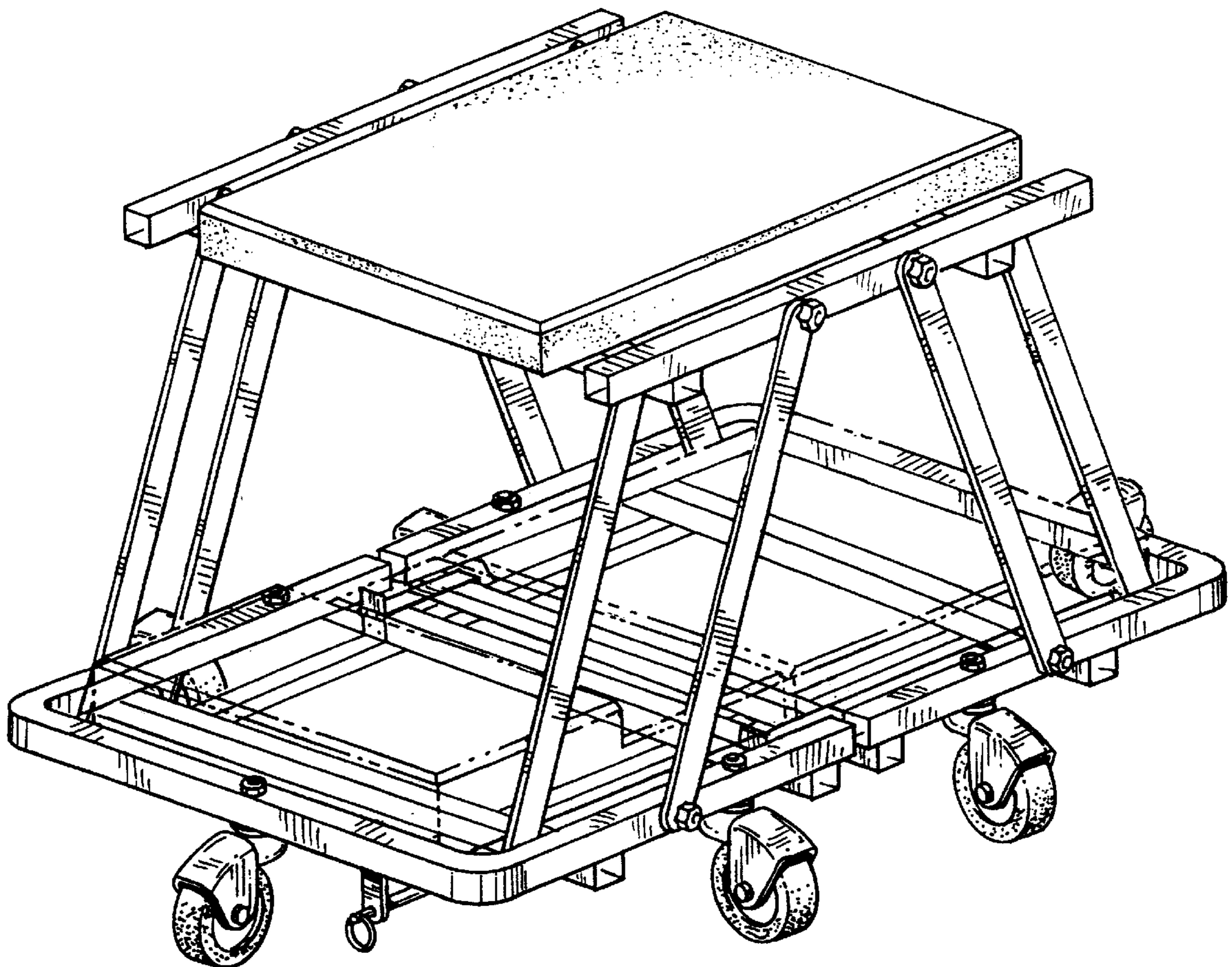
FIG. 7 is a perspective view of my new design when it is extended in the creeper position.

5,895,062	A	*	4/1999	Miles et al.	280/32.6
D412,045	S	*	7/1999	Yuan	D34/23
5,947,489	A	*	9/1999	Tucker	280/32.6
D431,705	S	*	10/2000	Yuan	D34/23
6,199,877	B1	*	3/2001	Shockley	280/32.6

The broken line illustration of cushions shown in FIGS. 1, 2, 3, 4, 6 and 7 are for illustrative purposes only for forms no part of the claimed design.

* cited by examiner

1 Claim, 5 Drawing Sheets



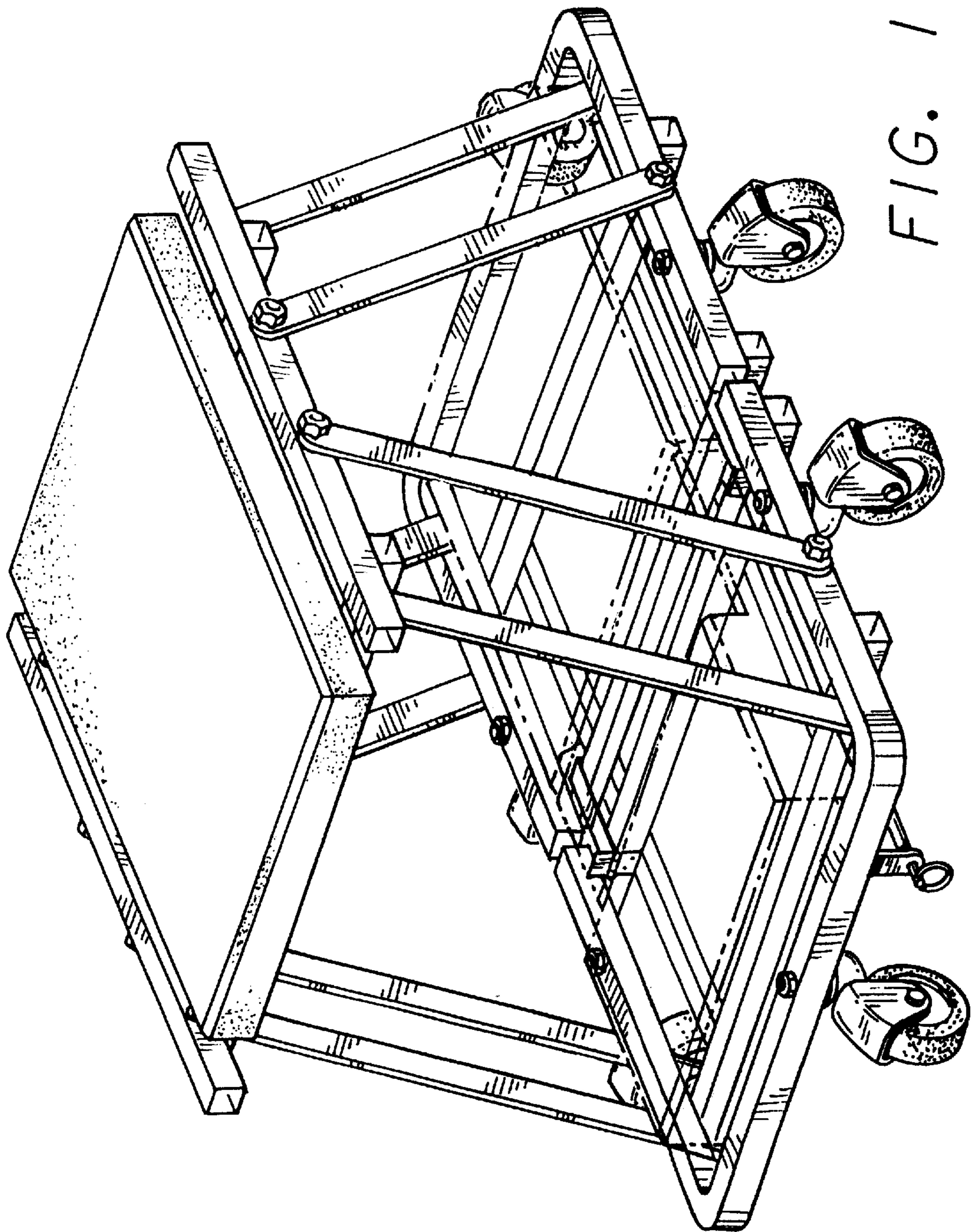


FIG. 1

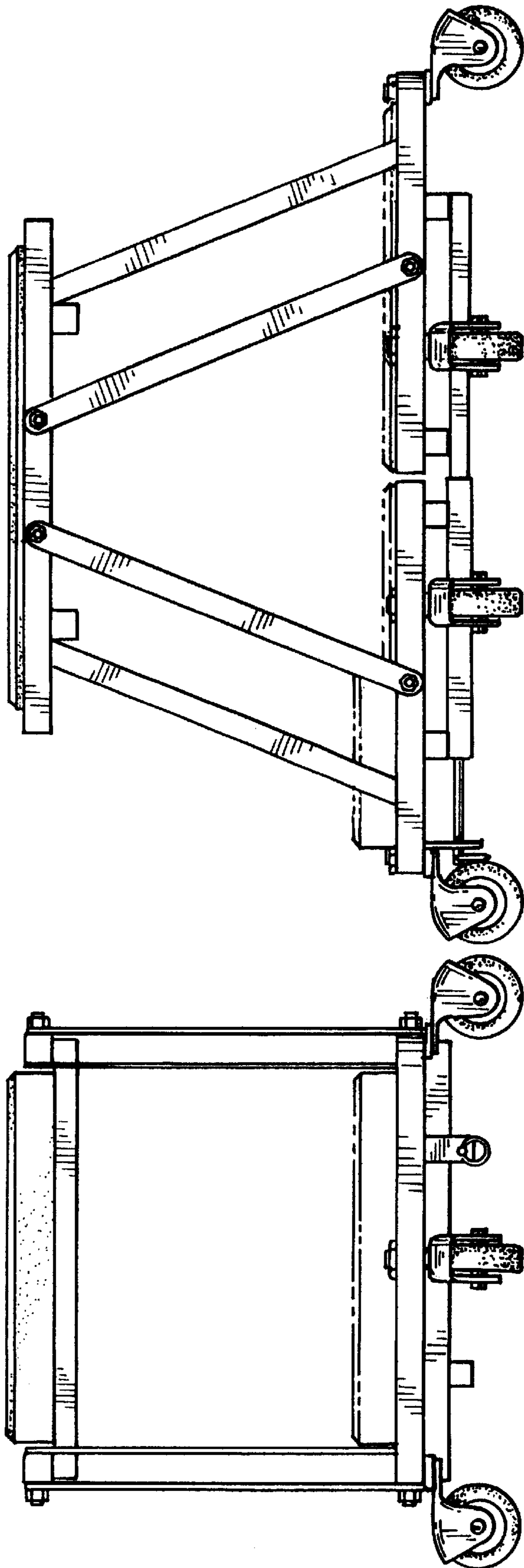


FIG. 3

FIG. 2

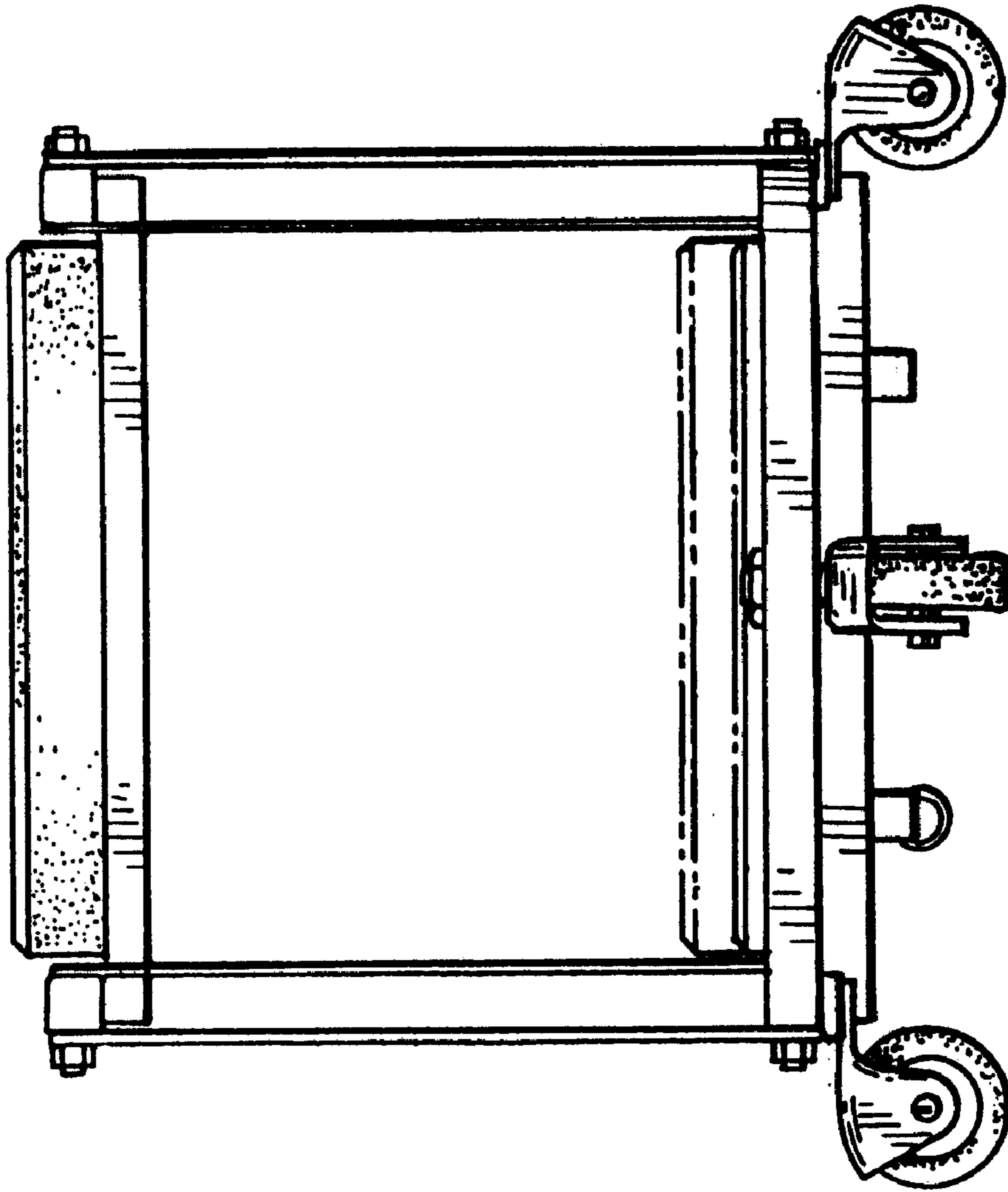


FIG. 4

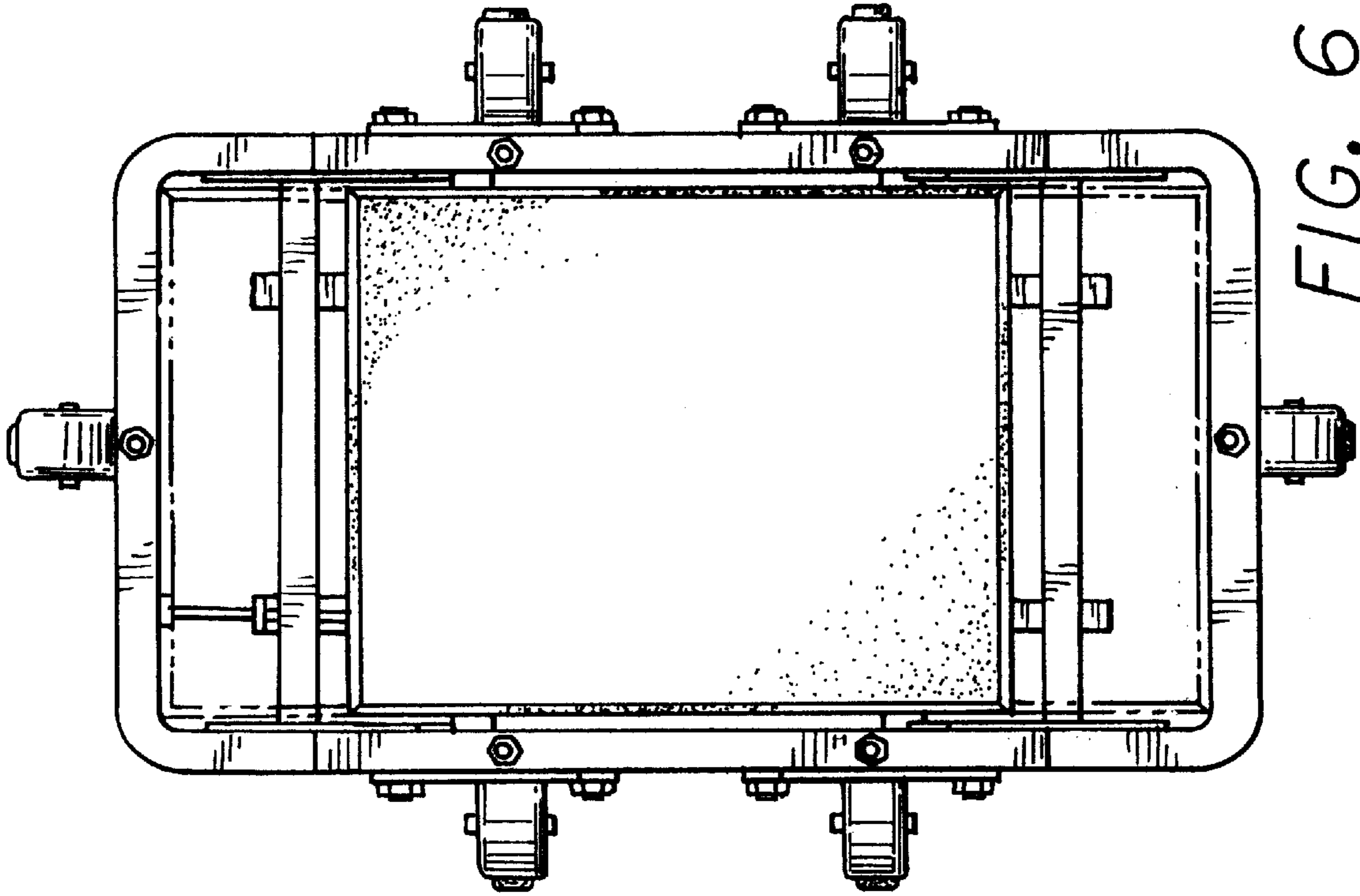


FIG. 6

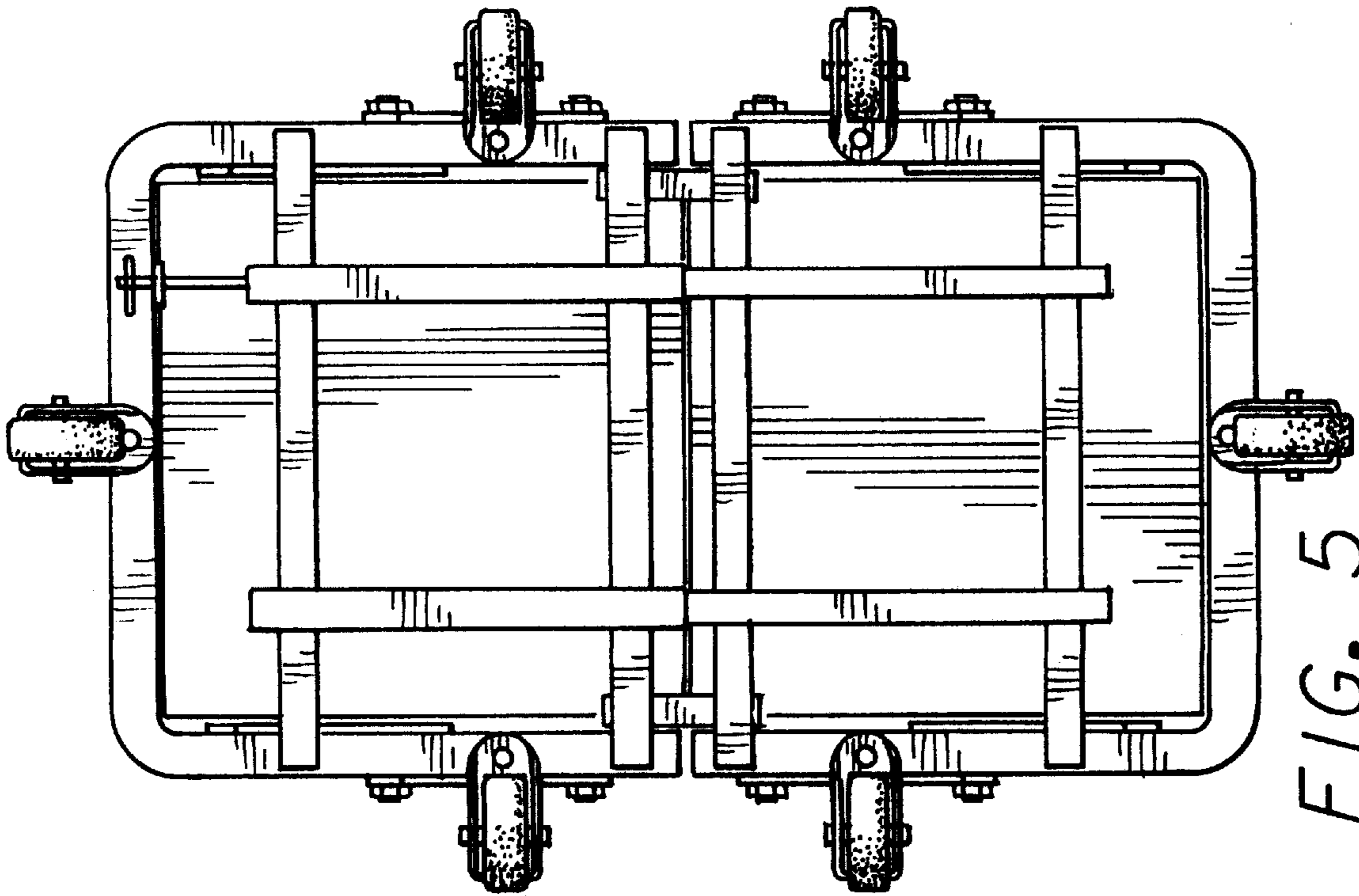


FIG. 5

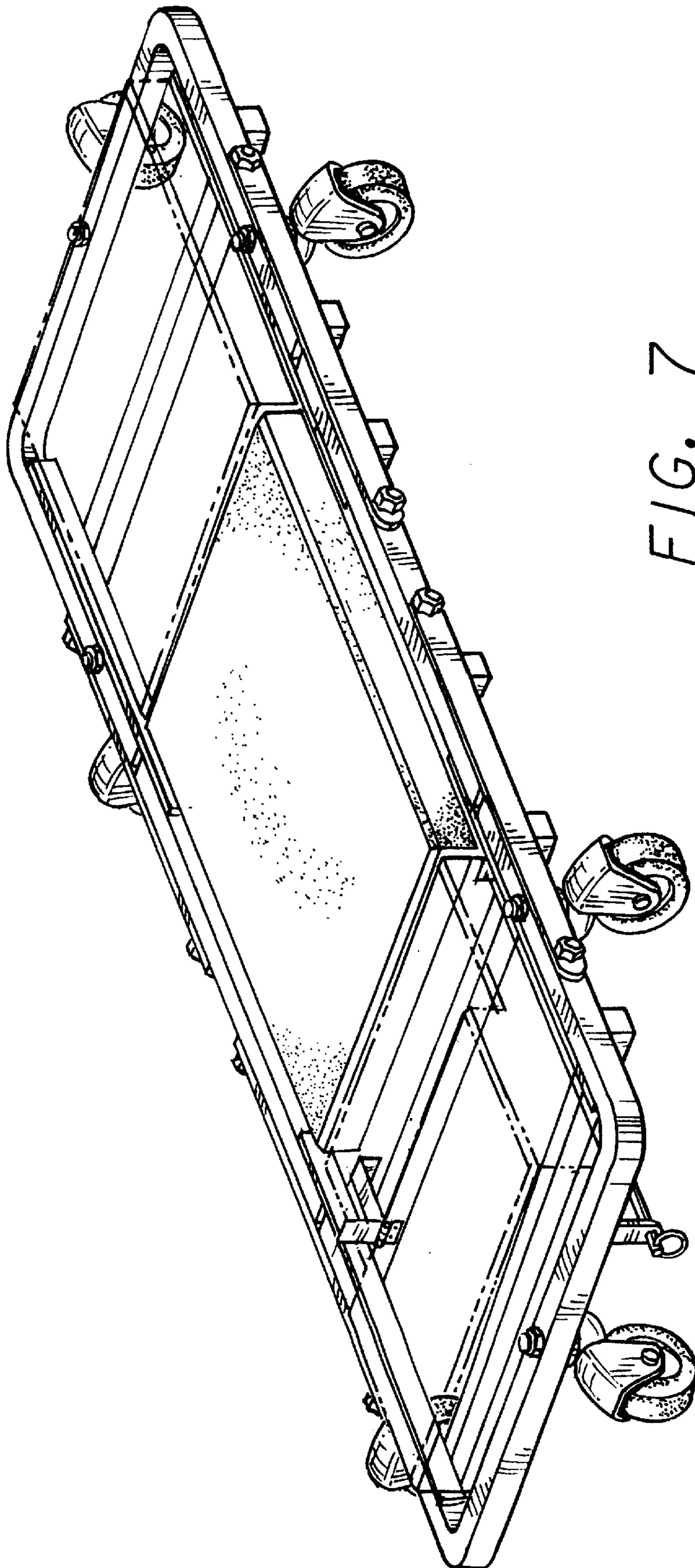


FIG. 7