



US00D453597S

(12) **United States Design Patent**
Zahuranec et al.

(10) **Patent No.:** **US D453,597 S**

(45) **Date of Patent:** **** Feb. 12, 2002**

(54) **UPPER HANDLE PORTION FOR CARPET EXTRACTOR**

(75) Inventors: **Terry L. Zahuranec**, North Olmsted; **Brett Latimer**; **Robert A. Salo**, both of Mentor; **Mark E. Cipolla**, Chardon; **Wallace D. Tiller, Jr.**, Stow; **Jeffrey M. Kalman**, Cleveland Heights; **Craig M. Saunders**, Rocky River; **Richard C. Farone**, Willoughby; **Robert A. Matousek**, Lakewood, all of OH (US)

(73) Assignee: **Royal Appliance Mfg. Co.**, Glenwillow, OH (US)

(**) Term: **14 Years**

(21) Appl. No.: **29/135,550**

(22) Filed: **Jan. 12, 2001**

(51) **LOC (7) Cl.** **15-05**
(52) **U.S. Cl.** **D32/34**
(58) **Field of Search** D32/22, 25, 31, D32/34; 15/320-323, 347, 350, 352-353, 335, 337, 361, 379, 400, 410, DIG. 8, DIG. 10; D4/138

(56) **References Cited**

U.S. PATENT DOCUMENTS

D358,241 S 5/1995 Bradd
D365,179 S 12/1995 Bradd
D387,518 S 12/1997 Medema
5,784,755 A 7/1998 Karr et al.
D403,482 S 12/1998 Essex et al.

D405,569 S 2/1999 Rowley et al.
5,887,313 A * 3/1999 Hanold et al. 15/320
D428,677 S 7/2000 Saunders et al.
6,106,182 A * 8/2000 Hamm et al. 403/96
6,145,159 A * 11/2000 Zahuranec et al. 15/320
D435,708 S * 12/2000 Medema et al. D32/31
6,154,917 A * 12/2000 Zahuranec et al. 15/320
D439,385 S * 3/2001 Salo et al. D32/34
D443,121 S * 5/2001 Hamm et al. D32/34

* cited by examiner

Primary Examiner—Ruth McInroy

(74) *Attorney, Agent, or Firm*—Fay, Sharpe, Fagan, Minnich & McKee, LLP

(57) **CLAIM**

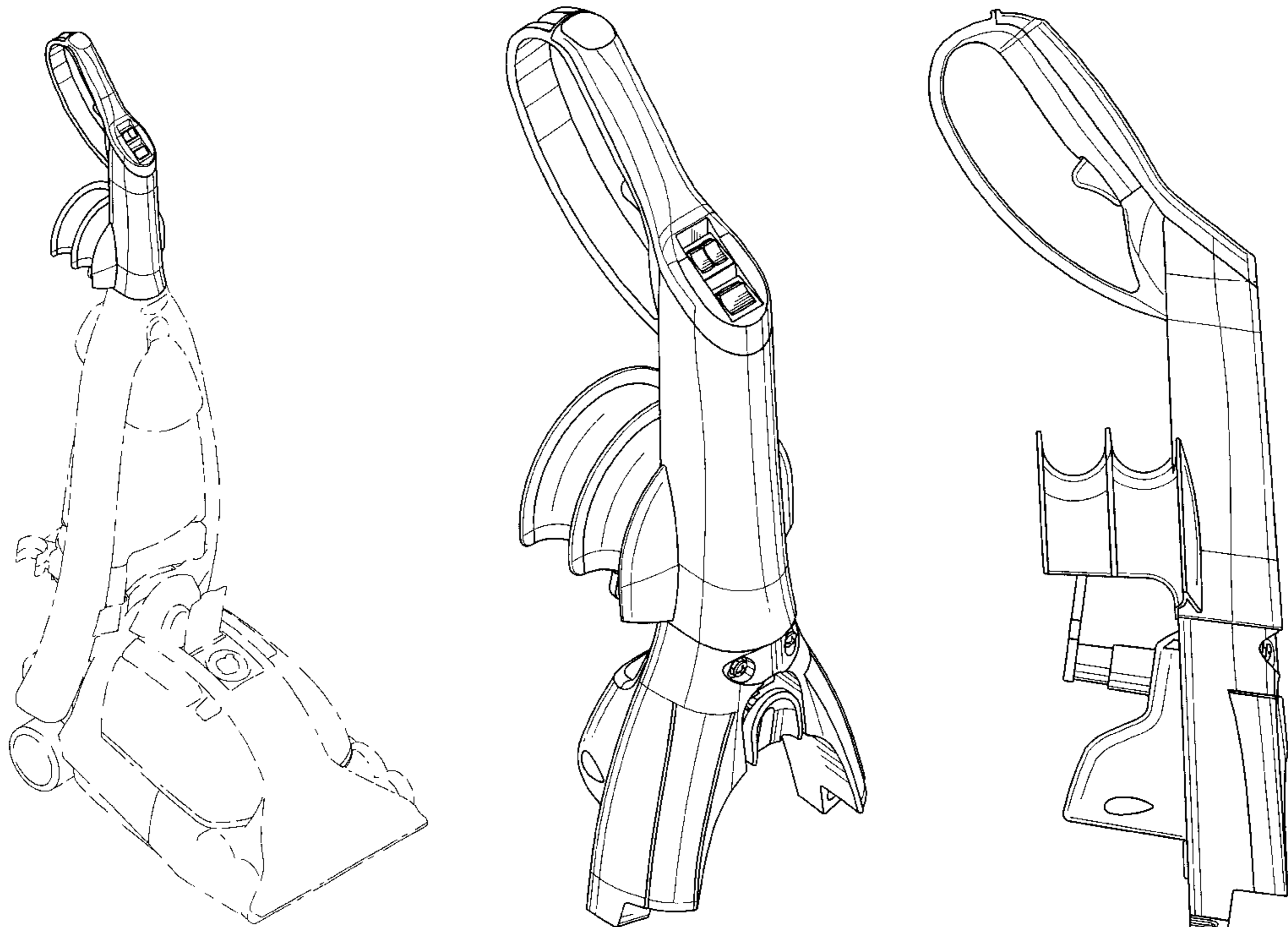
The ornamental design for the upper handle portion for carpet extractor, as shown and described.

DESCRIPTION

FIG. 1 is a perspective view of a upper handle portion for carpet extractor showing our new design; FIG. 2 is a perspective view thereof; FIG. 3 is a rear elevational view thereof; FIG. 4 is a left side elevational view thereof; FIG. 5 is a front elevational view thereof; FIG. 6 is a right side elevational view thereof; FIG. 7 is a top plan view thereof; and FIG. 8 is a bottom plan view thereof; and FIG. 9 is a rear perspective view thereof.

The carpet extractor parts shown in broken lines in FIGS. 1 and 9 are shown for illustrative purposes only and form no part of the claimed design.

1 Claim, 7 Drawing Sheets



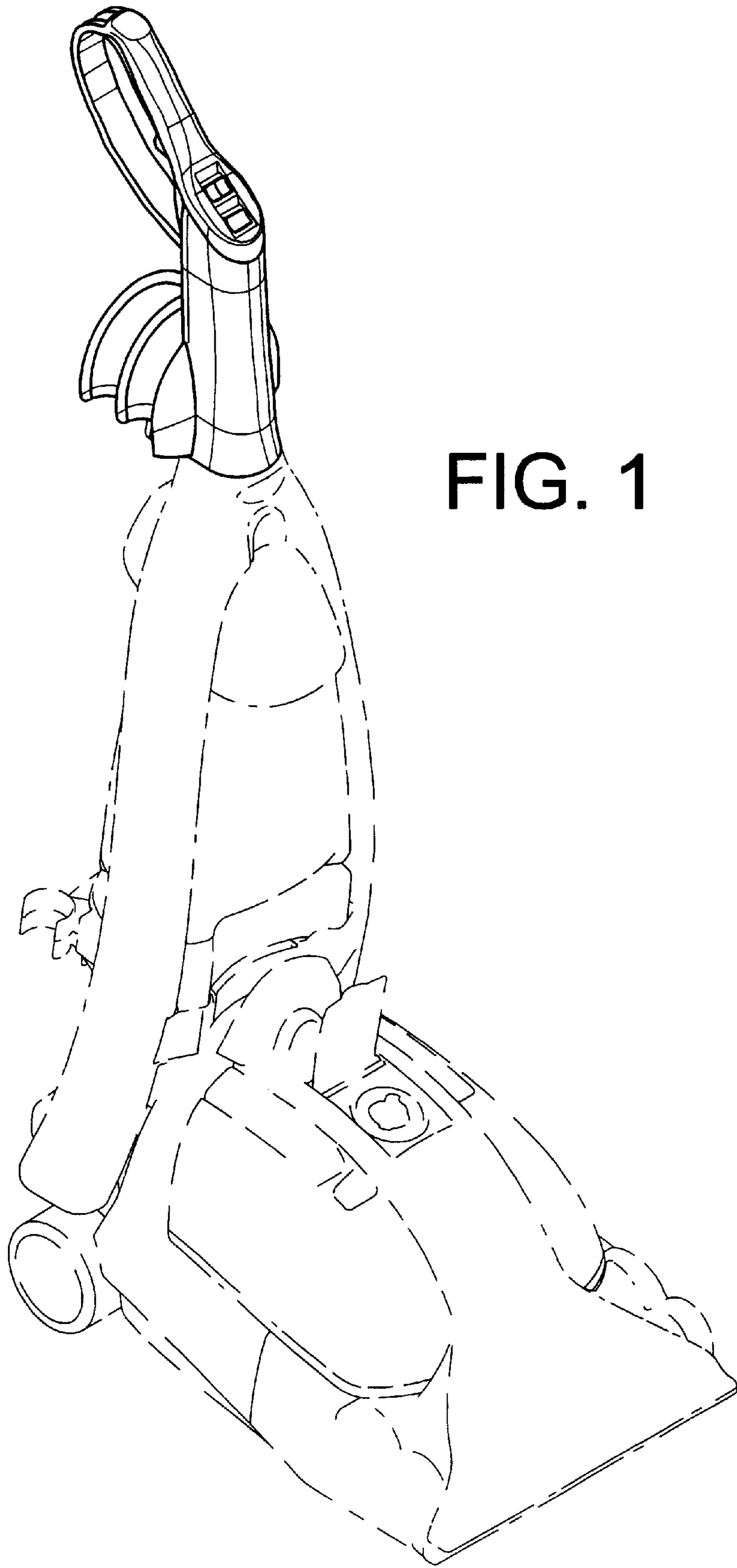
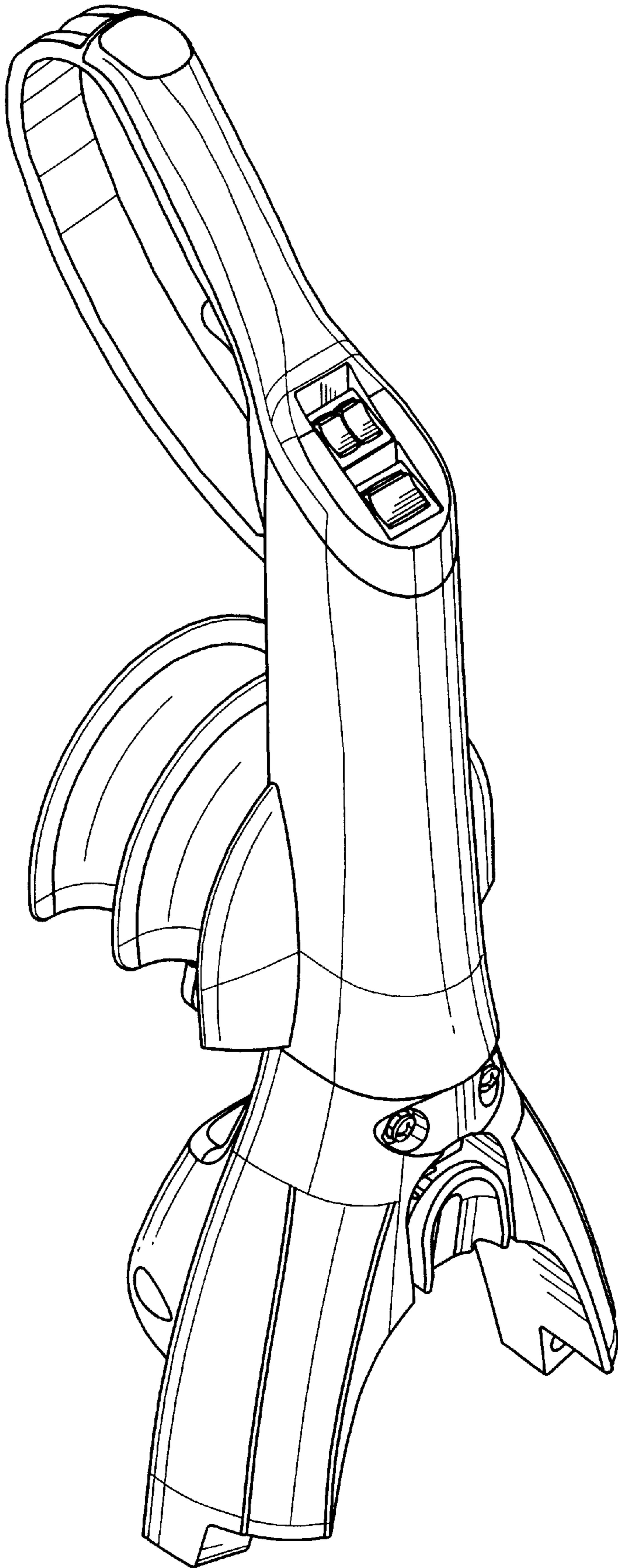


FIG. 1

FIG. 2



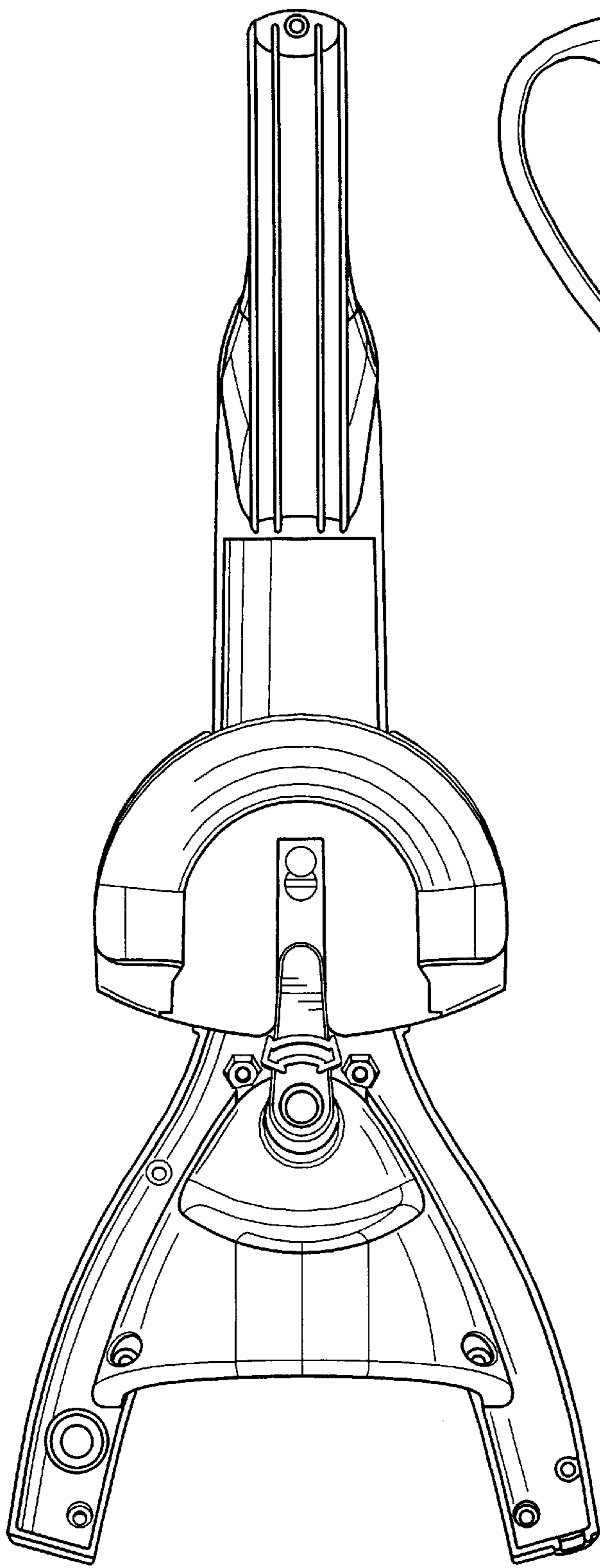


FIG. 3

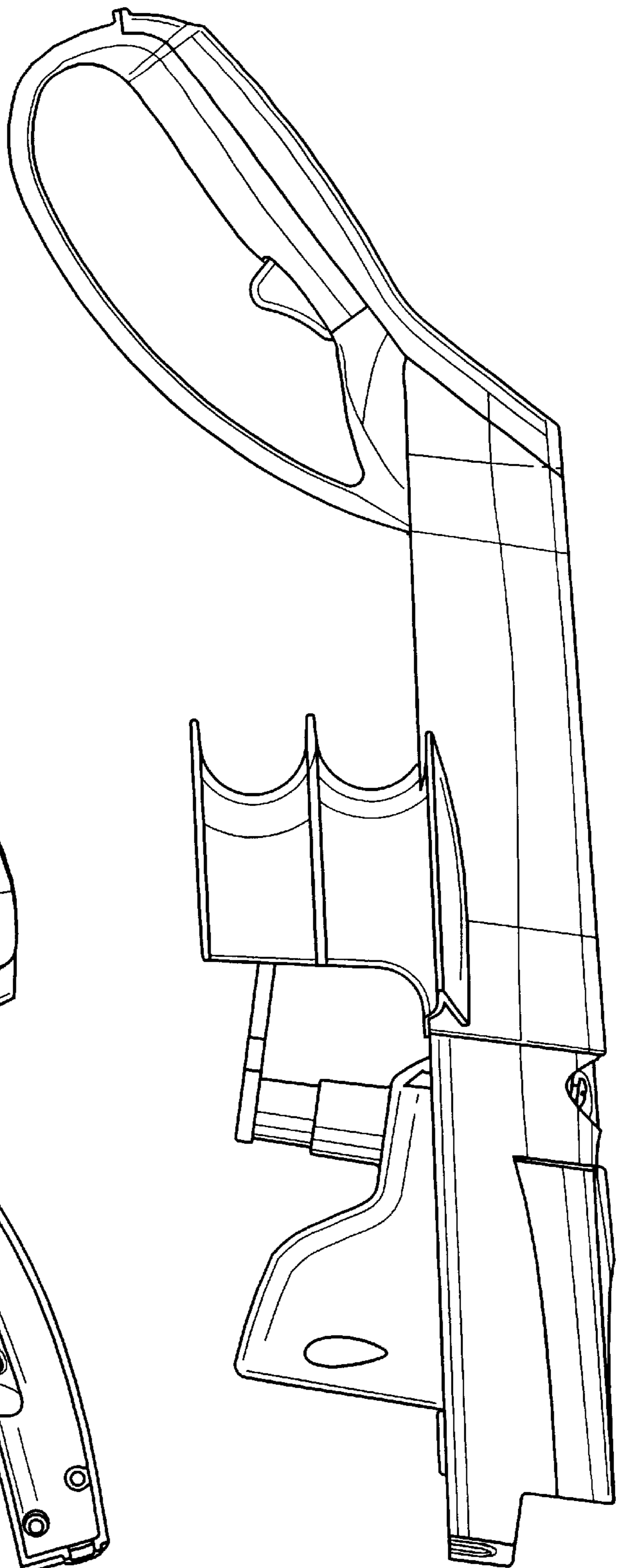


FIG. 4

FIG. 5

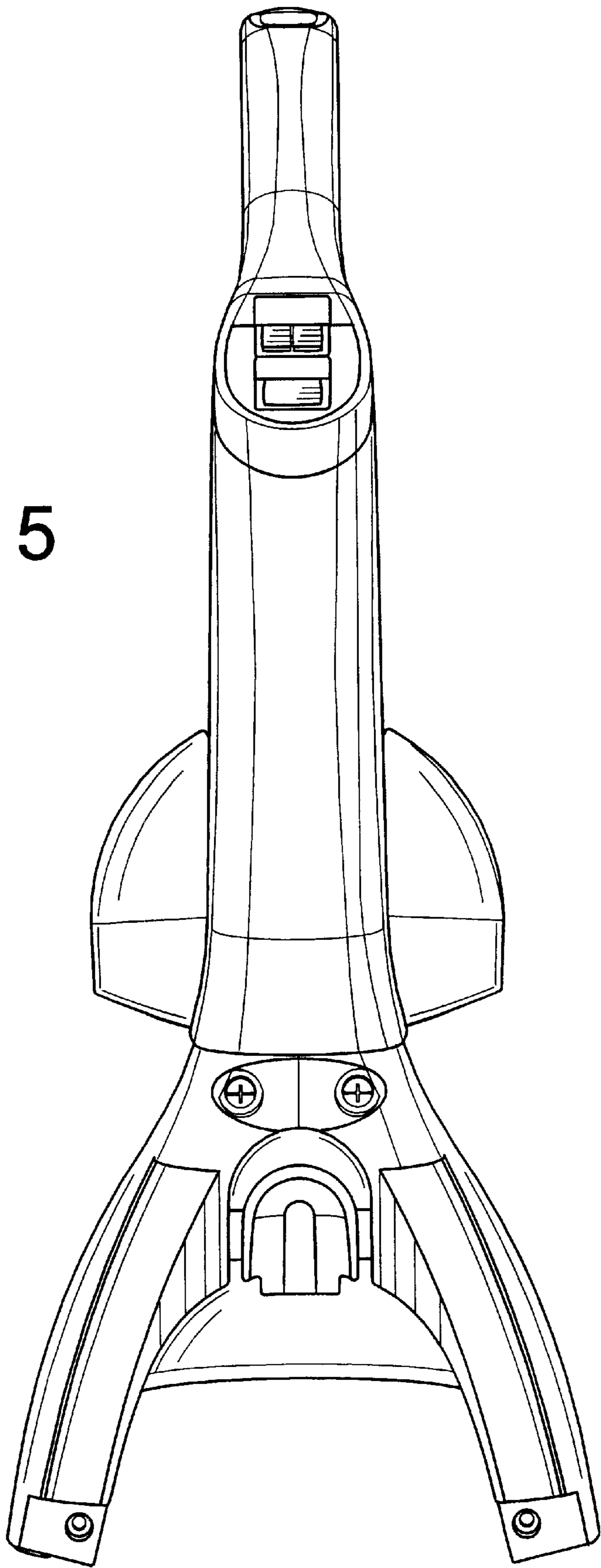


FIG. 6

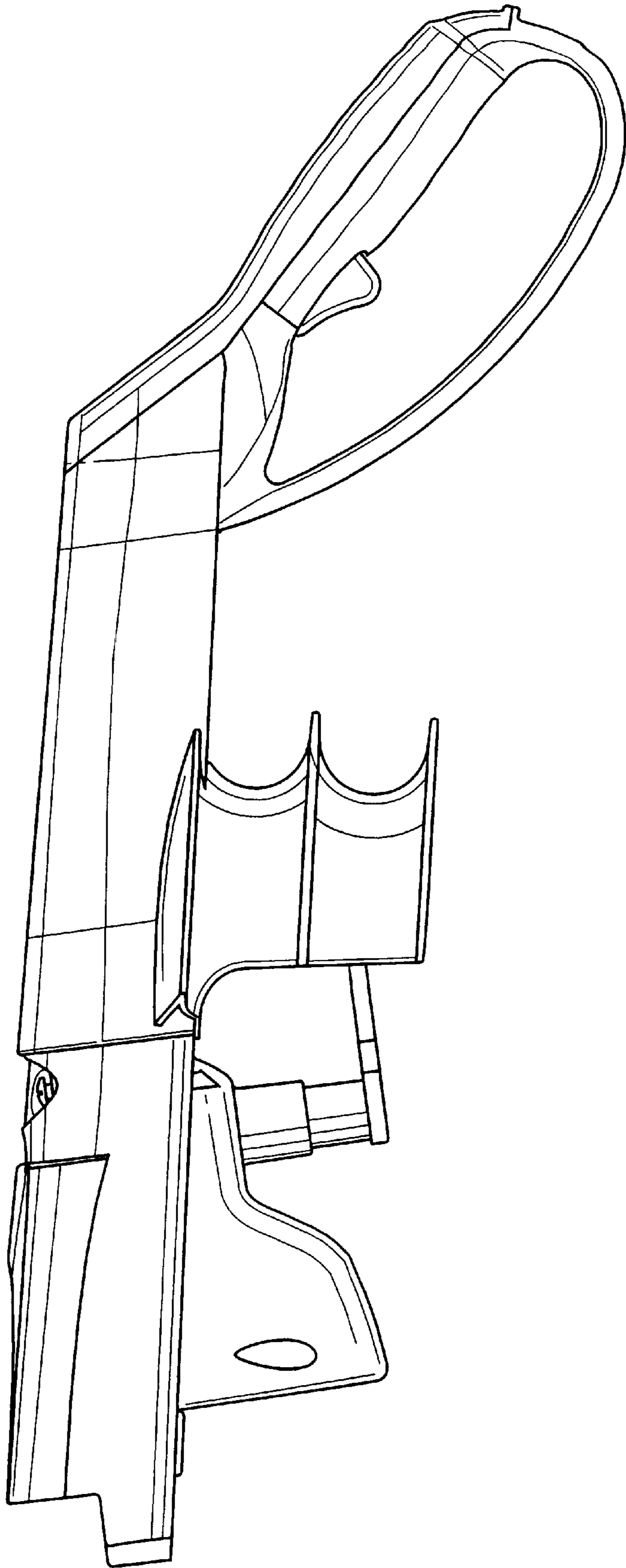


FIG. 7

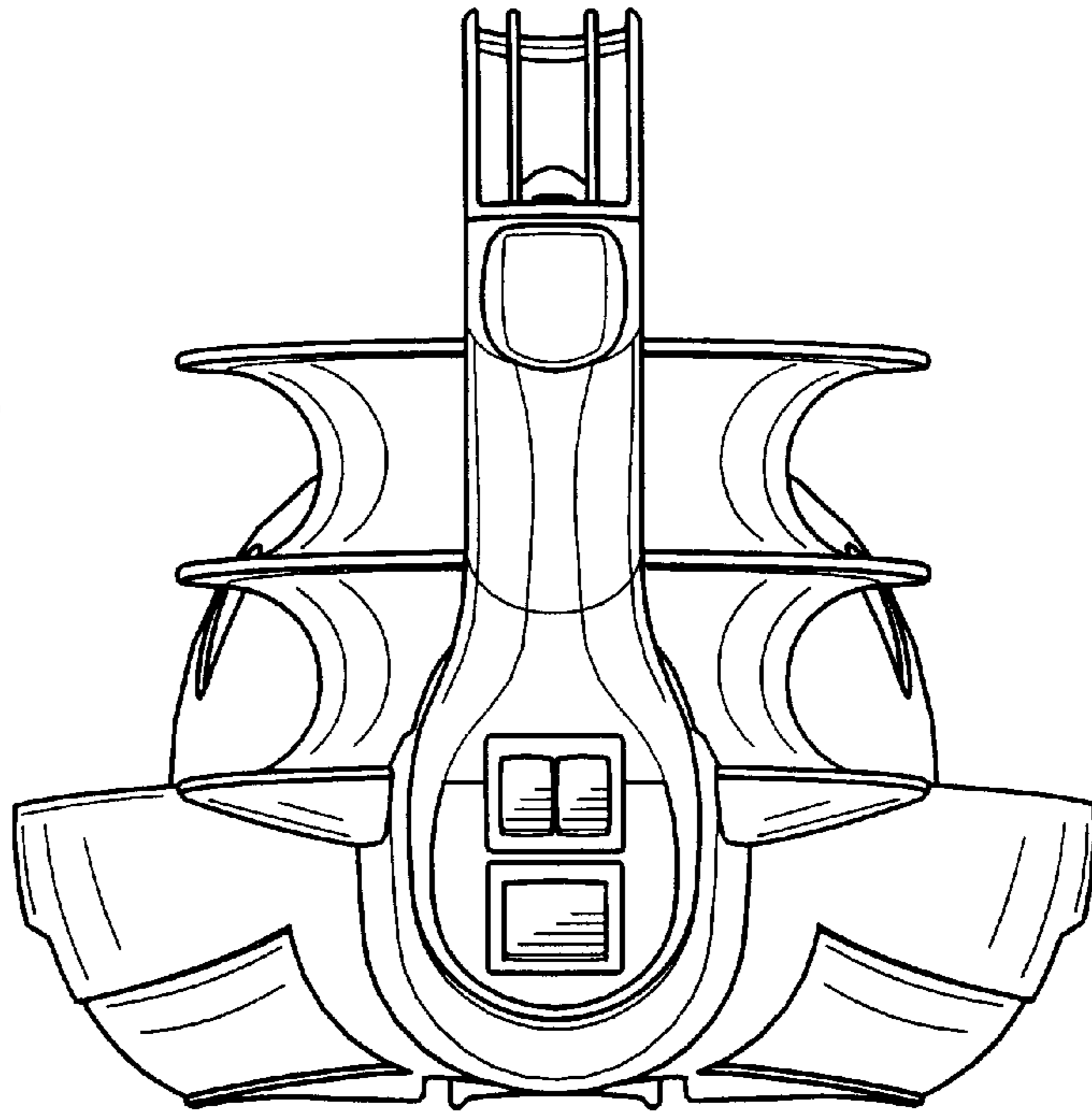


FIG. 8

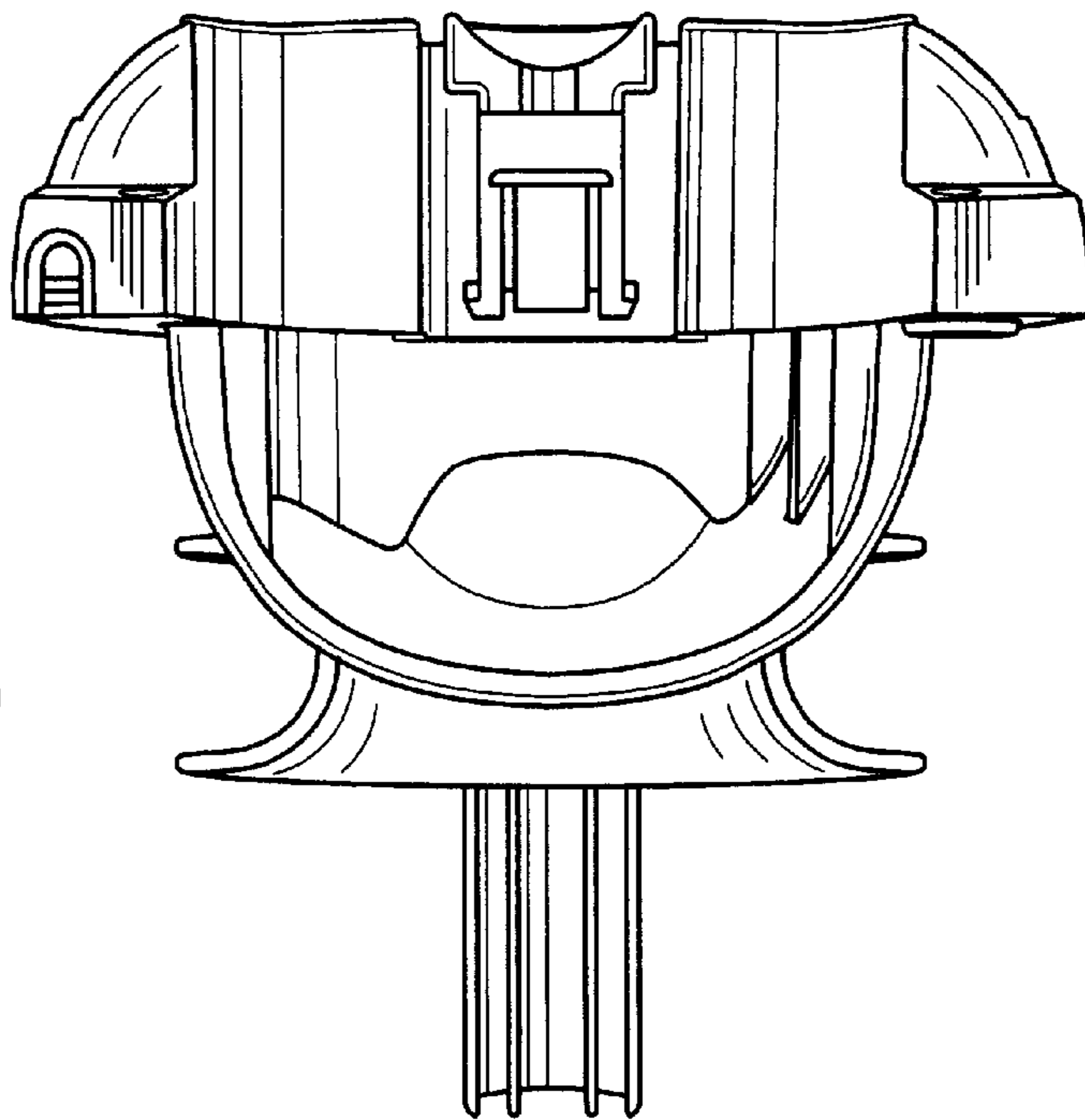


FIG. 9

