



US00D453595S

(12) **United States Design Patent**
Stephens et al.

(10) **Patent No.:** **US D453,595 S**

(45) **Date of Patent:** **** Feb. 12, 2002**

(54) **DIRT CUP FOR A VACUUM CLEANER**

(75) Inventors: **Paul D. Stephens**, Twinsburg; **Jeffrey M. Kalman**, Cleveland Hts.; **Charles J. Thur**, Chardon, all of OH (US)

(73) Assignee: **Royal Appliance Mfg. Co.**,
Glenwillow, OH (US)

(**) Term: **14 Years**

(21) Appl. No.: **29/135,436**

(22) Filed: **Jan. 11, 2001**

(51) **LOC (7) Cl.** **15-05**

(52) **U.S. Cl.** **D32/30**

(58) **Field of Search** D32/22, 25, 30-31,
D32/34; 15/320-323, 347, 350, 352-353,
DIG. 8, DIG. 10; 55/337, 429, 266, 310-311,
345, 420; 95/12, 19, 271

(56) **References Cited**

U.S. PATENT DOCUMENTS

D190,626 S	*	6/1961	Musichuk	D32/31
D343,707 S		1/1994	Dyson		
5,311,638 A	*	5/1994	Furcron et al.	15/321
5,558,697 A		9/1996	Dyson et al.		
D375,820 S		11/1996	Piccaluga et al.		
5,974,625 A		11/1999	Garner		
6,026,540 A	*	2/2000	Wright et al.	15/347
D433,201 S	*	10/2000	Wright et al.	D32/30
6,138,322 A	*	10/2000	Crouser et al.	15/337

D436,701 S	*	1/2001	Salo et al.	D32/25
D439,381 S	*	3/2001	Saunders et al.	D32/31
D442,344 S	*	5/2001	Alford et al.	D32/31
D444,275 S	*	6/2001	Mehaffey	D32/30
6,266,845	*	7/2001	Lang	15/352

* cited by examiner

Primary Examiner—Ruth McInroy

(74) *Attorney, Agent, or Firm*—Fay, Sharpe, Fagan,
Minnich & McKee, LLP

(57) **CLAIM**

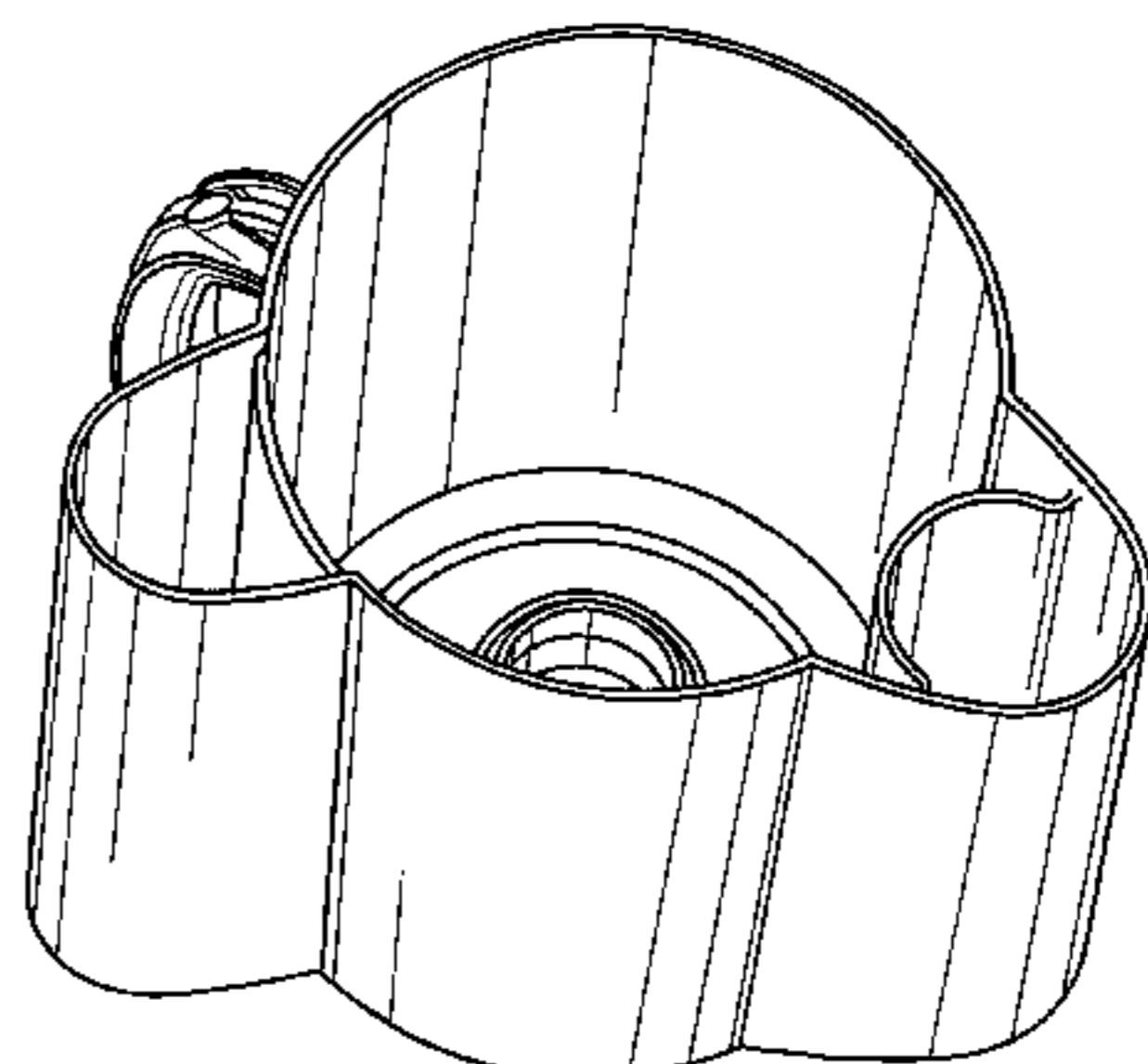
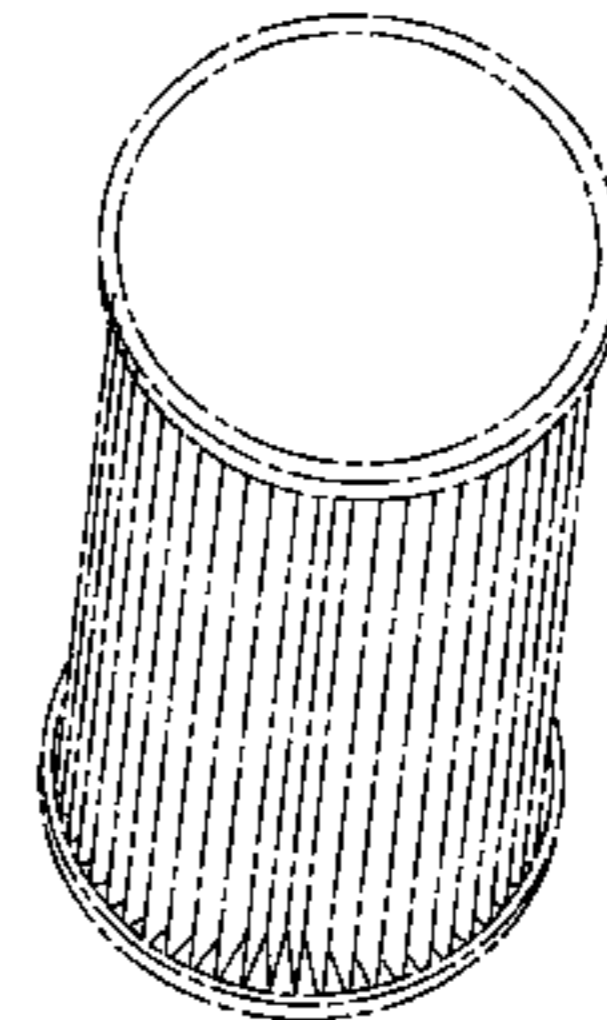
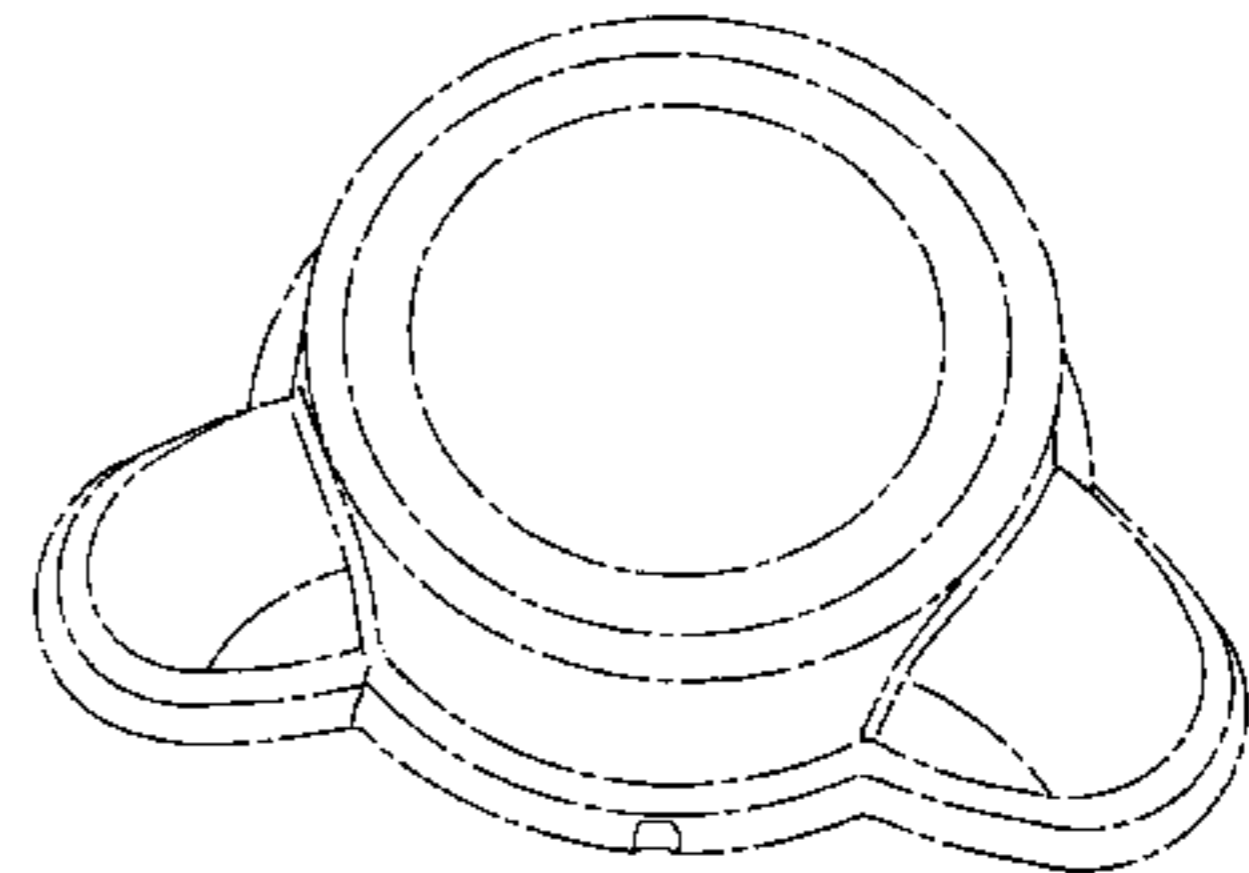
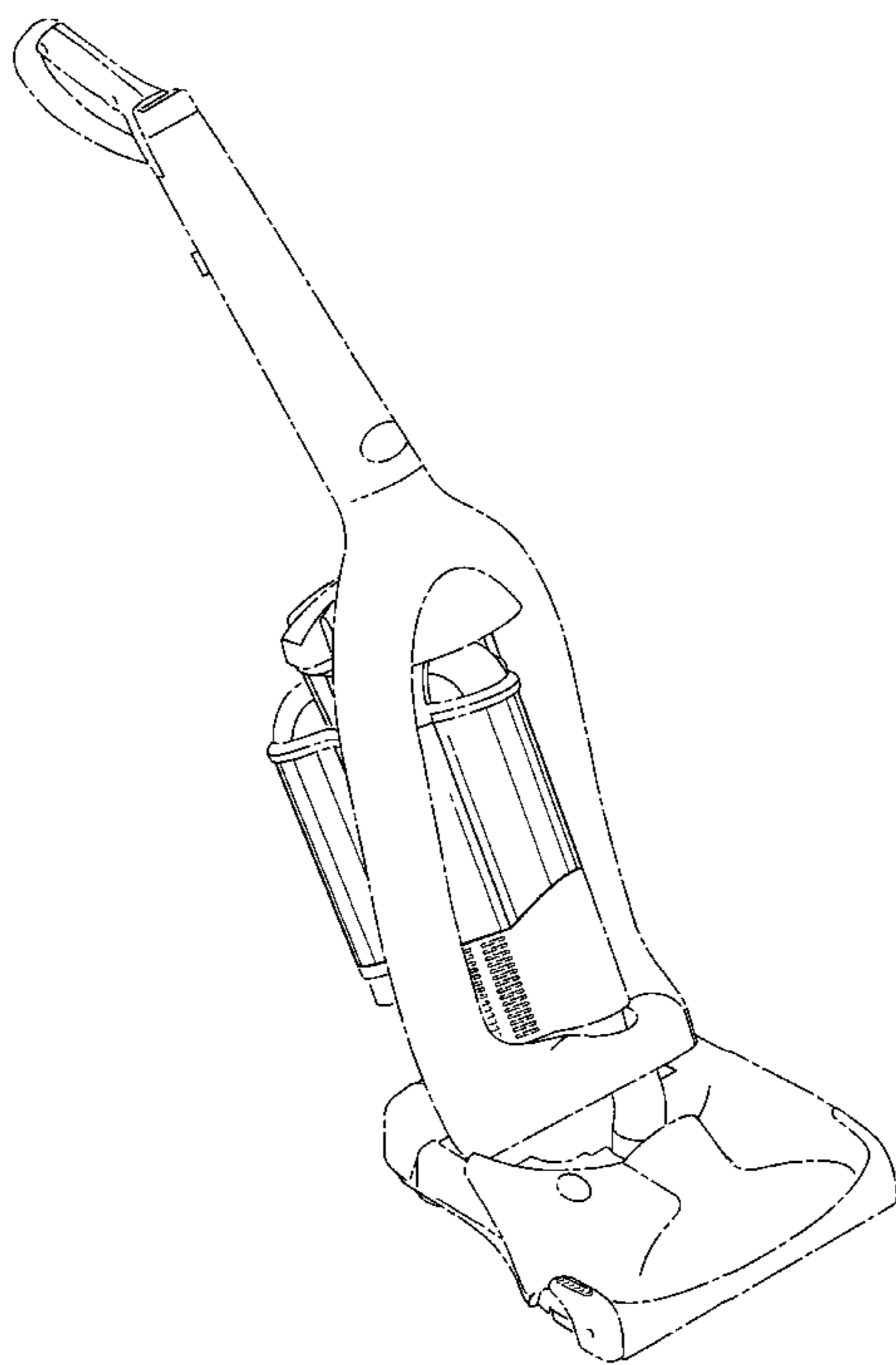
The ornamental design for a dirt cup for a vacuum cleaner,
as shown and described.

DESCRIPTION

FIG. 1 is a perspective view of a dirt cup for a vacuum cleaner showing our new design;
 FIG. 2 is an exploded perspective view of the dirt cup and its associated components;
 FIG. 3 is a perspective view of the dirt cup alone;
 FIG. 4 is a top plan view thereof;
 FIG. 5 is a left side elevational view thereof;
 FIG. 6 is a right side elevational view thereof;
 FIG. 7 is a bottom plan view thereof;
 FIG. 8 is a rear elevational view thereof; and,
 FIG. 9 is front elevational view thereof.

The vacuum cleaner parts shown in broken lines in FIGS. 1 and 2 are shown for illustrative purposes only and form no part of the claimed design.

1 Claim, 6 Drawing Sheets



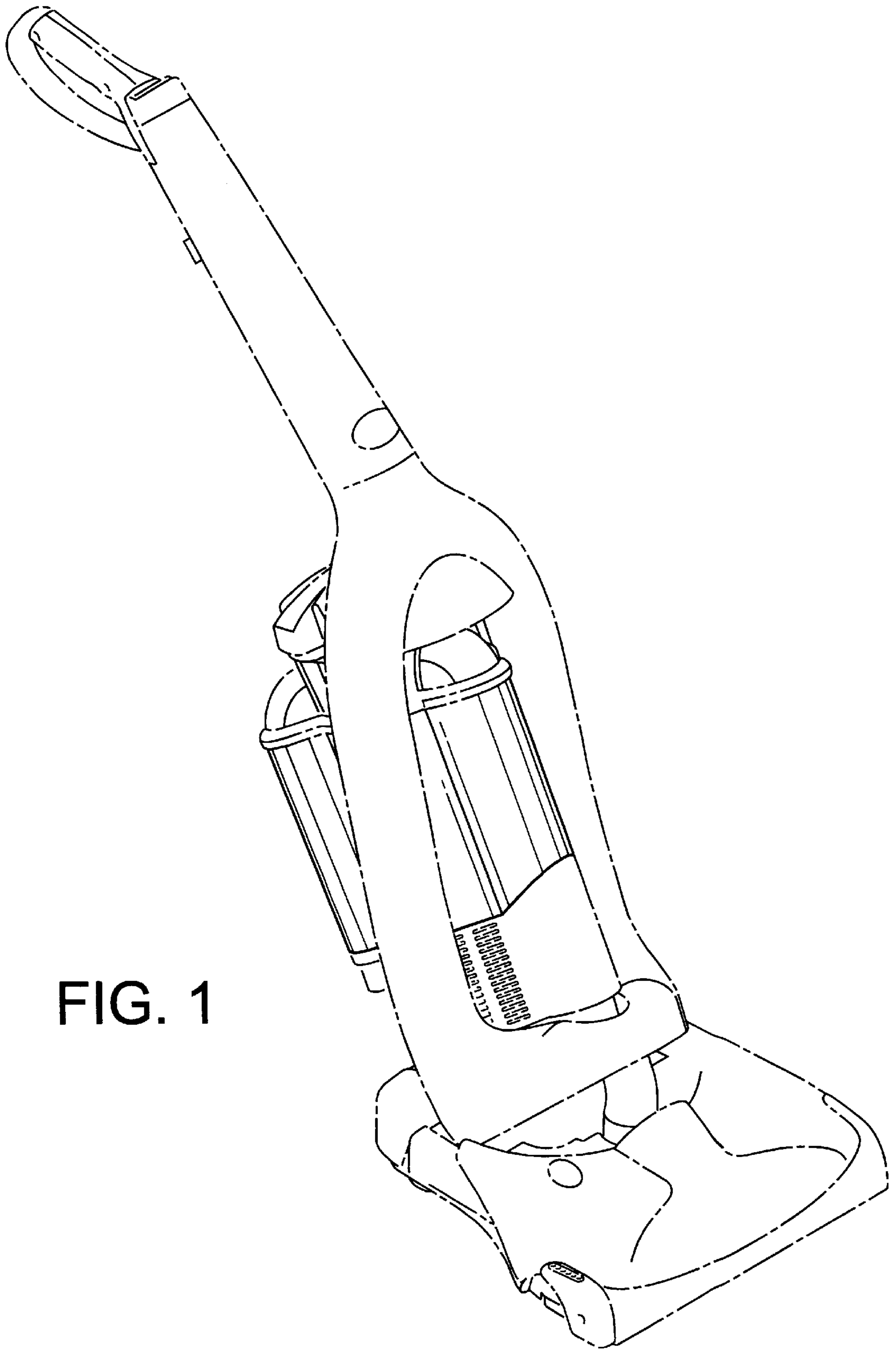


FIG. 1

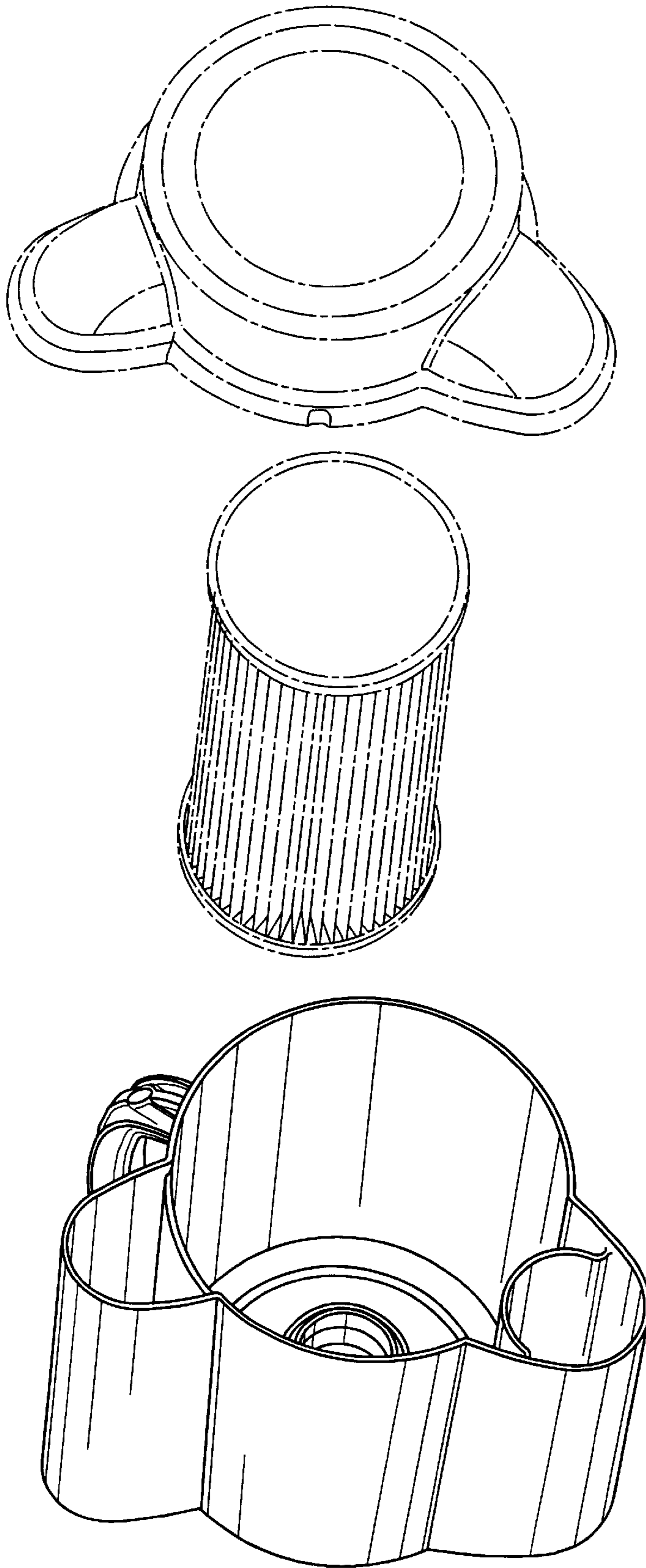


FIG. 2

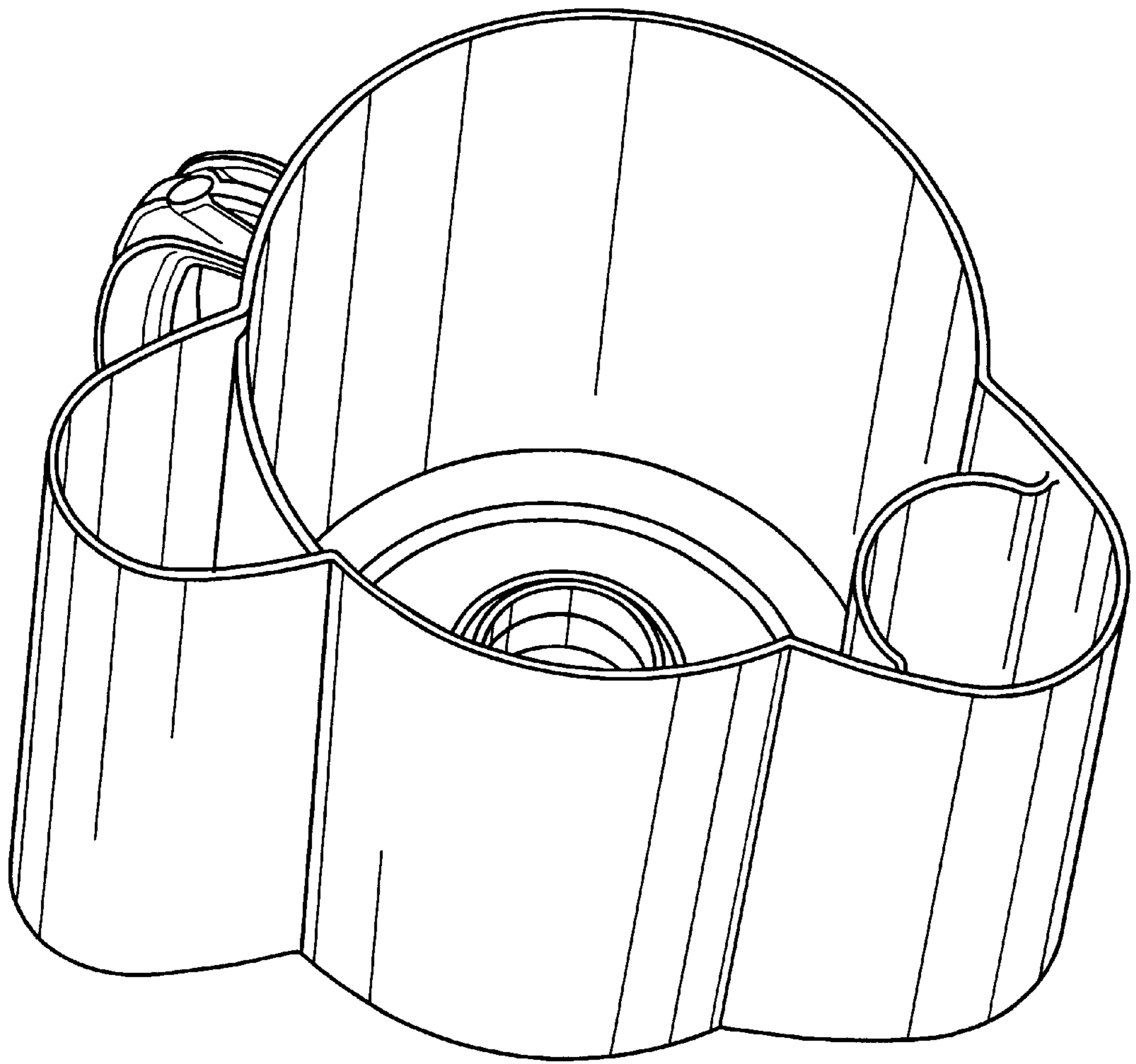


FIG. 3

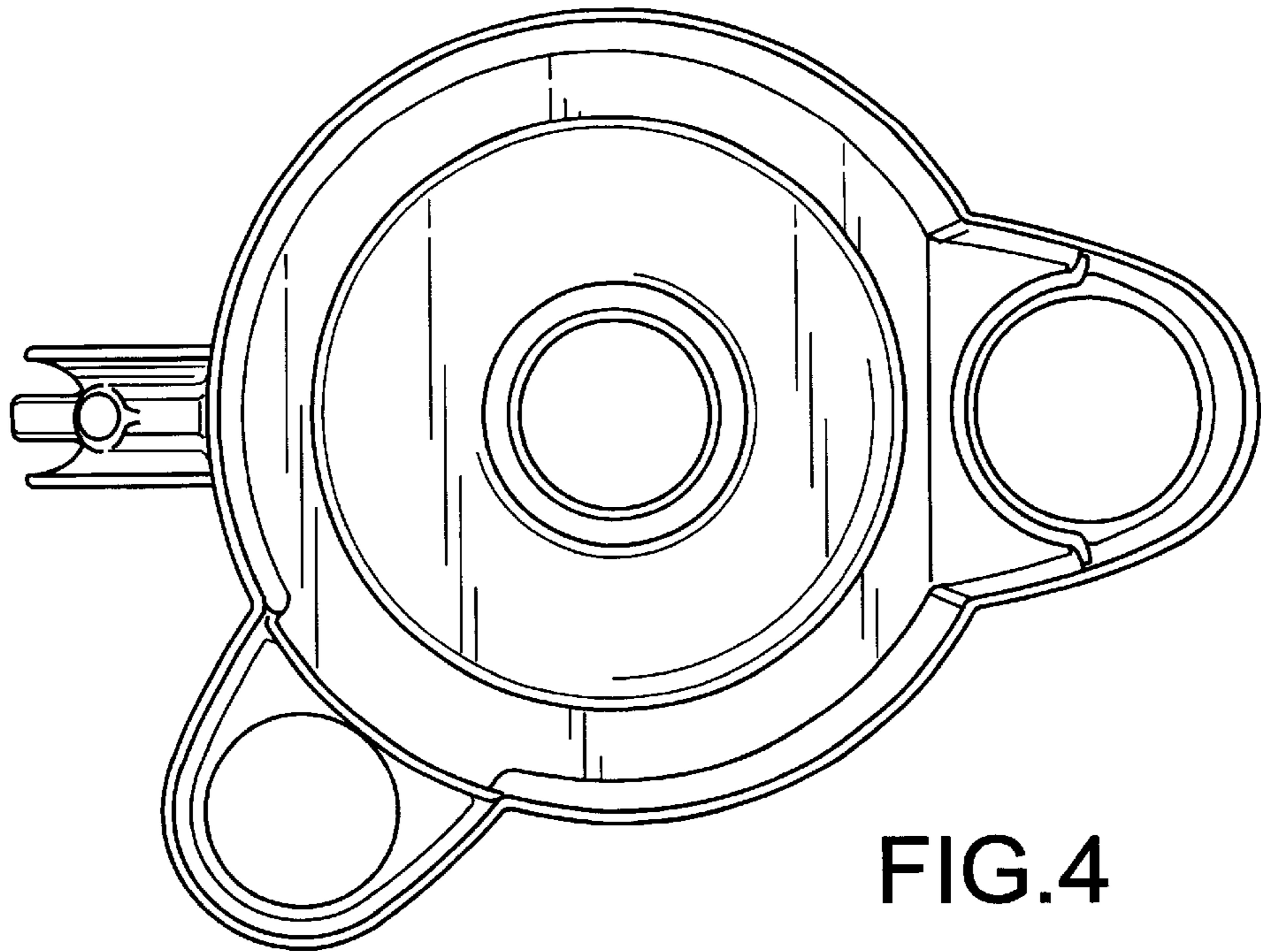


FIG.4

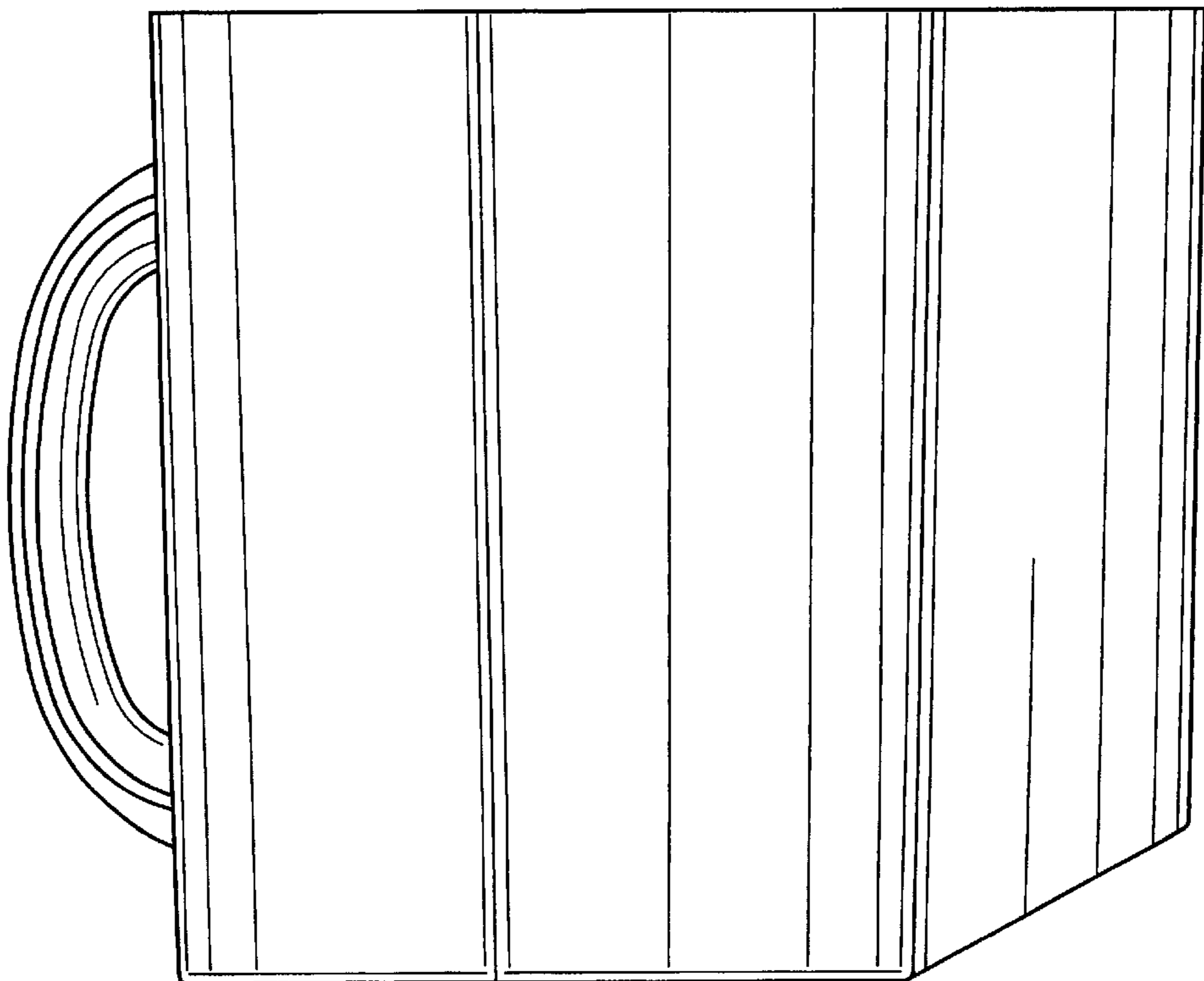


FIG.5

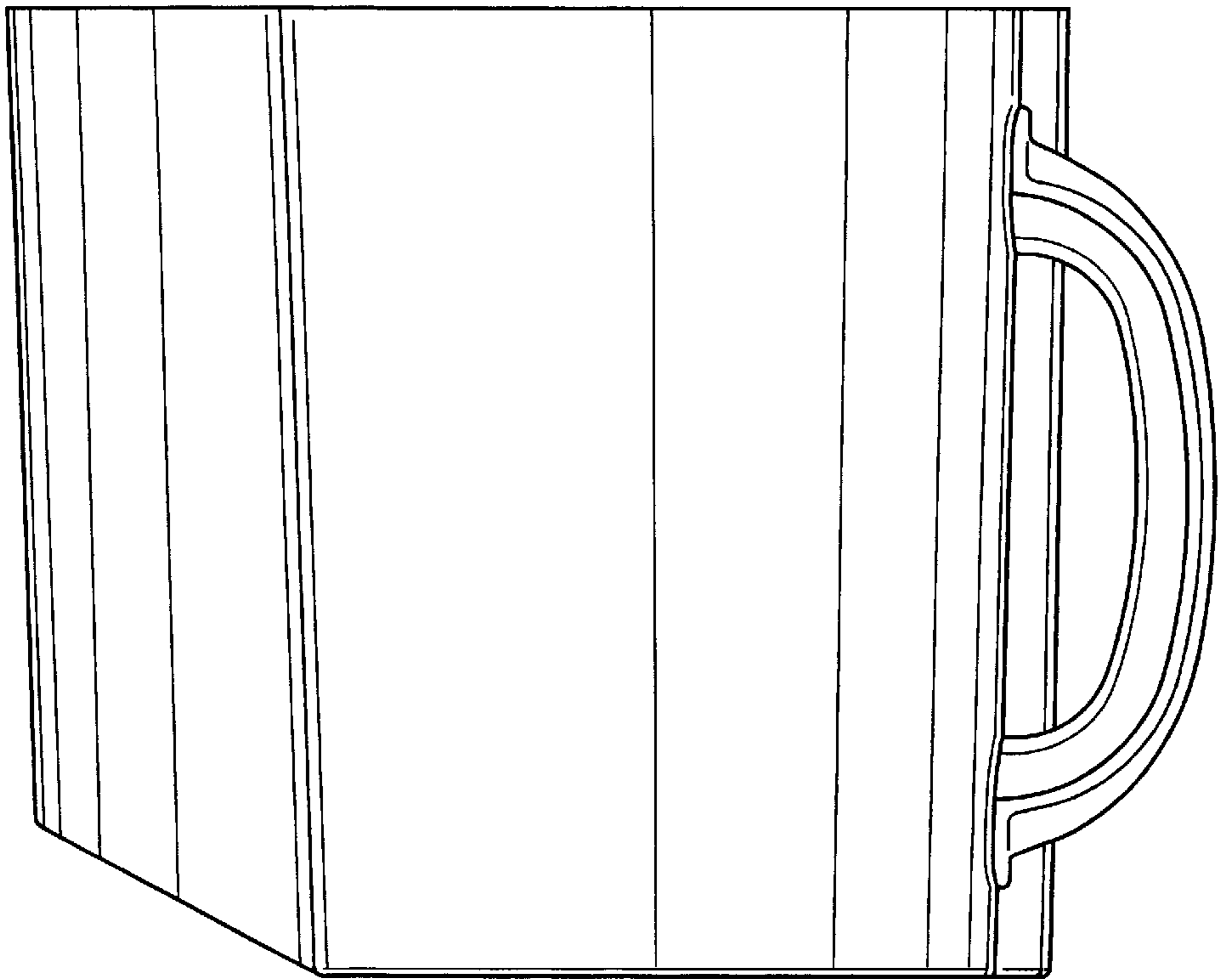


FIG. 6

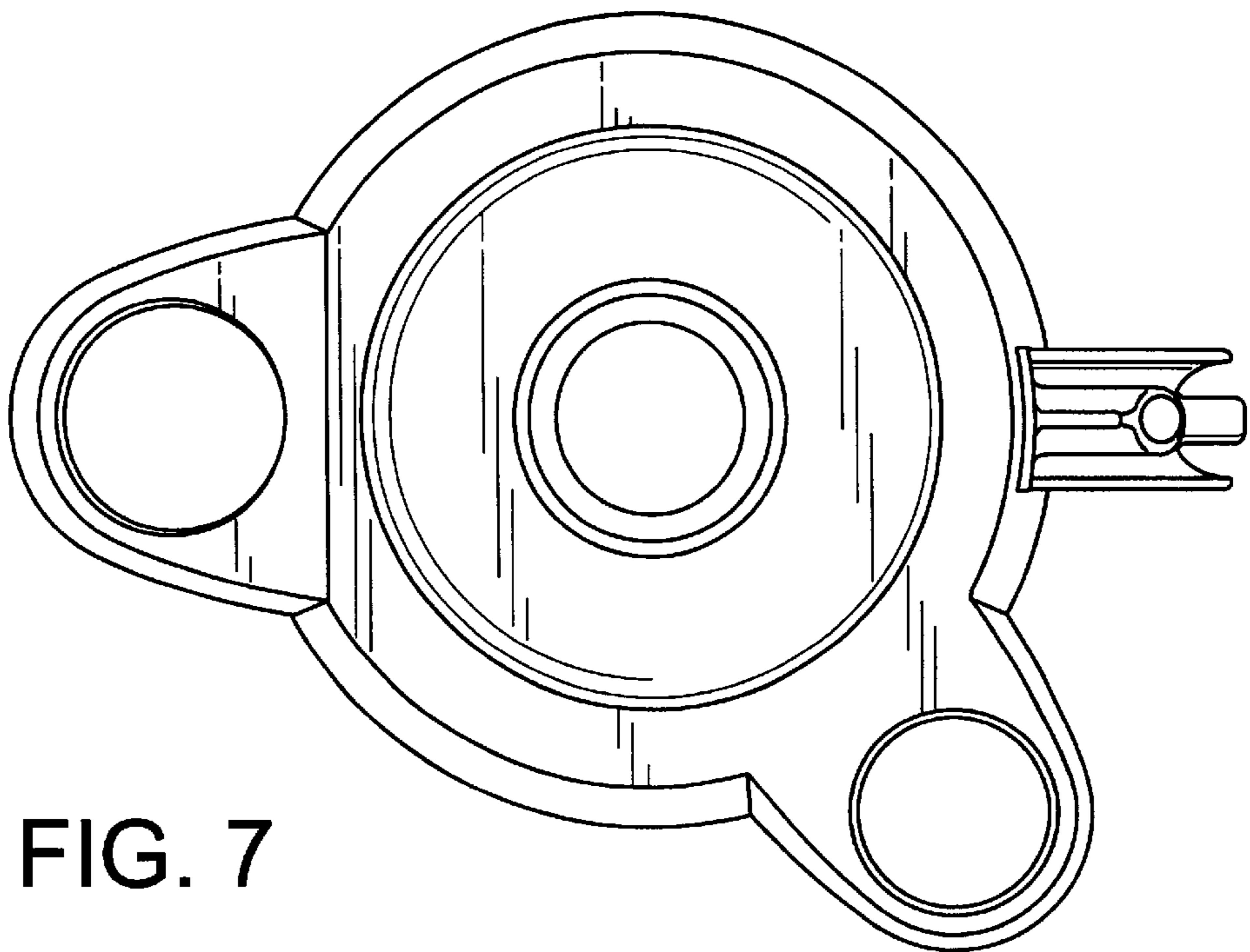


FIG. 7

FIG. 8

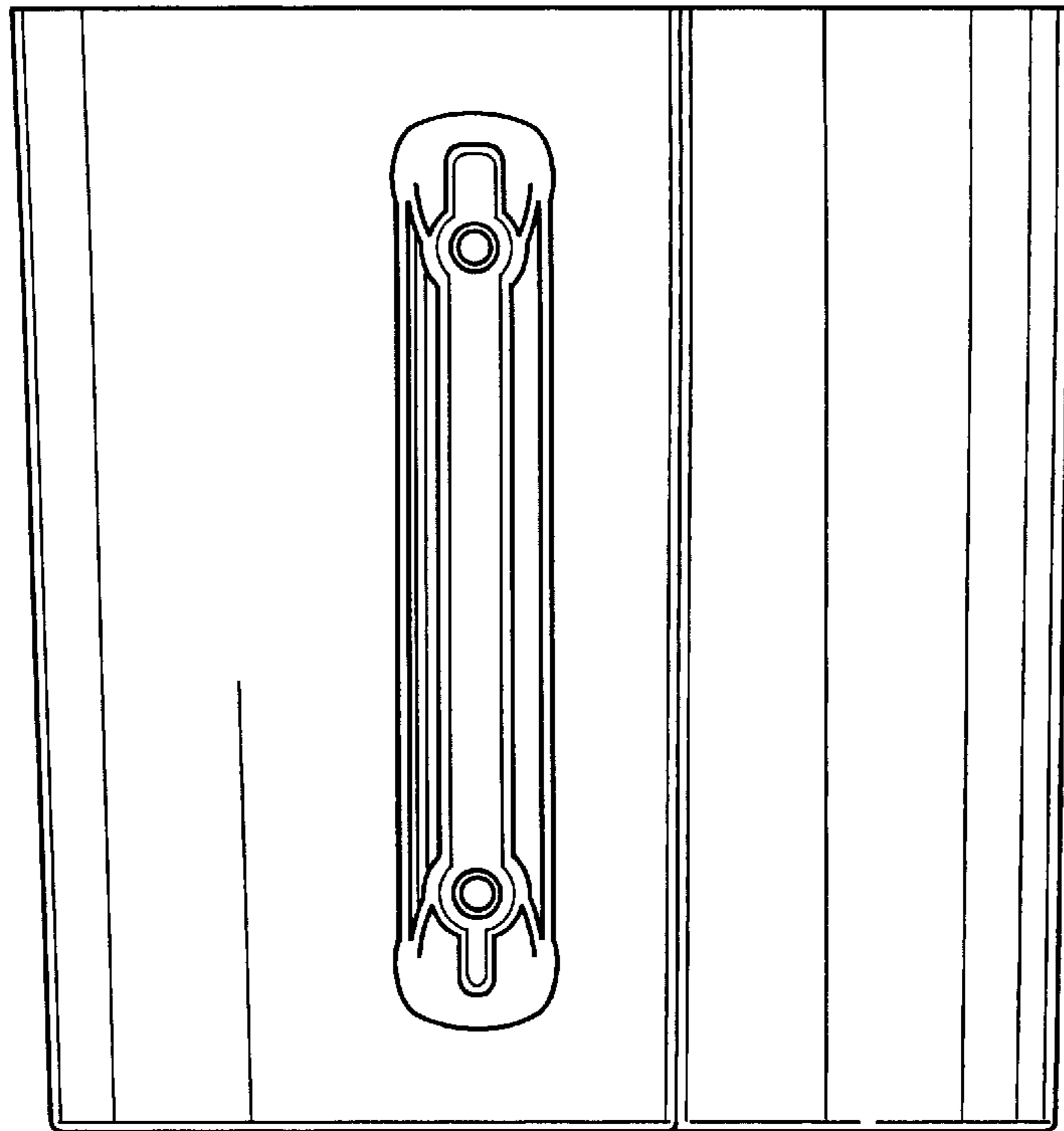


FIG. 9

