



US00D453593S

(12) **United States Design Patent**
Licciardello

(10) **Patent No.:** **US D453,593 S**

(45) **Date of Patent:** **** Feb. 12, 2002**

(54) **MOBILE PET CARRIER**

(76) **Inventor:** **Mary A. Licciardello**, 8 Greenleaf St.,
Whiting, NJ (US) 08759

(**) **Term:** **14 Years**

(21) **Appl. No.:** **29/138,497**

(22) **Filed:** **Mar. 14, 2001**

(51) **LOC (7) Cl.** **30-02**

(52) **U.S. Cl.** **D30/109**

(58) **Field of Search** D30/108-119,
D30/161; 119/28.5, 703, 706, 161, 165-170,
416, 474, 452-456, 459, 467, 408, 410,
482, 436, 496-497, 500-502; D12/129,
128; 280/648-649

(56) **References Cited**

U.S. PATENT DOCUMENTS

2,821,165	A	*	1/1958	Wright	119/500
D187,534	S	*	3/1960	Benjamin	D30/112
4,487,428	A	*	12/1984	Harada et al.	280/648
D295,276	S	*	4/1988	Brown et al.	D12/128
D299,565	S	*	1/1989	Hsu	D30/102
5,113,793	A	*	5/1992	Leader et al.	119/453
D331,131	S	*	11/1992	Quillen	D30/109
5,283,962	A	*	2/1994	Humann	119/482
5,467,734	A	*	11/1995	Ho	119/497

5,524,573	A	*	6/1996	Hart	119/489
D376,225	S	*	12/1996	Hauck	D30/109
5,901,664	A	*	5/1999	McKernan	119/453
5,988,110	A	*	11/1999	Peterson	119/453
D421,940	S	*	3/2000	Gibson et al.	D12/129
D431,884	S	*	10/2000	Moreno	D30/108
6,223,691	B1	*	5/2001	Beattie	119/453
6,230,656	B1	*	5/2001	Walach	119/496
D445,965	S	*	7/2001	Licciardello	D30/109
D445,966	S	*	7/2001	Licciardello	D30/109

* cited by examiner

Primary Examiner—Cathy Anne MacCormac

(74) *Attorney, Agent, or Firm*—Mandel & Peslak, LLC;
Arthur M. Peslak

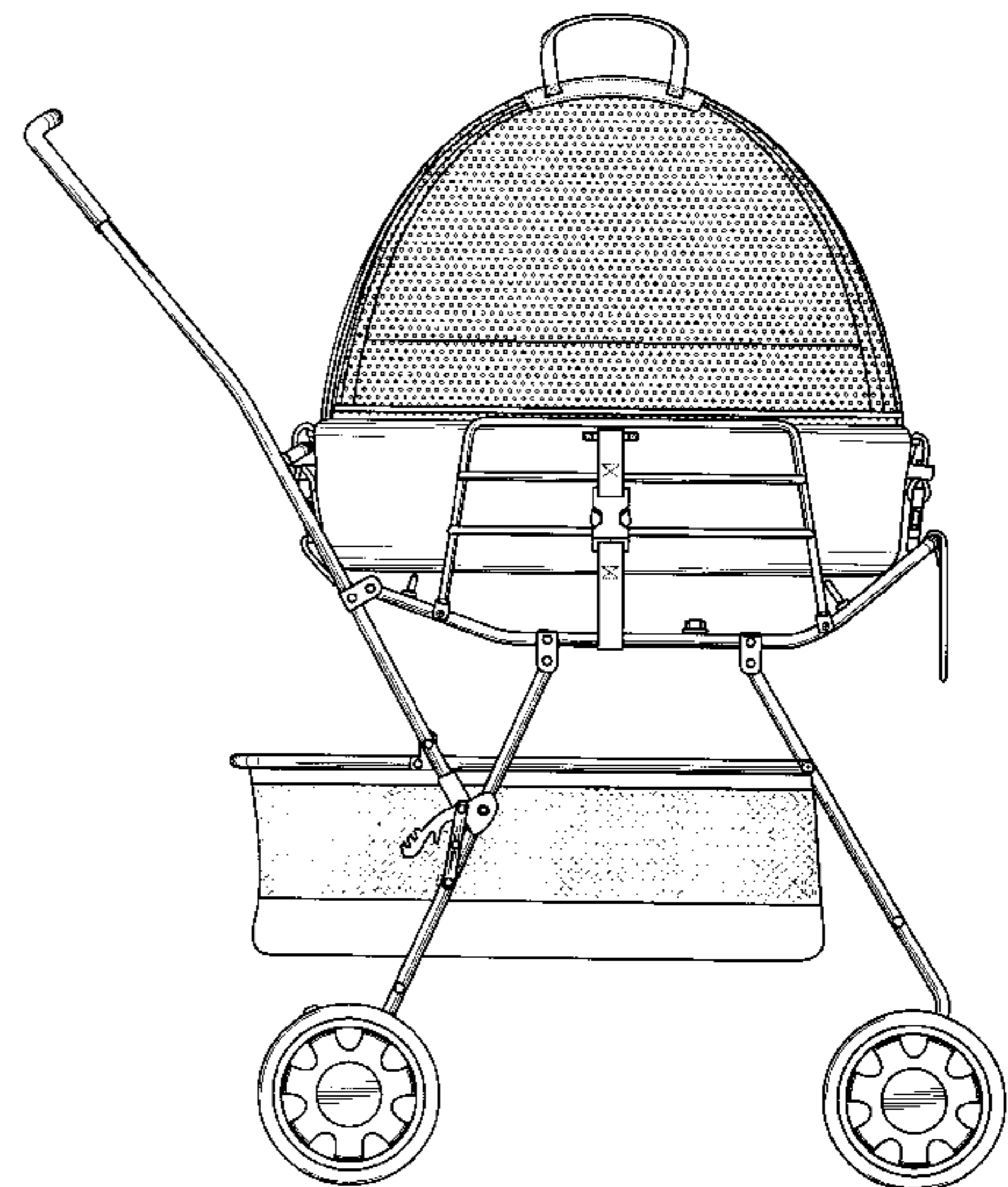
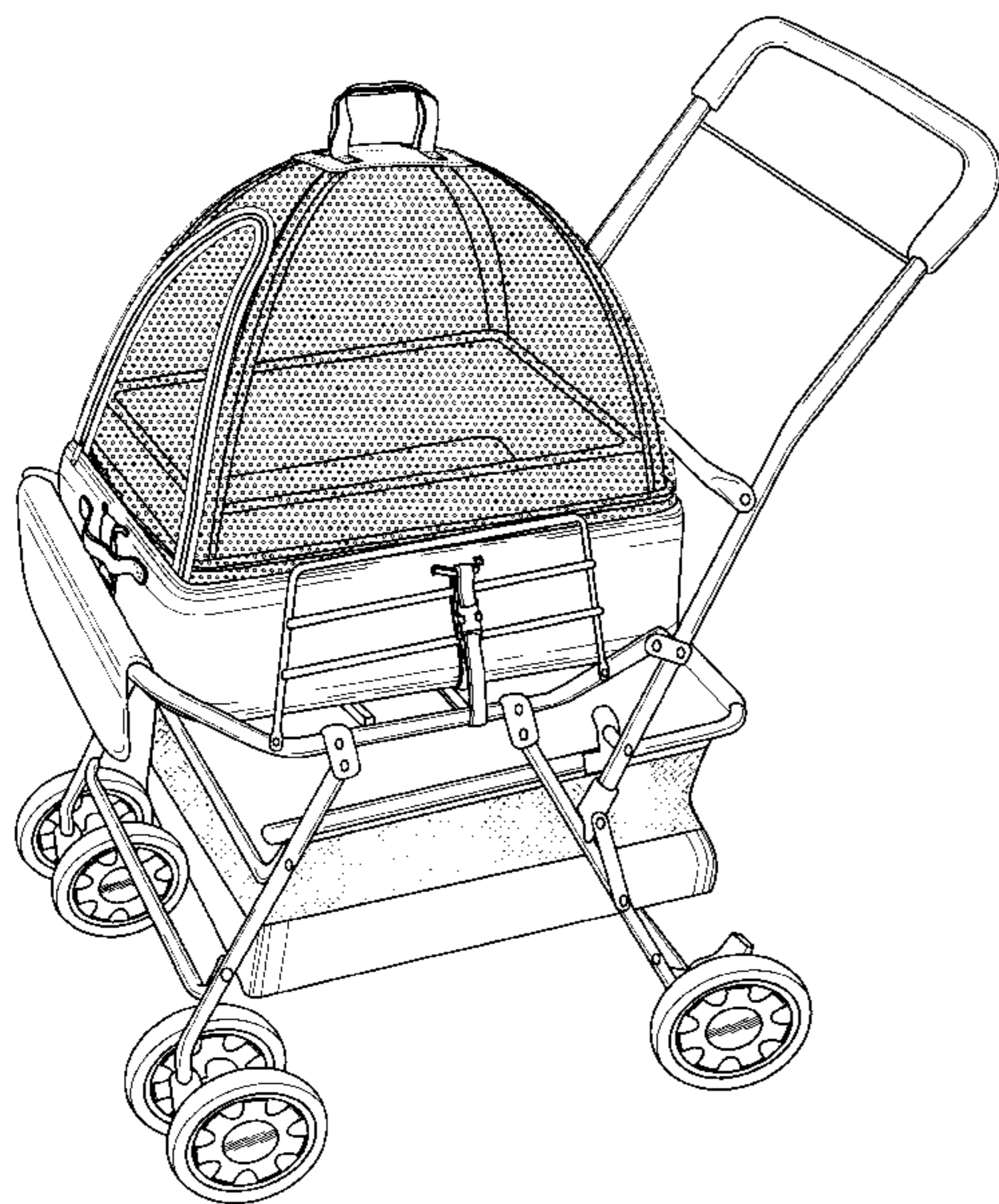
(57) **CLAIM**

What is claimed is the ornamental design for a mobile pet carrier, as shown and described.

DESCRIPTION

FIG. 1 is a side perspective view of the present invention; FIG. 2 is a front elevational view thereof; FIG. 3 is a rear elevational view thereof; FIG. 4 is a side elevational view thereof; FIG. 5 is a side elevational view thereof; FIG. 6 is a top plan view thereof; and, FIG. 7 is a bottom plan view thereof.

1 Claim, 5 Drawing Sheets



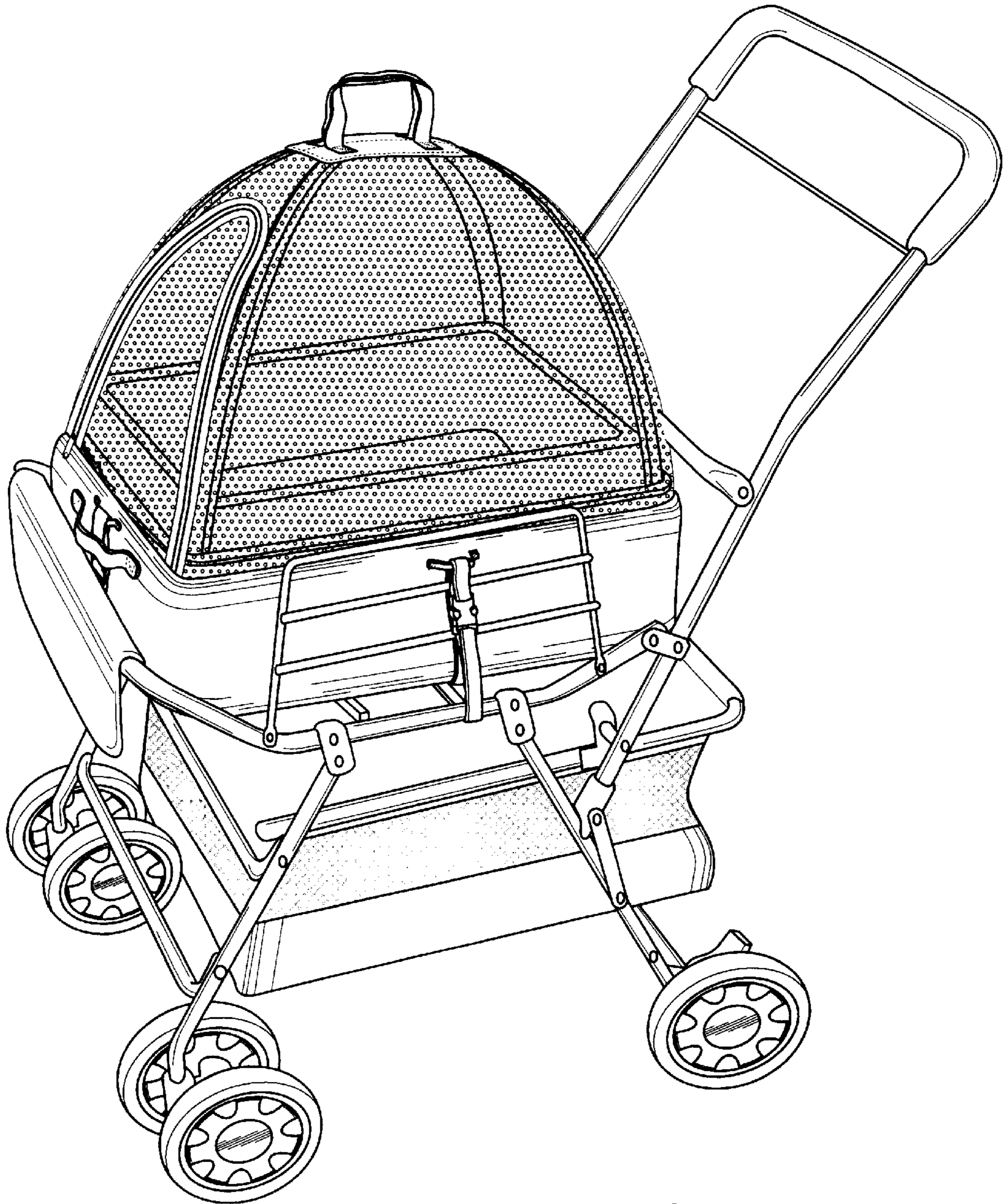


FIG. 1

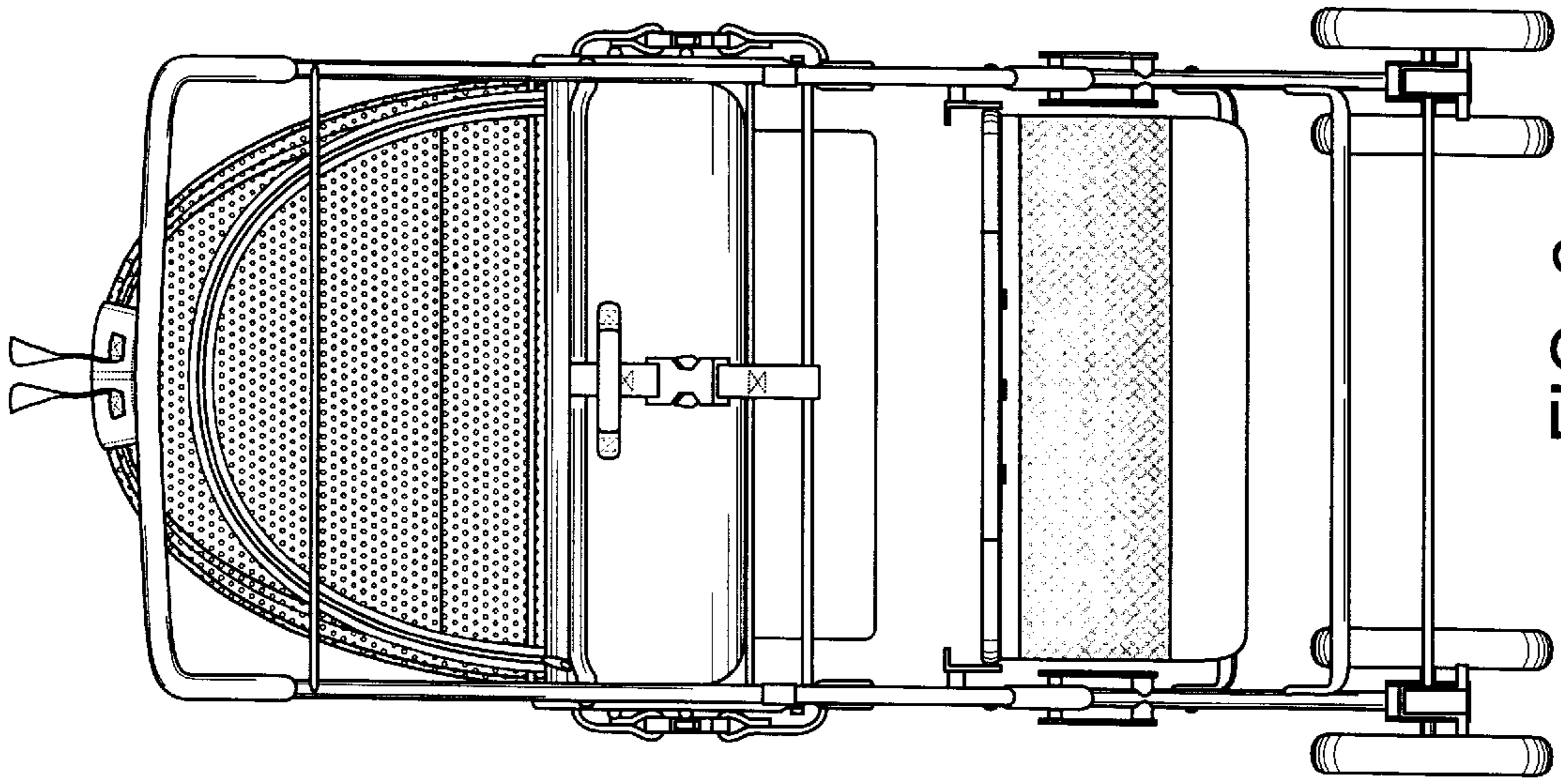


FIG. 3

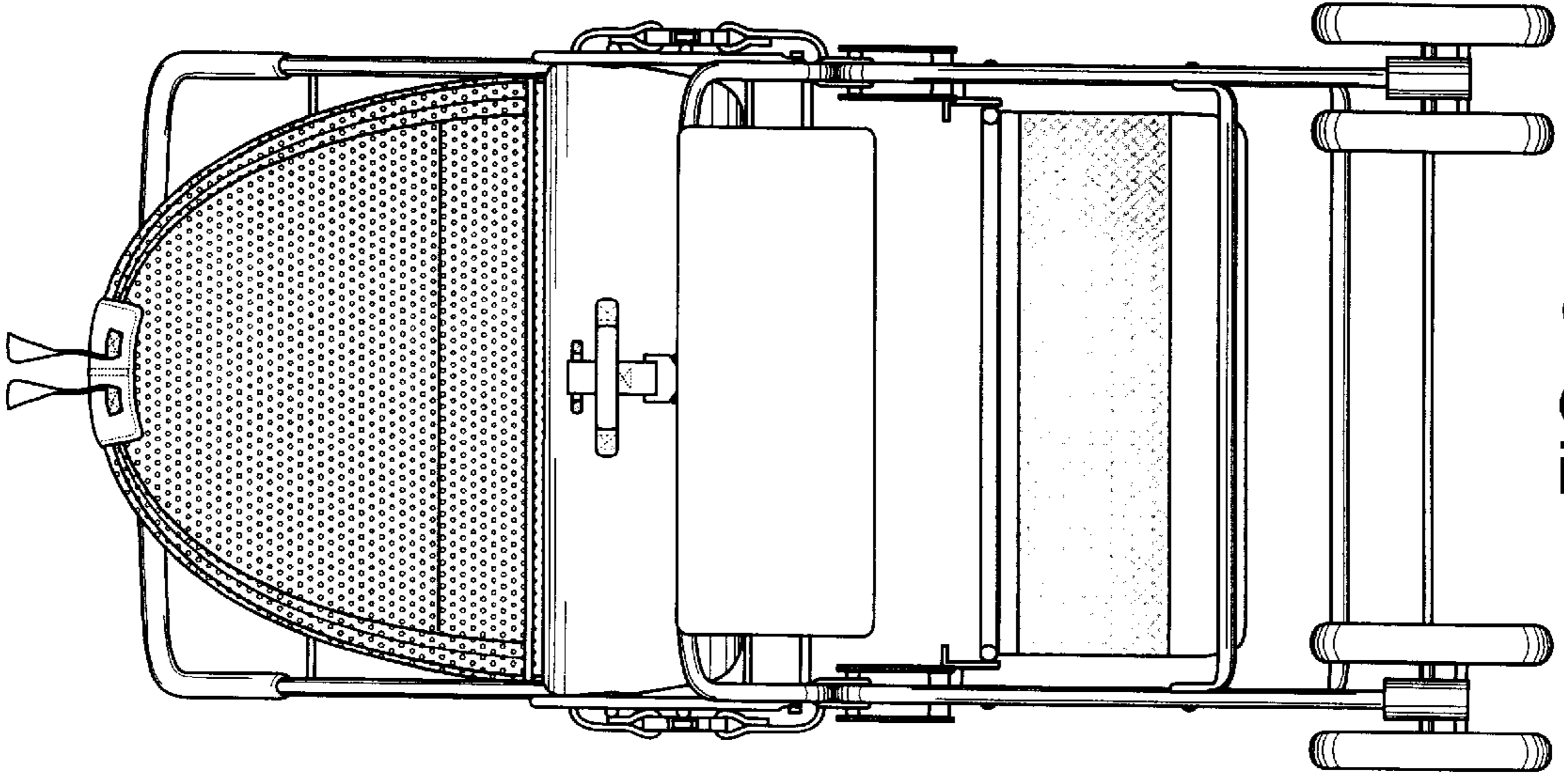


FIG. 2

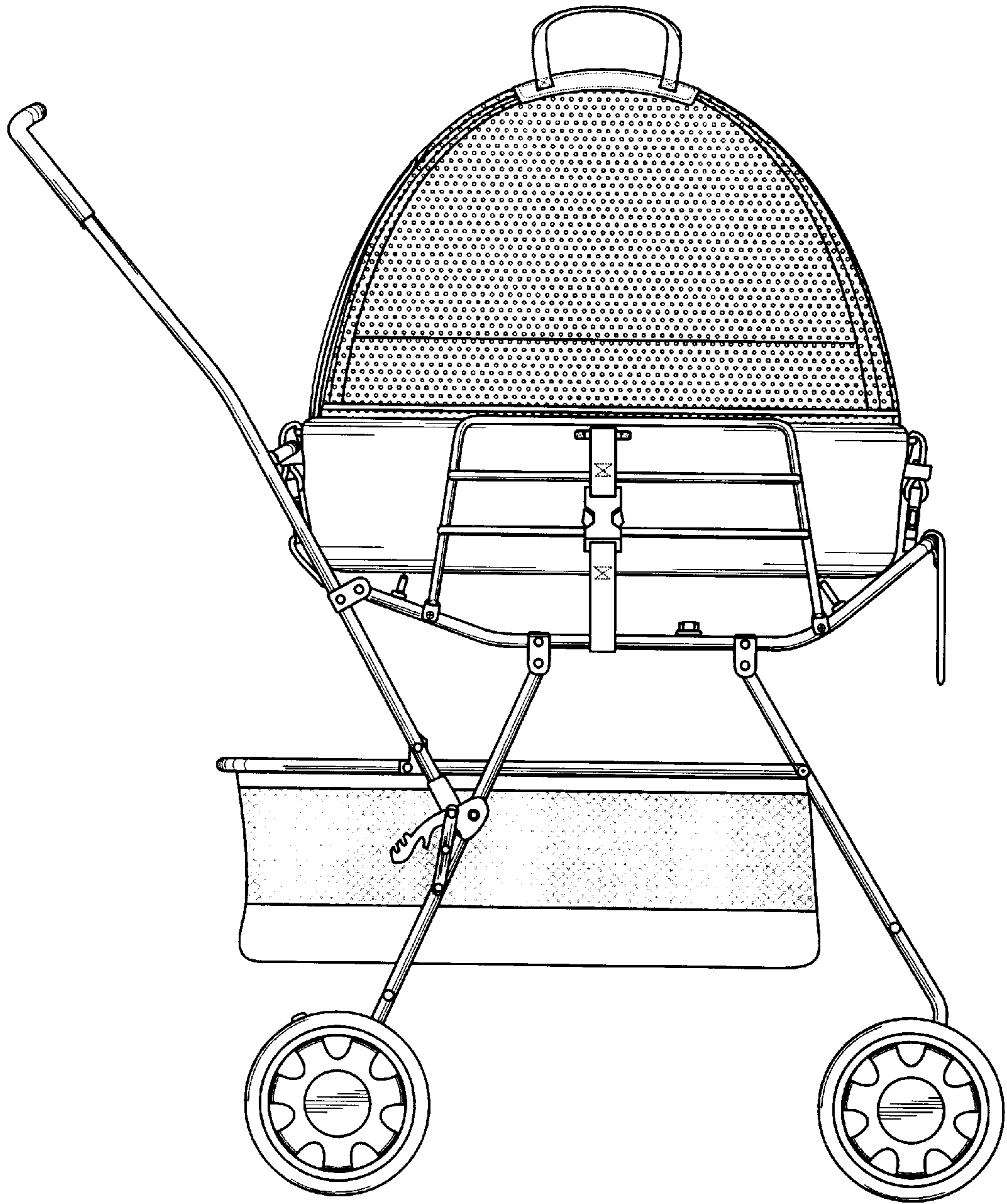


FIG. 4

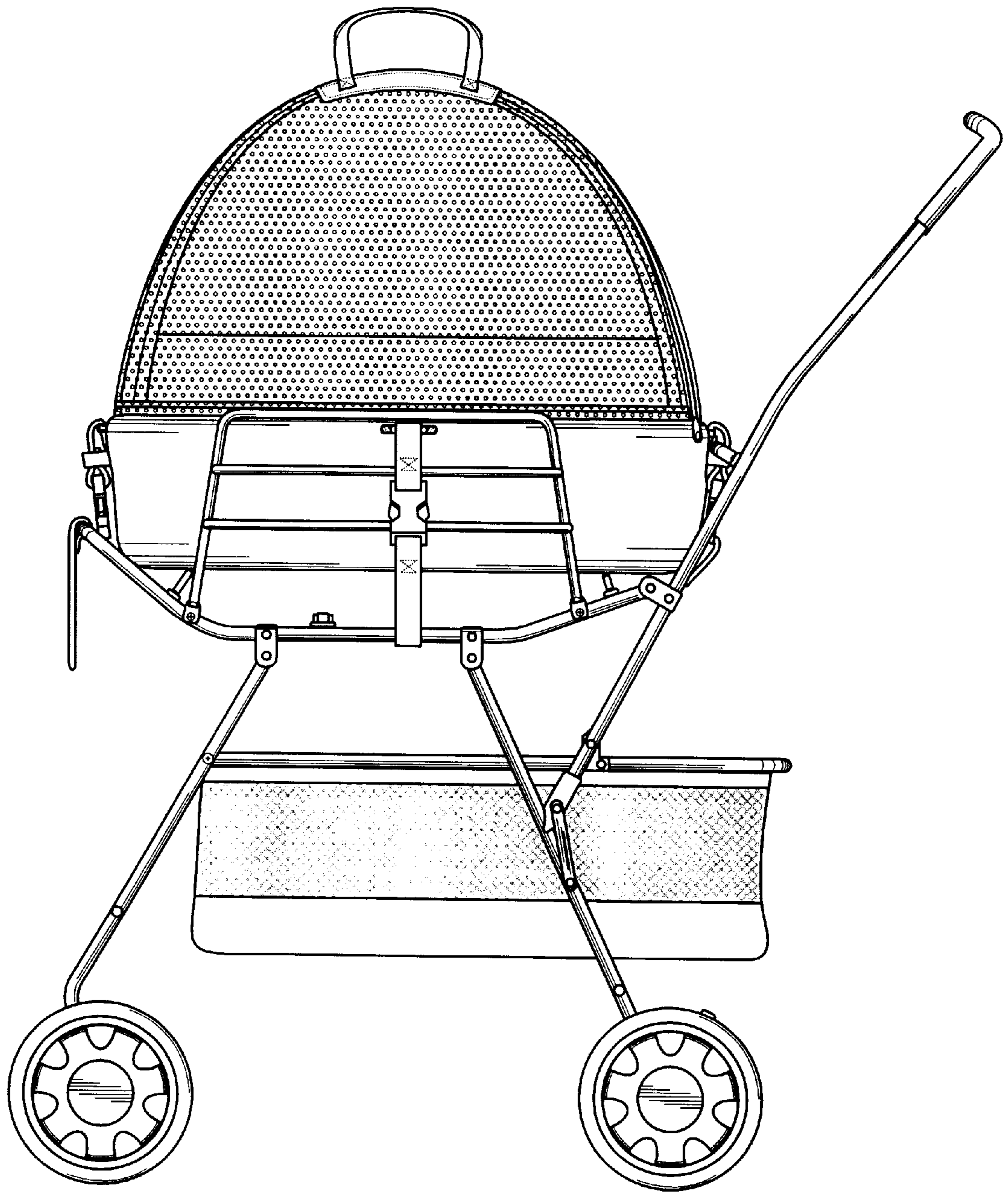


FIG. 5

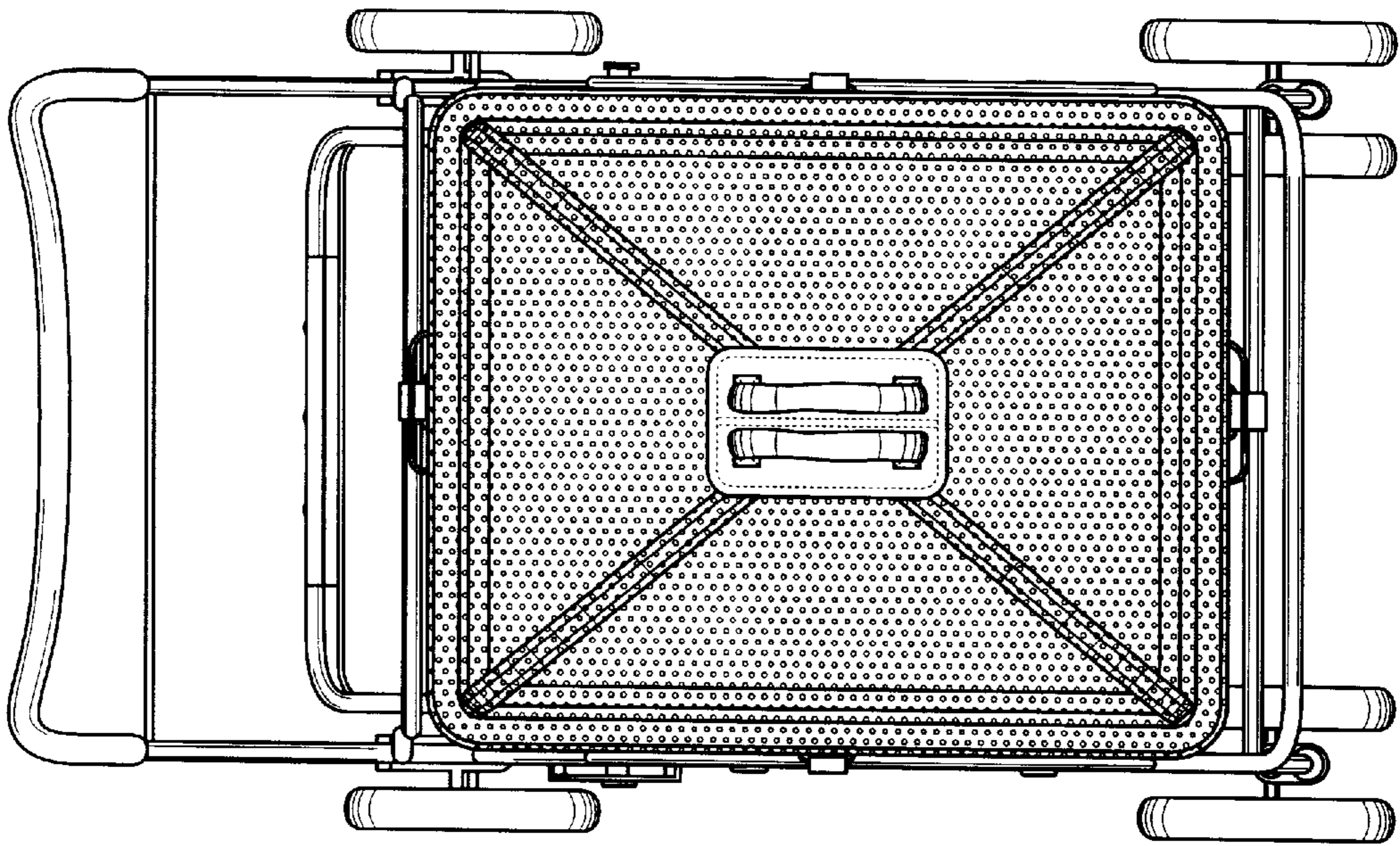


FIG. 6

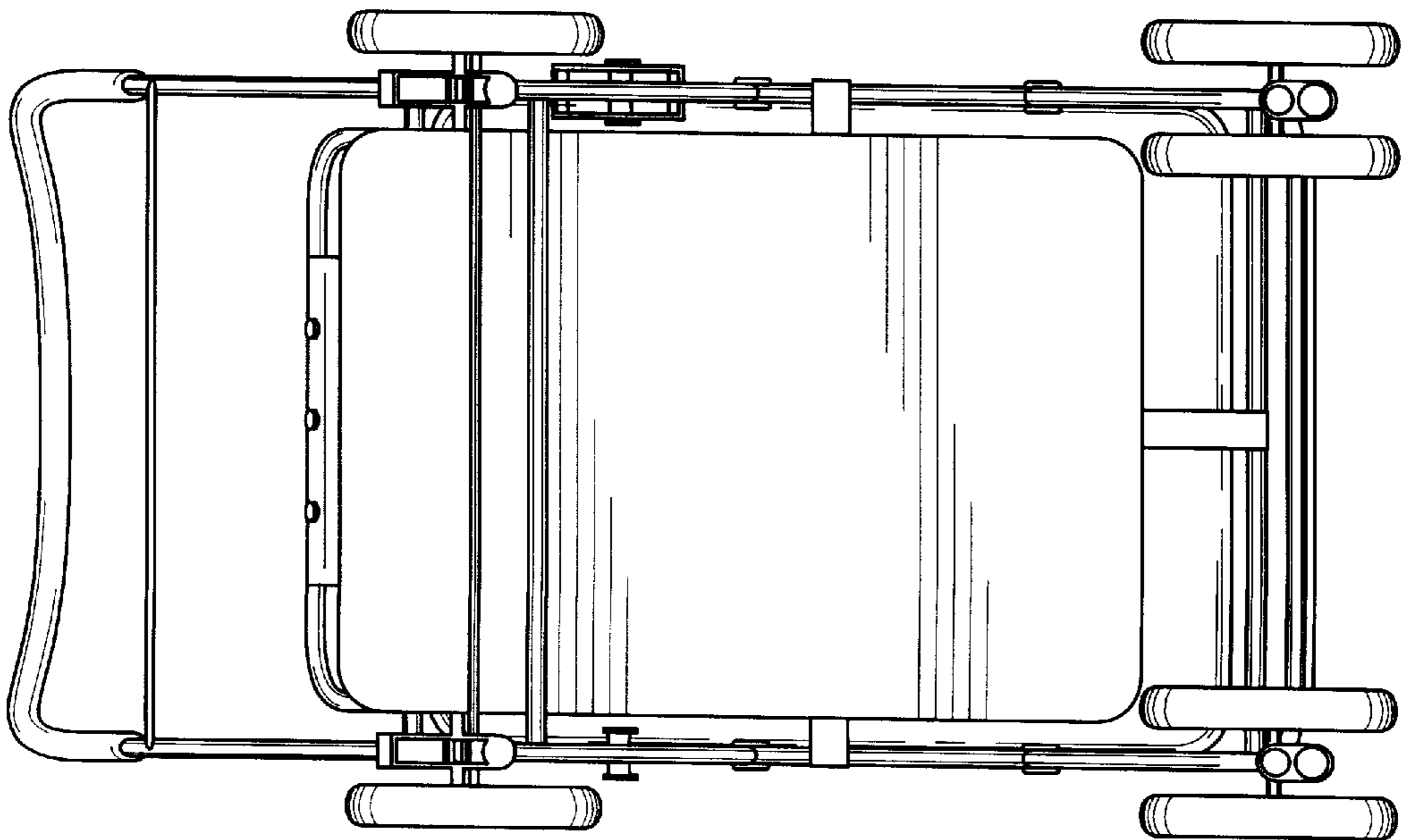


FIG. 7