



US00D453592S

(12) **United States Design Patent**
Ross

(10) **Patent No.:** **US D453,592 S**

(45) **Date of Patent:** **** Feb. 12, 2002**

(54) **PET CARRIER**

(75) **Inventor:** **Allan G. Ross, Masury, OH (US)**

(73) **Assignee:** **Alco Industries, Inc., Valley Forge, PA (US)**

(**) **Term:** **14 Years**

(21) **Appl. No.:** **29/135,488**

(22) **Filed:** **Jan. 12, 2001**

(51) **LOC (7) Cl.** **30-02**

(52) **U.S. Cl.** **D30/109**

(58) **Field of Search** D30/108-119,
D30/161; 119/28.5, 703, 706, 161, 165-166,
168-170, 416, 474, 452-456, 459, 467,
482, 436, 496-497, 500-502, 408, 410

(56) **References Cited**

U.S. PATENT DOCUMENTS

299,844 A *	6/1884	Paine	D30/116
3,407,961 A *	10/1968	Box	D30/114
D218,443 S *	8/1970	Taylor	D30/114
D229,948 S *	1/1974	Box	D30/114
D239,948 S *	5/1976	Perkins	D30/109
4,282,829 A *	8/1981	Tweed	119/452
4,342,393 A *	8/1982	Box	119/453

D294,985 S *	3/1988	Blieden	D30/109
D295,276 S *	4/1988	Brown et al.	D30/109
4,763,607 A *	8/1988	Tominaga	119/452
D298,870 S *	12/1988	Heisler	D30/109
D328,201 S *	7/1992	Ryaa	D3/282
D333,537 S *	2/1993	Muse, Jr.	D30/114
5,803,018 A *	9/1998	Liou	119/474
6,032,614 A *	3/2000	Tominaga	119/452
D445,966 S *	7/2001	Licciardello	D30/109

* cited by examiner

Primary Examiner—Cathy Anne MacCormac

(74) *Attorney, Agent, or Firm*—Webb Ziesenheim Logsdon
Orkin & Hanson, P.C.

(57) **CLAIM**

The ornamental design for a pet carrier, as shown.

DESCRIPTION

FIG. 1 is a perspective view of a pet carrier showing my new design;

FIG. 2 is a front elevation view thereof;

FIG. 3 is a rear elevation view thereof;

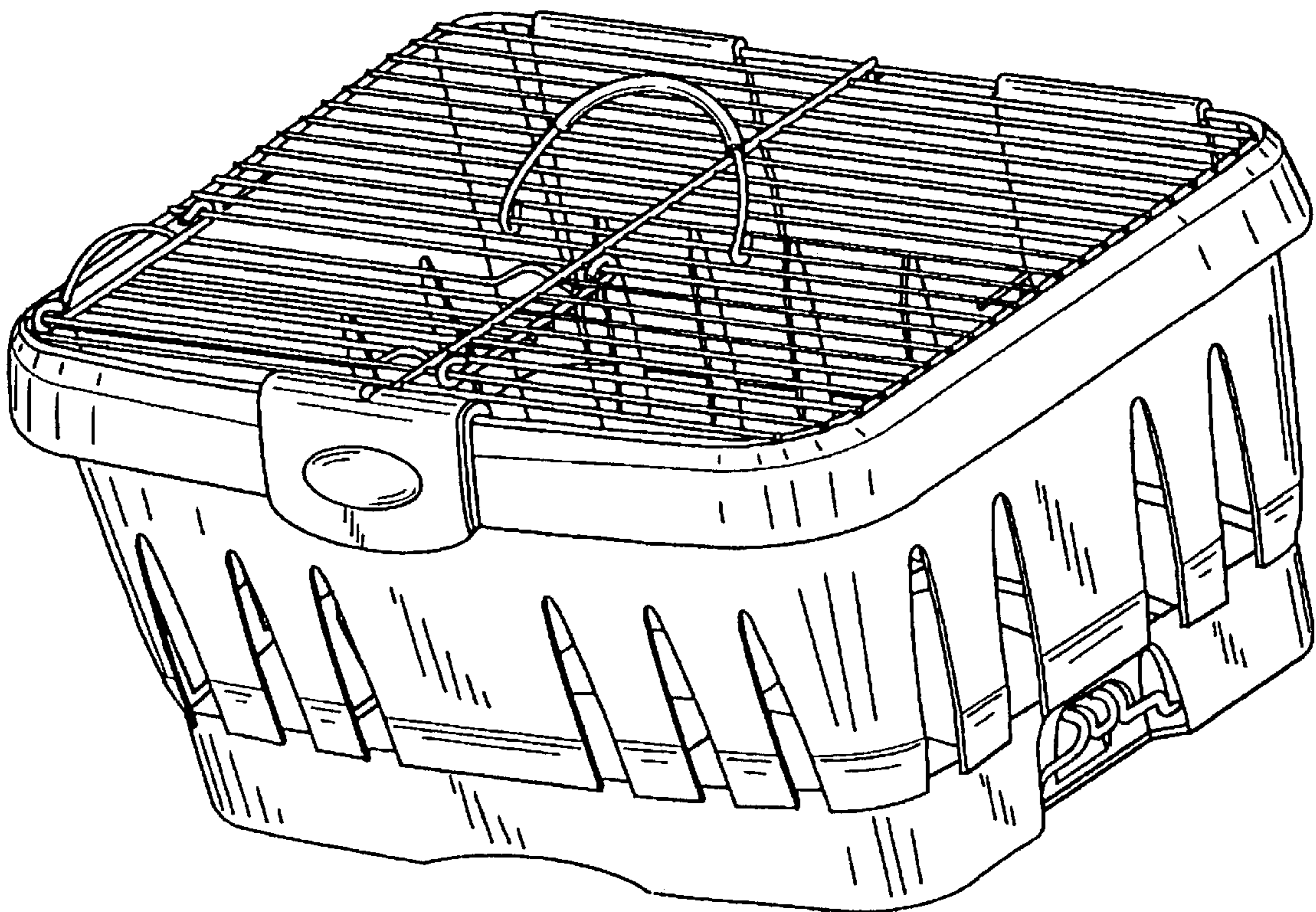
FIG. 4 is a top plan view thereof;

FIG. 5 is a bottom plan view thereof;

FIG. 6 is a right side elevation view thereof; and,

FIG. 7 is a left side elevation view thereof.

1 Claim, 4 Drawing Sheets



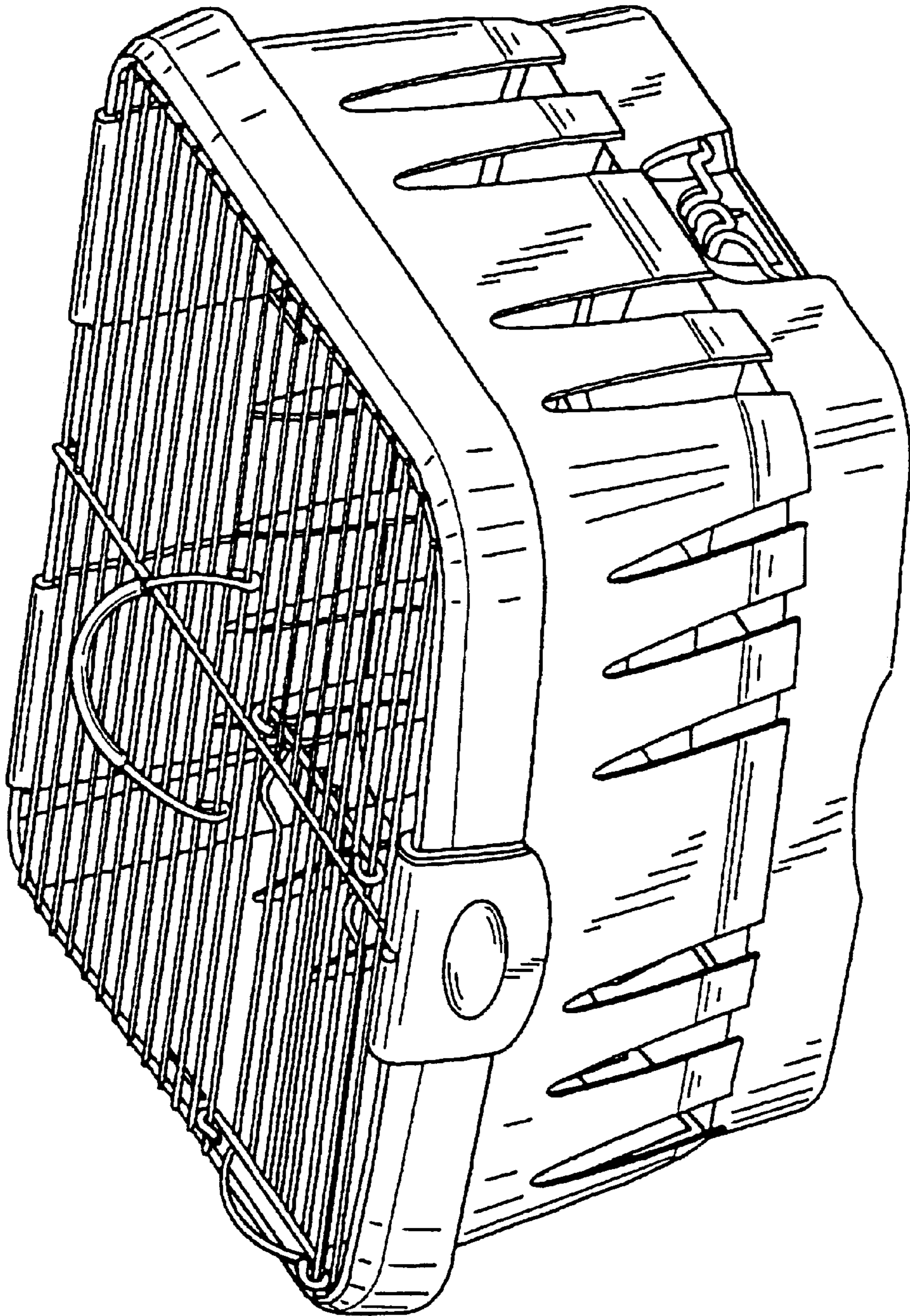


FIG. 1

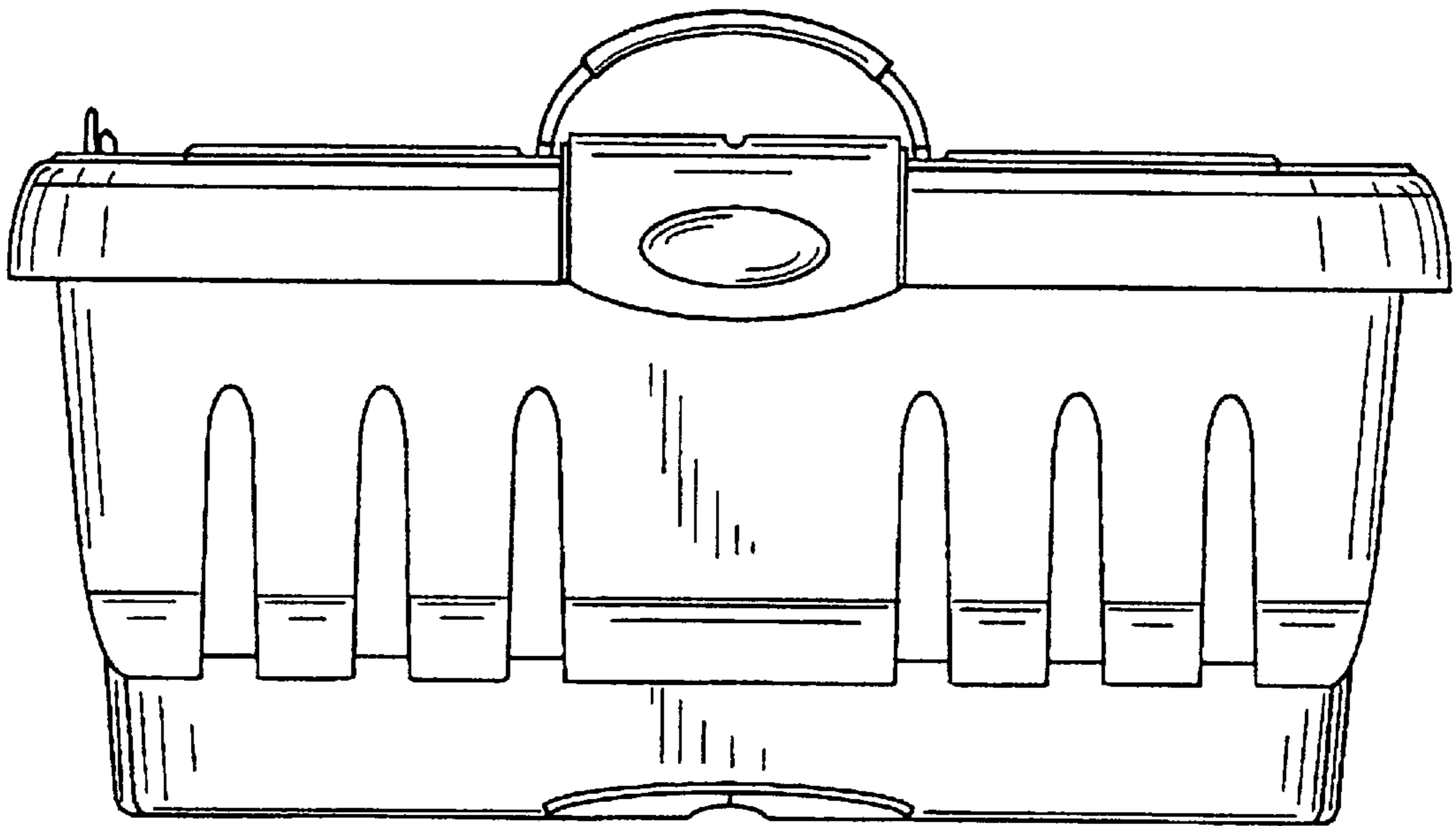


FIG. 2

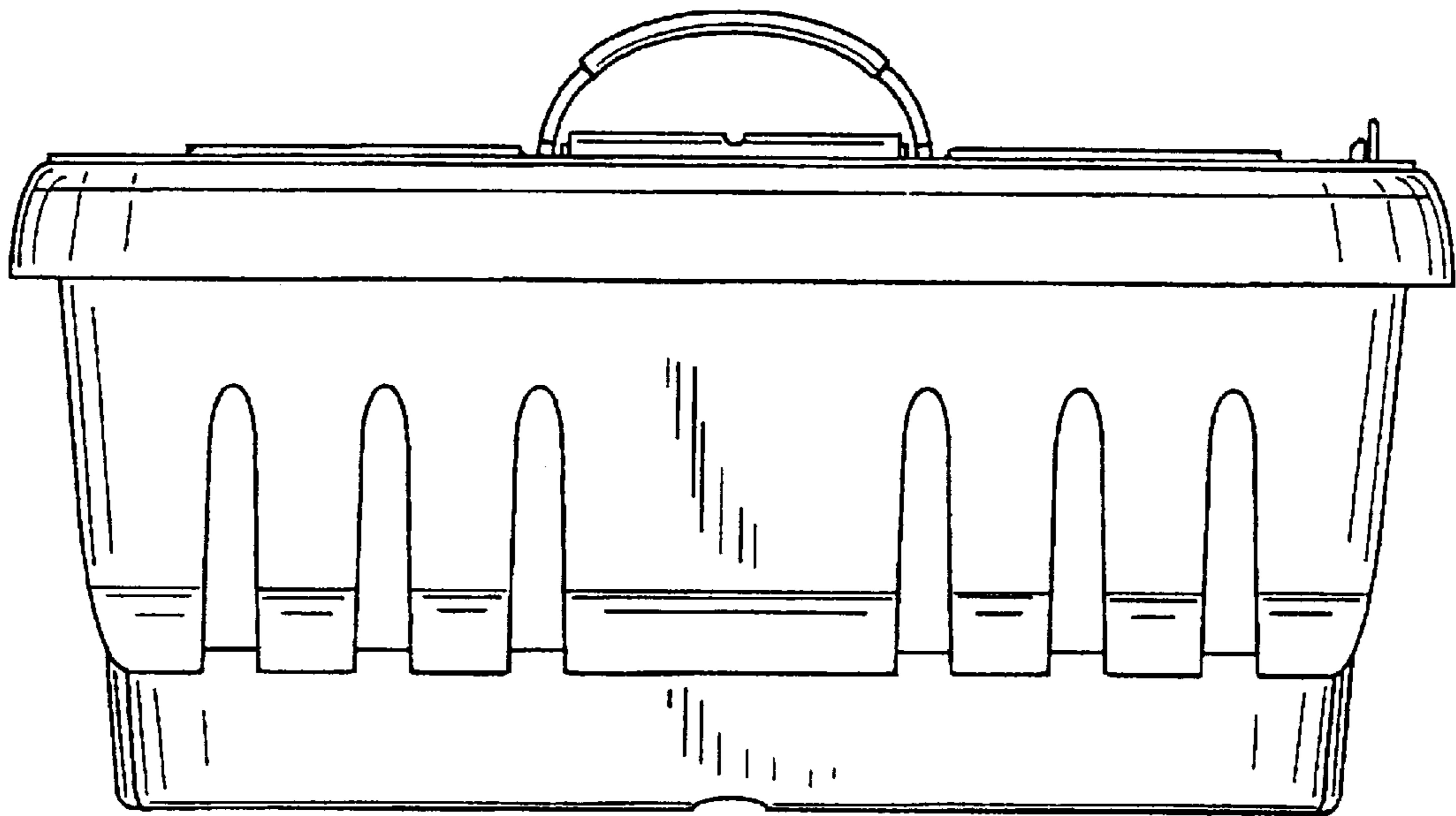


FIG. 3

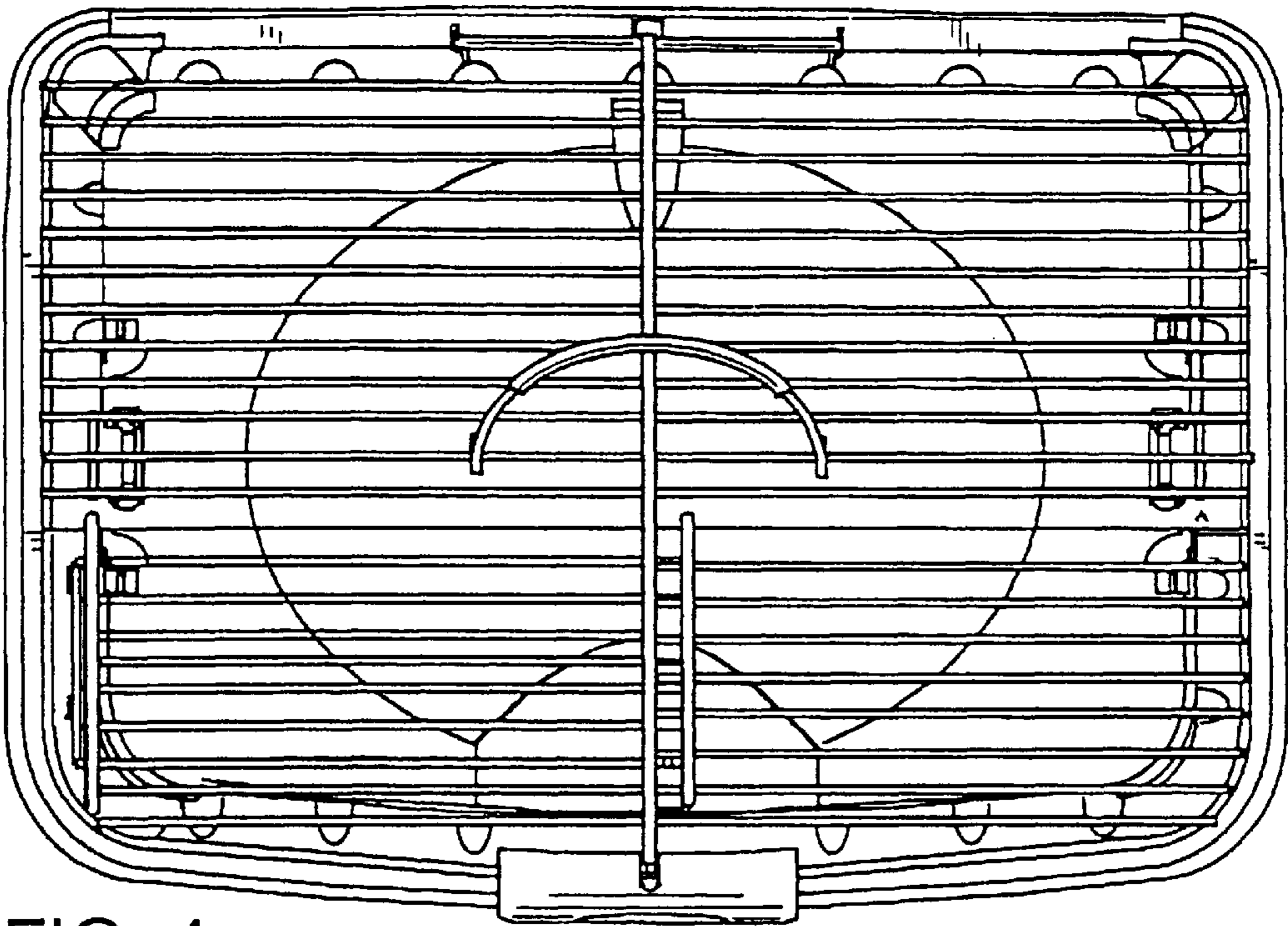


FIG. 4

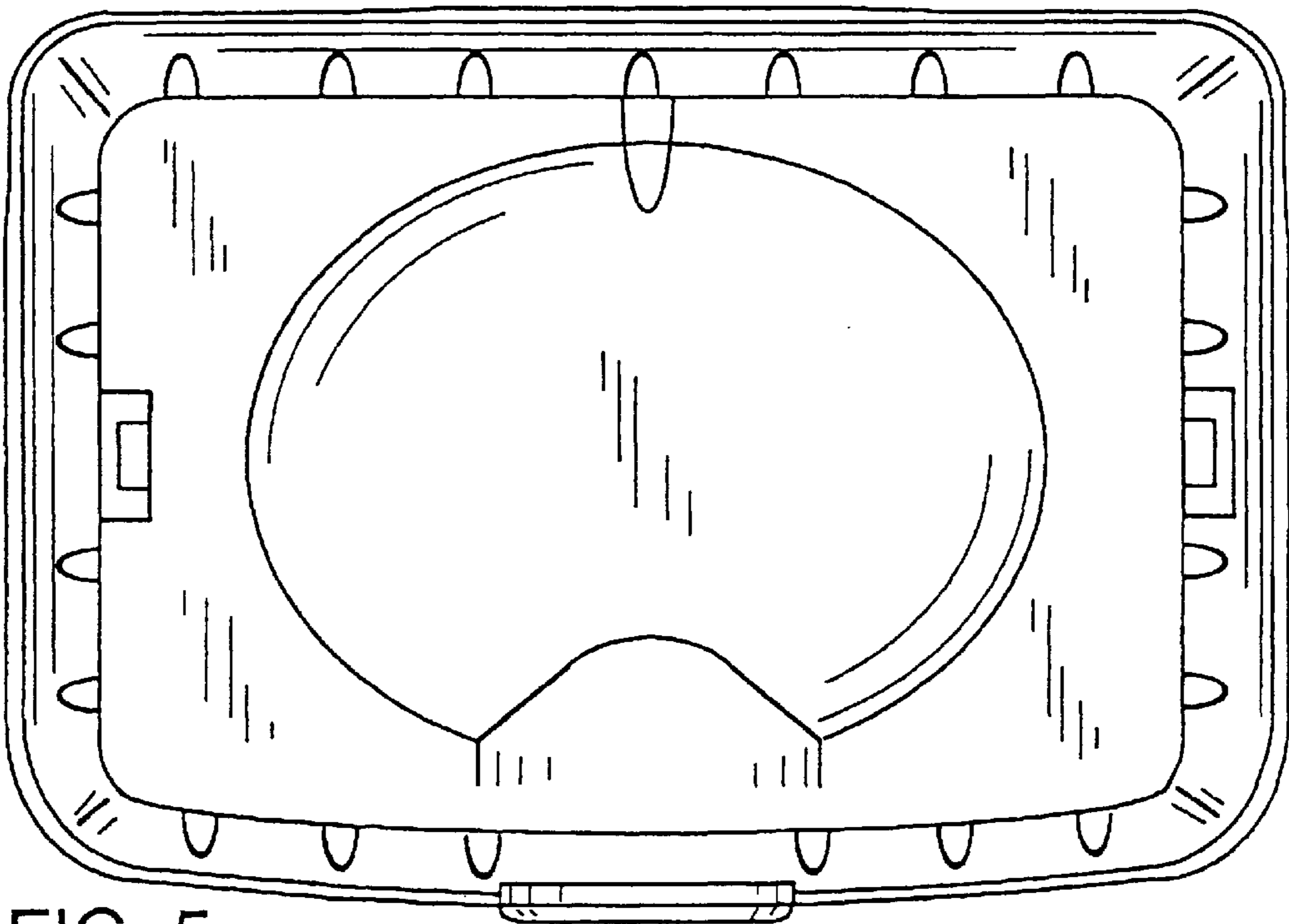


FIG. 5

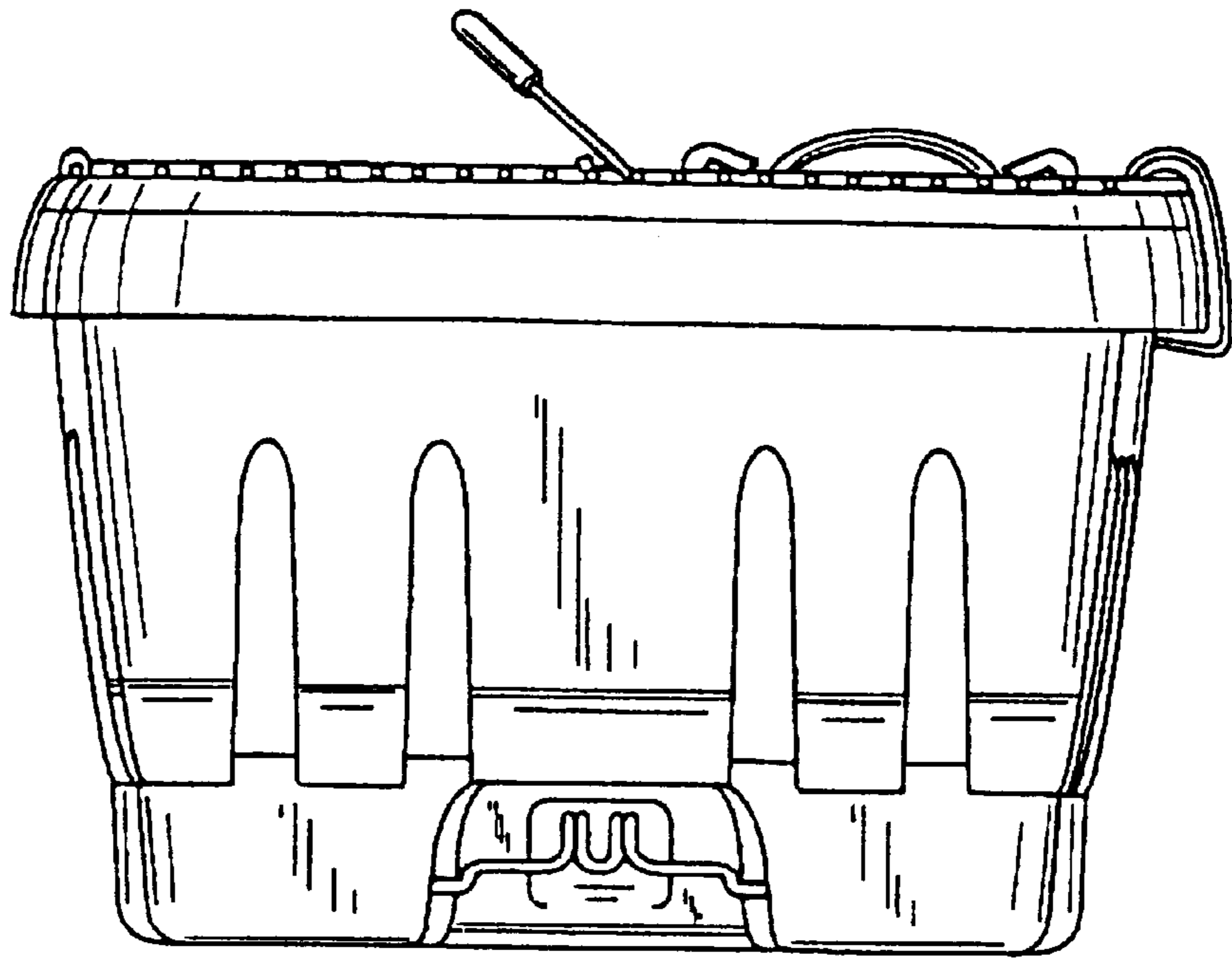


FIG. 6

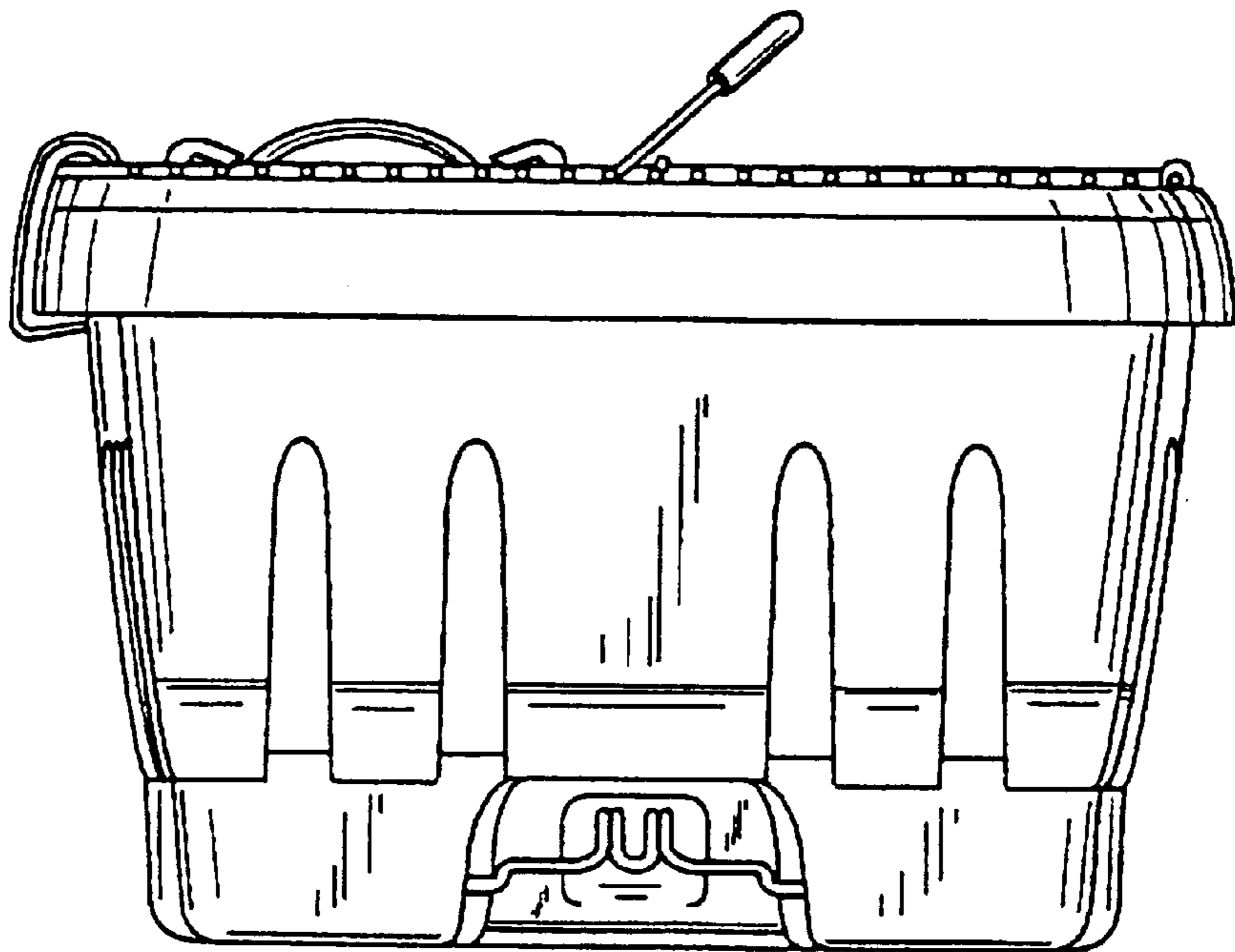


FIG. 7