



US00D453586S

(12) **United States Design Patent**  
**Spagnolo**

(10) **Patent No.:** **US D453,586 S**

(45) **Date of Patent:** **\*\* Feb. 12, 2002**

(54) **HANDLE**

(75) **Inventor:** **Pino Spagnolo, Turin (IT)**

(73) **Assignee:** **Conair Corporation, Stamford, CT (US)**

(\*\*) **Term:** **14 Years**

(21) **Appl. No.:** **29/137,029**

(22) **Filed:** **Feb. 12, 2001**

**Related U.S. Application Data**

(63) Continuation-in-part of application No. 29/127,265, filed on Aug. 2, 2000, and a continuation-in-part of application No. 29/127,264, filed on Aug. 2, 2000.

(51) **LOC (7) Cl.** ..... **28-03**

(52) **U.S. Cl.** ..... **D28/10; D28/35**

(58) **Field of Search** ..... D28/10, 13, 15, D28/18, 30, 24, 35-38, 44-46, 48, 50, 52, 53; D4/100-102, 114, 116, 128, 133, 134, 138; D8/107, 303, 312, DIG. 4, DIG. 5, DIG. 7, DIG. 8; 132/223-272, 117-119, 119.1, 122; 15/143.1; 34/90, 96-98; 392/380, 383-385; 16/111.1, 423, 428, 430, 431, 903, DIG. 12; 219/222, 225; D7/393, 395

(56) **References Cited**

**U.S. PATENT DOCUMENTS**

2,155,115 A \* 4/1939 Conill ..... 132/228  
D198,197 S \* 5/1964 Utz et al. .... D8/303  
D214,661 S \* 7/1969 Wolff ..... D4/102  
D305,158 S \* 12/1989 Vackiner ..... D28/35  
D352,800 S \* 11/1994 Leung ..... D28/35

D375,204 S \* 11/1996 Okada ..... D4/101  
D384,439 S \* 9/1997 Howard ..... D28/35  
D418,249 S \* 12/1999 Elkerbout ..... D28/10  
D429,990 S \* 8/2000 Kunkler ..... D8/303  
D439,051 S \* 3/2001 White ..... D4/102

**OTHER PUBLICATIONS**

Honk Kong Household Aug. 1985, back page: item No. RB-66.\*

Hong Kong Enterprise Nov. 1986, p. 113: curling brushes at center and right.\*

Hong Kong Enterprise Oct. 1999, p. 272: item Nos. EB-9807-G and EB-9807.\*

\* cited by examiner

*Primary Examiner*—Ted Shooman

*Assistant Examiner*—C Tuttle

(74) *Attorney, Agent, or Firm*—Ohlandt, Greeley, Ruggiero & Perle, LLP

(57) **CLAIM**

The ornamental design for a handle, as shown and described.

**DESCRIPTION**

FIG. 1 is a perspective view of a handle according to the present invention, the portion in broken lines being shown for illustrative purposes only and forming no part of claimed invention;

FIG. 2 is a right side view of the handle of FIG. 1;

FIG. 3 is a left side view of the handle of FIG. 1;

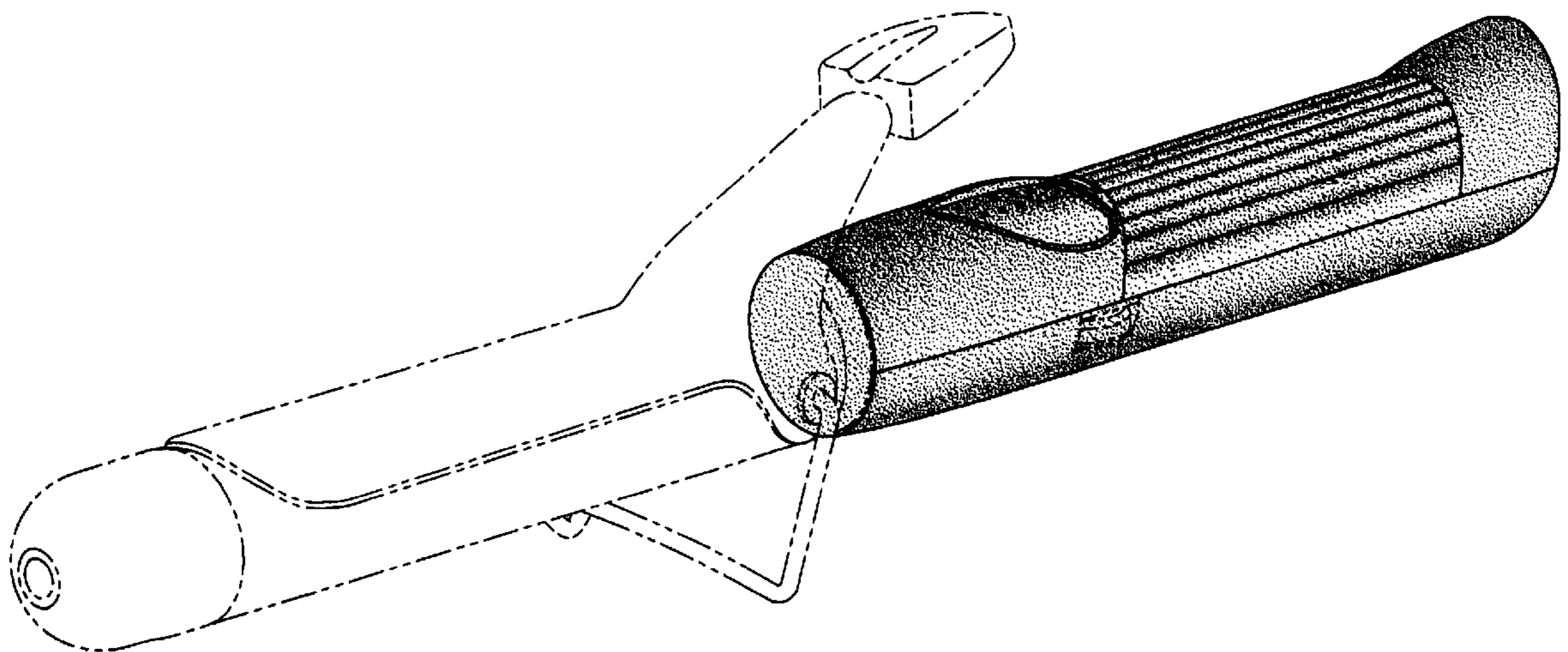
FIG. 4 is a top view of the handle of FIG. 1;

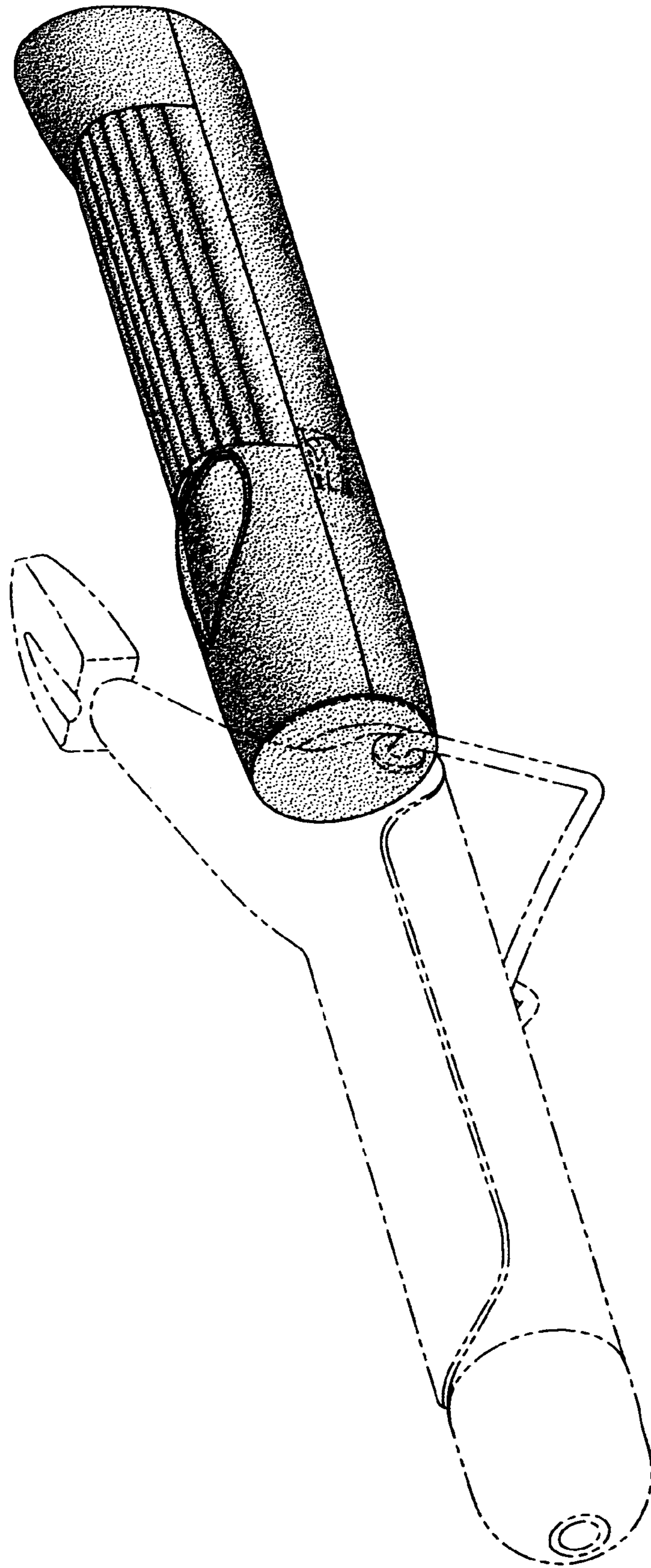
FIG. 5 is a bottom view of the handle of FIG. 1;

FIG. 6 is a front end view of the handle of FIG. 1; and,

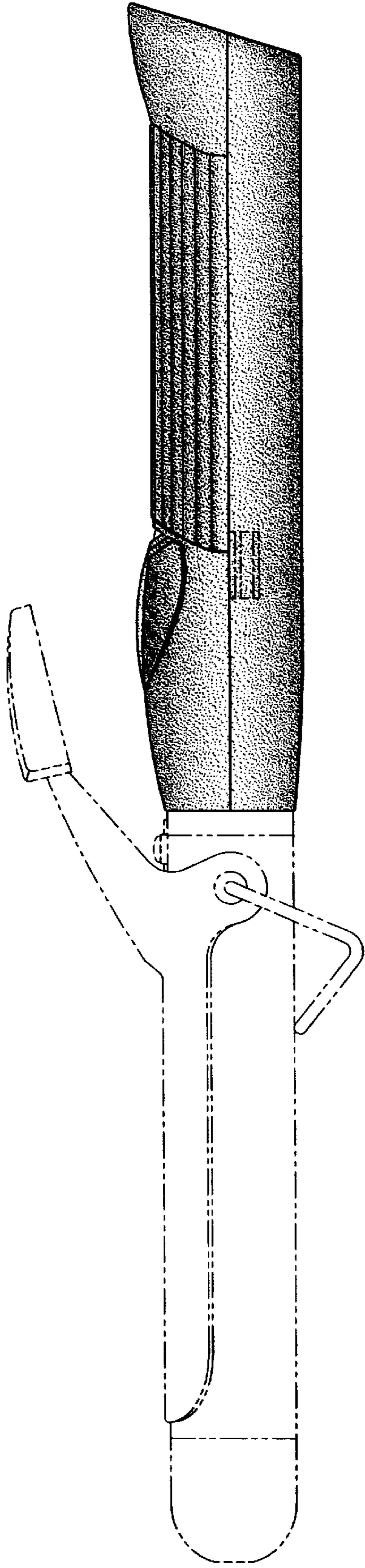
FIG. 7 is a rear end view of the handle of FIG. 1.

**1 Claim, 4 Drawing Sheets**

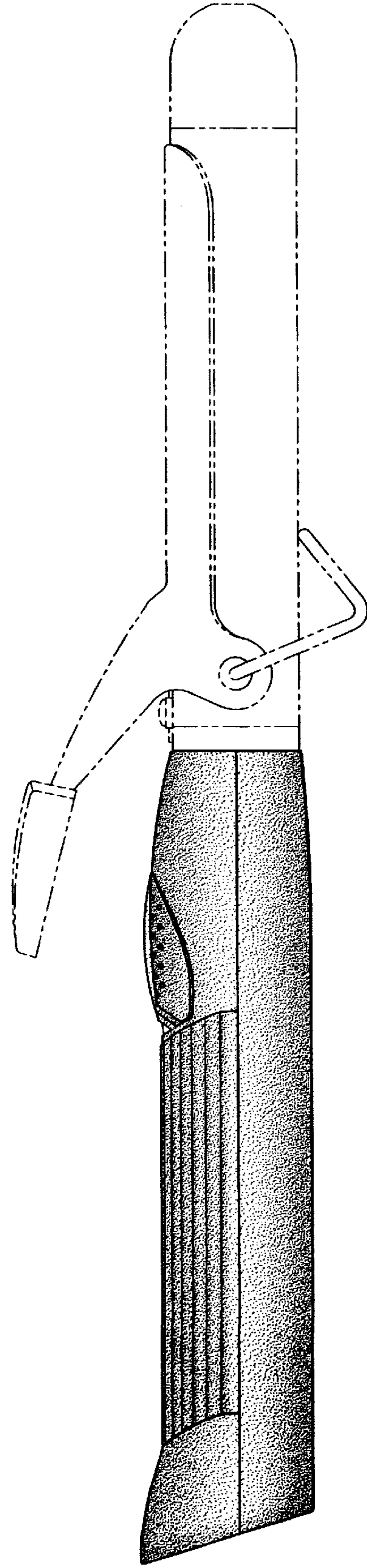




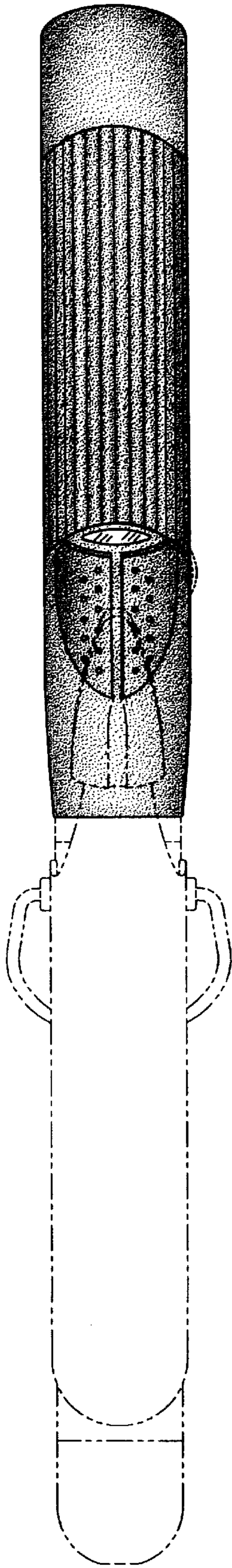
**FIG. 1**



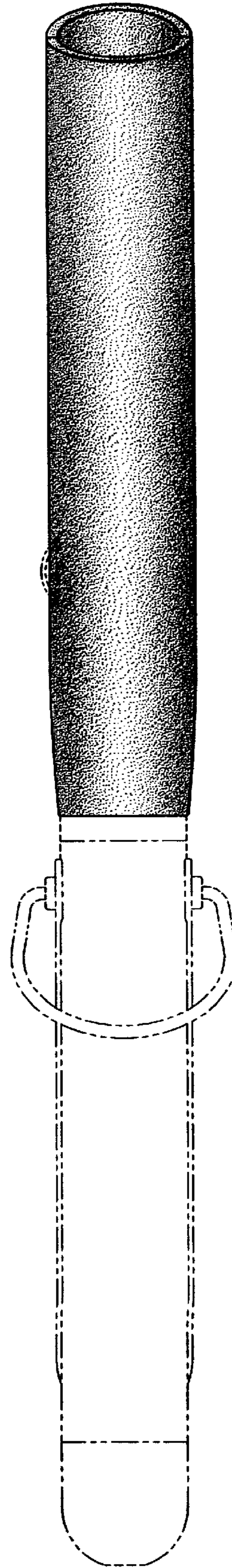
**FIG. 2**



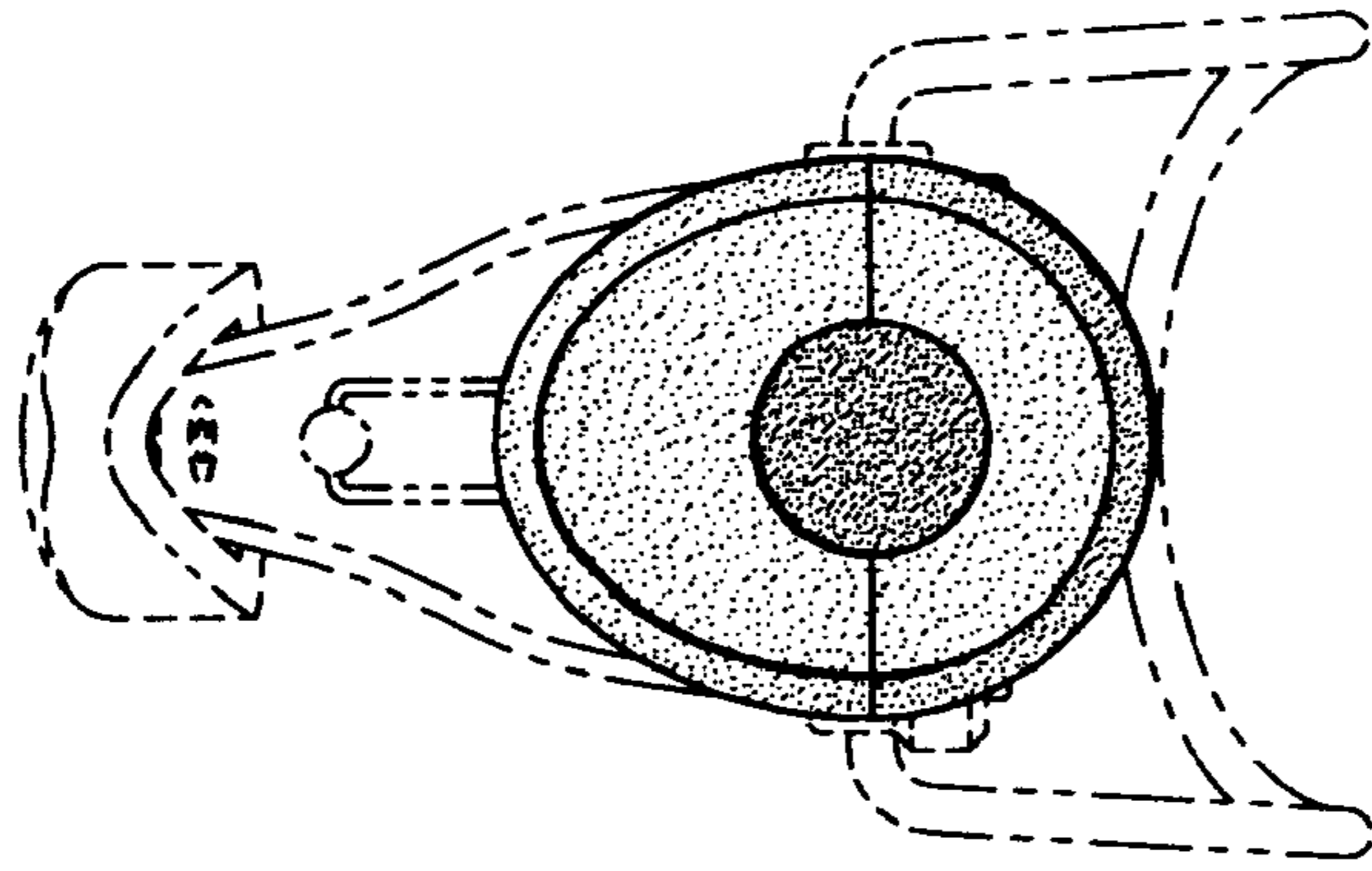
**FIG. 3**



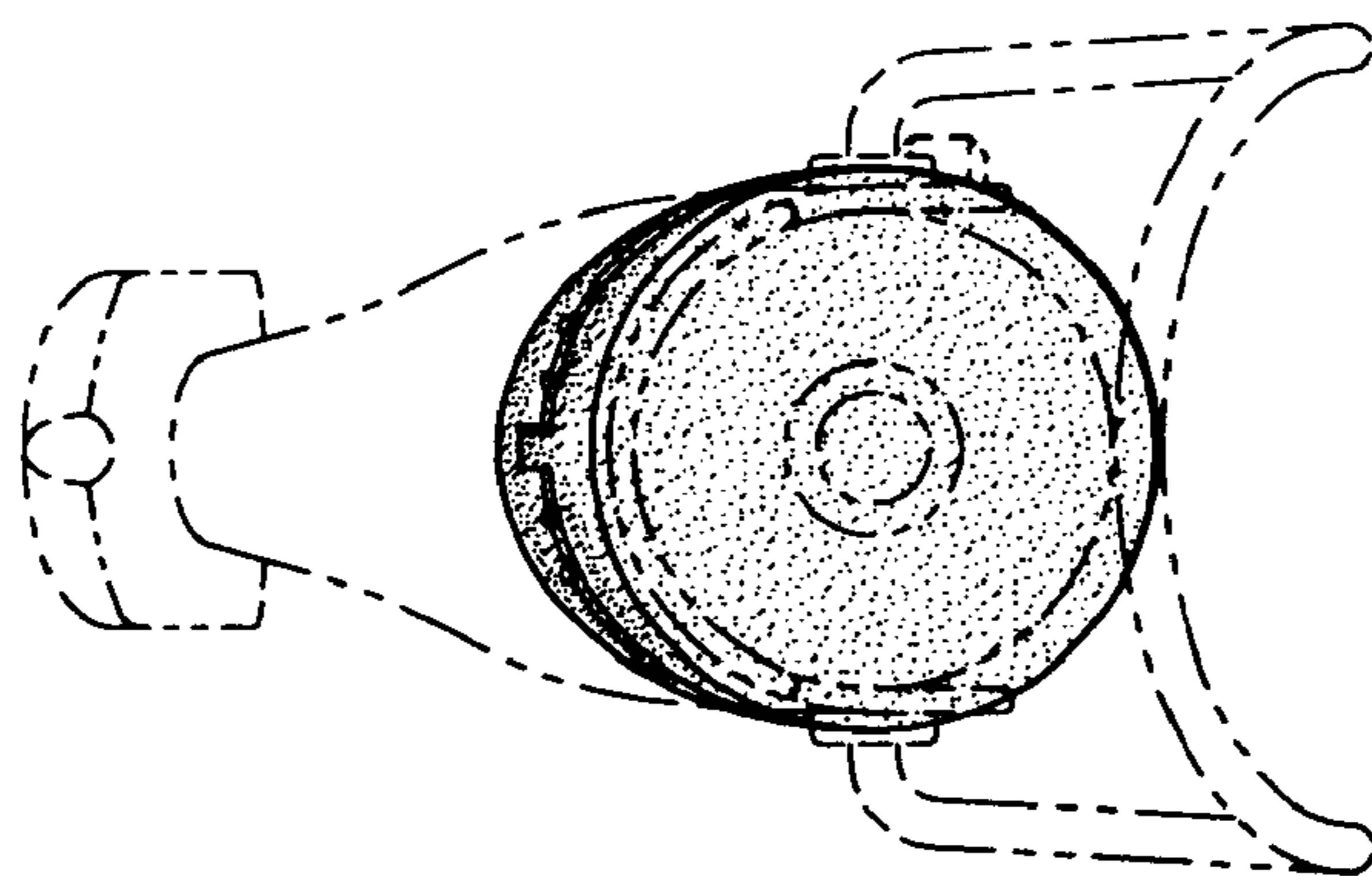
**FIG. 4**



**FIG. 5**



**FIG. 6**



**FIG. 7**