



US00D453585S

(12) **United States Design Patent**
Walker, Jr.

(10) **Patent No.:** **US D453,585 S**

(45) **Date of Patent:** **** Feb. 12, 2002**

(54) **LIGHTER**

(75) Inventor: **Robert F. Walker, Jr.**, Greenfield, MA
(US)

(73) Assignee: **Essential Gear, Inc.**

(**) Term: **14 Years**

(21) Appl. No.: **29/123,589**

(22) Filed: **May 22, 2000**

(51) **LOC (7) Cl.** **27-05**

(52) **U.S. Cl.** **D27/157**

(58) **Field of Search** D27/139, 141,
D27/154, 155, 157; 431/253, 255, 267,
132, 142, 143

(56) **References Cited**

U.S. PATENT DOCUMENTS

D230,424 S * 2/1974 Racek D27/154
D405,918 S * 2/1999 Motobayashi D27/157

* cited by examiner

Primary Examiner—Susan J. Lucas

Assistant Examiner—J. Rivard

(74) *Attorney, Agent, or Firm*—Deborah A. Basile

(57) **CLAIM**

I claim the ornamental design for a lighter, as shown and described.

DESCRIPTION

FIG. 1 is a rear elevational view of the lighter showing my new design;

FIG. 2 is a front elevational view thereof, the opposite side being a mirror image;

FIG. 3 is a right side elevational view thereof, the opposite side being as shown in FIG. 4;

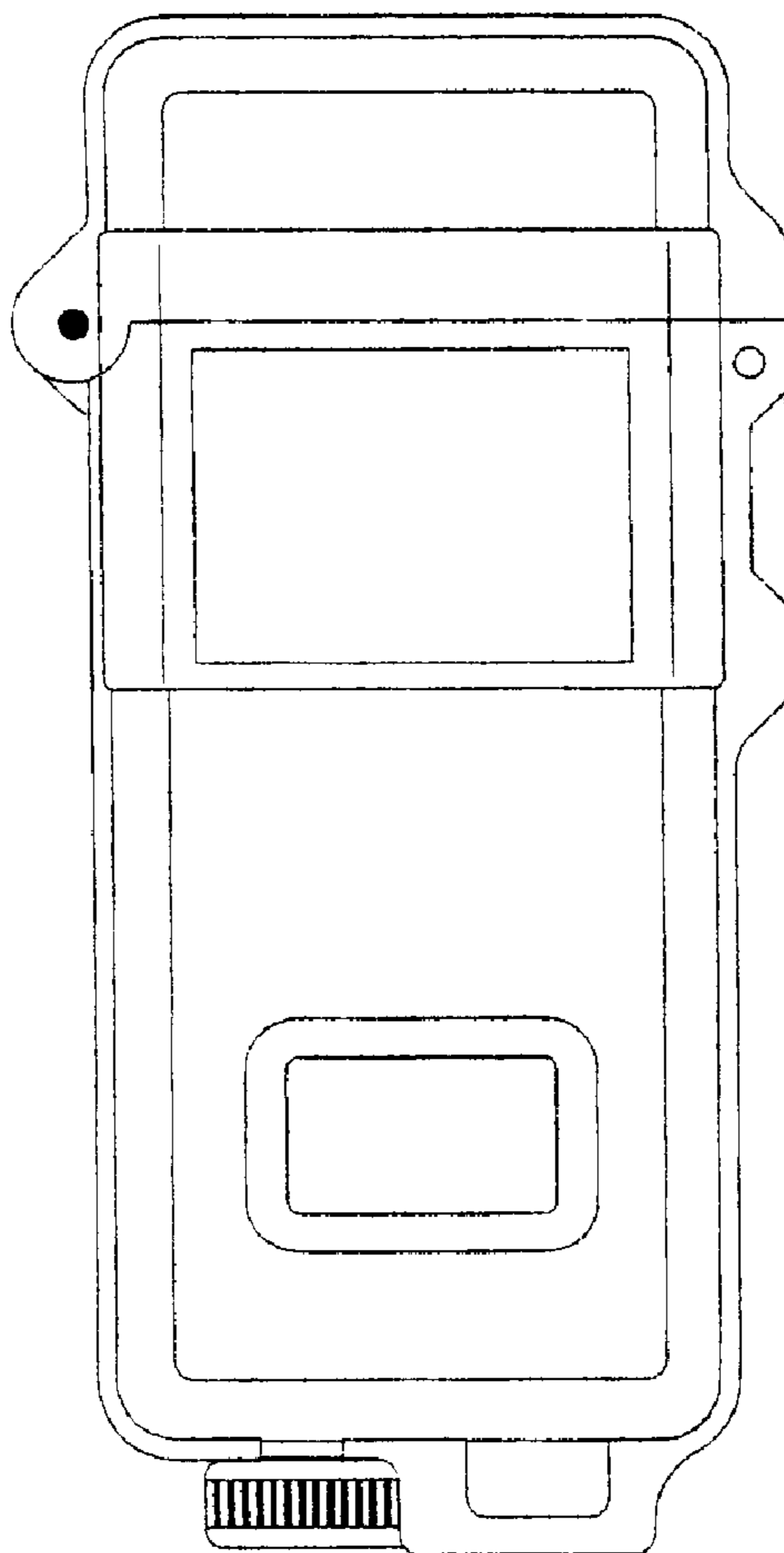
FIG. 4 is a left side elevational view thereof, the opposite side being as shown in FIG. 3;

FIG. 5 is a top plan view thereof, the opposite side as shown FIG. 6;

FIG. 6 is a bottom plan view thereof; and,

FIG. 7 is a front elevational view showing the cap open.

1 Claim, 7 Drawing Sheets



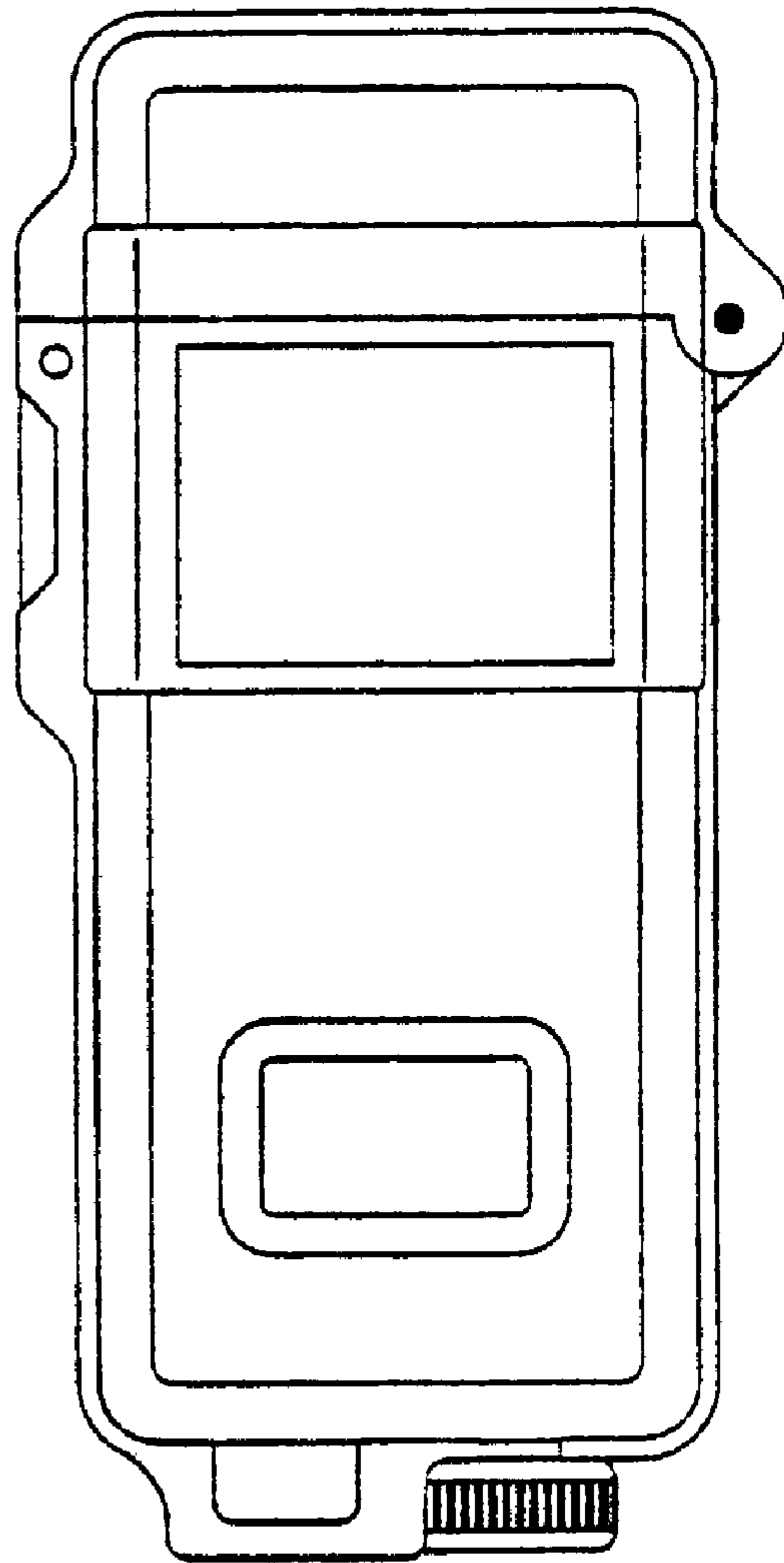


FIGURE 1

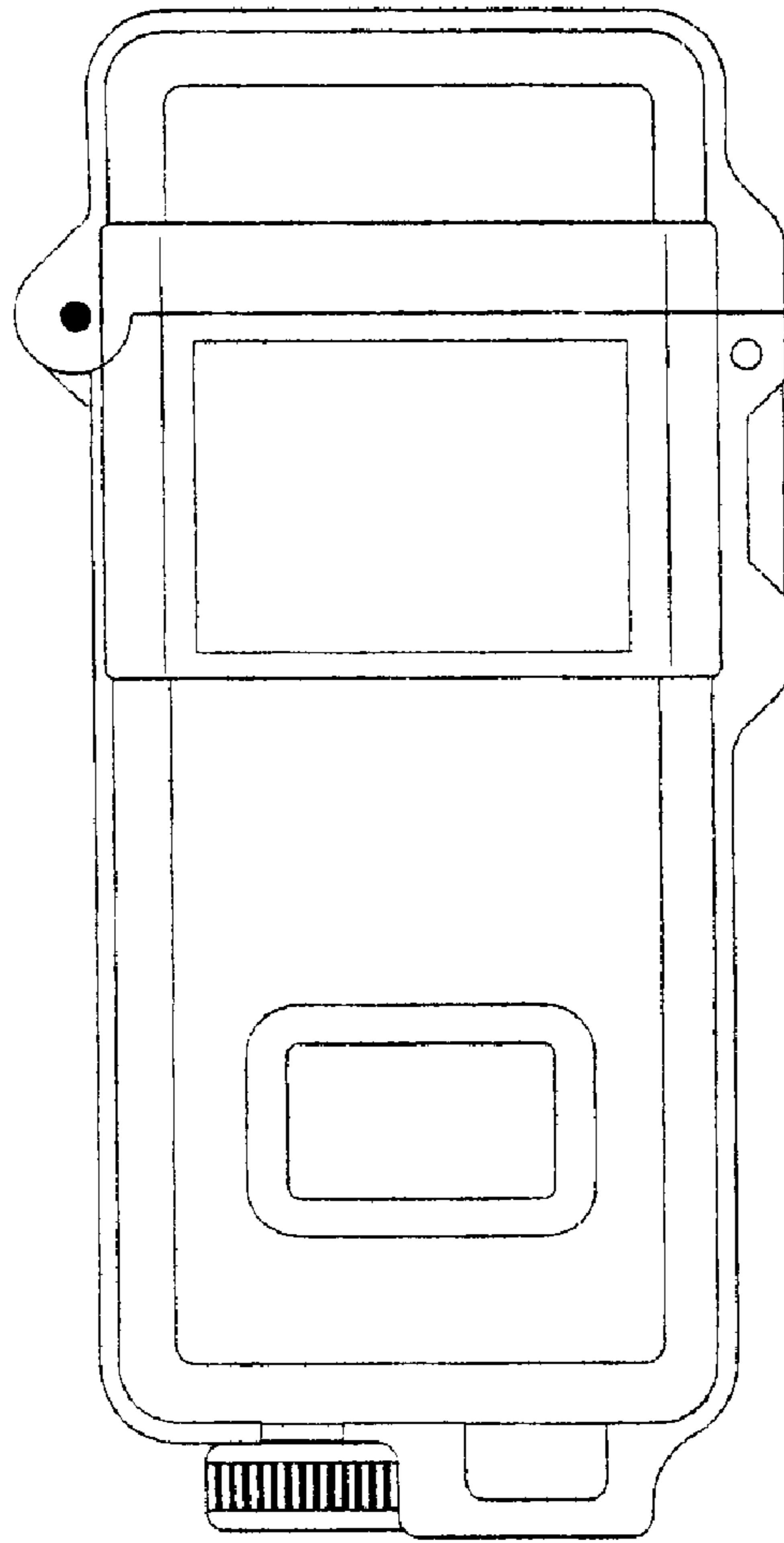


FIGURE 2

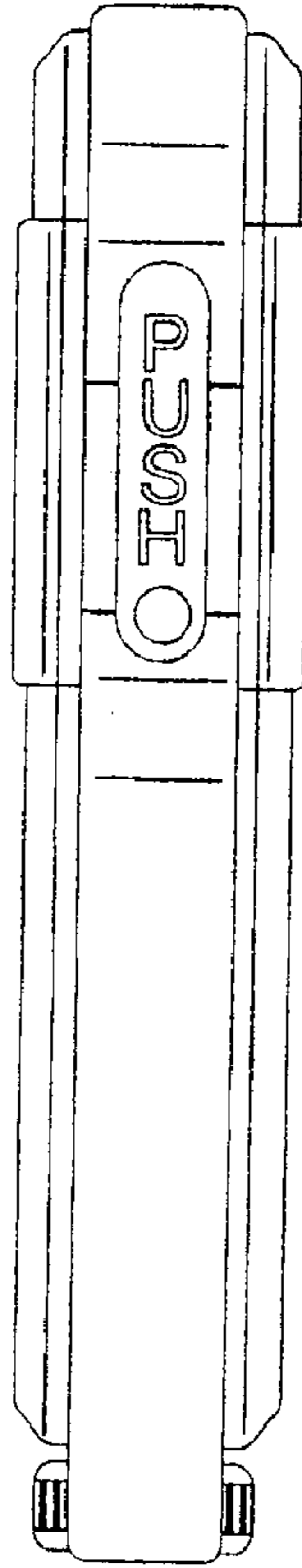


FIGURE 3

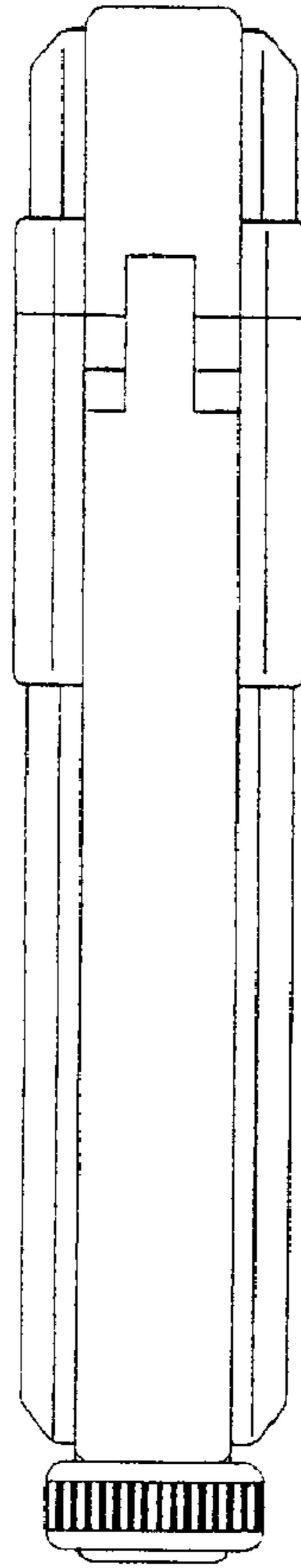


FIGURE 4

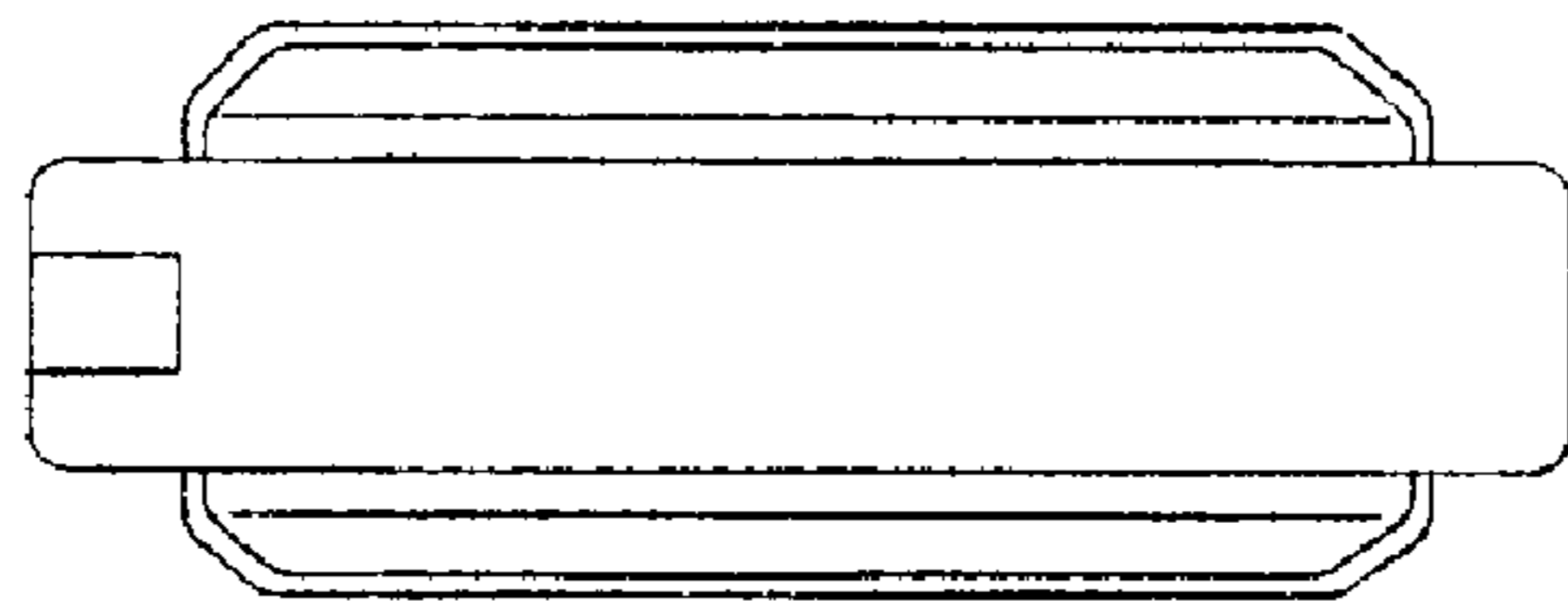


FIGURE 5

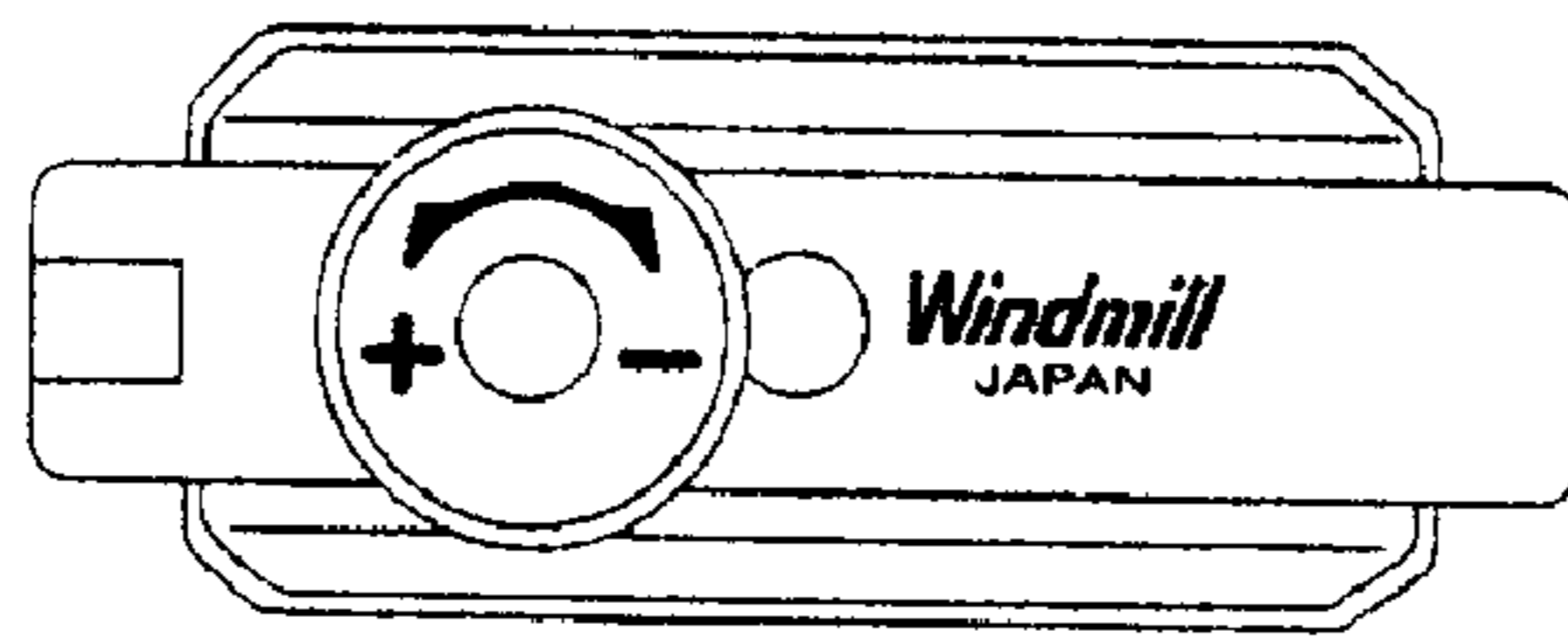


FIGURE 6

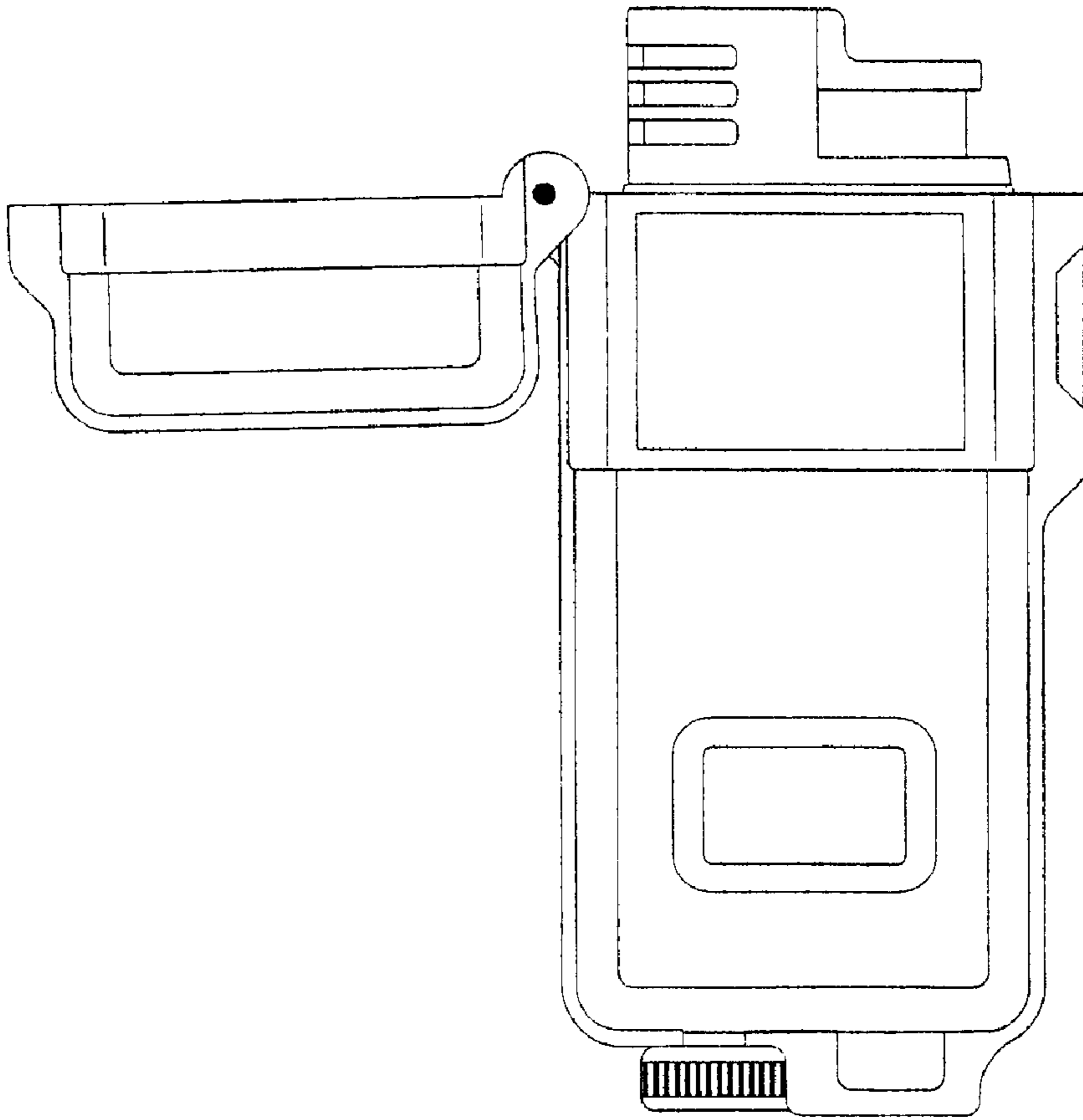


FIGURE 7

UNITED STATES PATENT AND TRADEMARK OFFICE
CERTIFICATE OF CORRECTION

PATENT NO. : Des. 453,585 S
DATED : February 12, 2002
INVENTOR(S) : Robert F. Walker, Jr.

Page 1 of 9

It is certified that error appears in the above-identified patent and that said Letters Patent is hereby corrected as shown below:

The title page should be deleted and substitute therefore the attached title page as shown on the attached page.

Delete drawing sheets 1-7, and substitute therefore the drawing sheets, consisting of Figs. 1-7, as shown on the attached pages.

Signed and Sealed this

Sixth Day of May, 2003

A handwritten signature in black ink, appearing to read "James E. Rogan", with a thick horizontal line drawn underneath it.

JAMES E. ROGAN
Director of the United States Patent and Trademark Office

(12) **United States Design Patent** (10) **Patent No.:** **US D453,585 S**
Walker, Jr. (45) **Date of Patent:** **** Feb. 12, 2002**

(54) **LIGHTER**

(75) **Inventor:** **Robert F. Walker, Jr.,** Greenfield, MA (US)

(73) **Assignee:** **Essential Gear, Inc.**

(**) **Term:** **14 Years**

(21) **Appl. No.:** **29/123,589**

(22) **Filed:** **May 22, 2000**

(51) **LOC (7) Cl.** **27-05**

(52) **U.S. Cl.** **D27/157**

(58) **Field of Search** D27/139, 141,
D27/154, 155, 157; 431/253, 255, 267,
132, 142, 143

(56) **References Cited**

U.S. PATENT DOCUMENTS

D230,424 S * 2/1974 Racek D27/154
D405,918 S * 2/1999 Motobayashi D27/157

* cited by examiner

Primary Examiner—Susan J. Lucas

Assistant Examiner—J. Rivard

(74) *Attorney, Agent, or Firm*—Deborah A. Basile

(57) **CLAIM**

I claim the ornamental design for a lighter, as shown and described.

DESCRIPTION

FIG. 1 is a rear elevational view of the lighter showing my new design;

FIG. 2 is a front elevational view thereof, the opposite side being a mirror image;

FIG. 3 is a right side elevational view thereof, the opposite side being as shown in FIG. 4;

FIG. 4 is a left side elevational view thereof, the opposite side being as shown in FIG. 3;

FIG. 5 is a top plan view thereof, the opposite side as shown in FIG. 6;

FIG. 6 is a bottom plan view thereof; and,

FIG. 7 is a front elevational view showing the cap open.

1 Claim, 7 Drawing Sheets

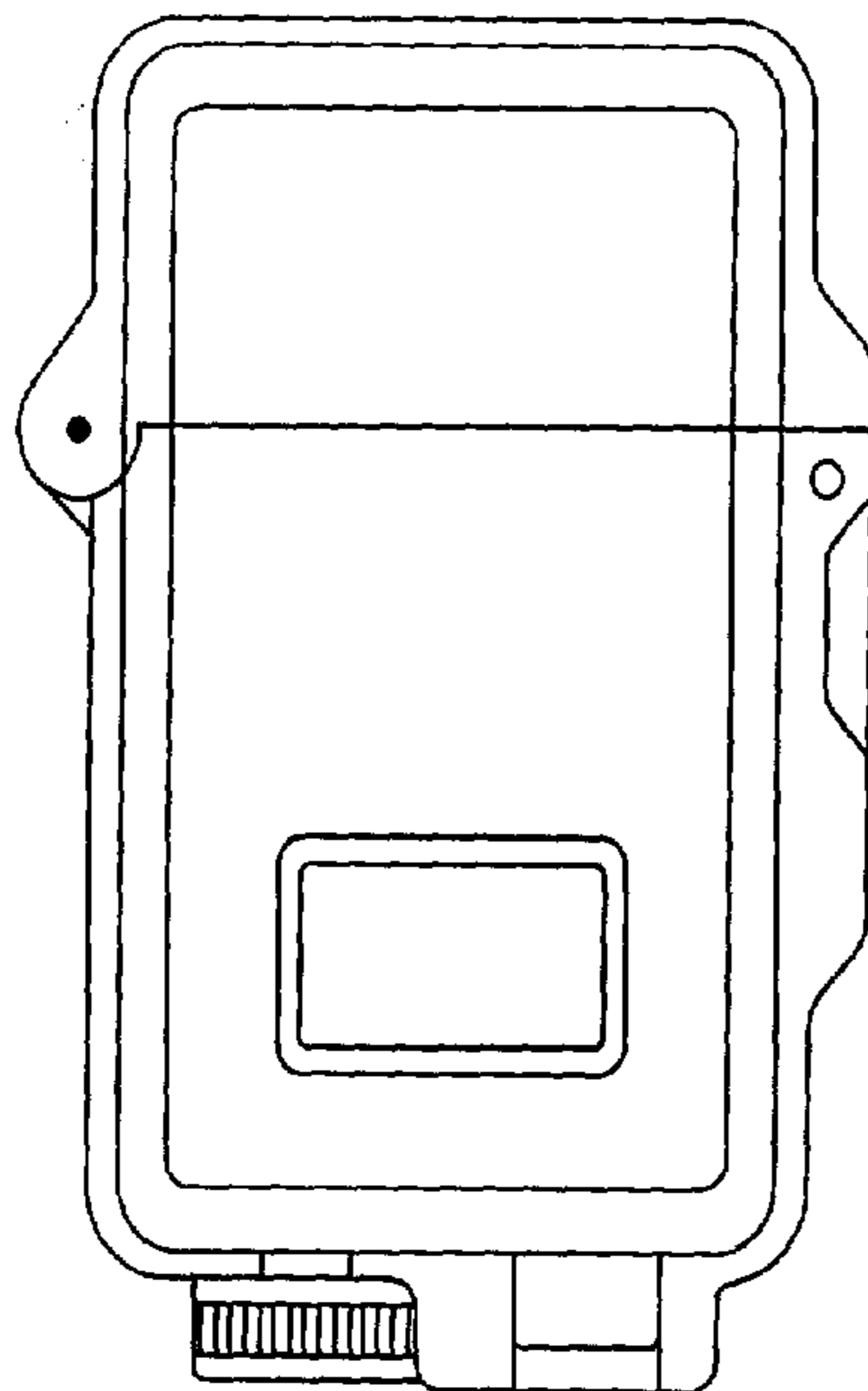


FIG. 1

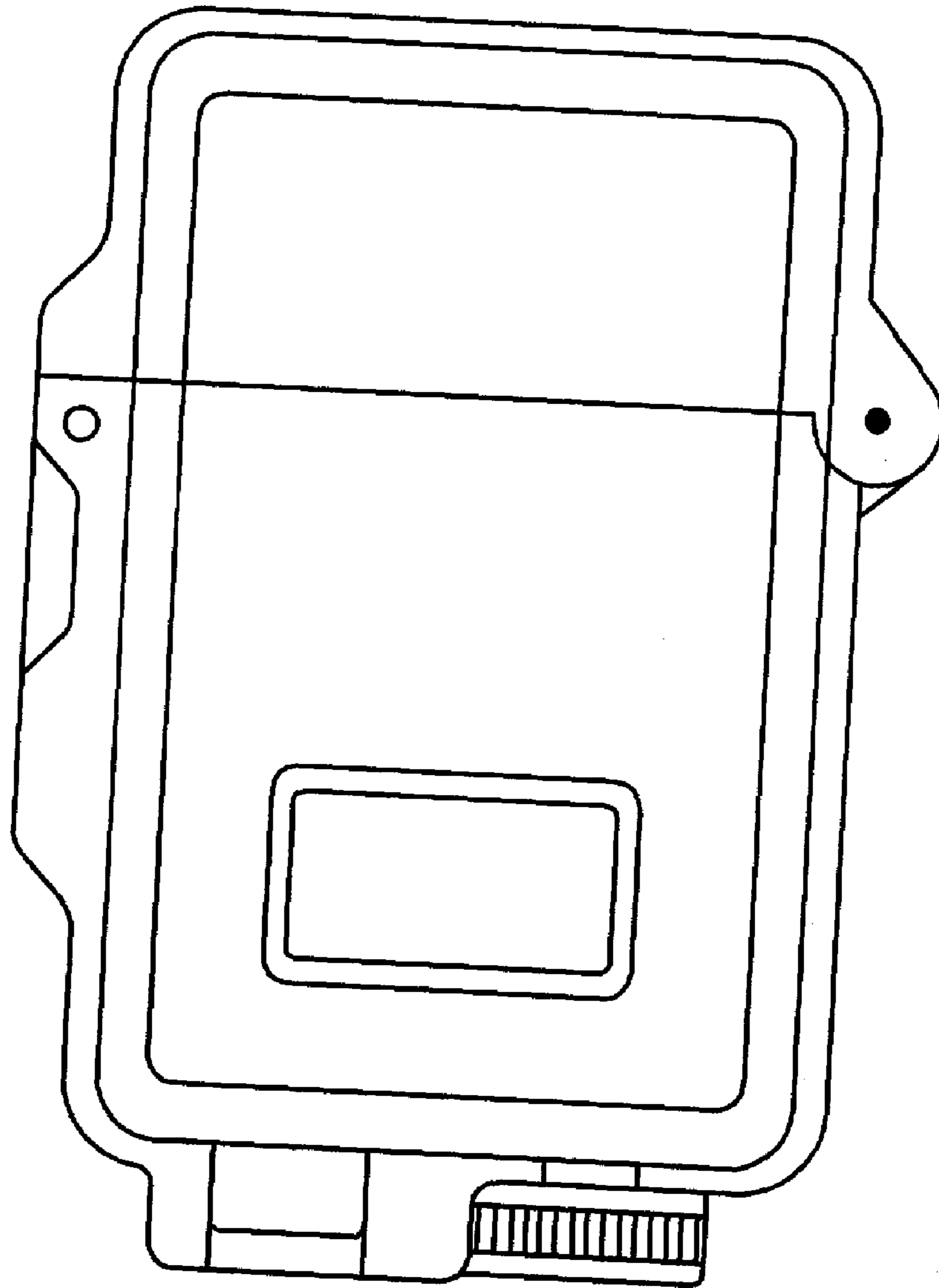


FIG. 2

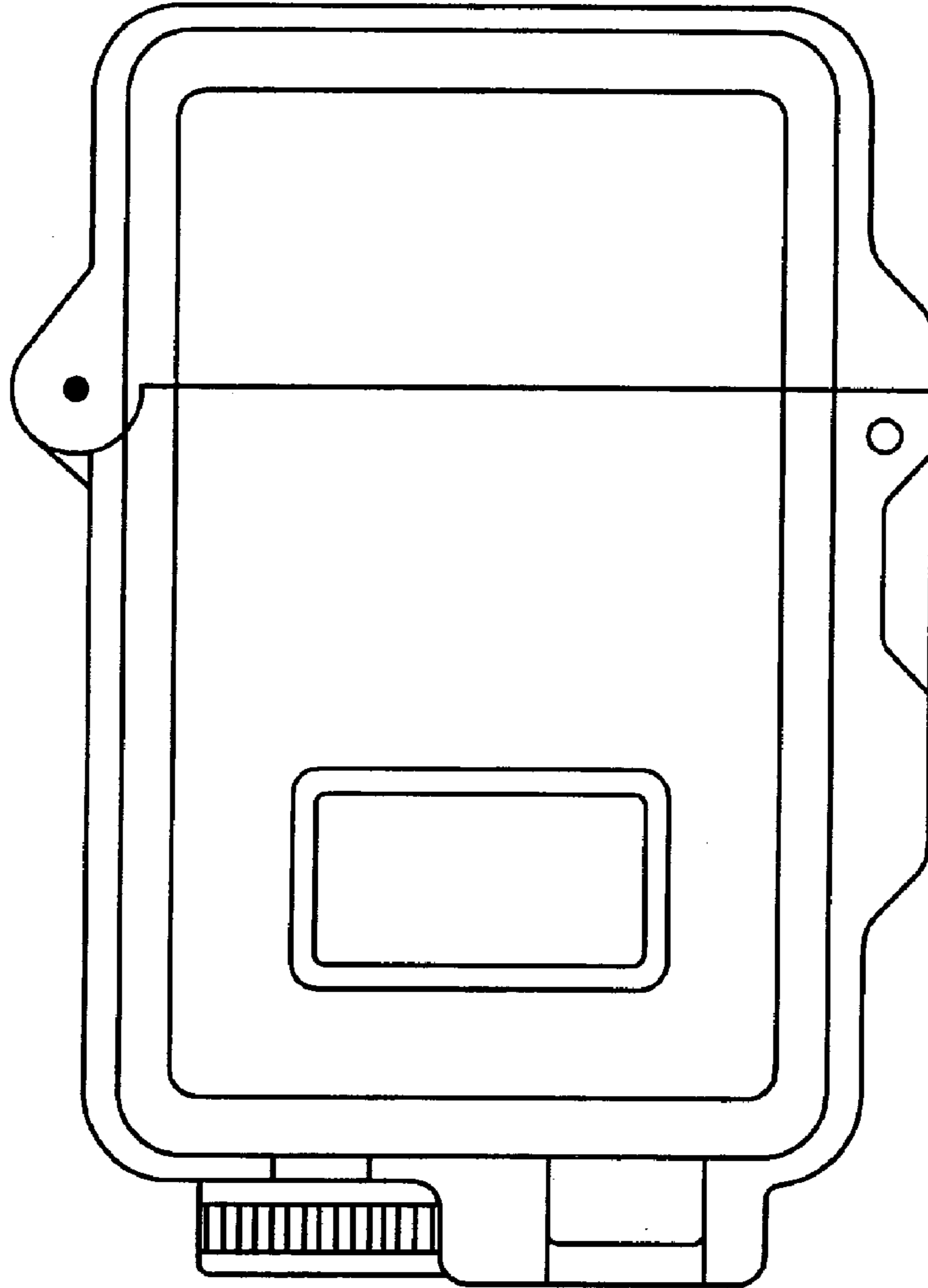


FIG. 3

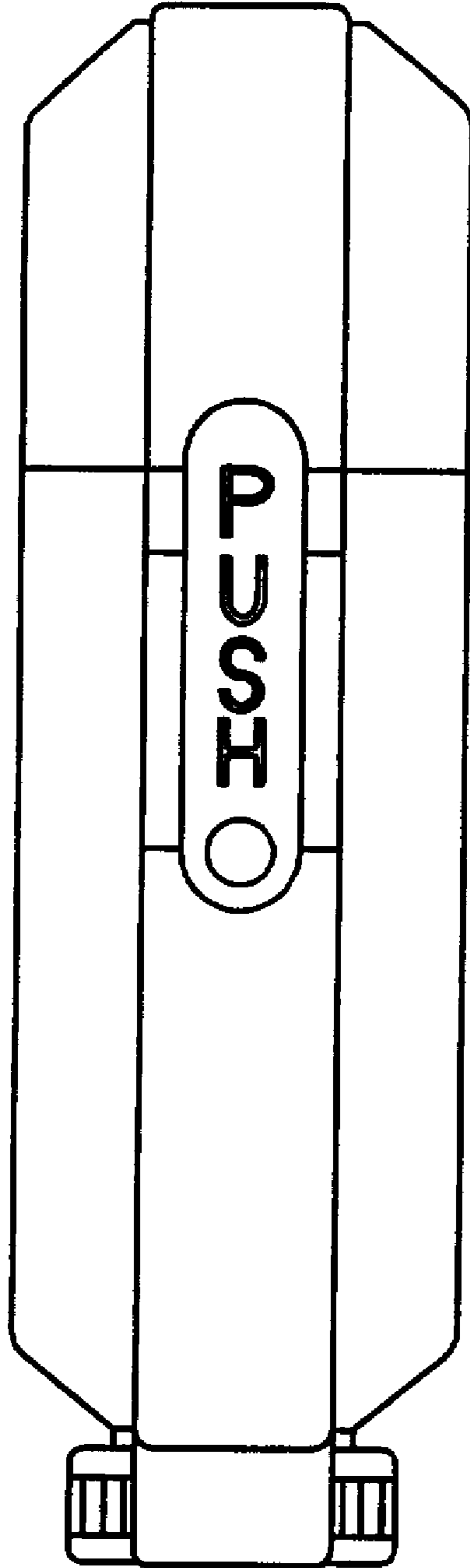


FIG. 4

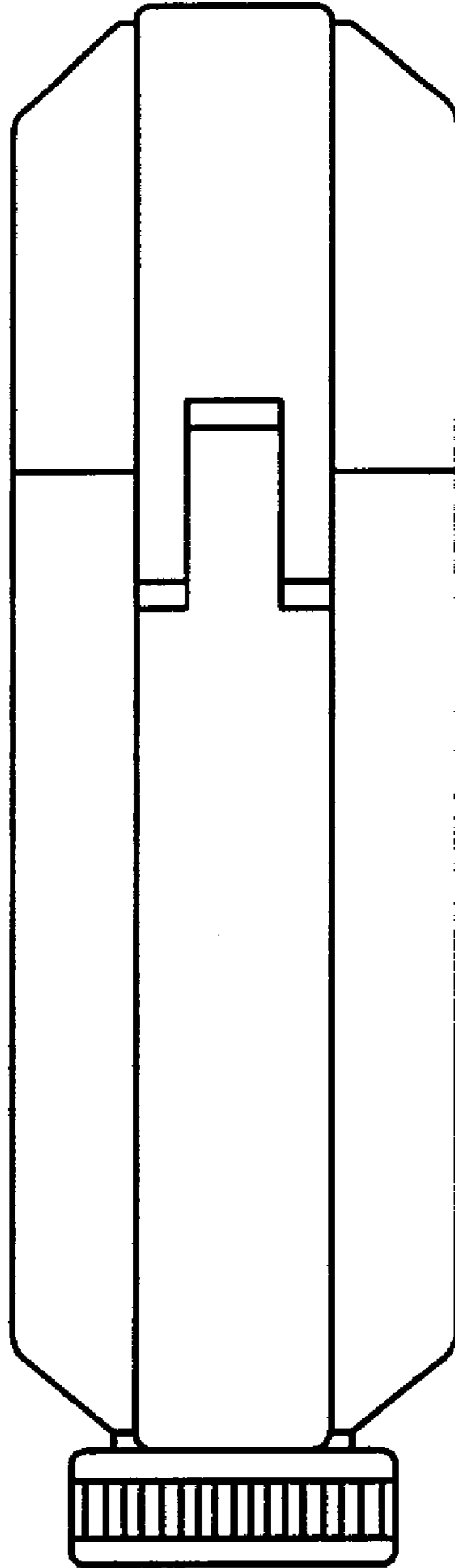


FIG. 5

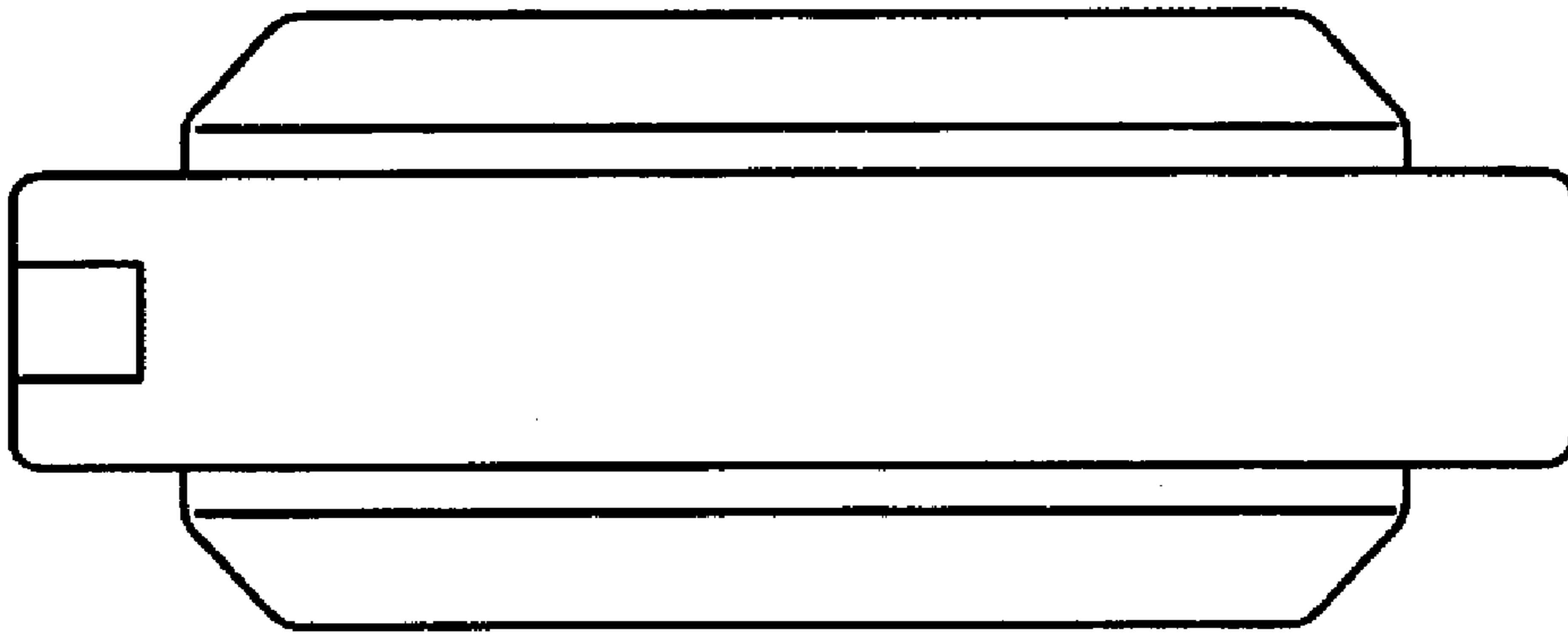
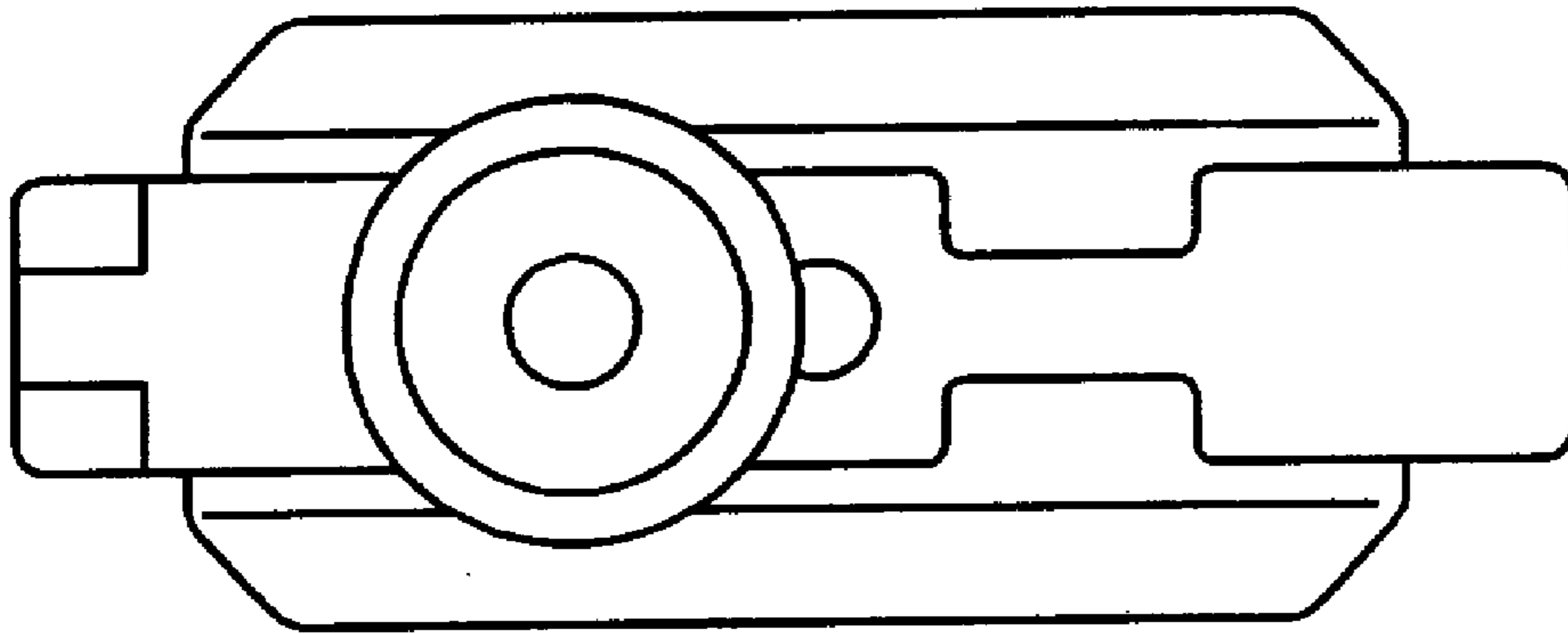


FIG. 6



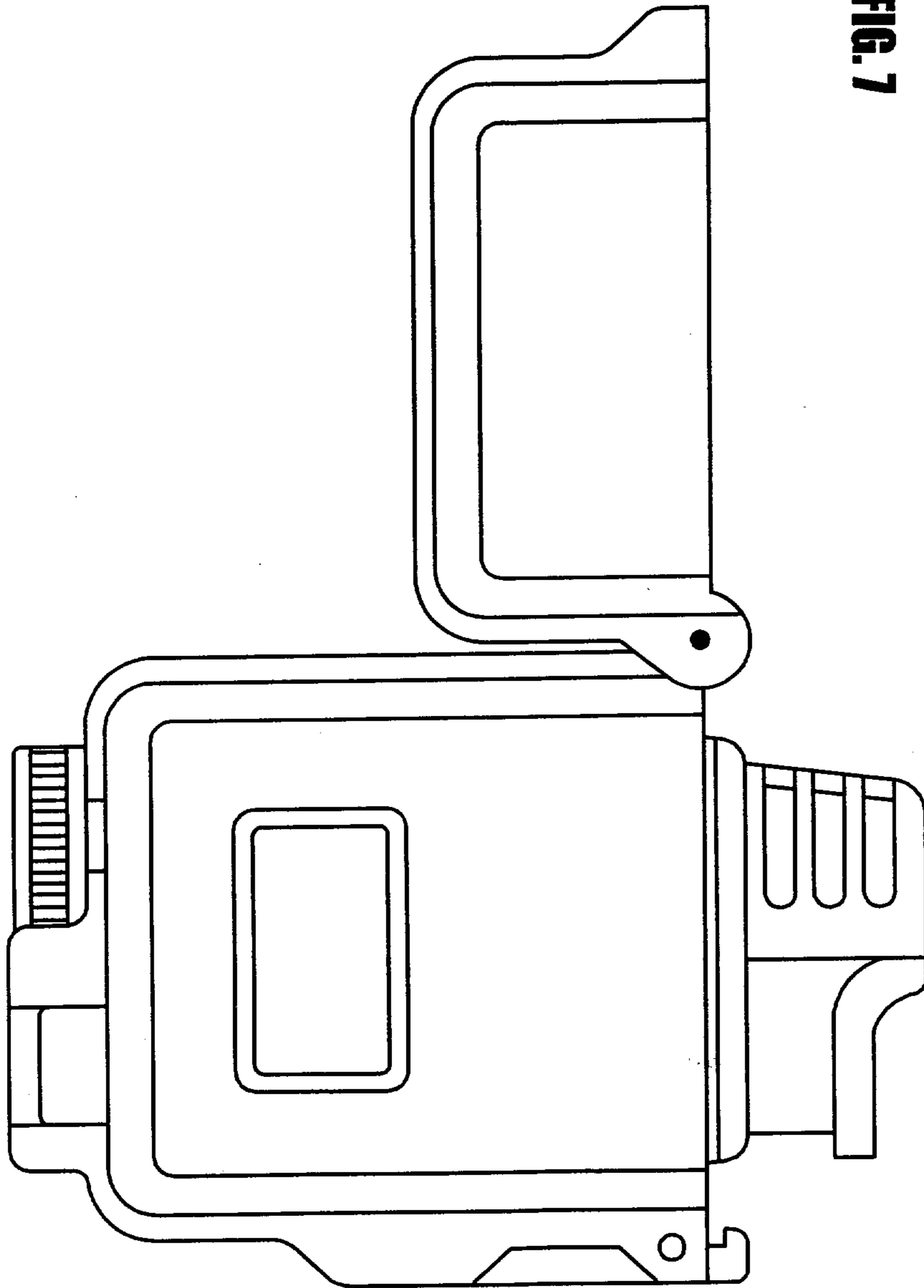


FIG. 7