



US00D453582S

(12) **United States Design Patent**
Swanson

(10) **Patent No.:** **US D453,582 S**

(45) **Date of Patent:** **** Feb. 12, 2002**

(54) **TORCHIERE TREE LAMP**

(75) Inventor: **Dennis K. Swanson**, Woodland Hills, CA (US)

(73) Assignee: **Lamps Plus, Inc.**, Chatsworth, CA (US)

(**) Term: **14 Years**

(21) Appl. No.: **29/135,838**

(22) Filed: **Jan. 10, 2001**

(51) **LOC (7) Cl.** **26-03**

(52) **U.S. Cl.** **D26/112**

(58) **Field of Search** D26/61-69, 93-112;
362/410-414, 431

(56) **References Cited**

U.S. PATENT DOCUMENTS

D380,849 S * 7/1997 Swanson D26/63

* cited by examiner

Primary Examiner—Alan P. Douglas

Assistant Examiner—Linda Brooks

(74) *Attorney, Agent, or Firm*—Fulbright & Jaworski L.L.P.

(57) **CLAIM**

The ornamental design for a torchiere tree lamp, substantially as shown and described.

DESCRIPTION

FIG. 1 is a perspective view of a torchiere tree lamp showing the design of the present invention; the portion shown in broken lines is to illustrate the environment of the design and forms no part thereof;

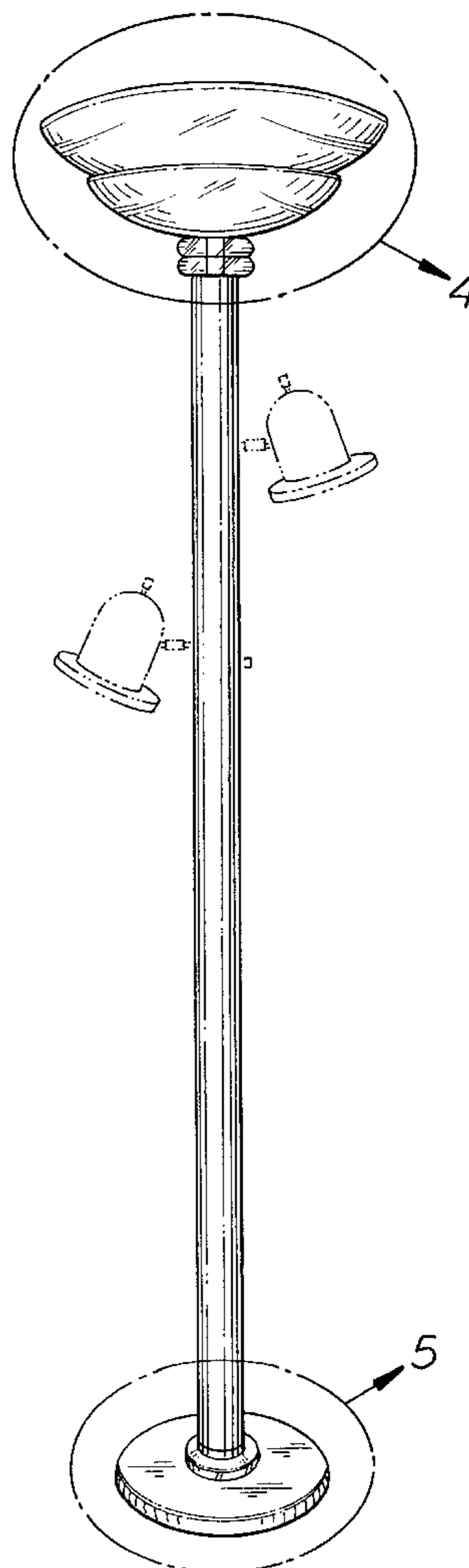
FIG. 2 is a top plan view thereof;

FIG. 3 is a bottom view thereof;

FIG. 4 is an enlarged front elevation view of the general area lighting portion thereof, shown broken away for convenience of illustration, the rear elevation is a mirror image; and,

FIG. 5 is an enlarged front elevation view of the base portion thereof, shown broken away for convenience of illustration, the rear elevation is a mirror image.

1 Claim, 2 Drawing Sheets



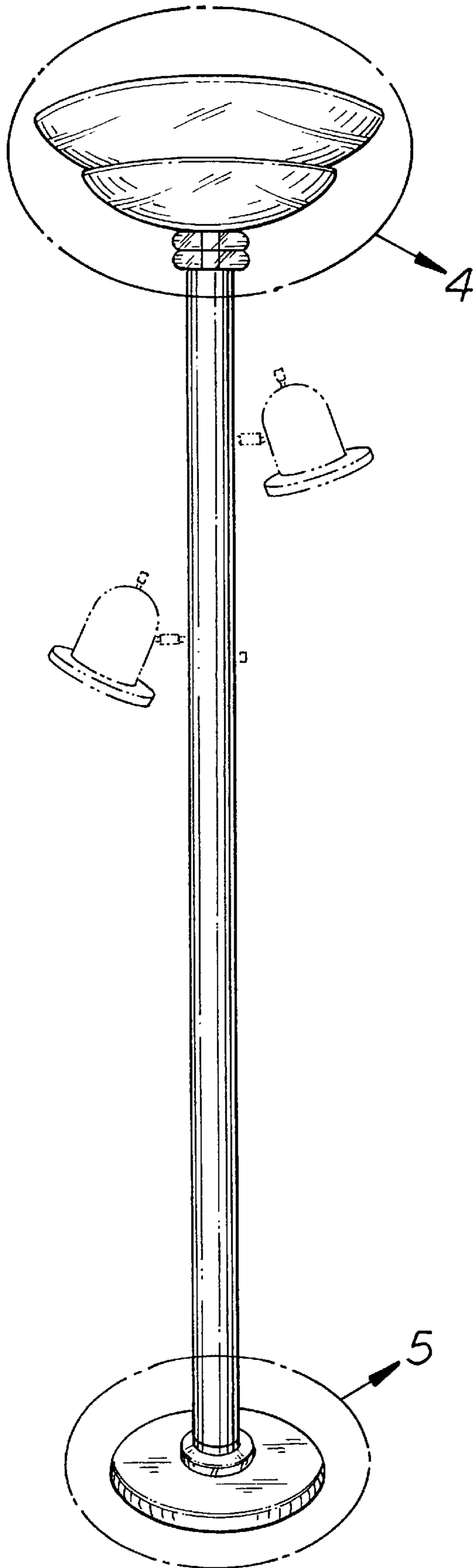


FIG. 1

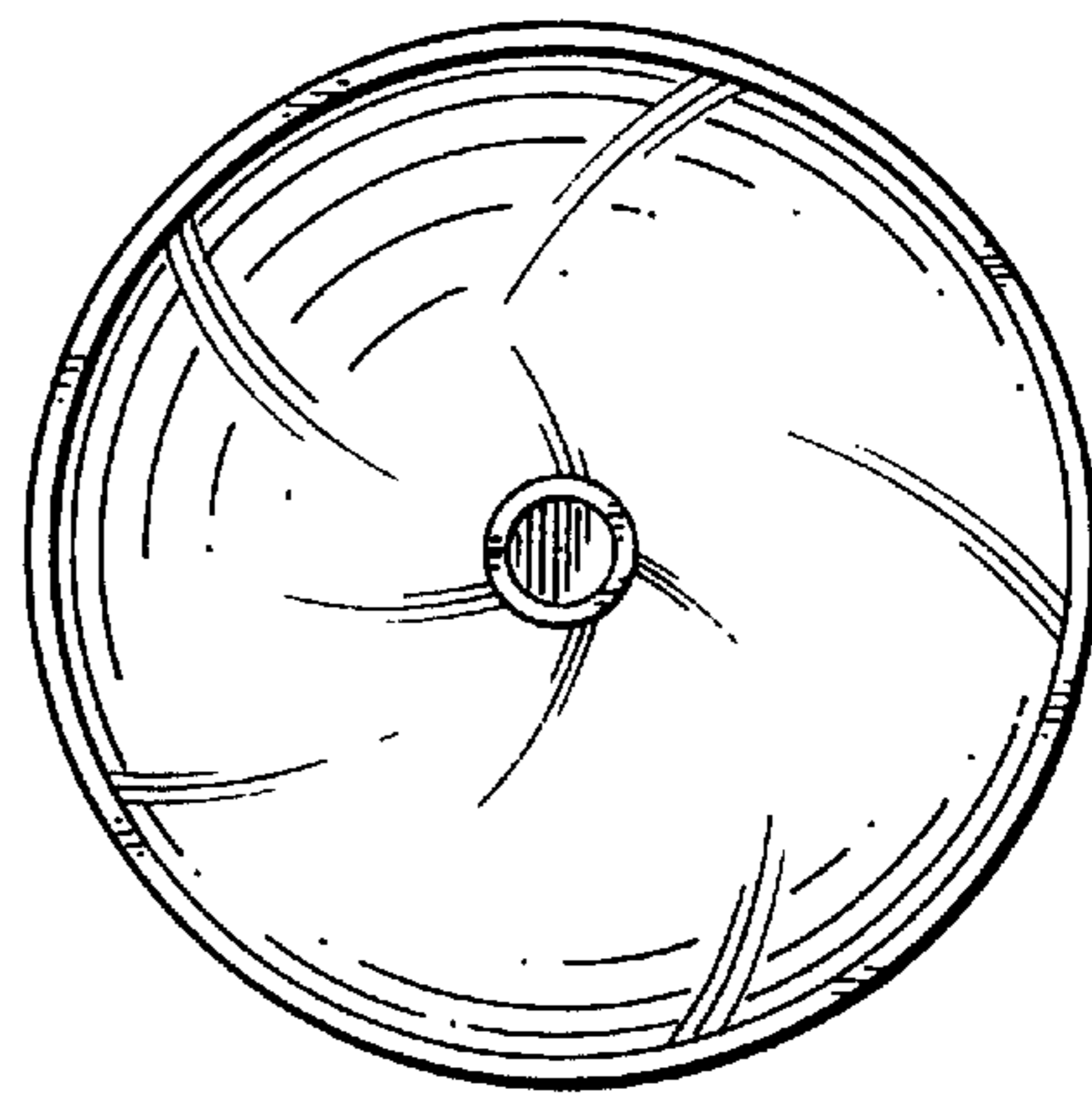


FIG. 2

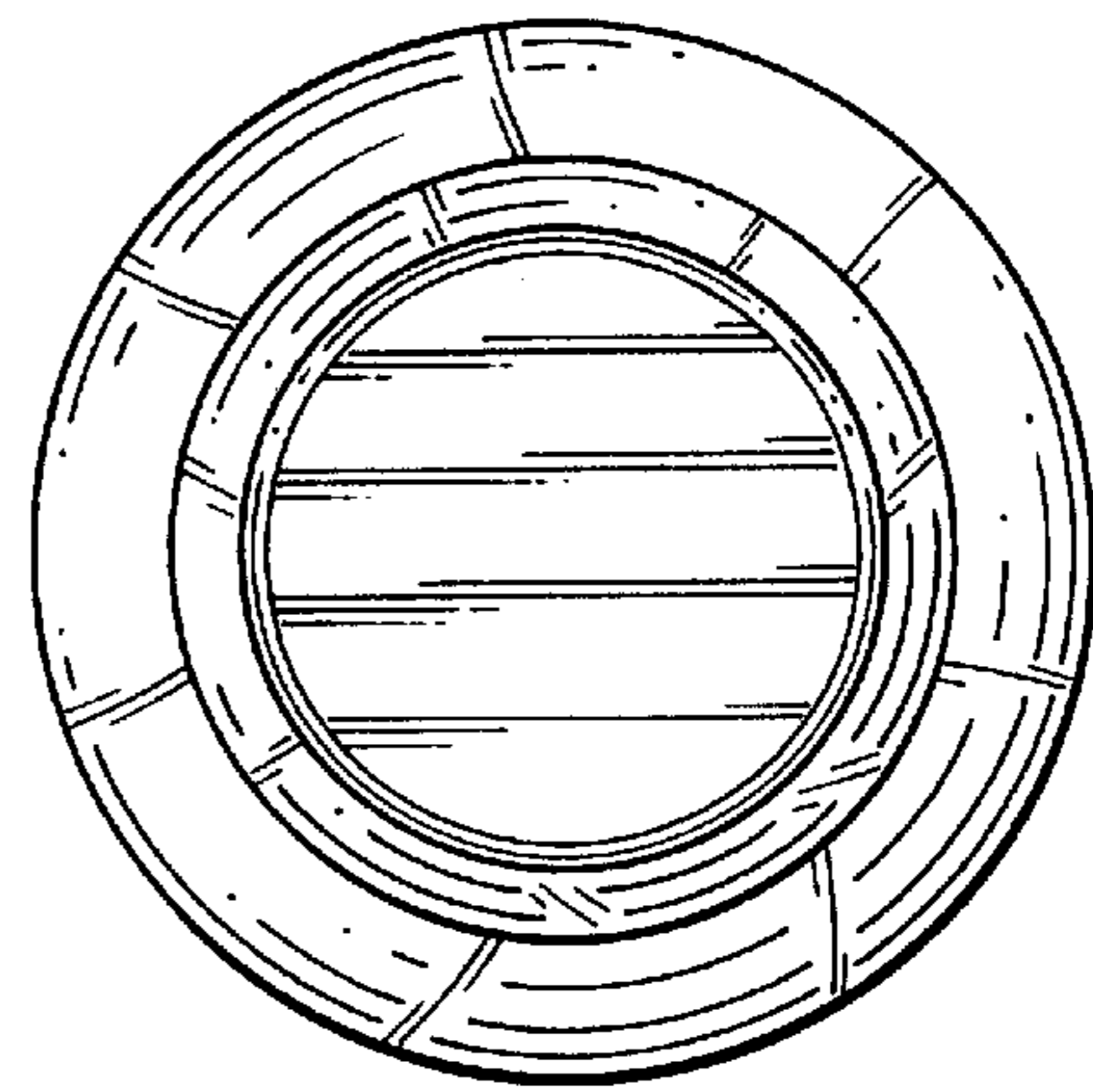


FIG. 3

FIG. 4

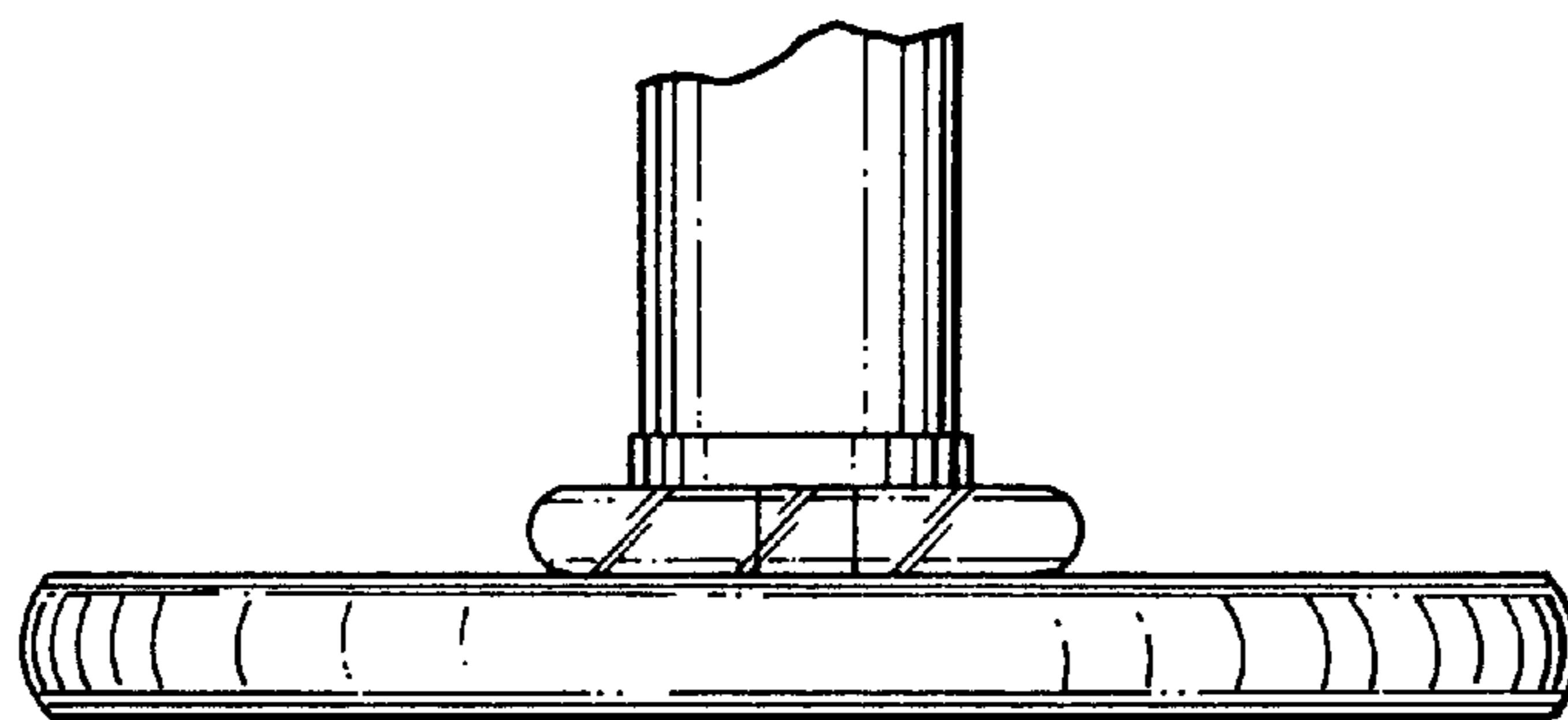
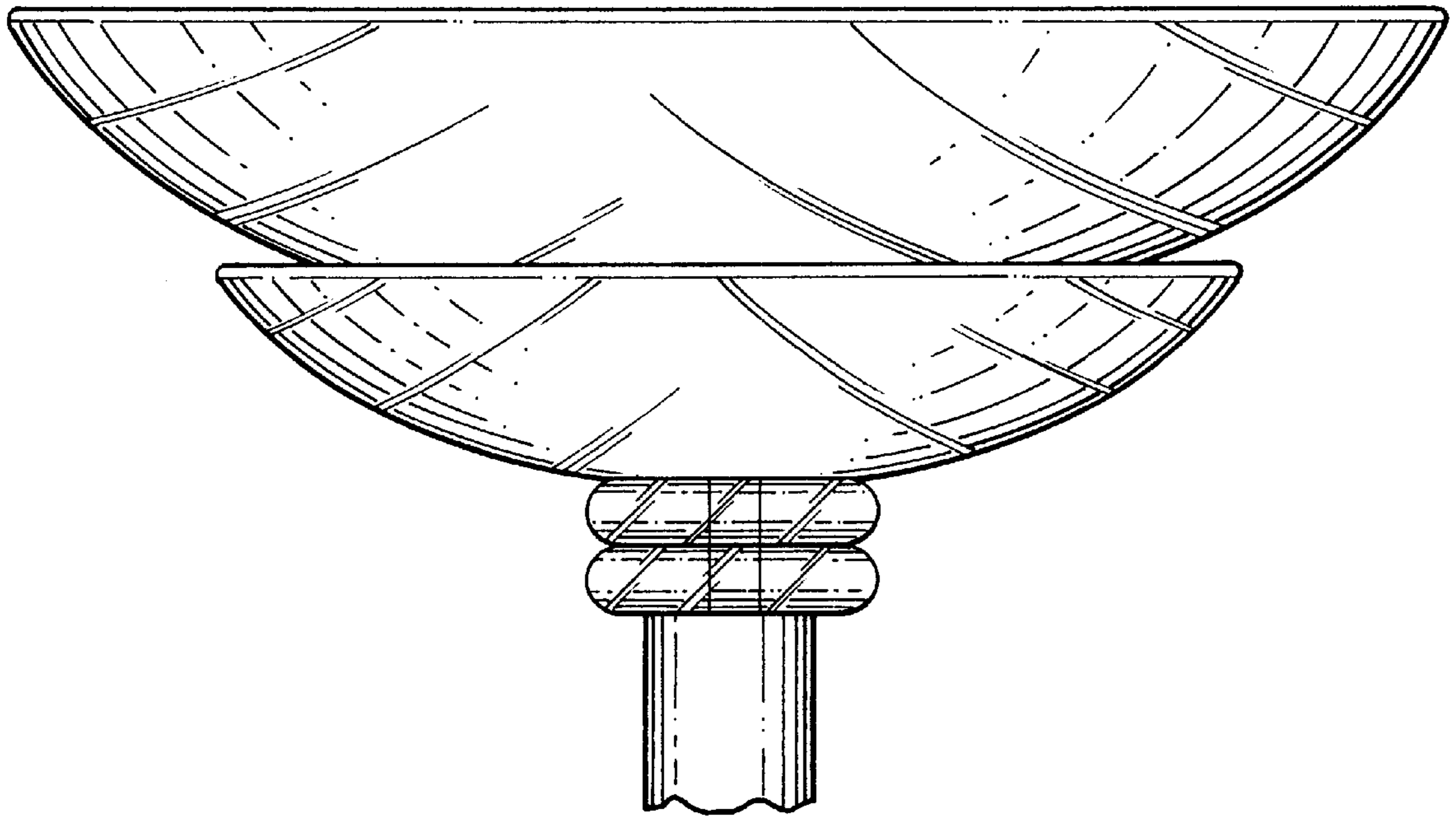


FIG. 5