



US00D453580S

(12) **United States Design Patent**
Lynch et al.

(10) **Patent No.:** **US D453,580 S**

(45) **Date of Patent:** **** Feb. 12, 2002**

- (54) **RECHARGEABLE FLASHLIGHT**
- (75) Inventors: **Peter F. Lynch**, Skaneateles; **Mark A. Ferguson**, Jamesville; **David A. Furth**; **Scott W. Osiecki**, both of Skaneateles, all of NY (US)
- (73) Assignee: **Eveready Battery Company, Inc.**, St. Louis, MO (US)
- (**) Term: **14 Years**
- (21) Appl. No.: **29/056,165**
- (22) Filed: **May 31, 1996**
- (51) **LOC (7) Cl.** **26-02**
- (52) **U.S. Cl.** **D26/46**
- (58) **Field of Search** D26/37-50; 362/157, 362/158, 183, 184, 187-202

- D276,658 S 12/1984 Yuen
- D280,029 S 8/1985 Petterson
- 4,556,932 A 12/1985 Lehrer et al.
- D283,254 S 4/1986 Fenne
- D284,707 S 7/1986 Tanaka
- D285,356 S 8/1986 Schosser et al.
- D288,245 S 2/1987 Corder et al.
- D291,838 S 9/1987 Tung
- D292,321 S 10/1987 Liu
- D296,011 S 5/1988 Adams
- D296,012 S 5/1988 Petterson
- D296,477 S 6/1988 Powell et al.
- D299,173 S 12/1988 Powell et al.
- D301,631 S 6/1989 Leung
- D301,750 S 6/1989 Fenne
- 4,857,702 A 8/1989 Cafaro

(List continued on next page.)

FOREIGN PATENT DOCUMENTS

DE 510300 A2 1/1992

Primary Examiner—Marcus A. Jackson
(74) *Attorney, Agent, or Firm*—Robert W. Welsh; S. Allan Fraser

(56) **References Cited**
U.S. PATENT DOCUMENTS

- D88,205 S 11/1932 Williams
- D112,635 S 12/1938 Ferris
- 3,192,378 A 6/1965 Oldenburger
- 3,222,513 A 12/1965 Feo
- 3,233,091 A 2/1966 Hunt
- D210,905 S 4/1968 Kahn
- D213,516 S 3/1969 Ashe
- 3,458,794 A 7/1969 Bohnstedt et al.
- D220,801 S 5/1971 Rams
- D248,504 S 7/1978 Rhoades et al.
- D251,632 S 4/1979 Lievin
- 4,177,500 A 12/1979 Nicholl et al.
- D254,514 S 3/1980 Nicholl et al.
- D255,839 S 7/1980 Sassmannshausen
- 4,228,484 A 10/1980 Johnstone
- D262,578 S 1/1982 Nicholl et al.
- D263,630 S 3/1982 Wong
- D266,957 S 11/1982 Lee
- 4,412,168 A 10/1983 Sell
- D273,048 S 3/1984 Chan
- D274,368 S 6/1984 Skarman
- D275,423 S 9/1984 Stansbury, Jr. et al.
- D276,375 S 11/1984 Fenne

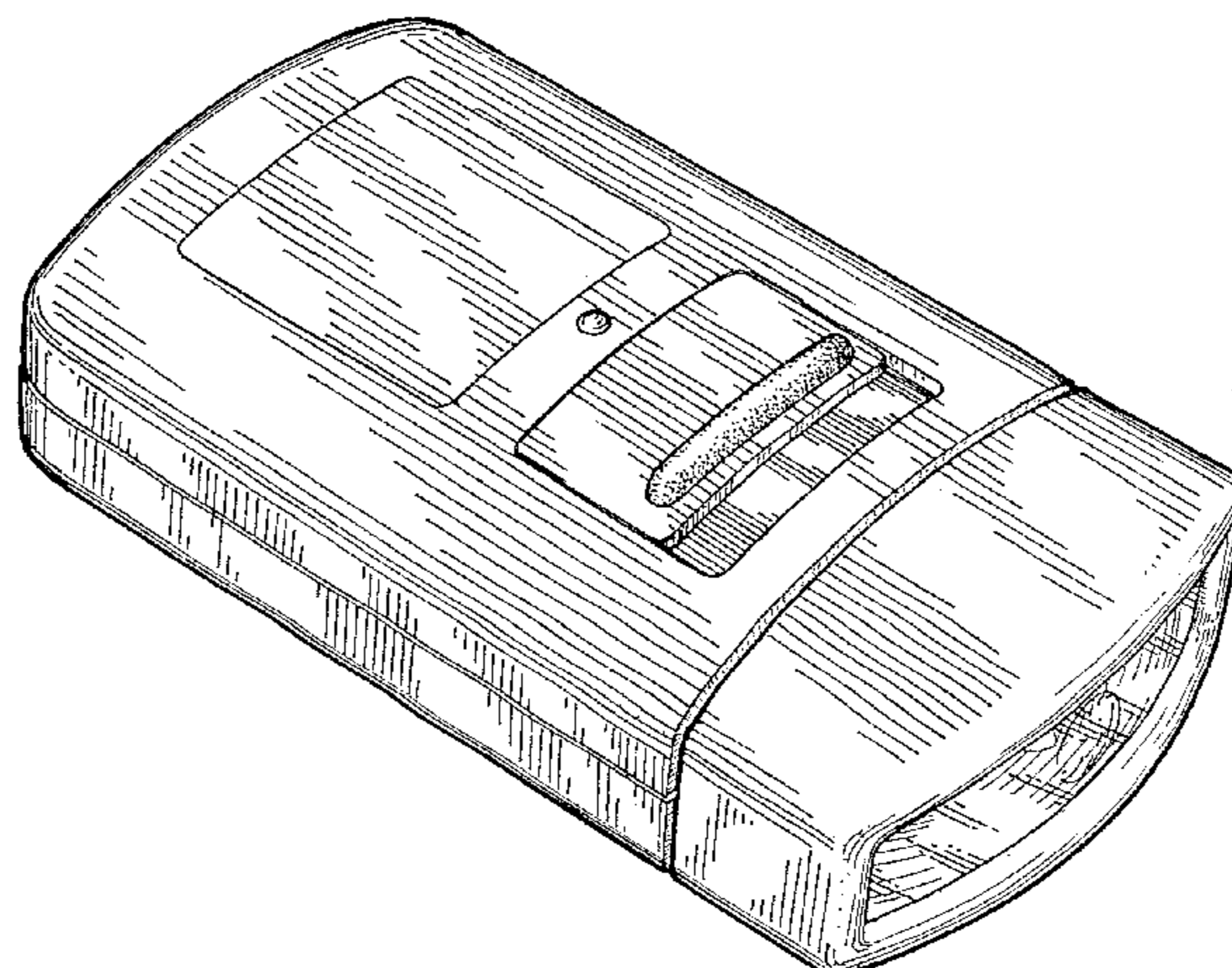
(57) **CLAIM**

The ornamental design for a rechargeable flashlight, as shown and described.

DESCRIPTION

FIG. 1 is a perspective view of one embodiment of the rechargeable flashlight;
 FIG. 2 is a side view of the rechargeable flashlight shown in FIG. 1;
 FIG. 3 is a plan view of the rechargeable flashlight shown in FIG. 1;
 FIG. 4 is an end view of the rechargeable flashlight shown in FIG. 1;
 FIG. 5 is a bottom plan view of the rechargeable flashlight shown in FIG. 4; and,
 FIG. 6 is another end view of the rechargeable flashlight opposite that shown in FIG. 4.

1 Claim, 2 Drawing Sheets



US D453,580 S

Page 2

U.S. PATENT DOCUMENTS

D308,257 S	5/1990	Staubitz et al.	D343,015 S	1/1994	Yuen
D312,138 S	11/1990	Burns	D343,468 S	1/1994	Yuen
D313,665 S	1/1991	Yuen	D343,469 S	1/1994	Yuen
D314,243 S	* 1/1991	Ueda D26/28	D348,942 S	7/1994	Yuen
D315,608 S	3/1991	Petterson et al.	D350,407 S	9/1994	Yuen
D320,463 S	10/1991	Pettersen et al.	D352,564 S	11/1994	Marischen
D323,404 S	1/1992	Fenne	5,401,178 A	3/1995	Liu
D324,110 S	2/1992	Yuen	D357,757 S	4/1995	Bamber et al.
D324,580 S	3/1992	Young	D357,989 S	* 5/1995	Nagano D26/28
D326,923 S	6/1992	Yuen	D361,633 S	* 8/1995	Chabria D26/37
D328,145 S	7/1992	Yuen	D363,138 S	10/1995	Poon
D331,118 S	11/1992	Yeung	D364,476 S	11/1995	Pettersen
5,160,879 A	11/1992	Tortola et al.	D366,127 S	1/1996	Yuen
D332,321 S	1/1993	Yuen	D374,492 S	* 10/1996	Coe D26/37
D336,965 S	6/1993	Yau	D375,569 S	* 11/1996	Hwang D26/37
5,220,152 A	6/1993	Doran			

* cited by examiner

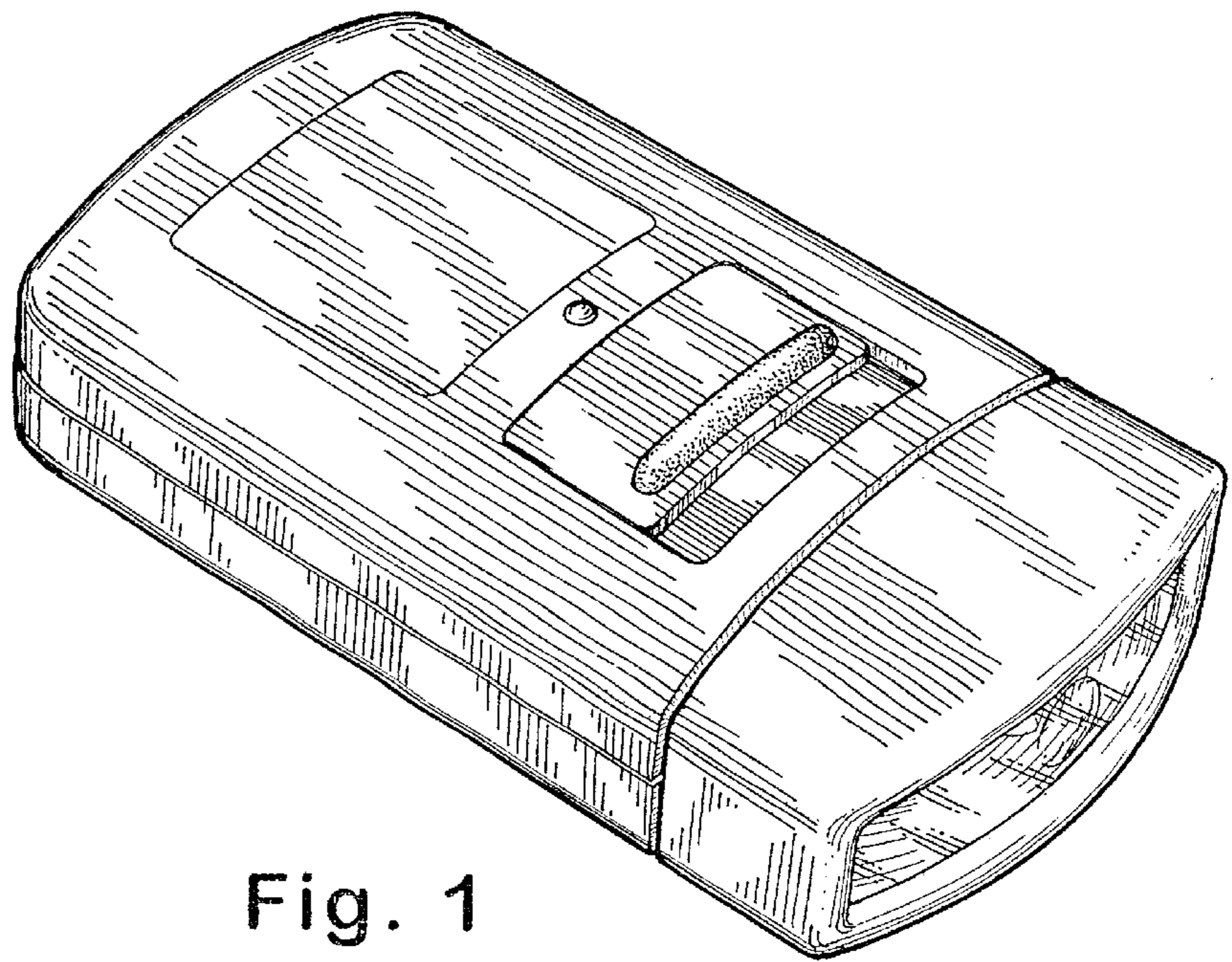


Fig. 1

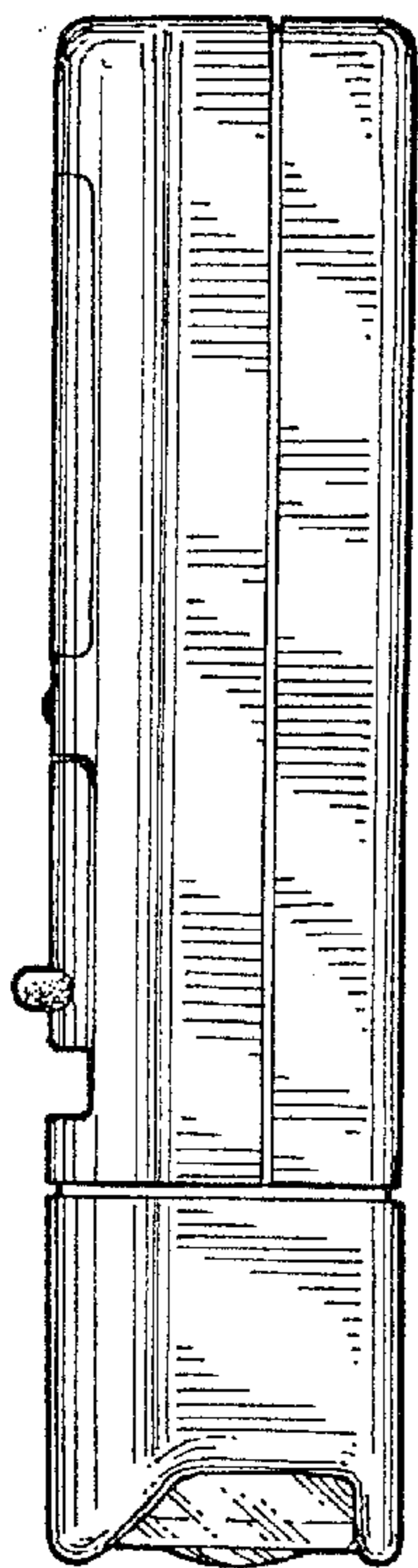


Fig. 2

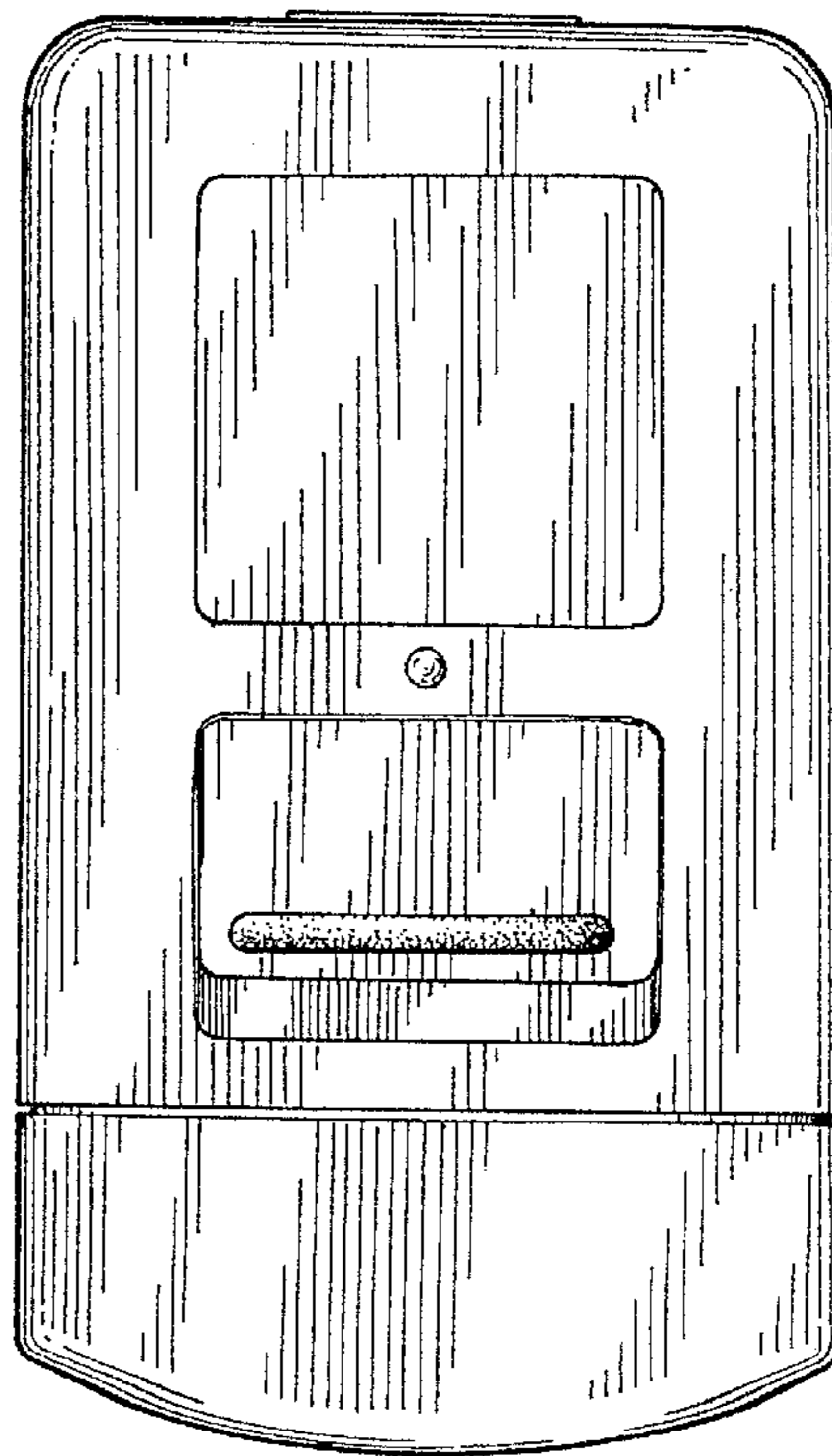


Fig. 3

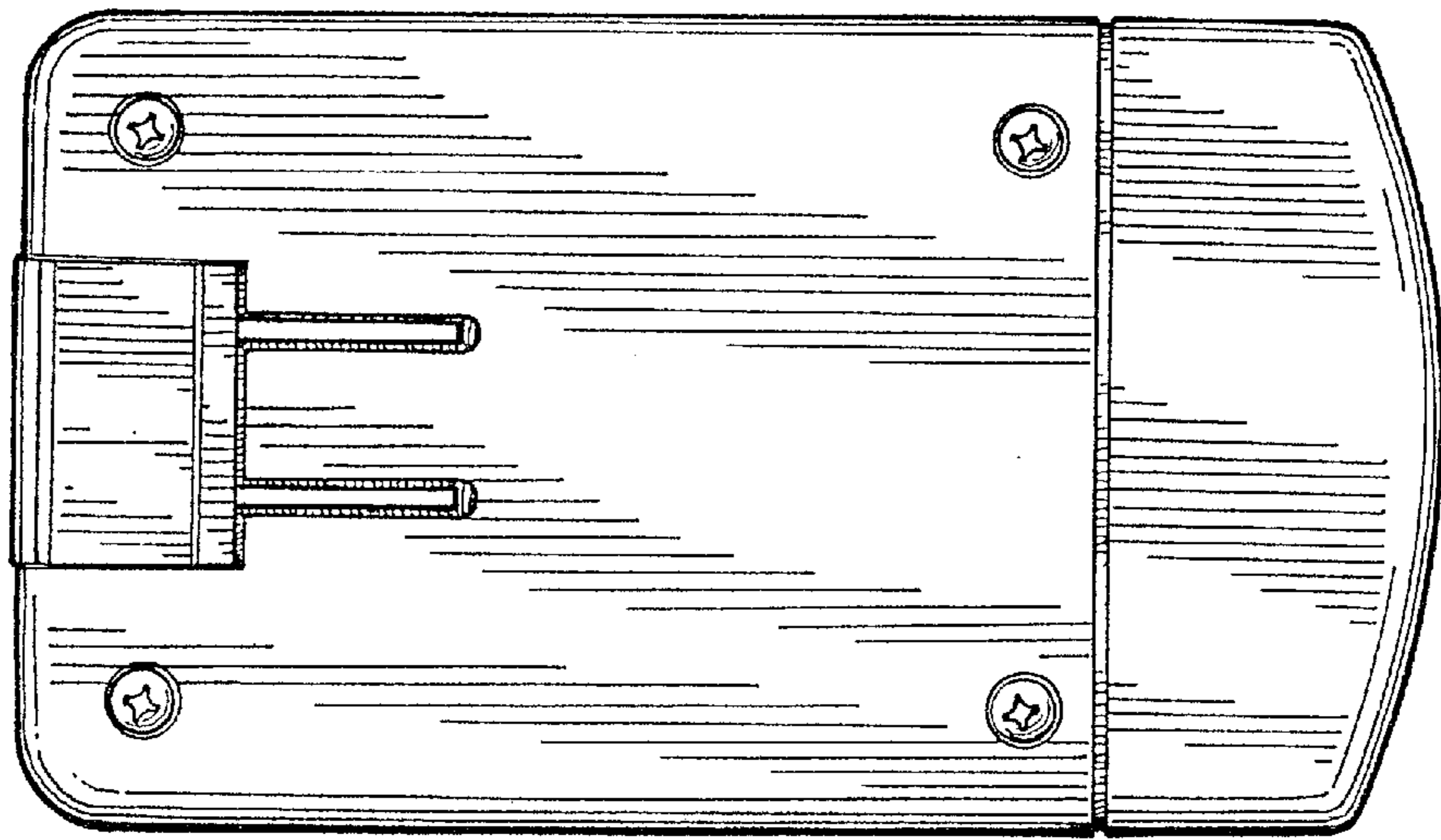


Fig. 5

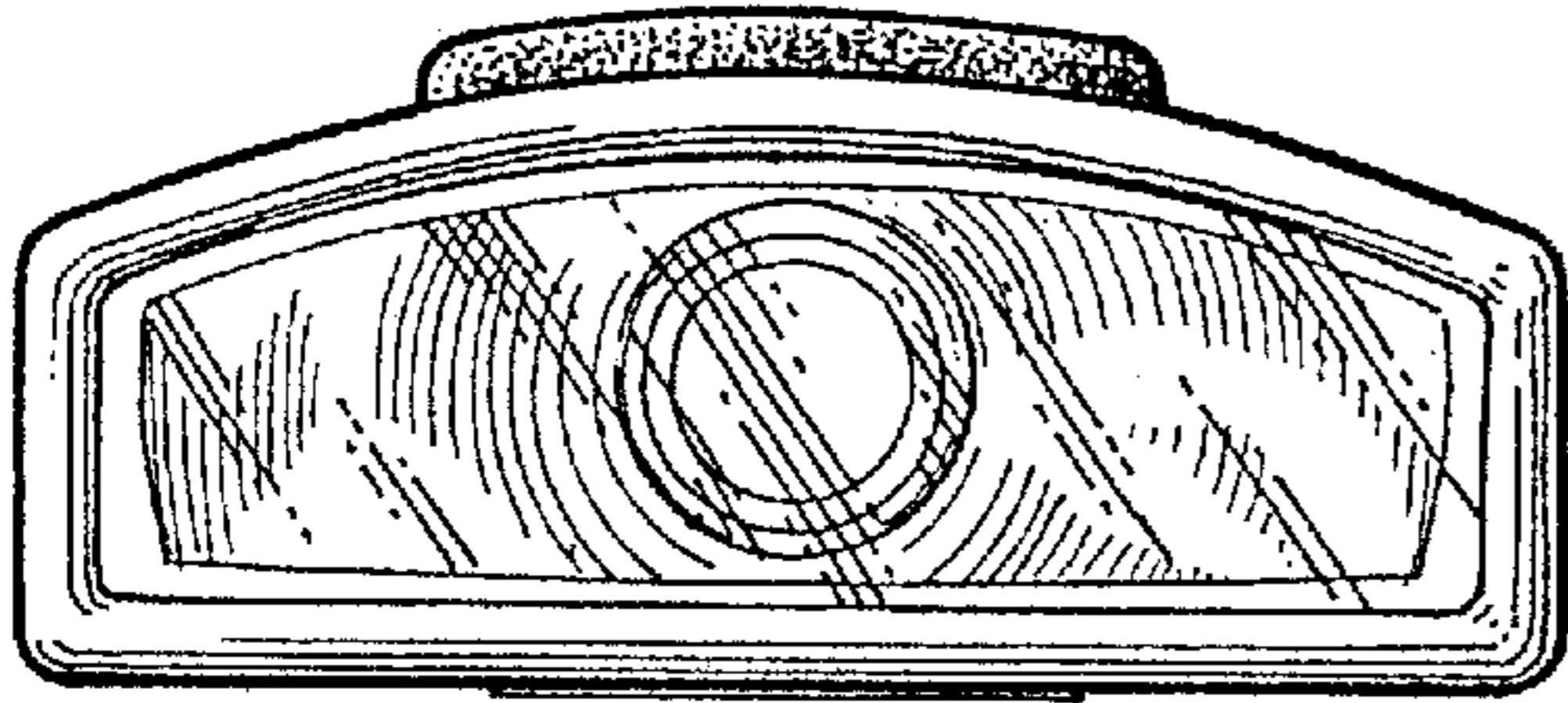


Fig. 4

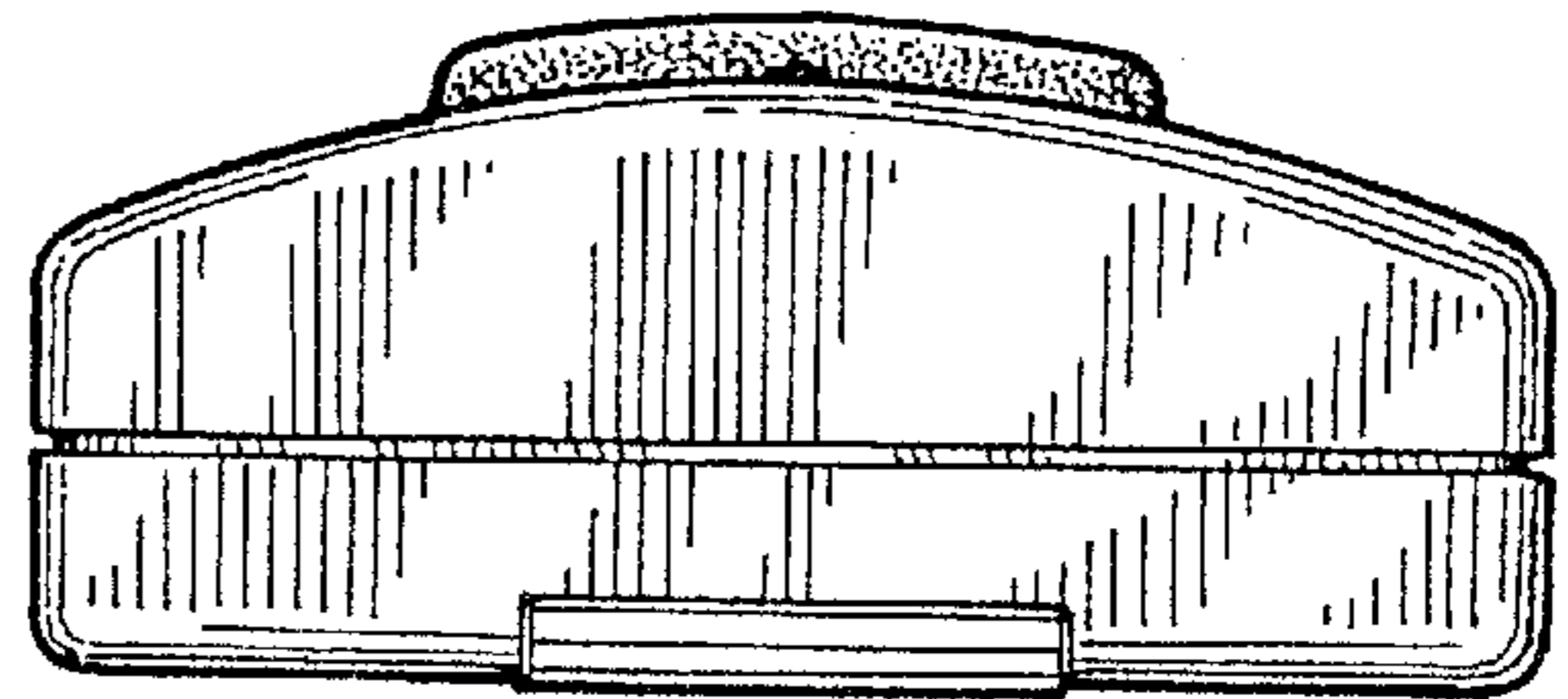


Fig. 6