



US00D453573S

(12) **United States Design Patent**
Lafond et al.

(10) **Patent No.:** **US D453,573 S**

(45) **Date of Patent:** **** Feb. 12, 2002**

(54) **MICROCENTRIFUGE TUBE STRIP**

(75) Inventors: **André Lafond**, St-Hilaire; **Yanick Bertin**, Verchères, both of (CA)

(73) Assignee: **3088081 Canada Inc.**, St-Hilaire (CA)

(**) Term: **14 Years**

(21) Appl. No.: **29/137,983**

(22) Filed: **Mar. 5, 2001**

(51) **LOC (7) Cl.** **24-02**

(52) **U.S. Cl.** **D24/224; D24/216**

(58) **Field of Search** **D24/224, 216; 422/102, 104, 101; 435/288.1, 304.1, 305.1, 305.2, 305.3, 288.4; 220/23.4, 23.2, DIG. 3, DIG. 7, DIG. 19**

(56) **References Cited**

U.S. PATENT DOCUMENTS

5,683,659 A * 11/1997 Hovatter 422/102
5,753,186 A * 5/1998 Hanley et al. 422/102

5,863,791 A * 1/1999 Baldszun et al. 435/288.1
6,001,310 A * 12/1999 Shaffer et al. 422/102
6,136,273 A * 10/2000 Seguin et al. 422/102
D445,907 S * 7/2001 Monks D24/224

* cited by examiner

Primary Examiner—Ian Simmons

(74) *Attorney, Agent, or Firm*—Jean H. Dubuc

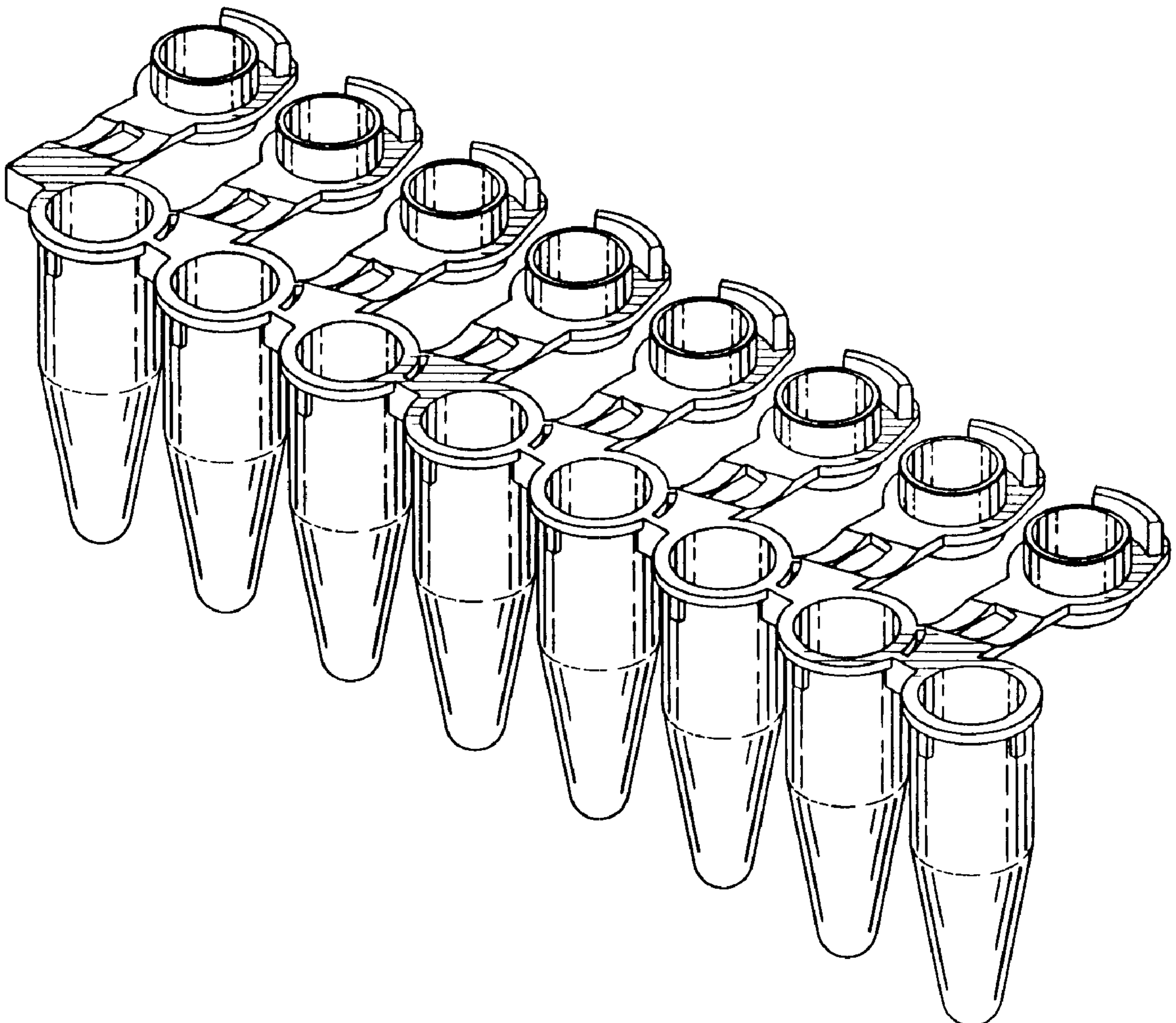
(57) **CLAIM**

The ornamental design for a microcentrifuge tube strip, as shown and described.

DESCRIPTION

FIG. 1 is a perspective view showing our new design; FIG. 2 is a front elevational view thereof; FIG. 3 is a top view thereof; FIG. 4 is a side view thereof as seen from the right of FIG. 3; FIG. 5 is a side view thereof as seen from the left of FIG. 3; FIG. 6 is a rear view thereof; and, FIG. 7 is a bottom view thereof.

1 Claim, 2 Drawing Sheets



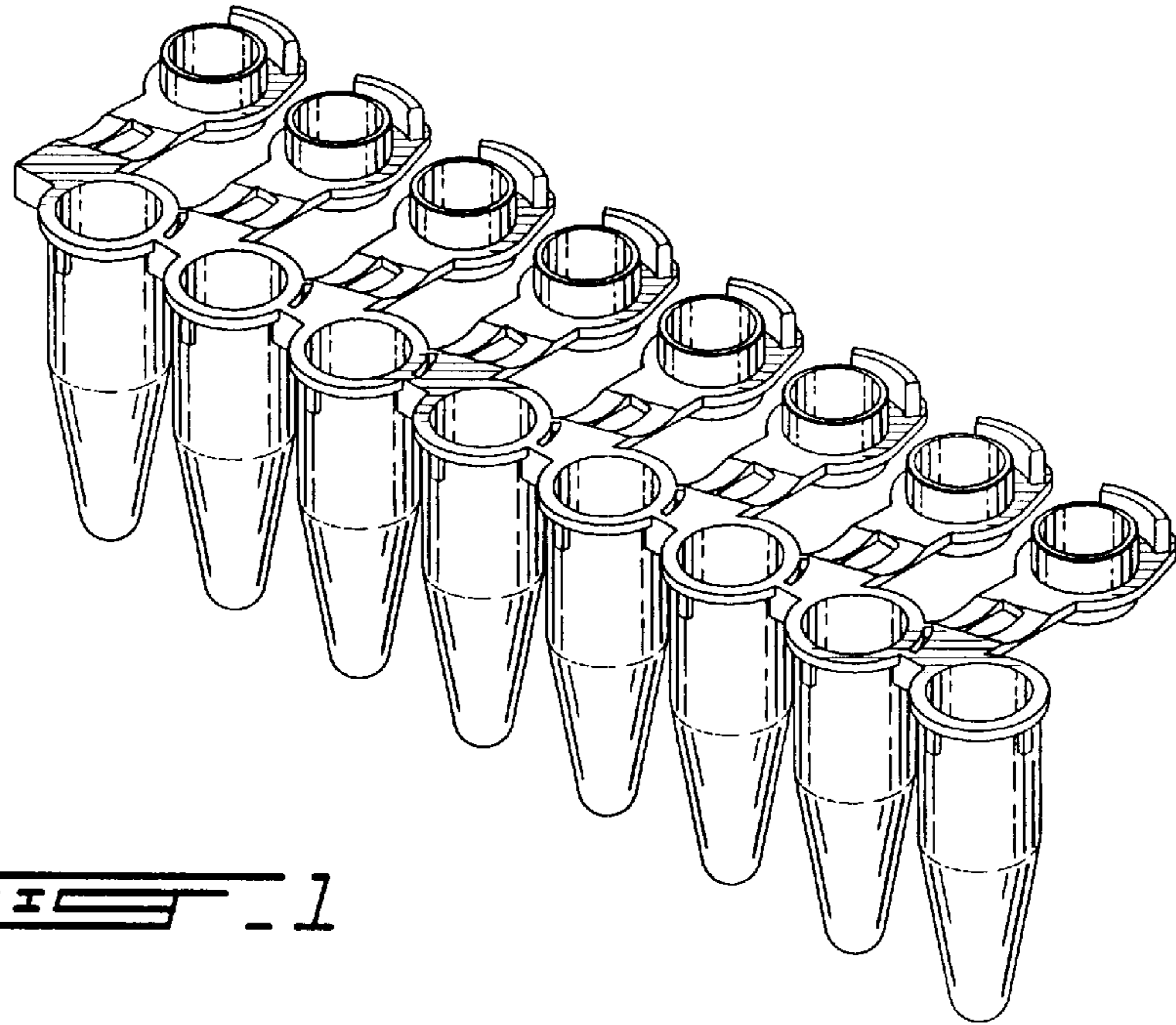


FIG. 1

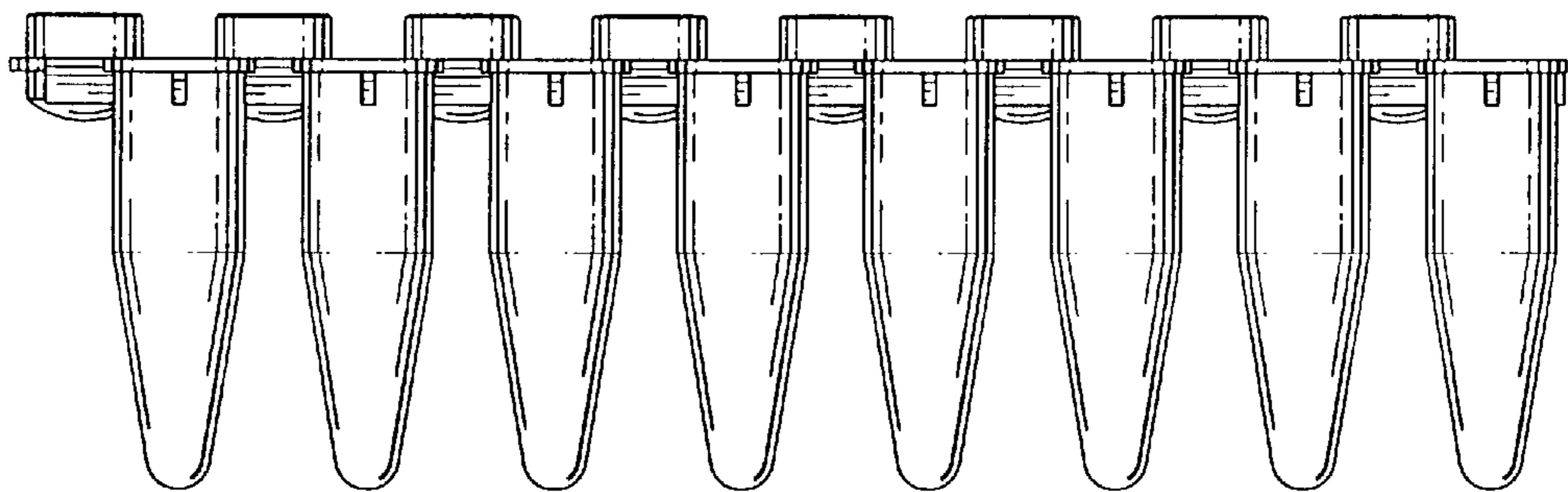


FIG. 2

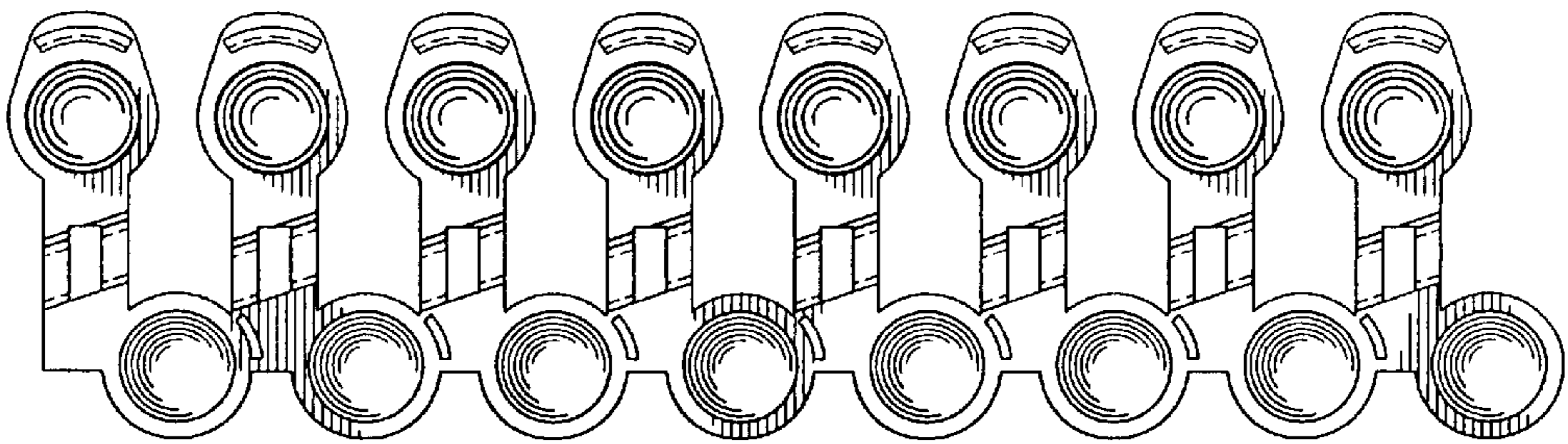


FIG. 3

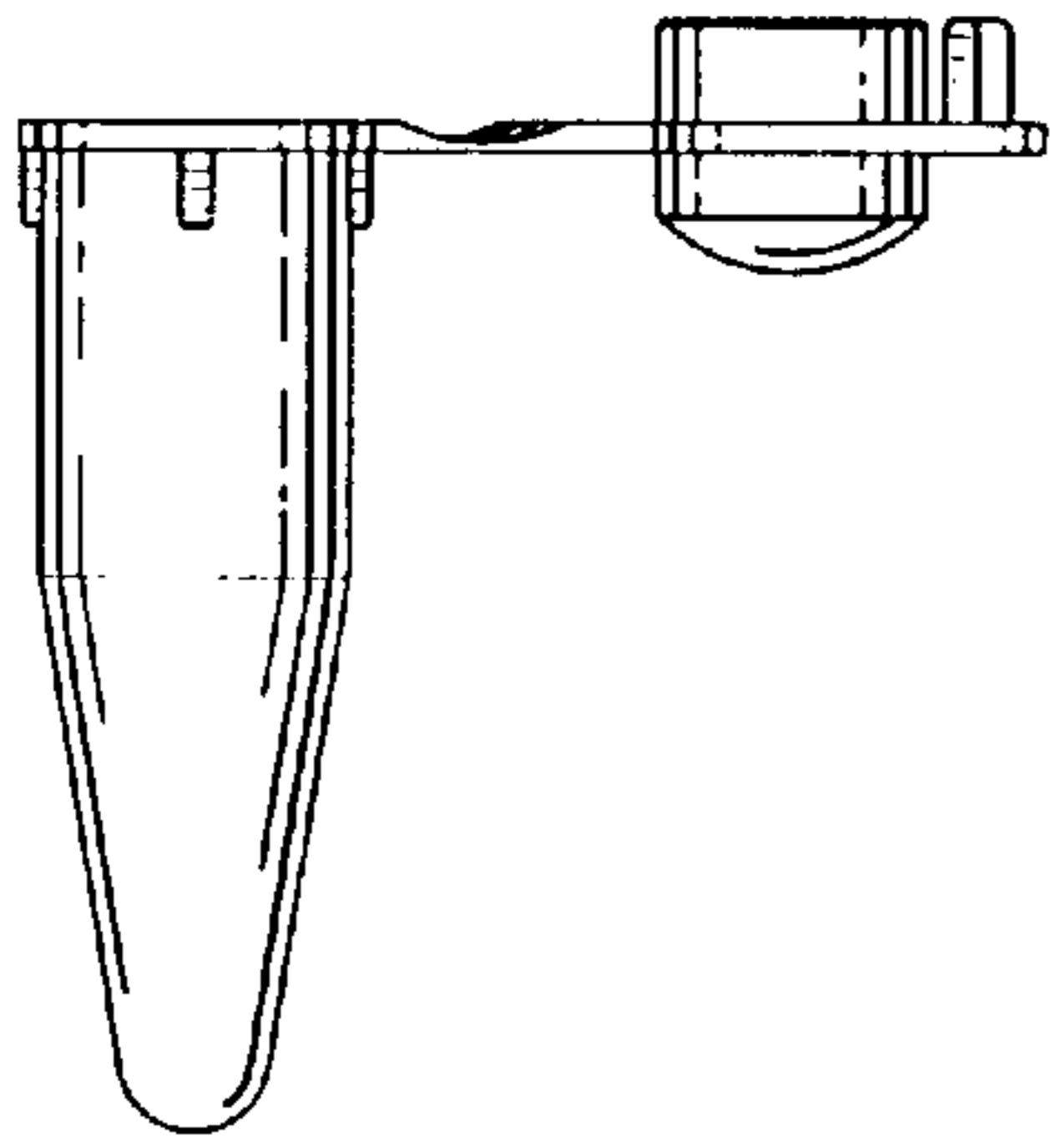


FIG. 4

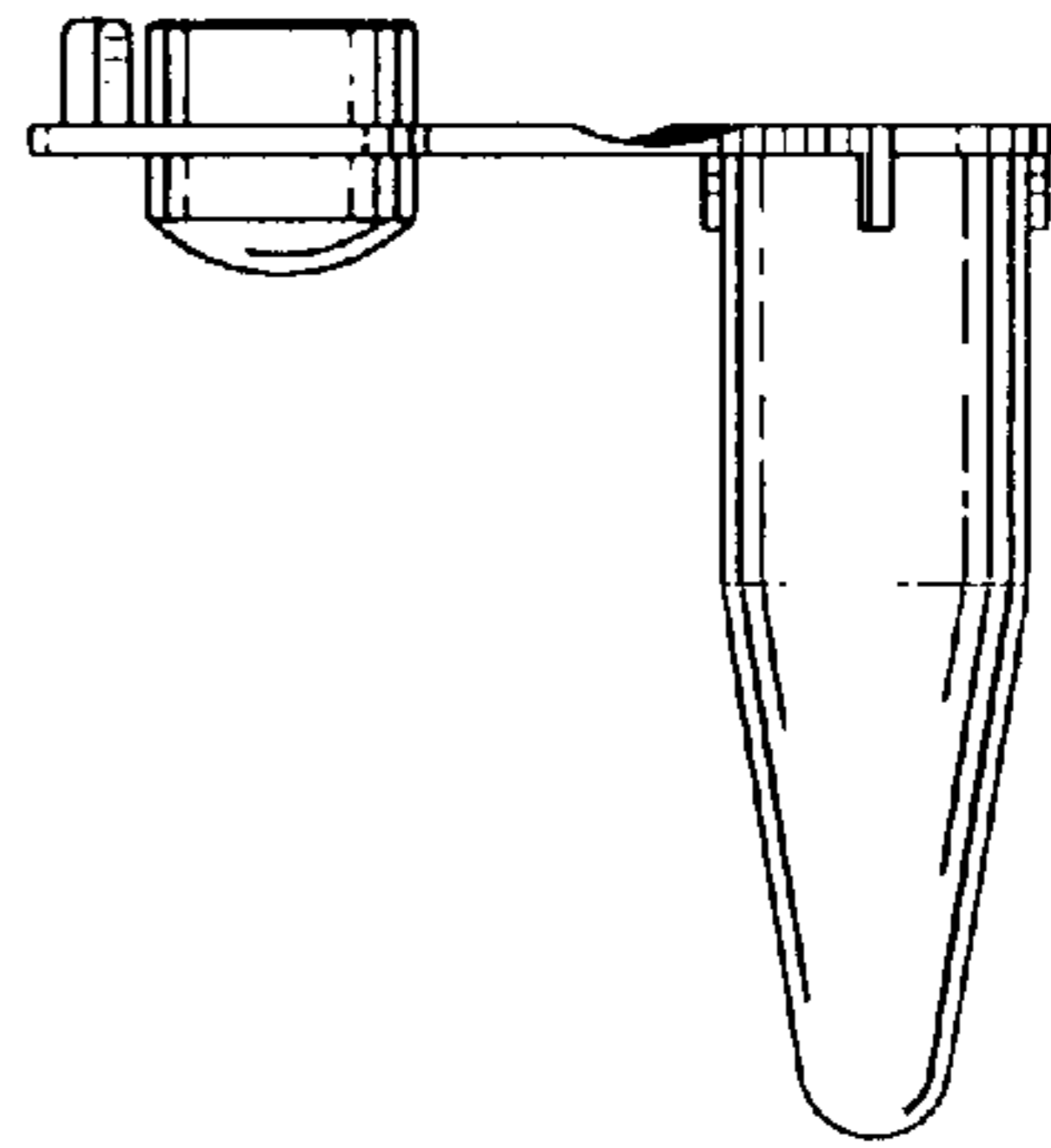


FIG. 5

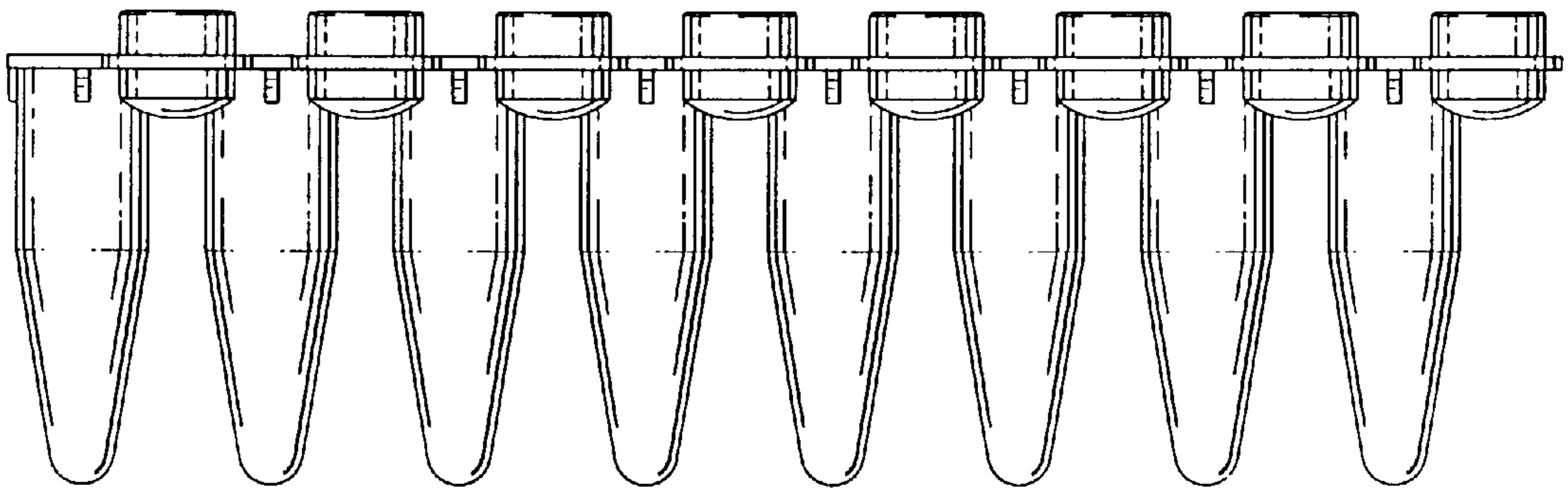


FIG. 6

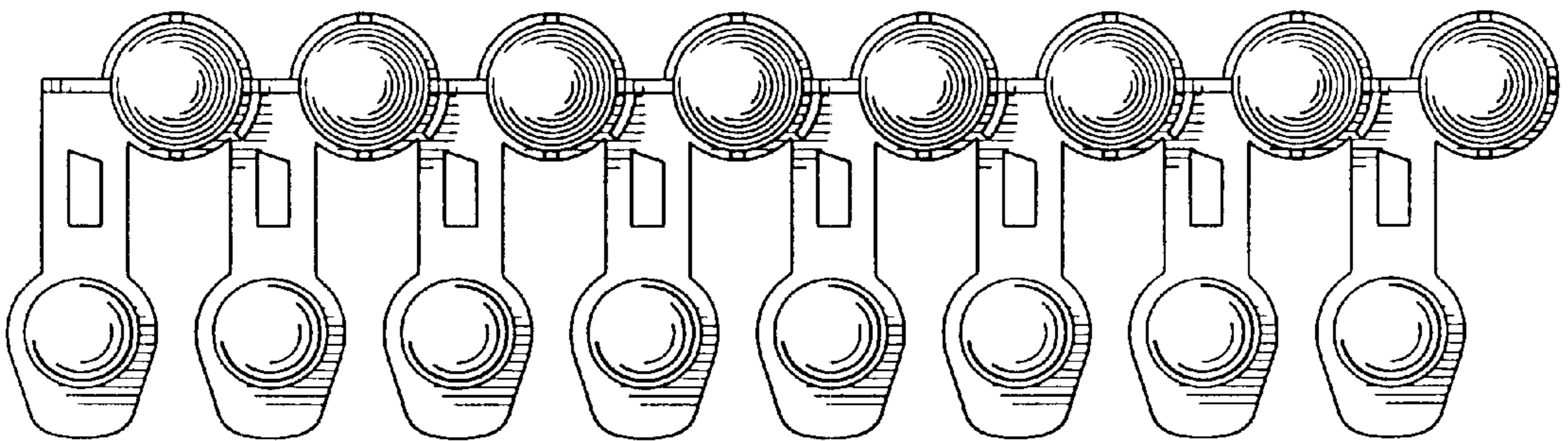


FIG. 7