



US00D453572S

(12) **United States Design Patent**  
**Livecchi**

(10) **Patent No.:** **US D453,572 S**

(45) **Date of Patent:** **\*\* Feb. 12, 2002**

(54) **BOTTLE HOLDER**

5,855,304 A 1/1999 Dean et al.  
5,985,219 A 11/1999 Lind

(76) Inventor: **Chris M Livecchi**, 63 Springblossom  
Cir., Henrietta, NY (US) 14467

\* cited by examiner

(\*\*) Term: **14 Years**

*Primary Examiner*—Stella Reid

(21) Appl. No.: **29/136,583**

(57) **CLAIM**

(22) Filed: **Feb. 2, 2001**

The ornamental design for a bottle holder, as shown and described.

(51) **LOC (7) Cl.** ..... **24-02**

**DESCRIPTION**

(52) **U.S. Cl.** ..... **D24/224**

(58) **Field of Search** ..... D24/224, 227;  
422/63, 64, 67, 68, 99, 102, 104

FIG. 1 is a front elevational view of the bottle holder of the present invention, the rear view being a mirror image thereof;

(56) **References Cited**

**U.S. PATENT DOCUMENTS**

2,988,333 A	*	6/1961	Mesic	.....	D24/227 X
4,015,940 A		4/1977	Conlon		
D295,962 S	*	5/1988	Conlon	.....	D9/455
D295,963 S	*	5/1988	Conlon	.....	D9/455
D297,366 S	*	8/1988	Hsei	.....	D24/226
D307,869 S		5/1990	Miskinis		
5,407,640 A		4/1995	Iles		
5,560,578 A		10/1996	Schenken et al.		

FIG. 2 is a left side elevational view of the bottle holder of FIG. 1, the right view being a mirror image thereof;

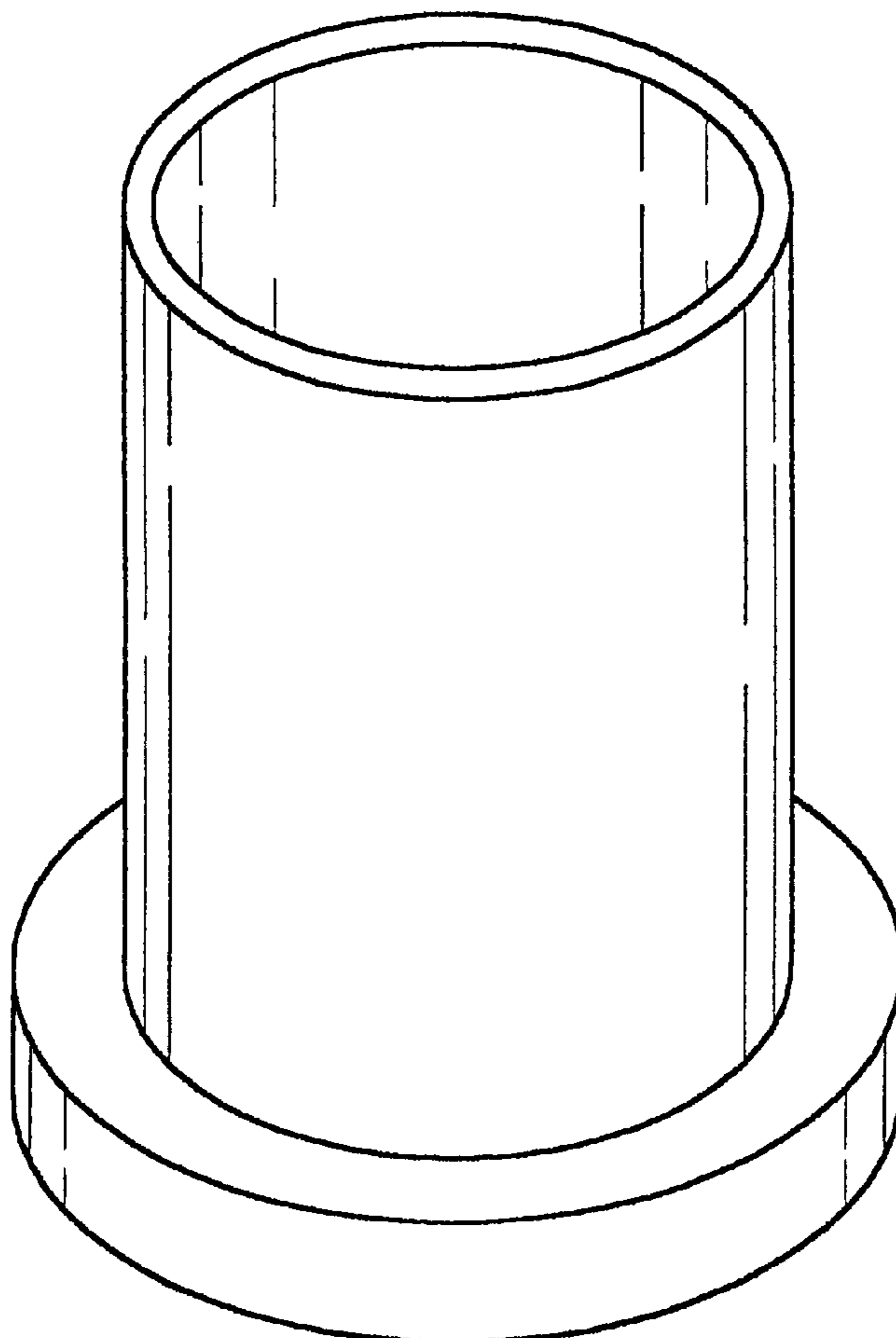
FIG. 3 is a top plan view of the bottle holder of FIG. 1;

FIG. 4 is a bottom plan view of the bottle holder of FIG. 1;

FIG. 5 is a top, front, perspective view of the bottle holder of FIG. 1; and,

FIG. 6 is a cross-sectional view taken along line 6—6 of FIG. 1.

**1 Claim, 3 Drawing Sheets**



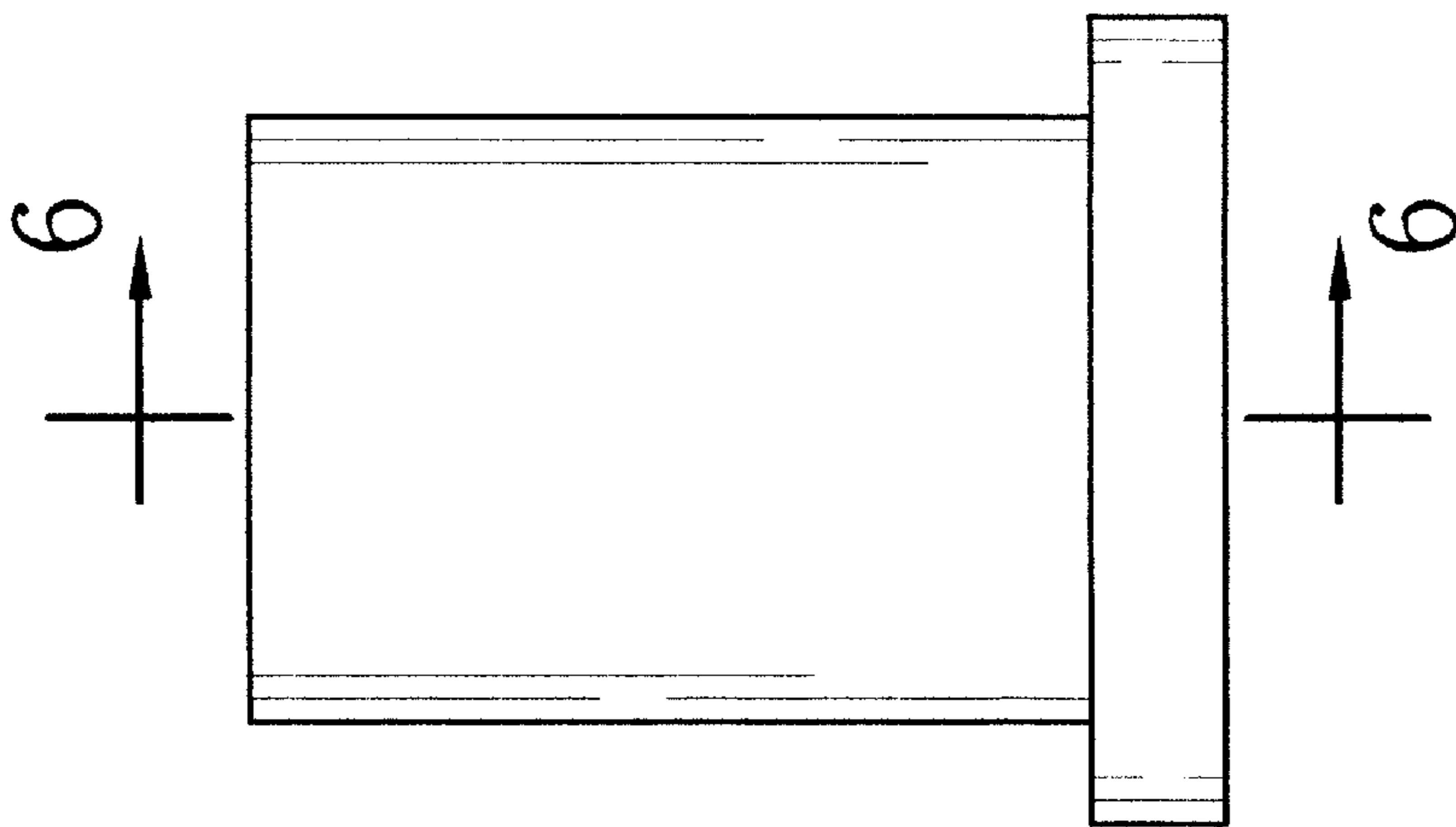


FIG. 1

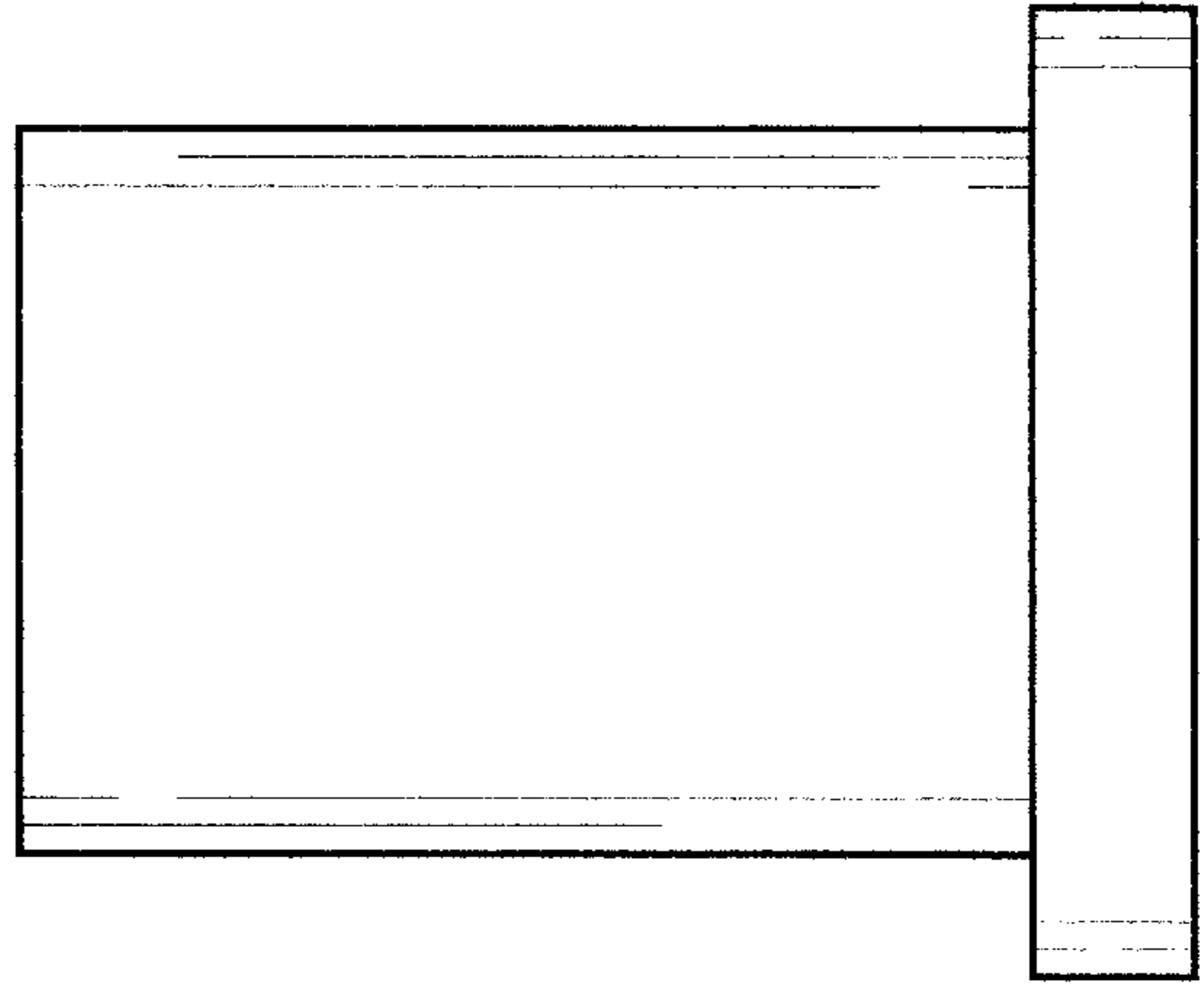


FIG. 2

FIG. 3

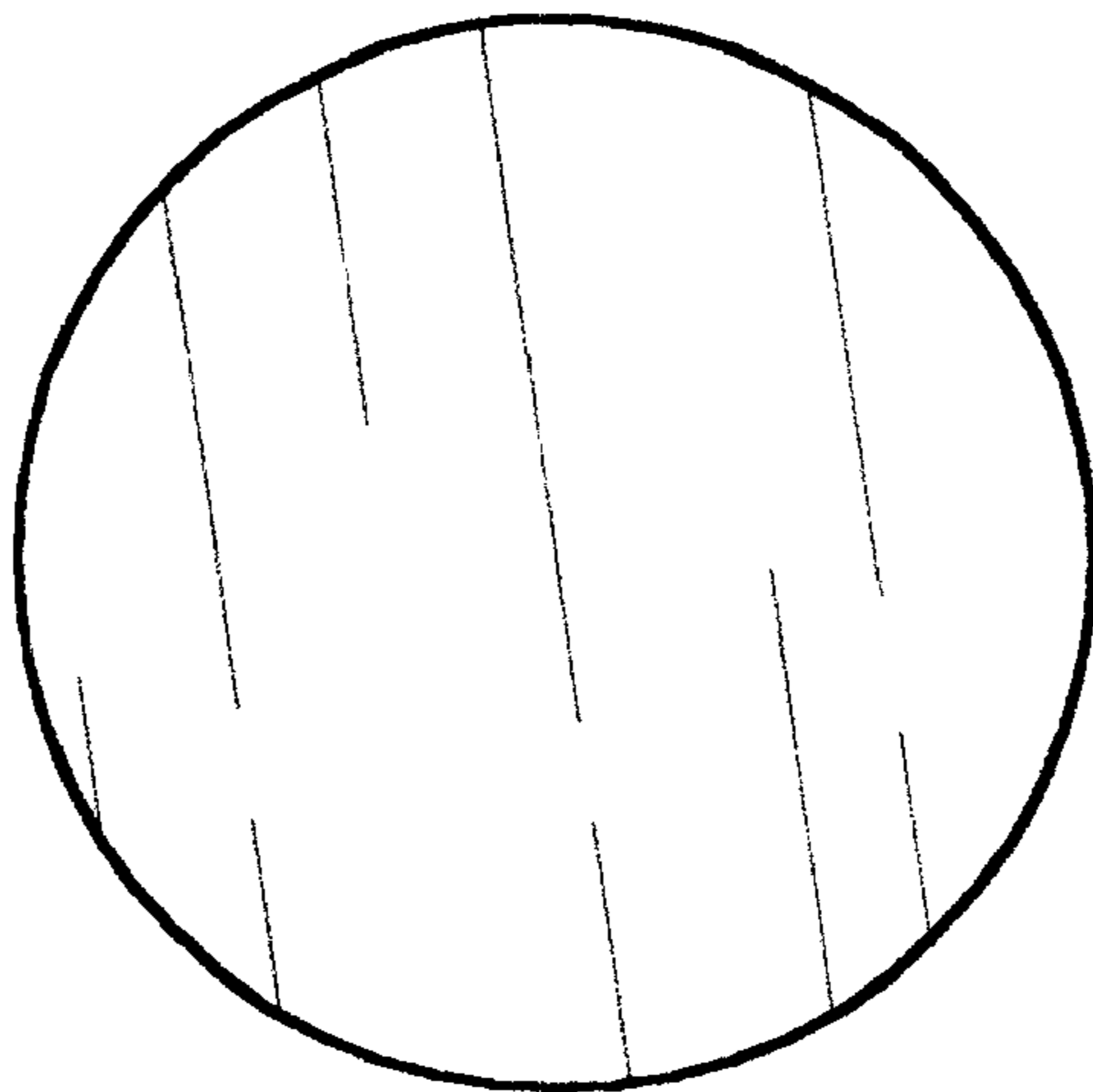
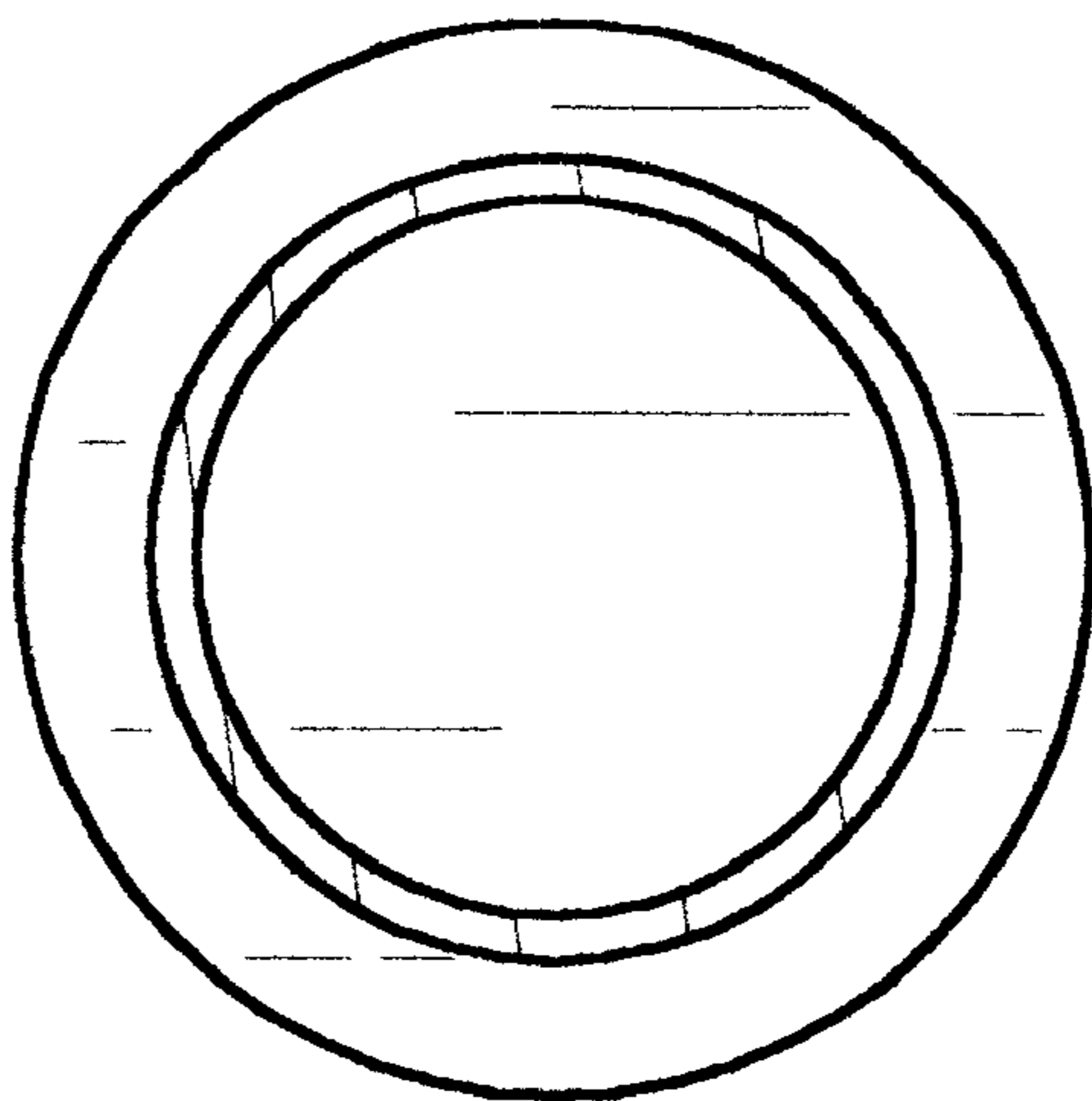


FIG. 4

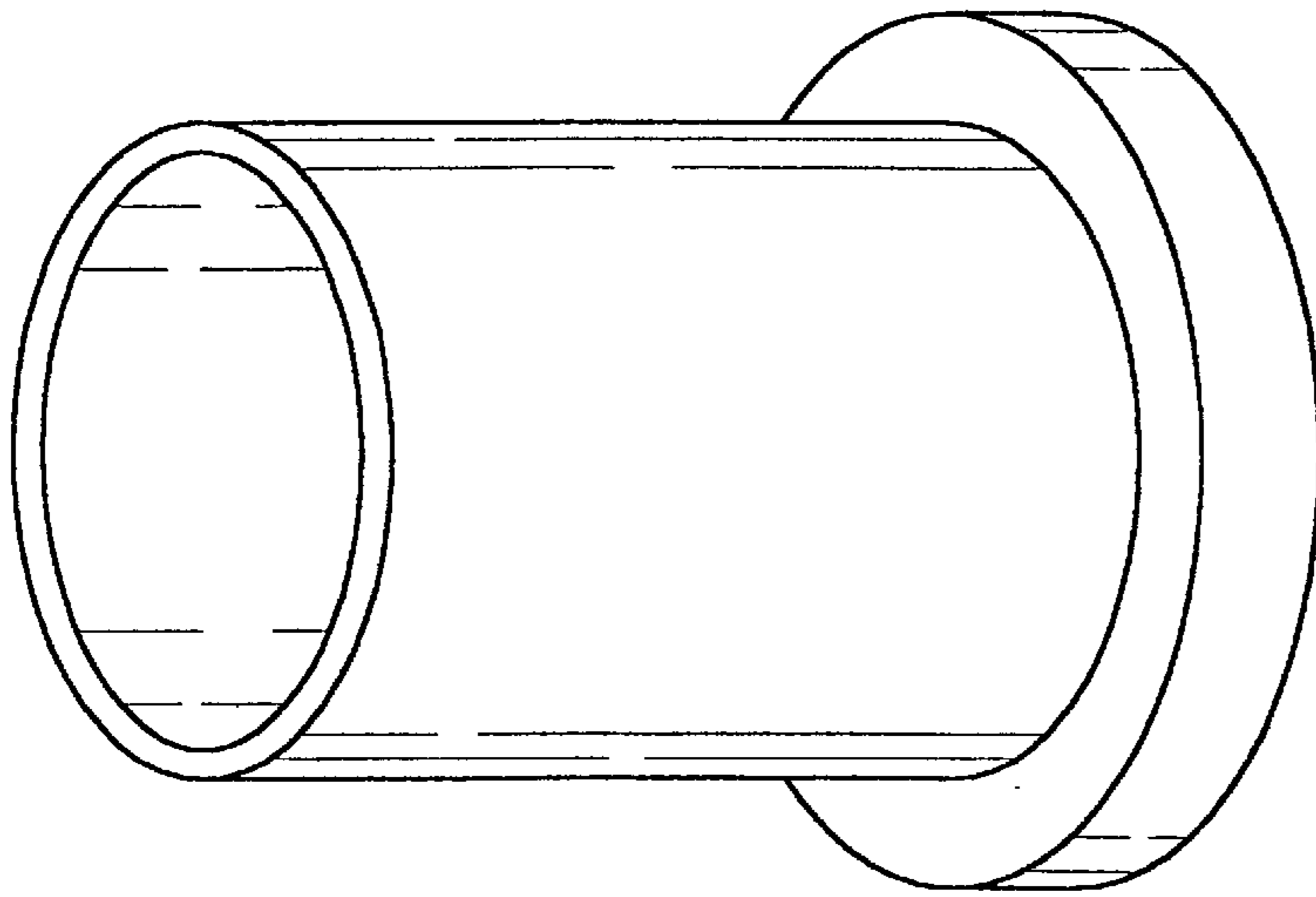


FIG. 5

FIG. 6

