



US00D453568S

(12) **United States Design Patent**
Klepsvik

(10) **Patent No.:** **US D453,568 S**

(45) **Date of Patent:** **** Feb. 12, 2002**

(54) **INTUBATION TUBE HOLDER**

(75) **Inventor:** **Harald Klepsvik, Volda (NO)**

(73) **Assignee:** **Polar Medica AS, Mosjoen (NO)**

(**) **Term:** **14 Years**

(21) **Appl. No.:** **29/122,267**

(22) **Filed:** **Apr. 25, 2000**

(30) **Foreign Application Priority Data**

Oct. 27, 1999 (NO) 19990762

(51) **LOC (7) Cl.** **29-02**

(52) **U.S. Cl.** **D24/110.5; D24/128**

(58) **Field of Search** D24/110, 110.5,
D24/128, 129; 128/206.29, 207.18, DIG. 26,
207.17, 207.14, 207.15, 200.26

(56) **References Cited**

U.S. PATENT DOCUMENTS

- D316,902 S * 5/1991 Hoelfing D24/110
- 5,462,050 A * 10/1995 Dahlstrand 128/207.18
- 5,626,128 A * 5/1997 Bradley et al. 128/200.26

- 5,638,811 A * 6/1997 David 128/207.14
- D399,950 S * 10/1998 Shepard D24/110.5
- 5,904,140 A * 5/1999 McGoogan 128/200.24
- 6,067,985 A * 5/2000 Islava 128/207.17

* cited by examiner

Primary Examiner—Ian Simmons

(74) *Attorney, Agent, or Firm*—Connolly Bove Lodge & Hutz, LLP

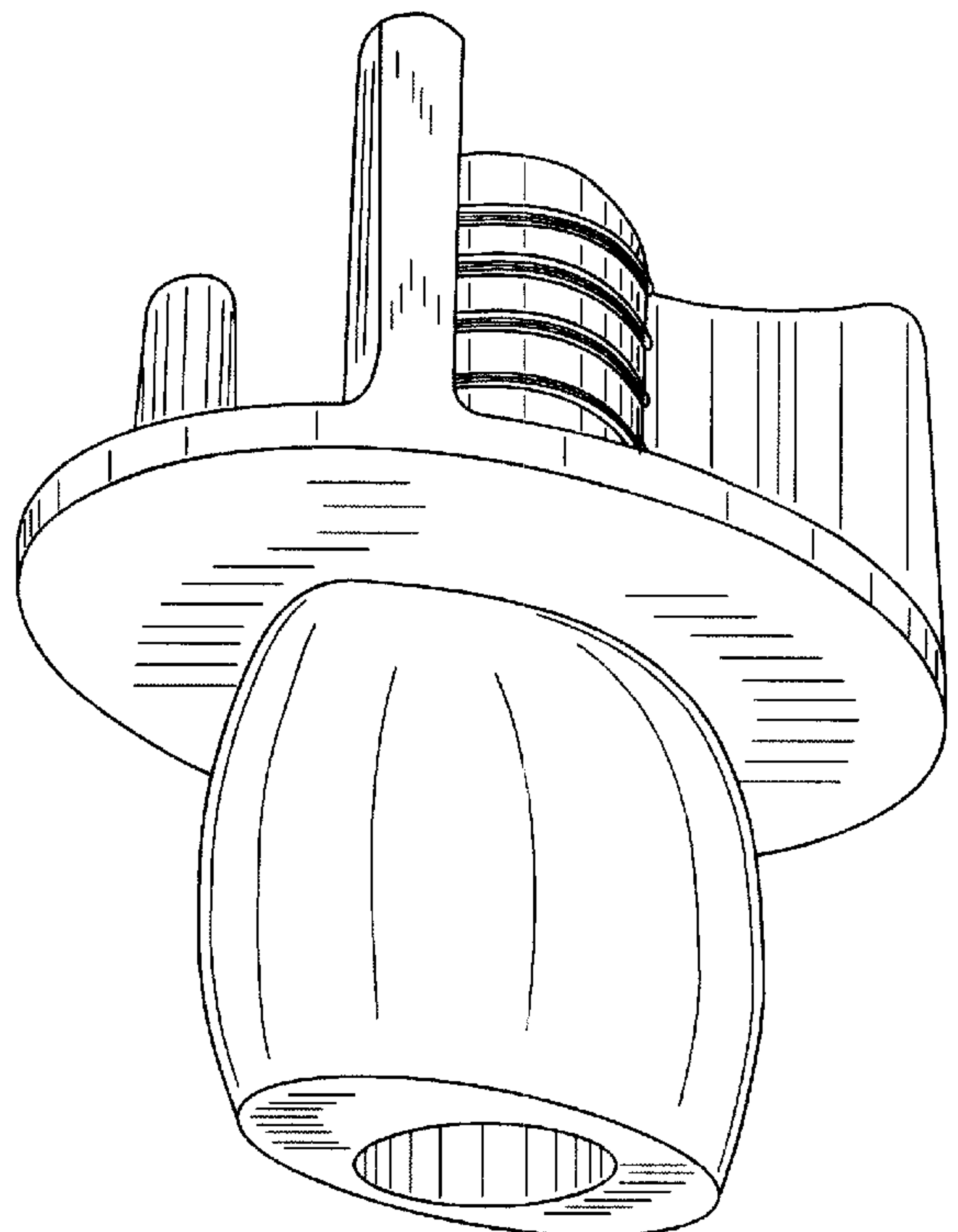
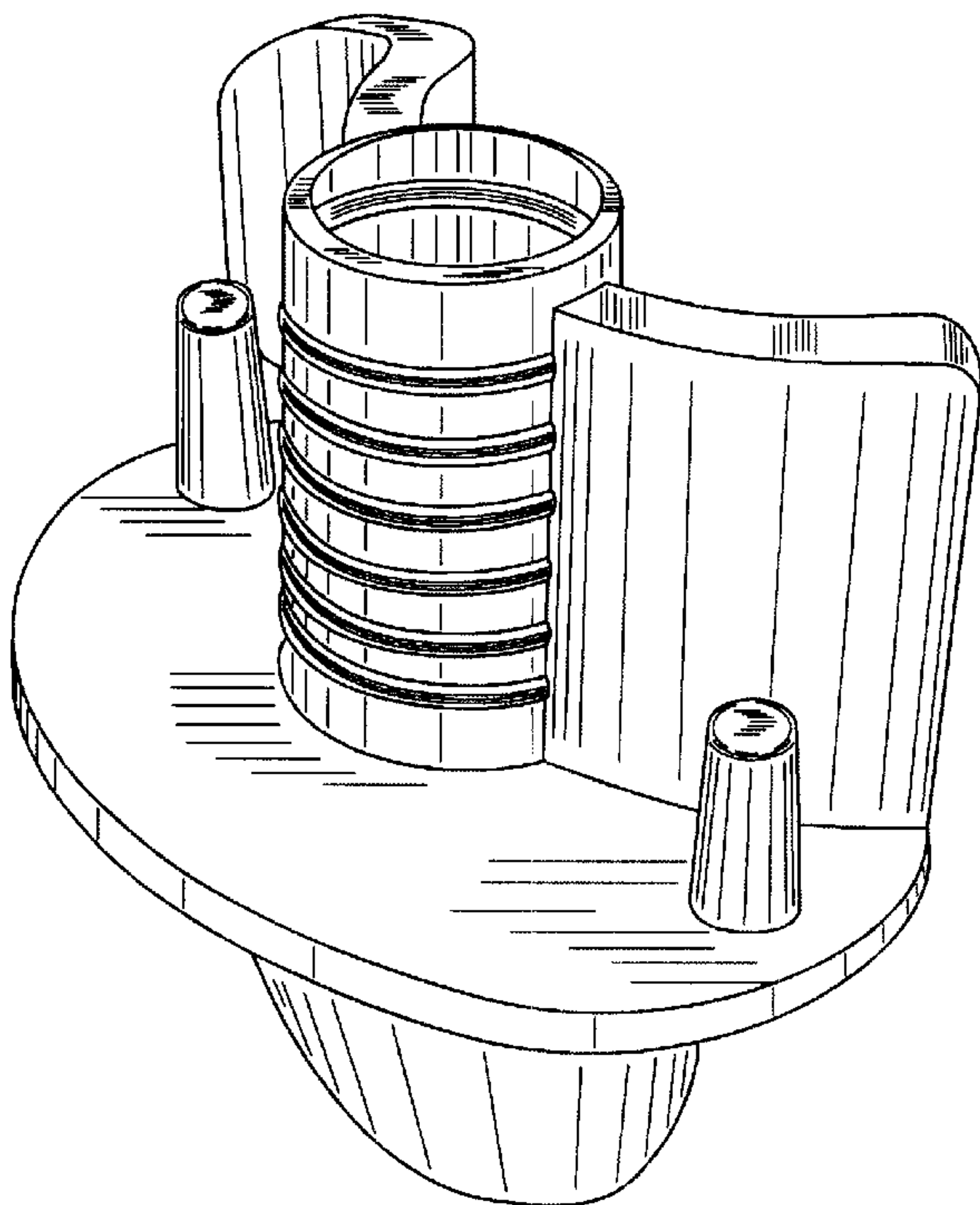
(57) **CLAIM**

I claim the ornamental design for a intubation tube holder, as shown and described.

DESCRIPTION

FIG. 1 is a perspective view from above of the intubation tube holder;
 FIG. 2 is a perspective view from below of the intubation tube holder;
 FIG. 3 is a further perspective view from below of the intubation tube holder; and,
 FIG. 4 is a further perspective view from above of the intubation tube holder.

1 Claim, 4 Drawing Sheets



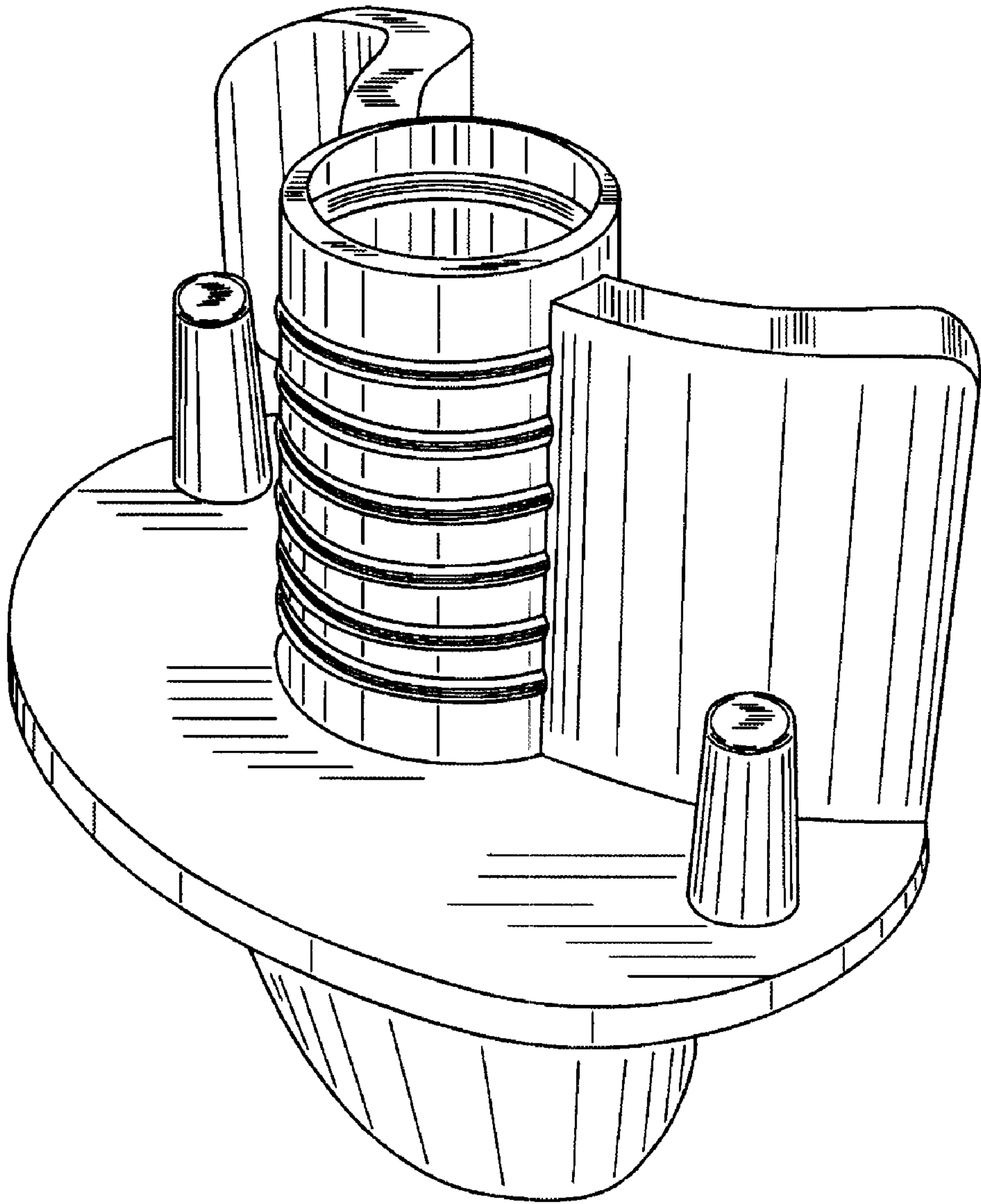


FIG. 1

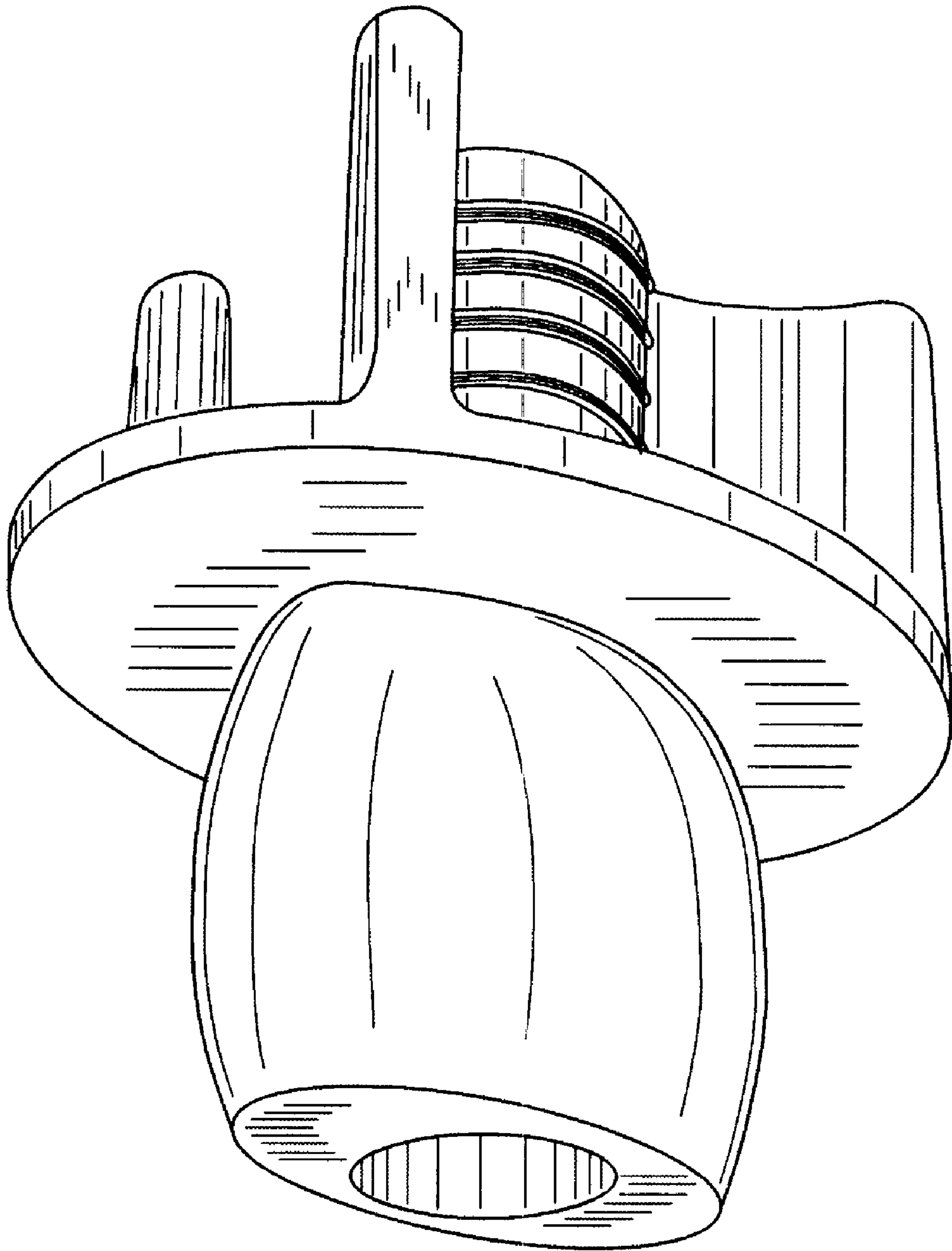


FIG. 2

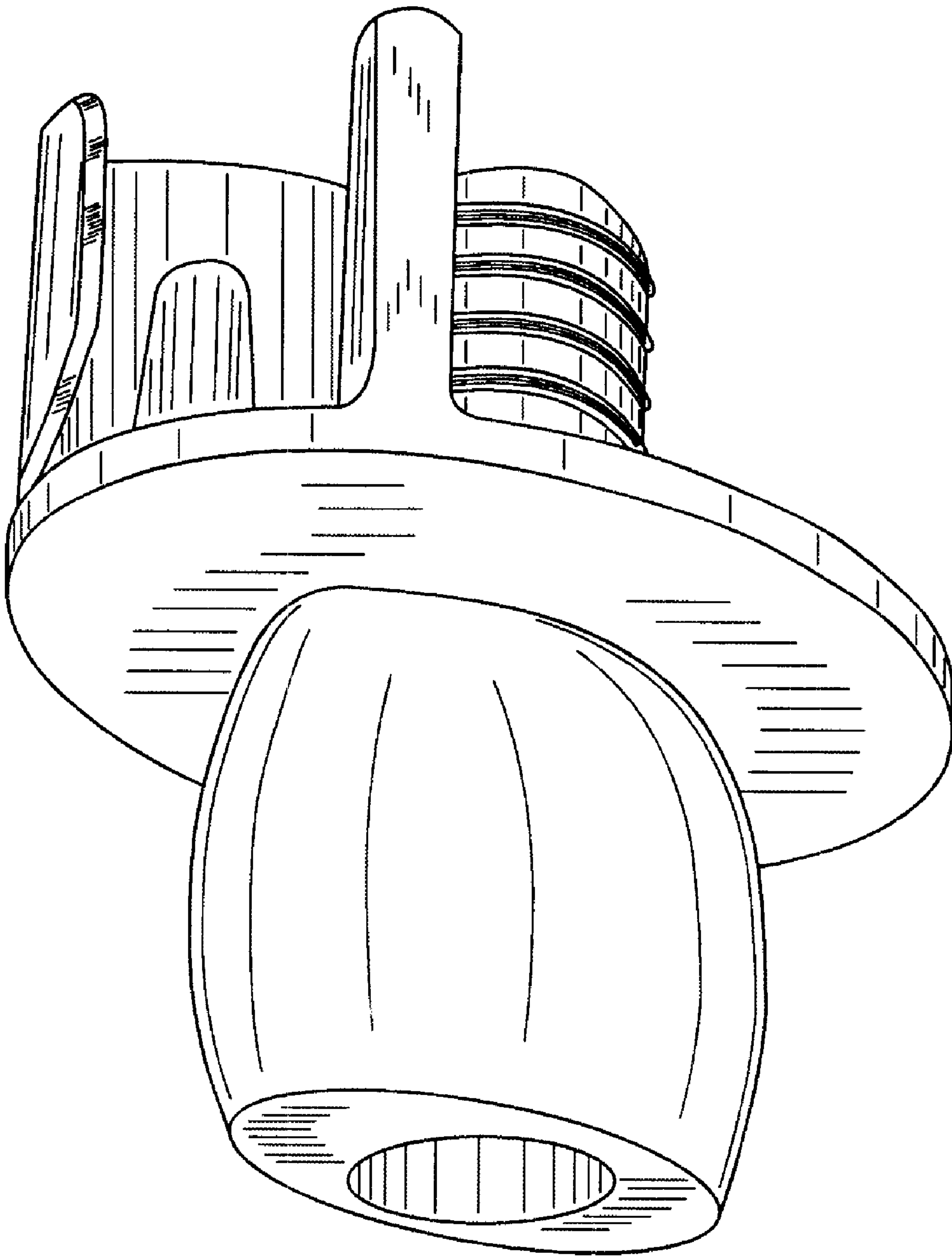


FIG. 3

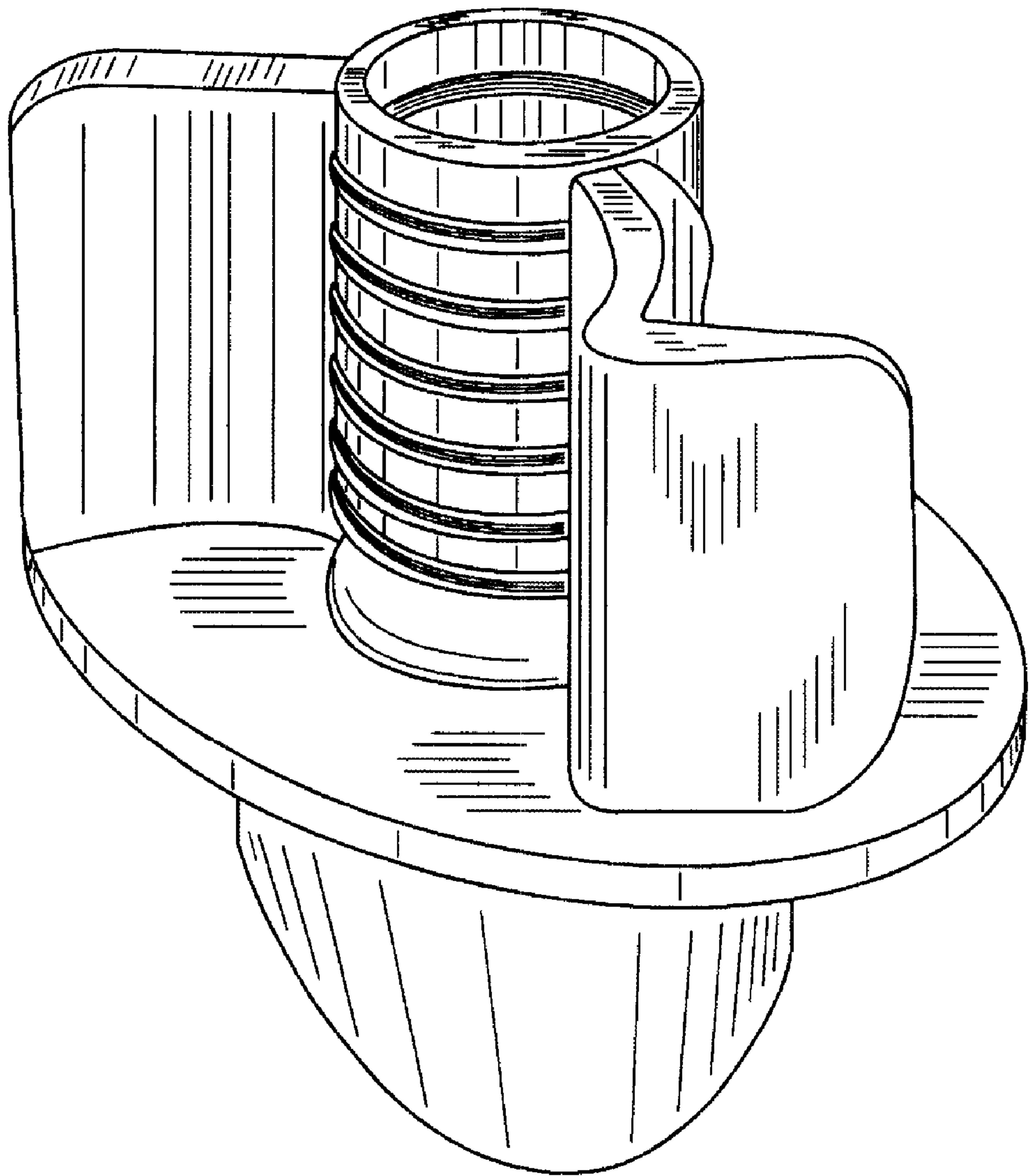


FIG. 4