



US00D453567S

(12) **United States Design Patent**
Voegele et al.

(10) **Patent No.:** **US D453,567 S**

(45) **Date of Patent:** **** Feb. 12, 2002**

(54) **MODULAR BREATHING APPARATUS**

(75) Inventors: **Harald Voegele**, Gauting; **Stefan Madaus**, Krailling; **Armin Bantle**, Fuerstenfeldbruck, all of (DE); **Christina Salmonson**, Stockholm (SE)

(73) Assignee: **MAP Medizintechnik für Arzt und Patient GmbH & Co. KG**, Martinsried (DE)

(**) Term: **14 Years**

(21) Appl. No.: **29/120,790**

(22) Filed: **Mar. 27, 2000**

(30) **Foreign Application Priority Data**

Sep. 27, 1999 (DE) 4 99 09 148

(51) **LOC (7) Cl.** **29-02**

(52) **U.S. Cl.** **D24/110**

(58) **Field of Search** D24/110, 104; D23/356, 358, 360; 128/204.23, 204.18, 204.21, 200.24, 200.22, 200.18, 203.12

(56) **References Cited**

U.S. PATENT DOCUMENTS

5,117,819 A * 6/1992 Servidio et al. 128/204.18
D348,927 S * 7/1994 Attolini D24/110

5,558,084 A * 9/1996 Daniell et al. 128/203.17
5,564,415 A * 10/1996 Dobson et al. 128/204.14
D419,658 S * 1/2000 Matchett et al. D23/356
D421,298 S * 2/2000 Kenyon et al. D24/110
D427,675 S * 7/2000 Hansel D24/110

* cited by examiner

Primary Examiner—Ian Simmons

(74) *Attorney, Agent, or Firm*—Lawrence E. Laubscher, Sr.

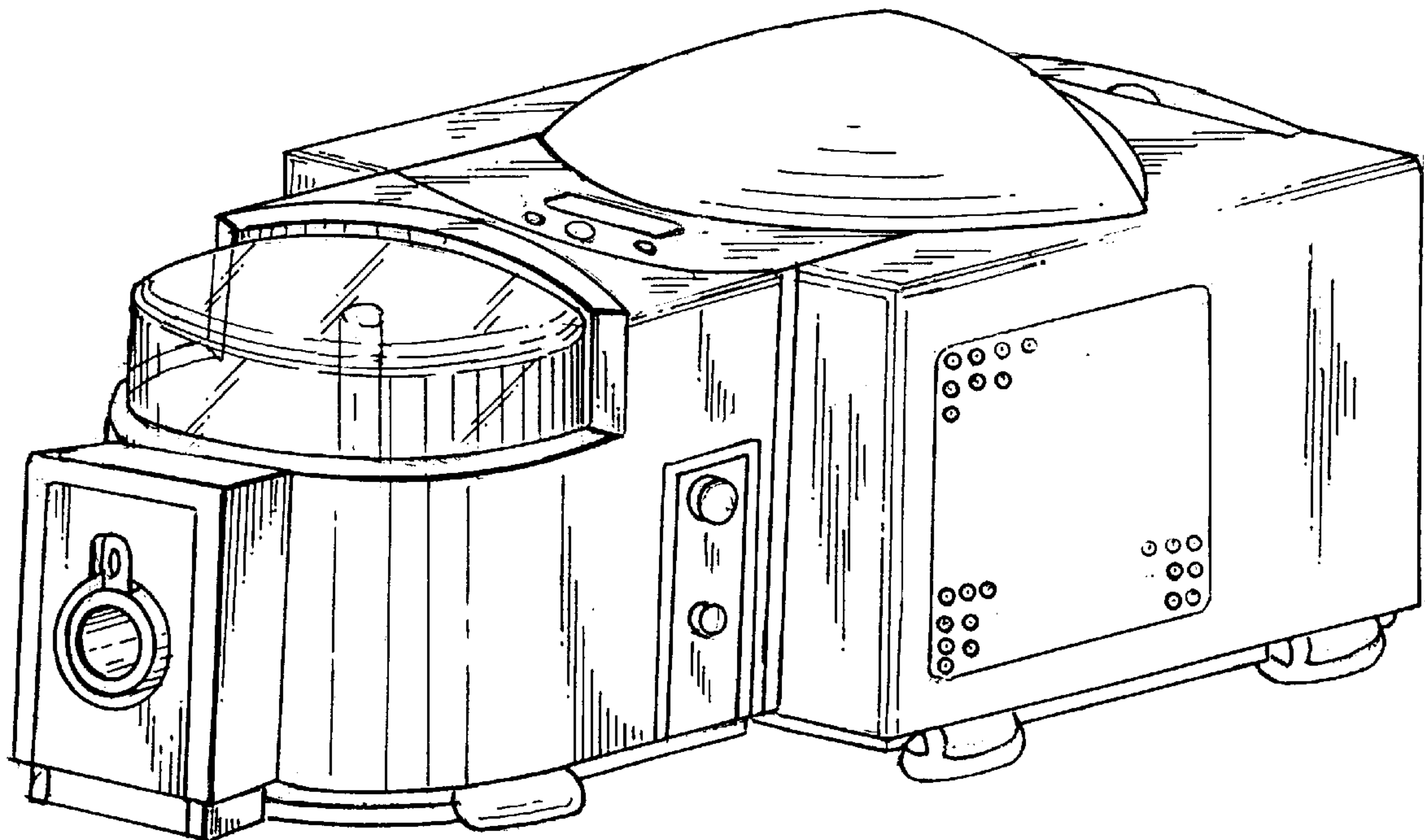
(57) **CLAIM**

The ornamental design for a modular breathing apparatus, as shown.

DESCRIPTION

FIG. 1 is a front right perspective view of the modular breathing apparatus;
FIG. 2 is a left rear perspective view of the apparatus of FIG. 1;
FIG. 3 is a right side elevated view of the apparatus of FIG. 1;
FIG. 4 is a left side elevation view of the apparatus of FIG. 1;
FIG. 5 is a top plan view of the apparatus of FIG. 1;
FIG. 6 is an exploded perspective view of the apparatus of FIG. 1 with the humidifier partially removed; and,
FIG. 7 is a front perspective view of the breathing apparatus without the humidifier.

1 Claim, 6 Drawing Sheets



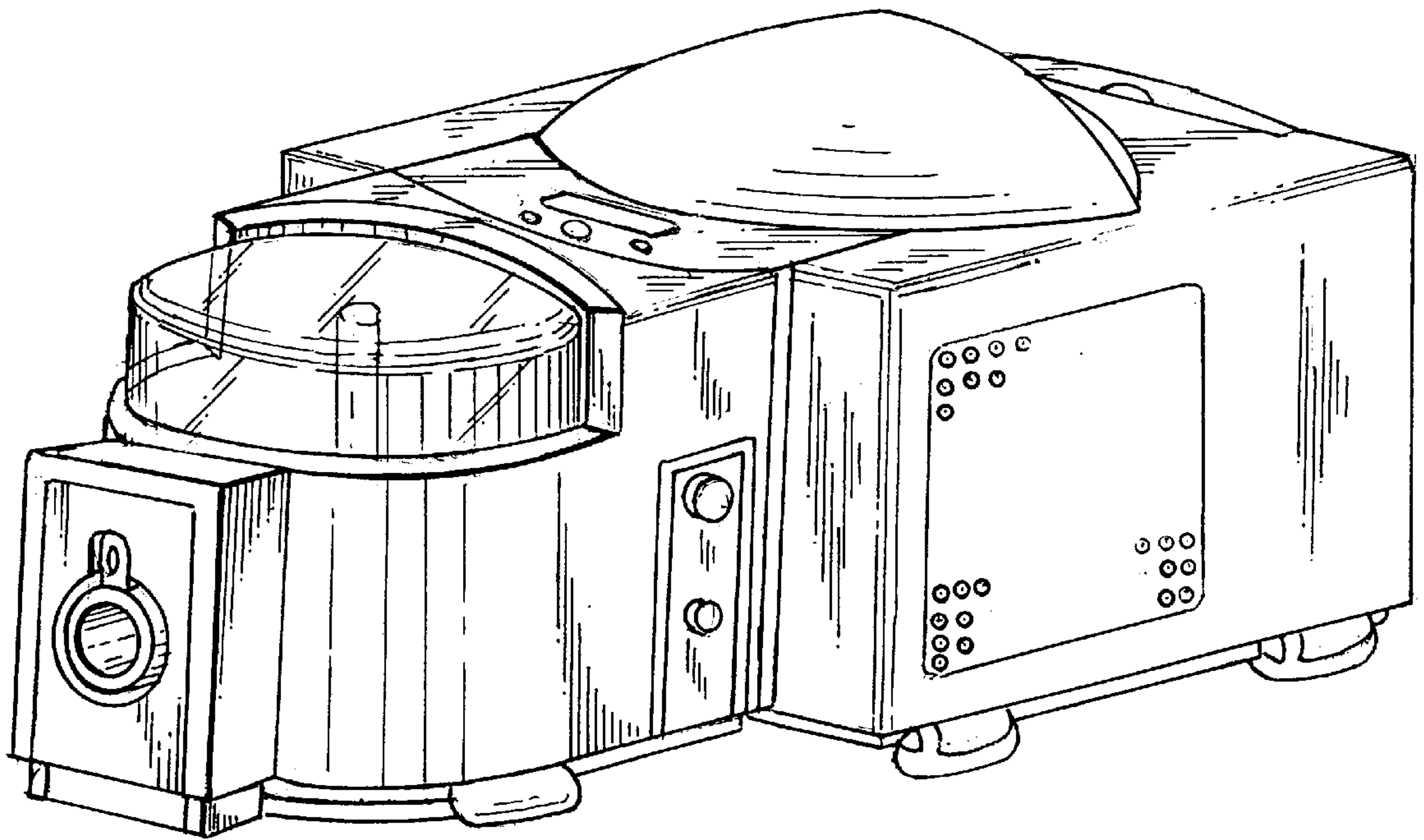


FIG. 1

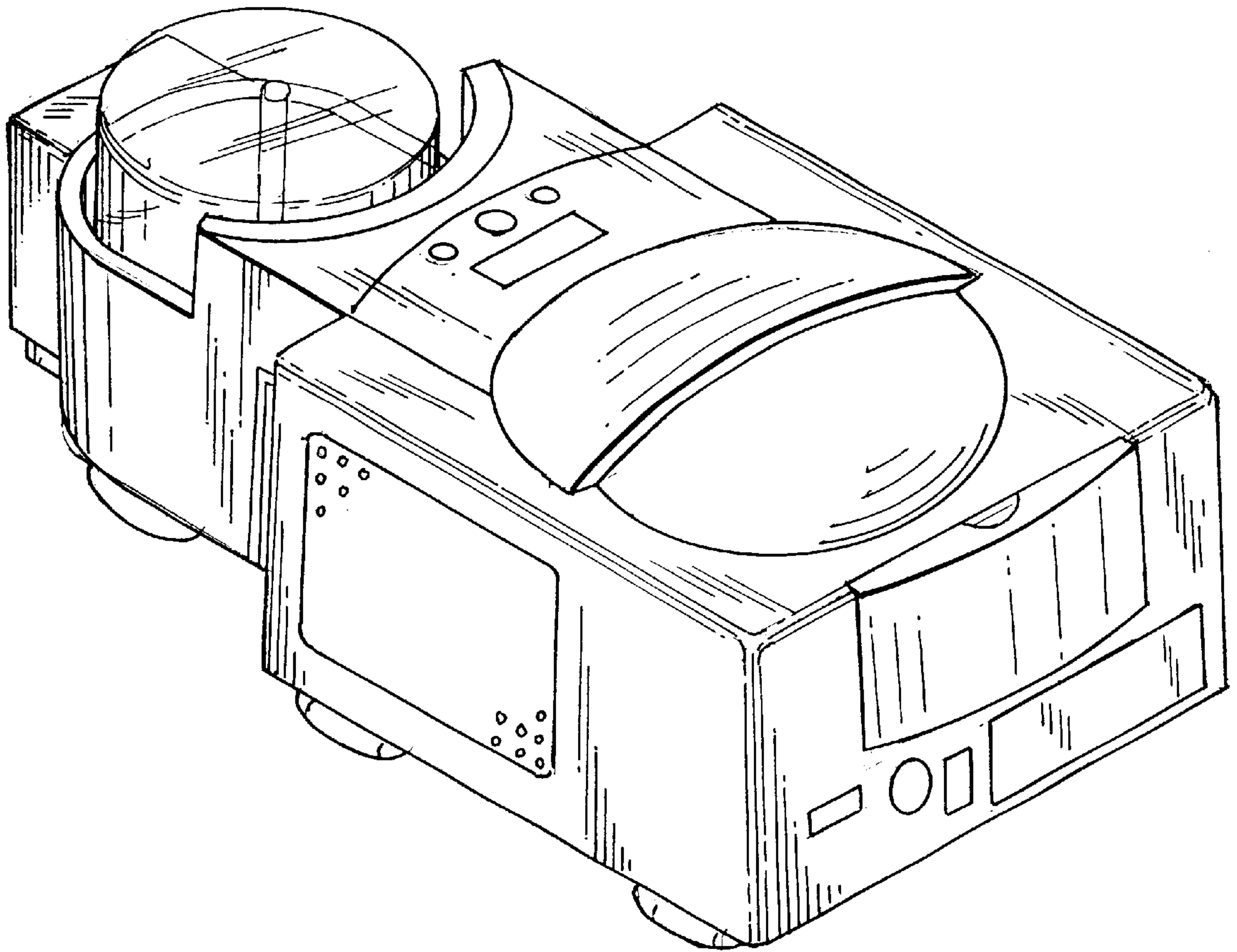


FIG. 2

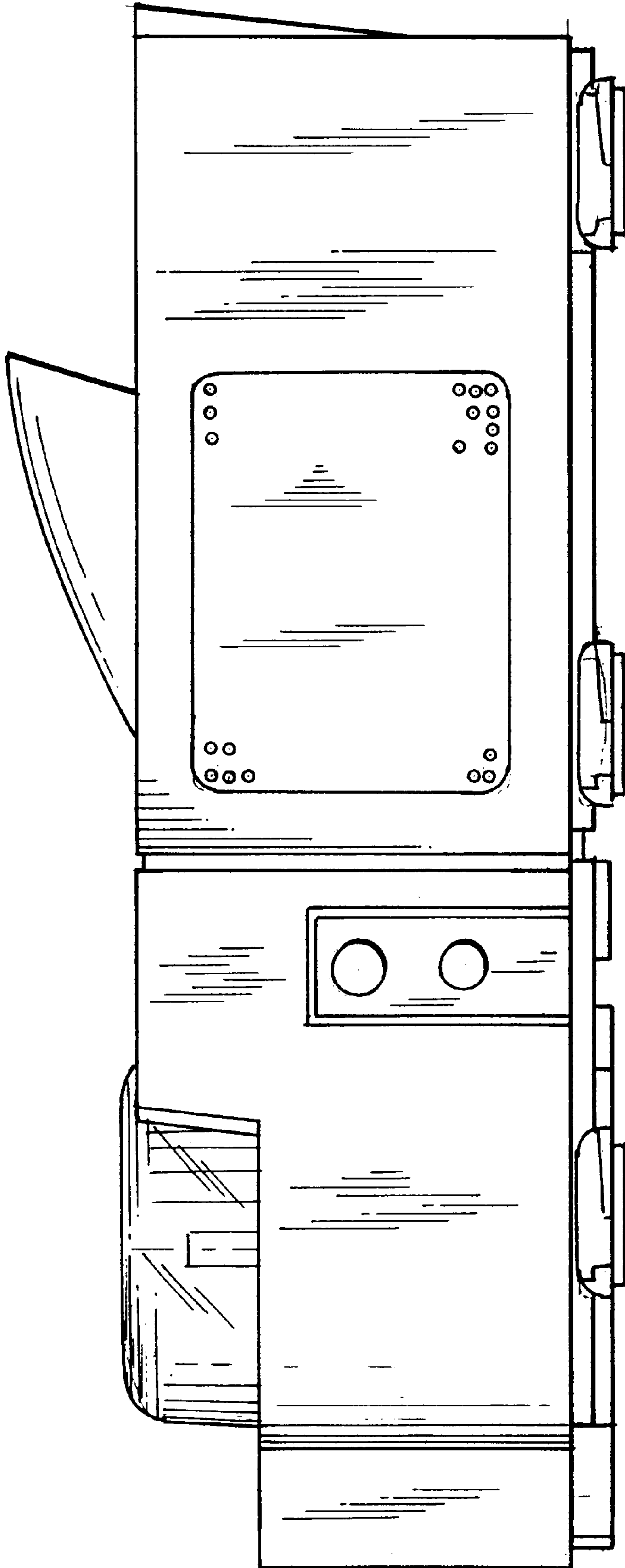


FIG. 3

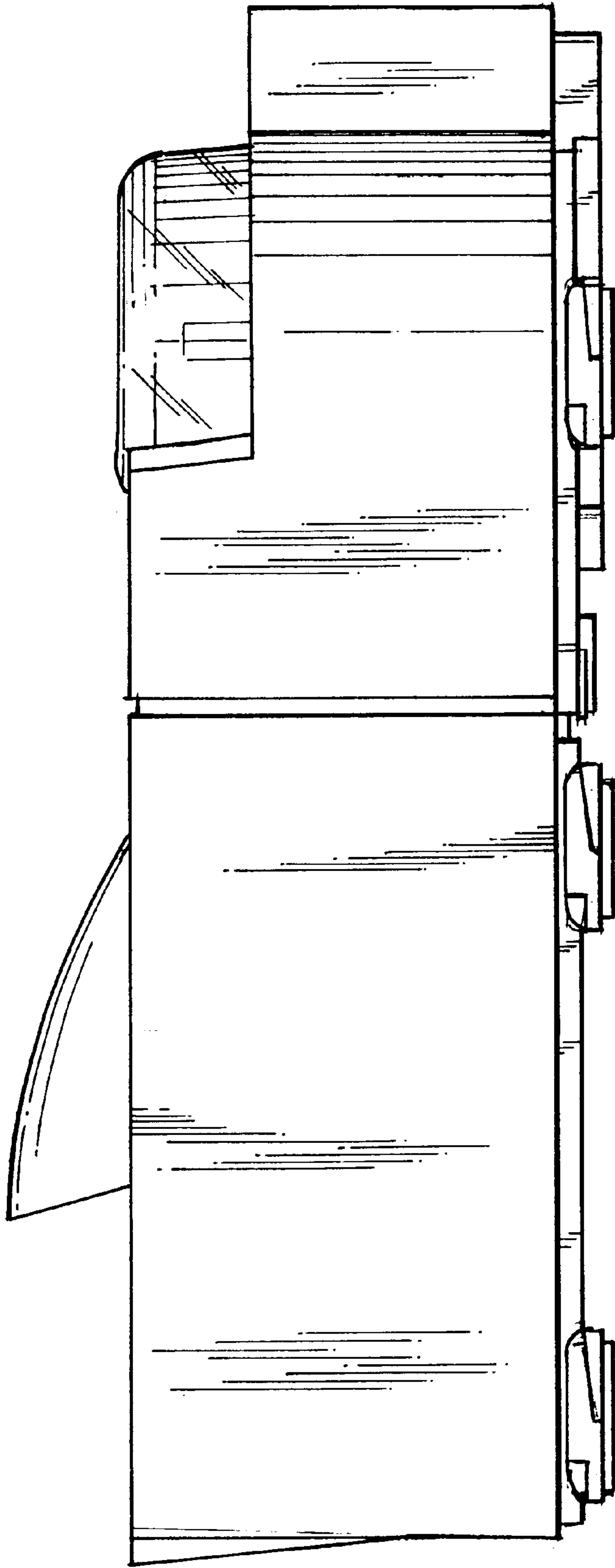


FIG. 4

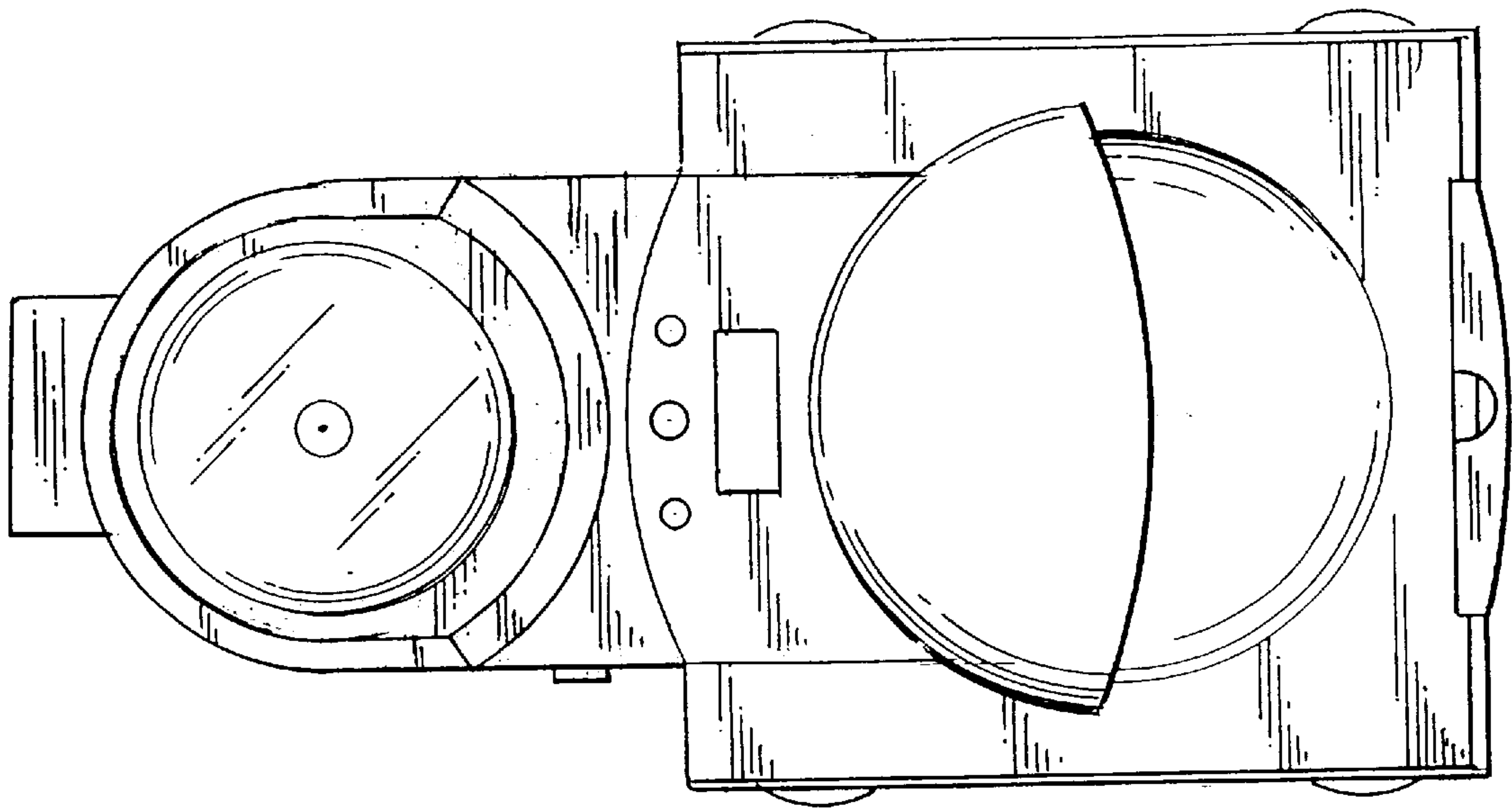


FIG. 5

FIG. 6

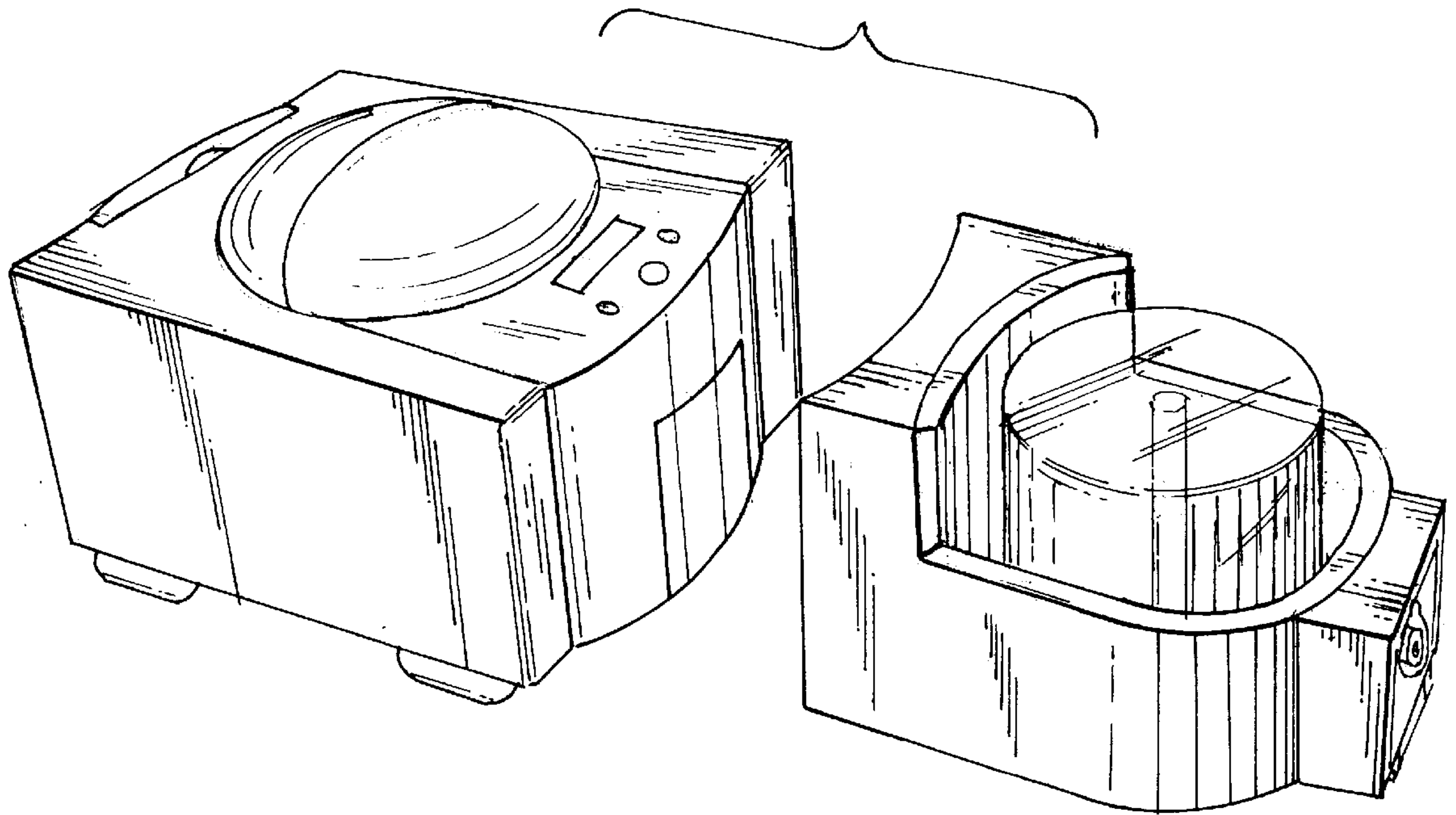


FIG. 7

