



US00D453565S

(12) **United States Design Patent**  
**Young**

(10) **Patent No.:** **US D453,565 S**

(45) **Date of Patent:** **\*\* Feb. 12, 2002**

(54) **CEILING FAN BLADE IRONS UNIT**

D428,986 S 8/2000 Dye ..... D23/411

D430,931 S 9/2000 Dye ..... D23/411

(75) Inventor: **Stanfield Young**, Cypress, CA (US)

D435,900 S 1/2001 Dye ..... D23/411

D437,927 S 2/2001 Dye ..... D23/411

(73) Assignee: **Minka Lightings, Inc.**, Corona, CA (US)

**OTHER PUBLICATIONS**

(\*\*) Term: **14 Years**

U.S. application No. 29/140,955, Young, filed Apr. 25, 2001.

U.S. application No. 29/140,954, Young, filed Apr. 25, 2001.

U.S. application No. 29/140,953, Young, filed Apr. 25, 2001.

U.S. application No. 29/140,961, Young, filed Apr. 25, 2001.

(21) Appl. No.: **29/140,956**

Minka Lighting, Inc.; MinkaAire: The Art of Air Management; Apr. 25, 1995; p. 15; Published U.S.A.

(22) Filed: **Apr. 25, 2001**

Minka Lighting, Inc.; MinkaAire Two Thousand; Dec. 1, 1999; pp. 6-7, 59; Published in U.S.A.

Minka Lighting, Inc.; MinkaAire Two Thousand One; Oct. 5, 2000; pp. 6-7, 14-15; Published in U.S.A.

Japanese Patent No. 62-199997 by Kaoru Watanabe.

**Related U.S. Application Data**

(63) Continuation-in-part of application No. 29/136,797, filed on Feb. 6, 2001.

(51) **LOC (7) Cl.** ..... **23-04**

(52) **U.S. Cl.** ..... **D23/413**

(58) **Field of Search** ..... D23/413, 411, D23/377, 379, 365; 416/5, 210 R

\* cited by examiner

*Primary Examiner*—Lisa Lichtenstein

(74) *Attorney, Agent, or Firm*—Jenkins & Gilchrist, P.C.

(56) **References Cited**

(57) **CLAIM**

**U.S. PATENT DOCUMENTS**

The ornamental design for a ceiling fan blade irons unit, as shown and described.

D82,179 S	9/1930	Ringwald	
3,033,049 A	5/1962	Morrow	
4,123,198 A	10/1978	Harbord	416/243
4,358,245 A	11/1982	Gray	416/189
D270,942 S	10/1983	McCain	D23/379
D295,555 S	5/1988	Greenberg	D23/385
D304,229 S	10/1989	Rezek	D23/377
D305,059 S	12/1989	Miranda et al.	D23/377
D312,688 S	12/1990	Mason	D23/377
D314,046 S	1/1991	Yen	D23/377
D322,310 S	12/1991	Chen	D23/377
D323,028 S	1/1992	Holbrook	D23/377
5,297,931 A	3/1994	Yapp et al.	415/208.1
D380,539 S	7/1997	Liu	D23/377
D382,955 S	* 8/1997	Liu	D23/411
D393,902 S	4/1998	Pickett	D23/377
D399,949 S	* 10/1998	Chou	D23/413

**DESCRIPTION**

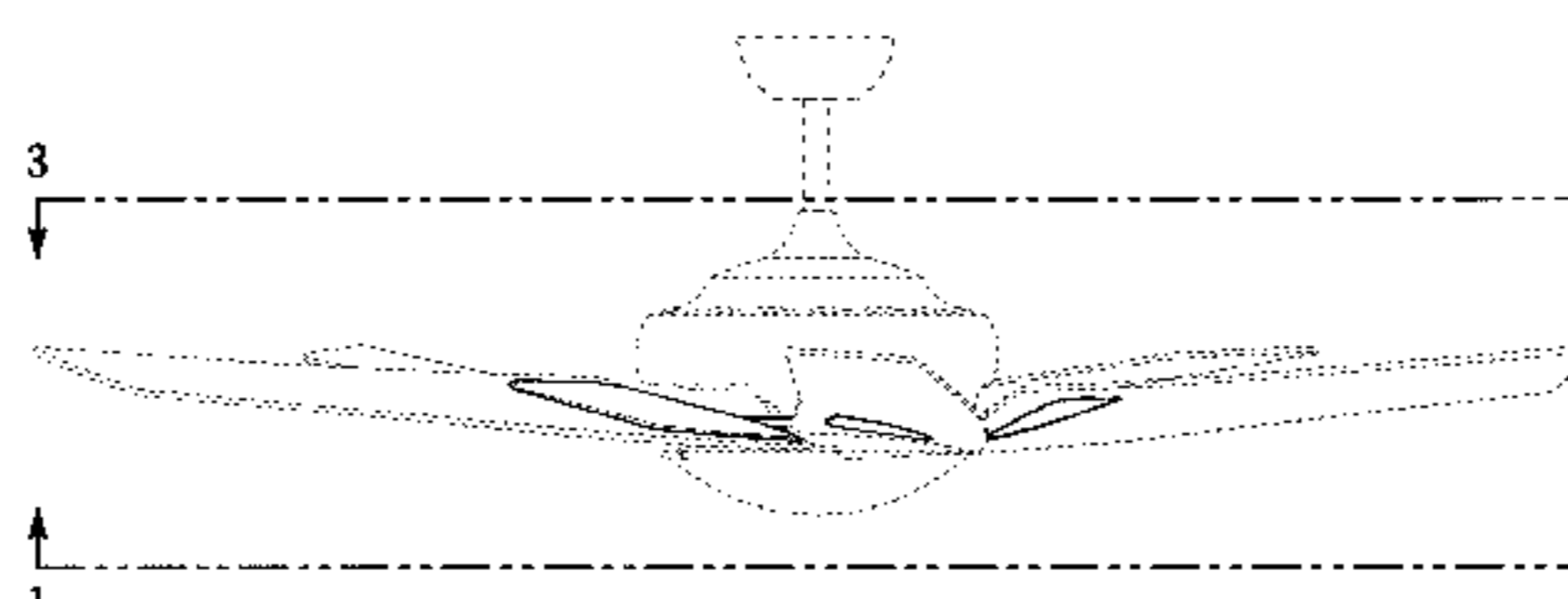
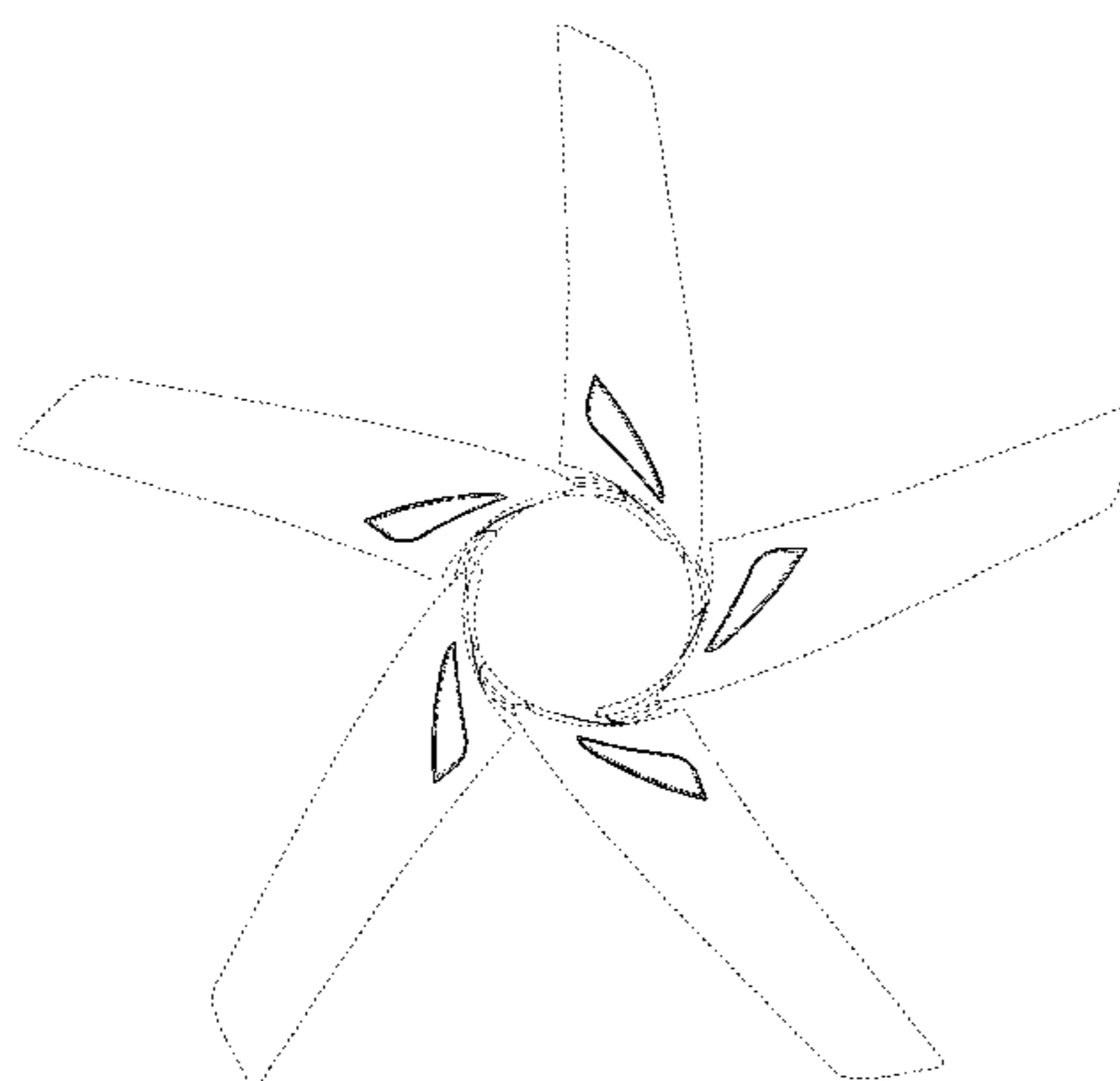
FIG. 1 is a bottom plan view of the ceiling fan blade iron unit in accordance with my design;

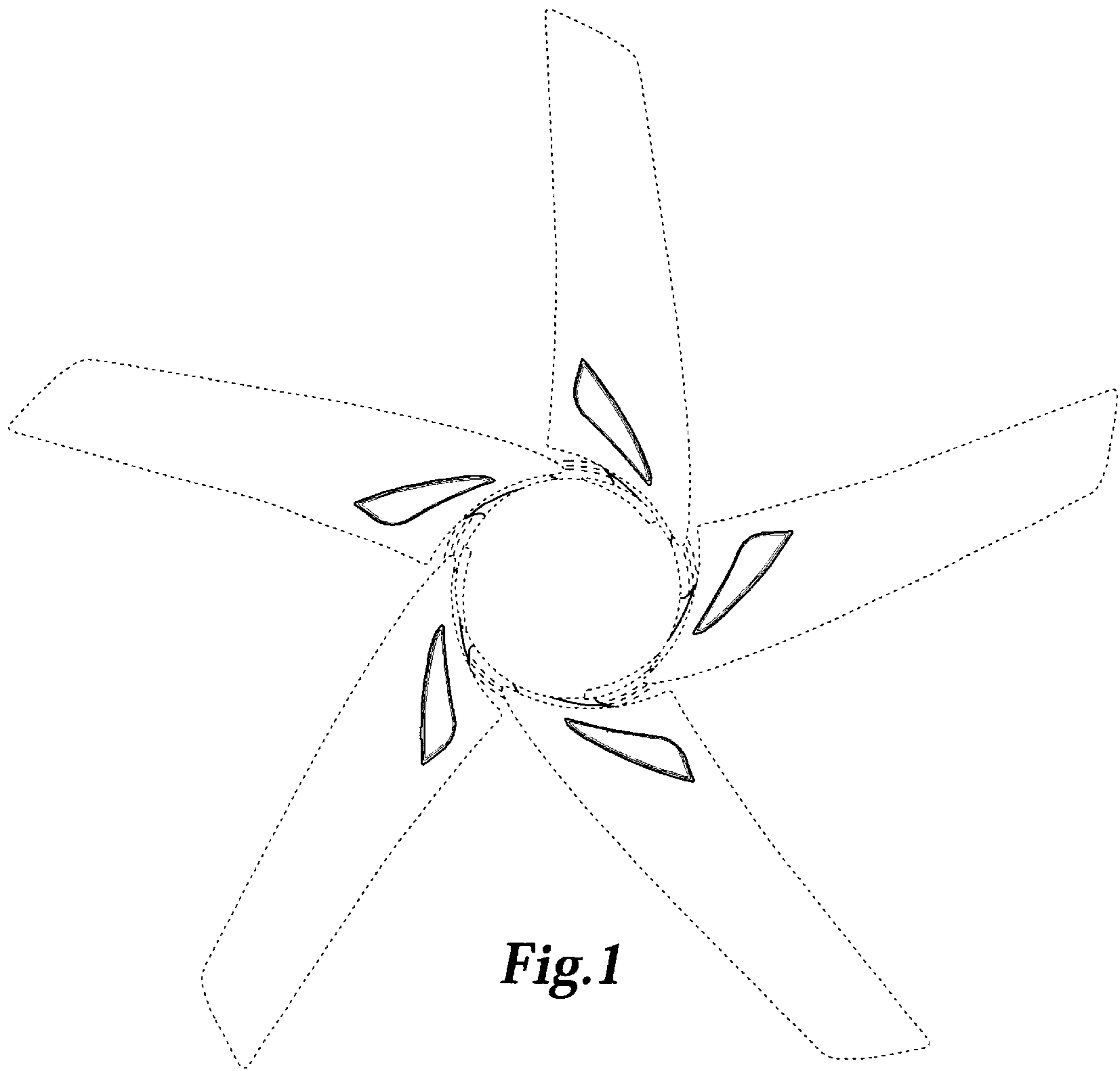
FIG. 2 is a front elevation view of the ceiling fan blade irons unit in accordance with my design, the rear and side views being substantially identical to that shown; and,

FIG. 3 is a top plan view of the ceiling fan blade iron unit in accordance with my design.

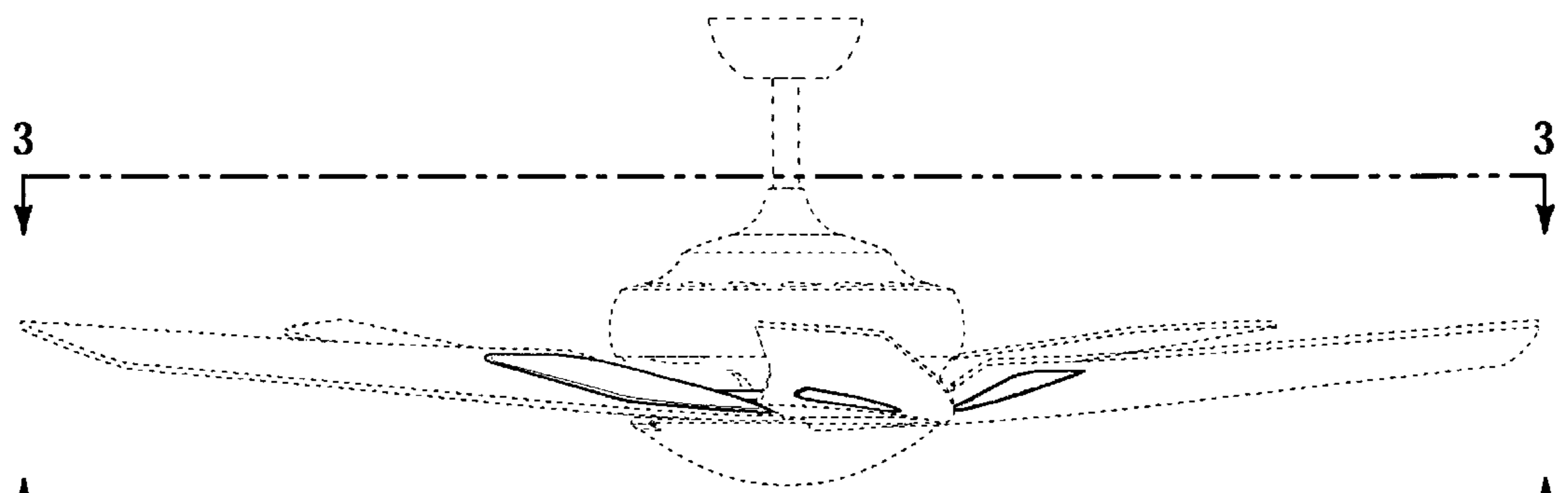
The broken line showing of environmental structure in FIGS. 1-3 is for illustrative purposes only and forms no part of the claimed design.

**1 Claim, 2 Drawing Sheets**

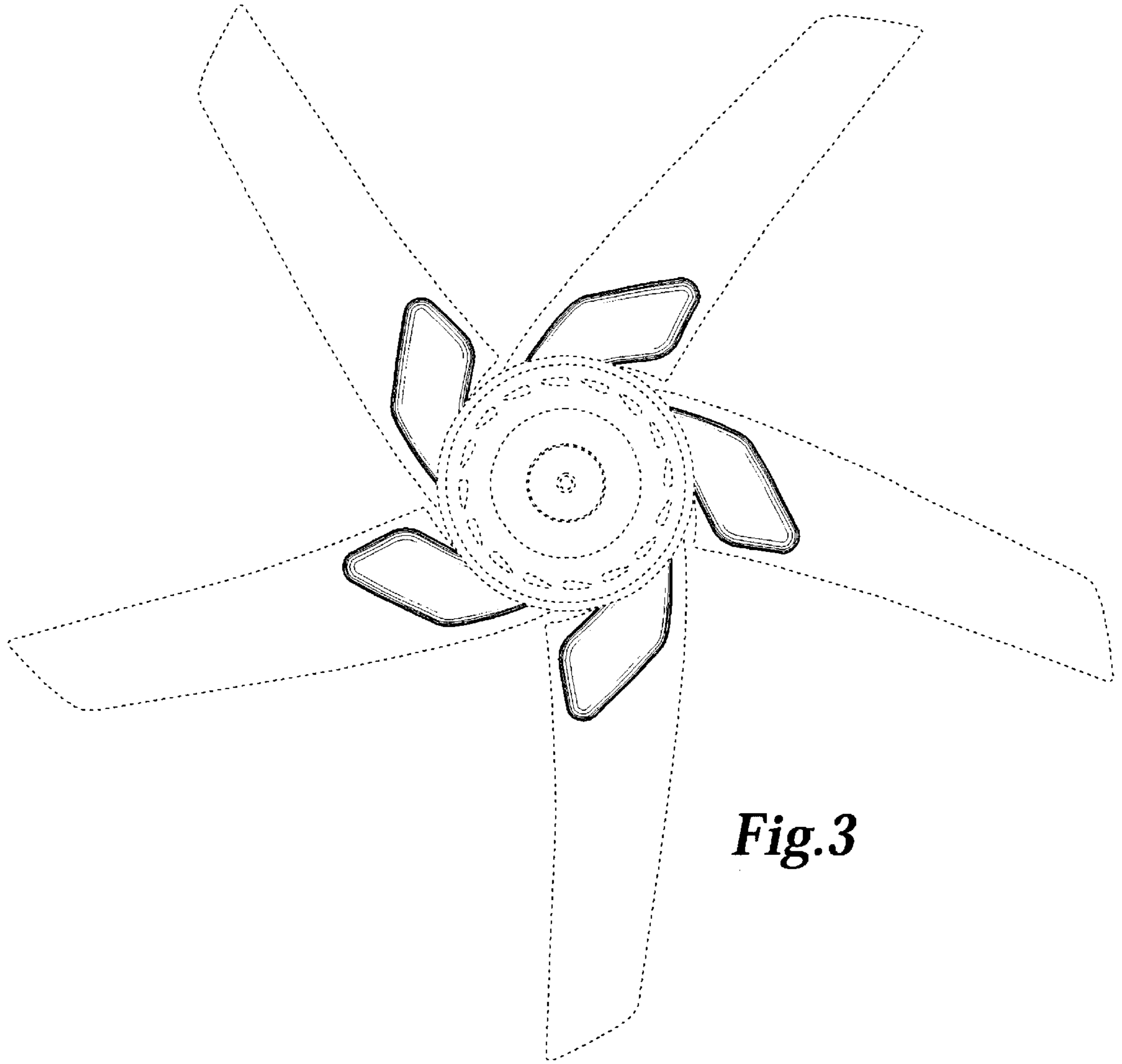




**Fig.1**



**Fig.2**



**Fig.3**

UNITED STATES PATENT AND TRADEMARK OFFICE  
**CERTIFICATE OF CORRECTION**

PATENT NO. : Des 453,565 S  
DATED : February 12, 2002  
INVENTOR(S) : Stanfield Young

Page 1 of 1

It is certified that error appears in the above-identified patent and that said Letters Patent is hereby corrected as shown below:

Title page,

Item [73], please replace the line item as follows:

-- [73] Assignee: **Minka Lighting, Inc.**, Corona, CA (US) --

Signed and Sealed this

Twenty-seventh Day of August, 2002

*Attest:*

A handwritten signature in black ink, appearing to read "James E. Rogan", with a horizontal line drawn underneath it.

*Attesting Officer*

JAMES E. ROGAN  
*Director of the United States Patent and Trademark Office*