



US00D453558S

(12) **United States Design Patent**
Segawa et al.

(10) **Patent No.:** **US D453,558 S**

(45) **Date of Patent:** **** Feb. 12, 2002**

(54) **KEROSENE-FIRED ROOM HEATER**

D294,967 S * 3/1988 Sakai
D301,163 S * 5/1989 Mito

(75) Inventors: **Noritaka Segawa; Hiroyuki Ishimura,**
both of Kashiwa (JP)

* cited by examiner

(73) Assignee: **Hitachi, Ltd.,** Tokyo (JP)

Primary Examiner—B. J. Bullock

(**) Term: **14 Years**

(74) *Attorney, Agent, or Firm*—Antonelli, Terry, Stout & Kraus, LLP

(21) Appl. No.: **29/138,131**

(57) **CLAIM**

(22) Filed: **Mar. 8, 2001**

The ornamental design for a kerosene-fired room heater, as shown.

(30) **Foreign Application Priority Data**

DESCRIPTION

Oct. 12, 2000 (JP) 2000-028762

(51) **LOC (7) Cl.** **23-03**

(52) **U.S. Cl.** **D23/338**

(58) **Field of Search** D23/332-341;
431/298, 302; 126/92-97, 53

FIG. 1 is a front, top and right side perspective view of a kerosene-fired room heater showing our new design; FIG. 2 is a top plan view thereof; FIG. 3 is a front elevational view thereof; FIG. 4 is a right side elevational view thereof; FIG. 5 is a rear side elevational view thereof; FIG. 6 is a left side elevational view thereof; FIG. 7 is a bottom plan view thereof; and, FIG. 8 is a front, top and right side perspective view showing the condition that the cover is opened.

(56) **References Cited**

U.S. PATENT DOCUMENTS

- D268,518 S * 4/1983 Nakamura
- D282,567 S * 2/1986 Nakamura
- D294,857 S * 3/1988 Nakamura

1 Claim, 4 Drawing Sheets

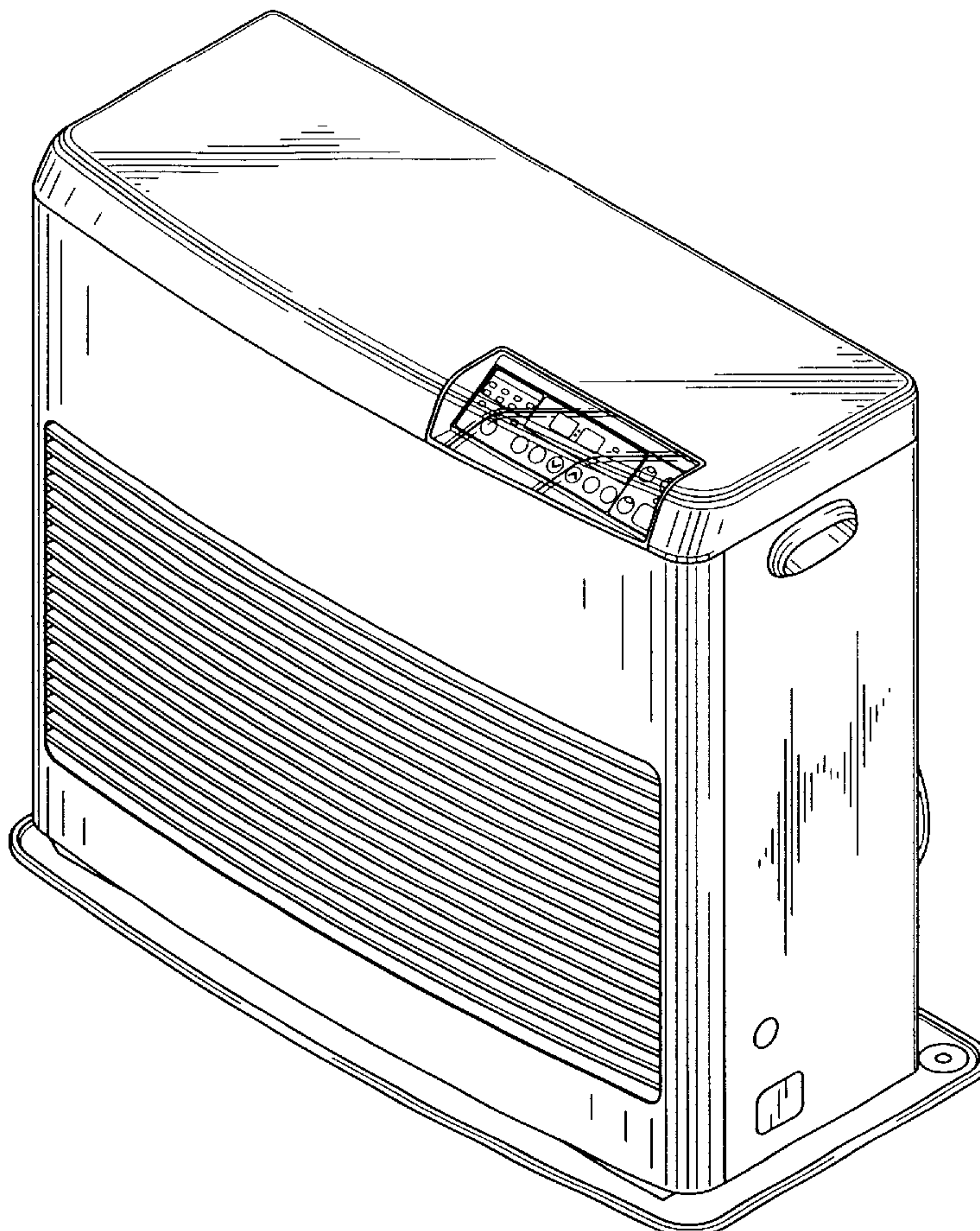


FIG. 1

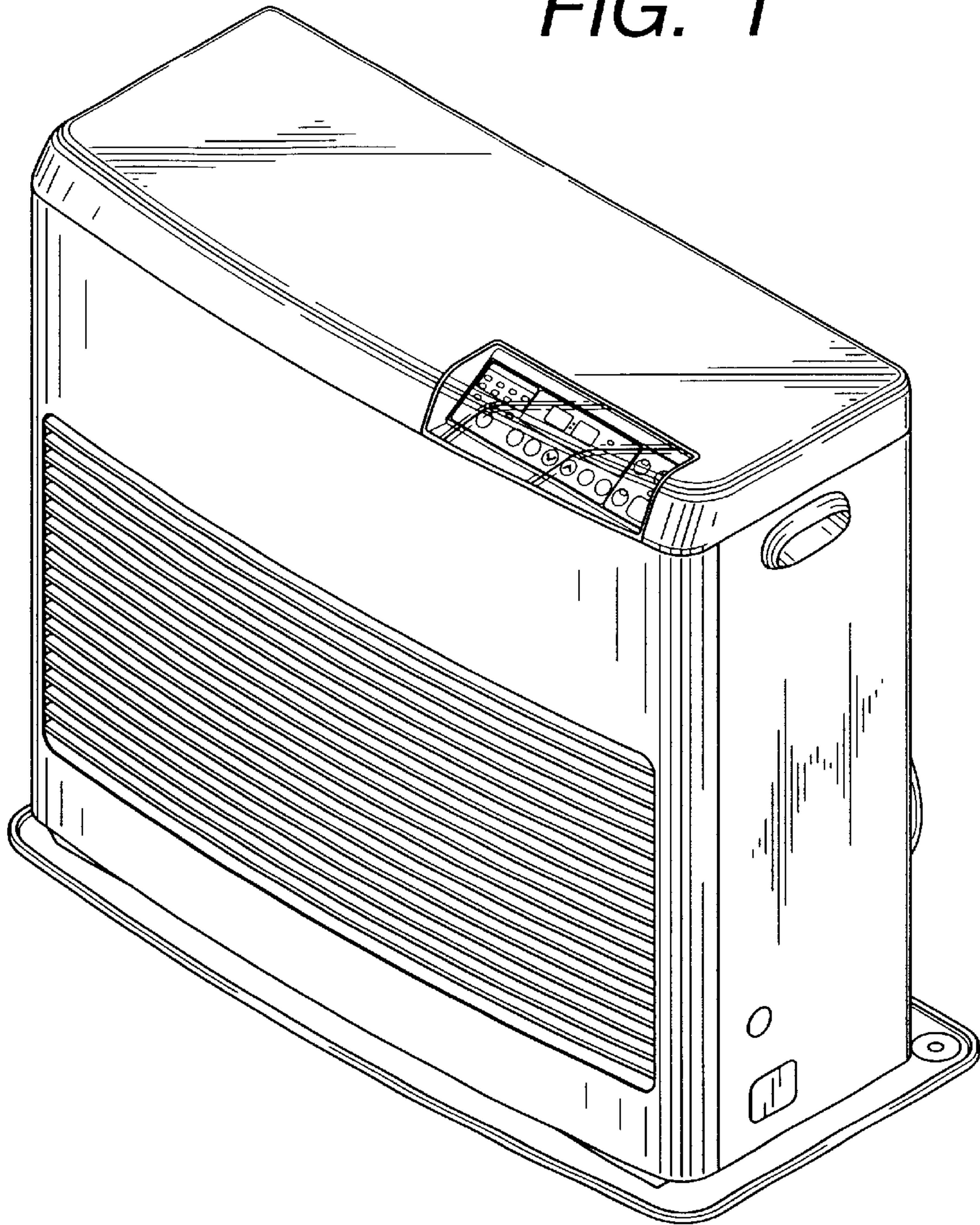


FIG. 2

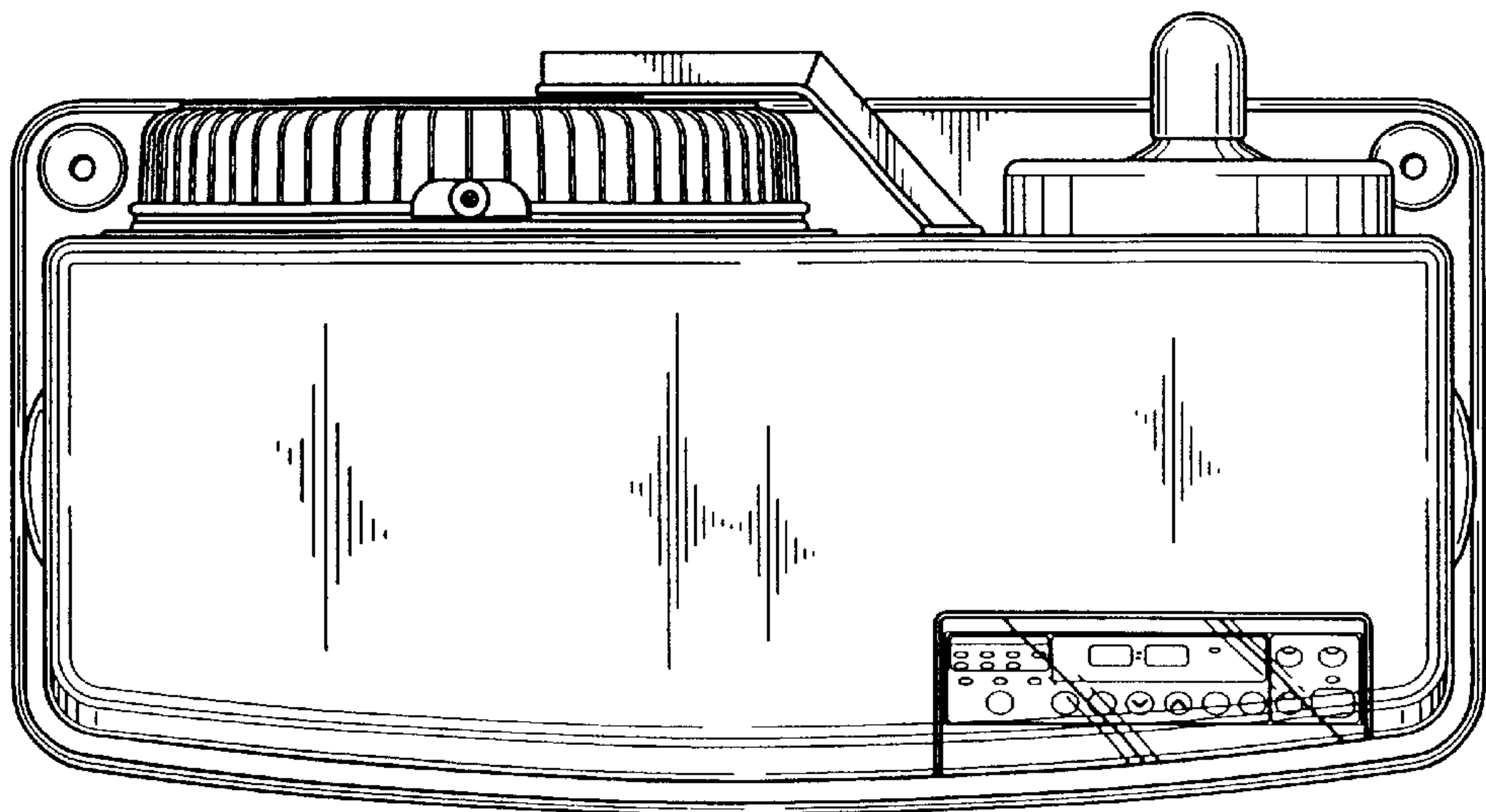


FIG. 4

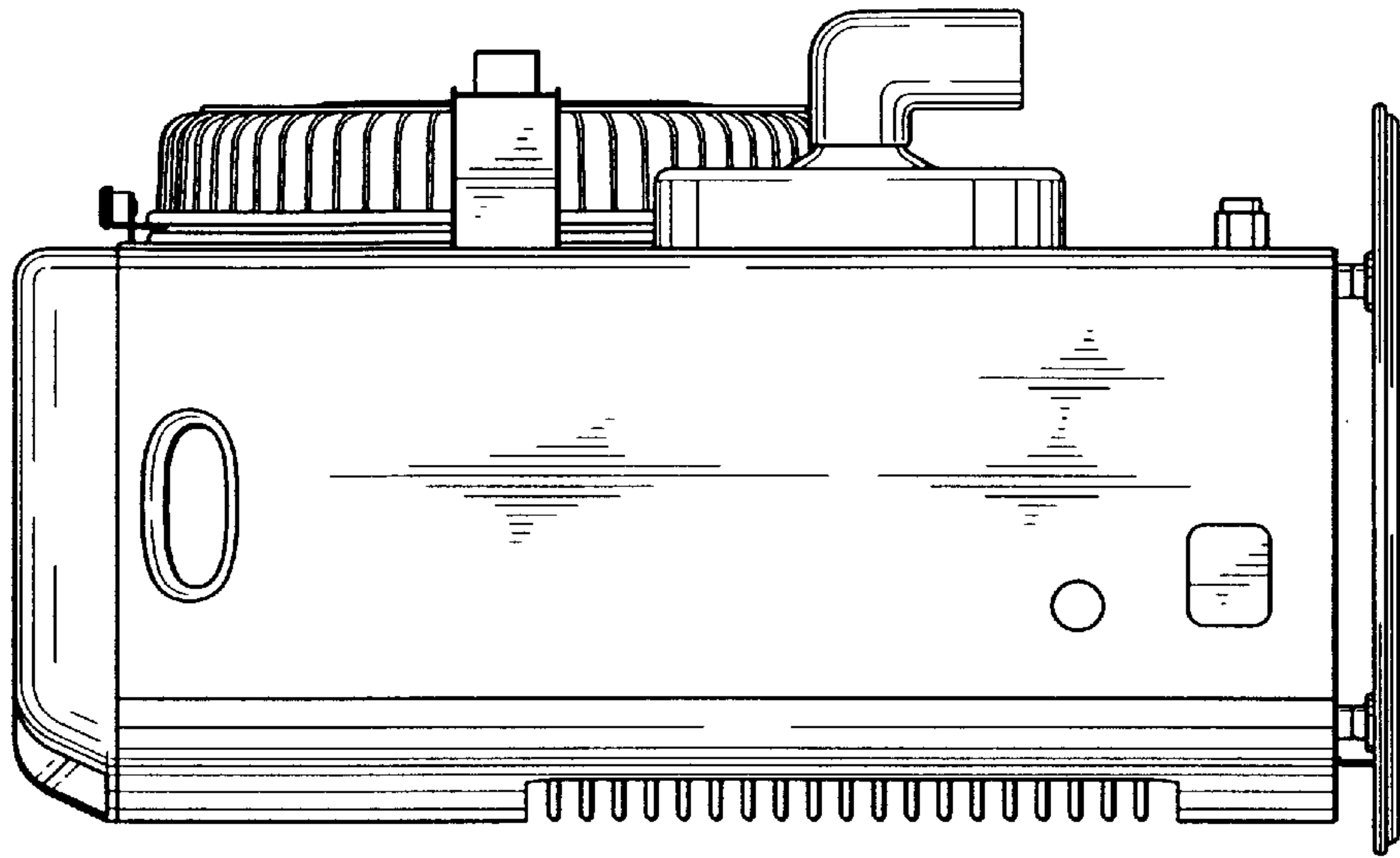


FIG. 3

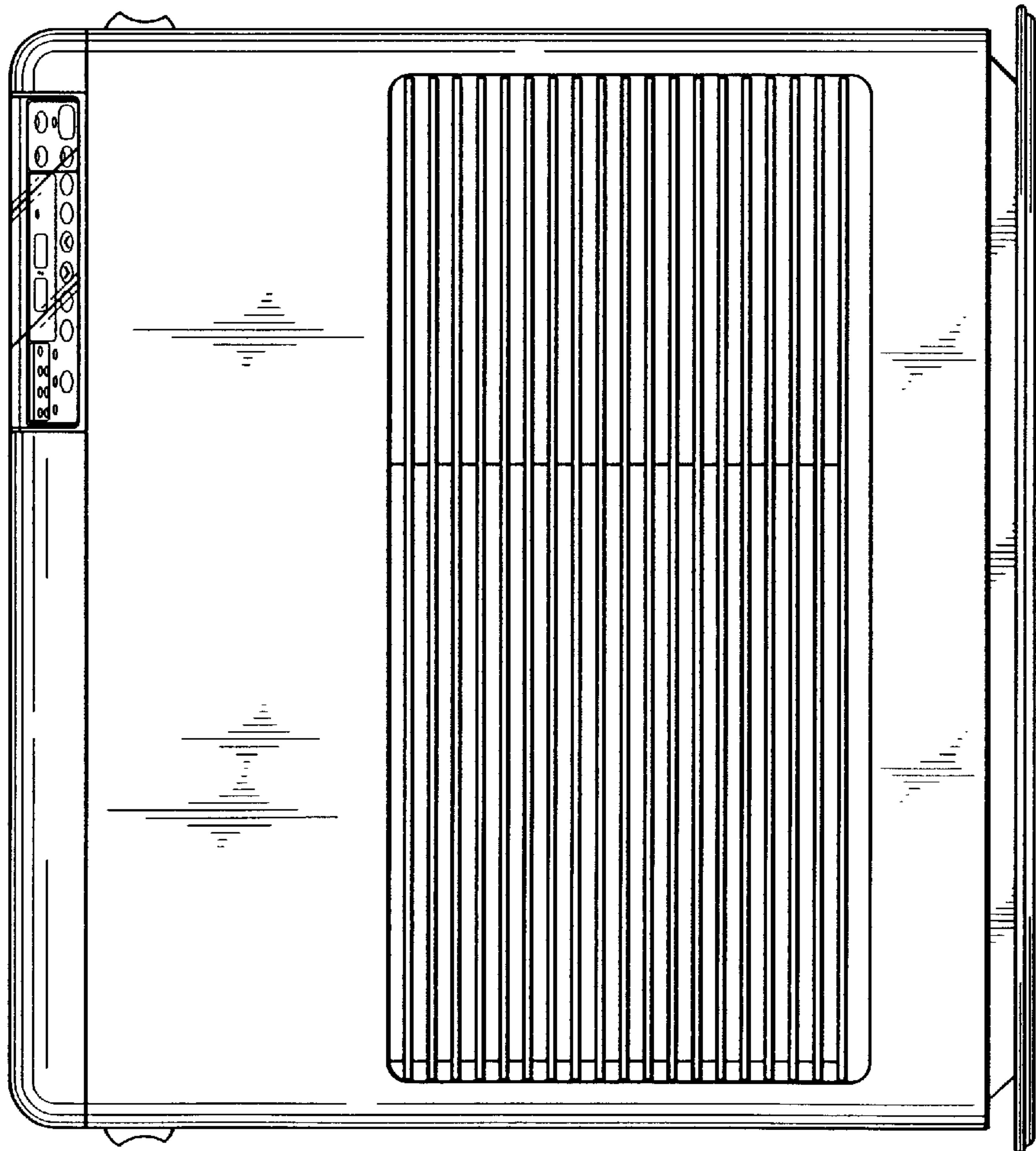


FIG. 6

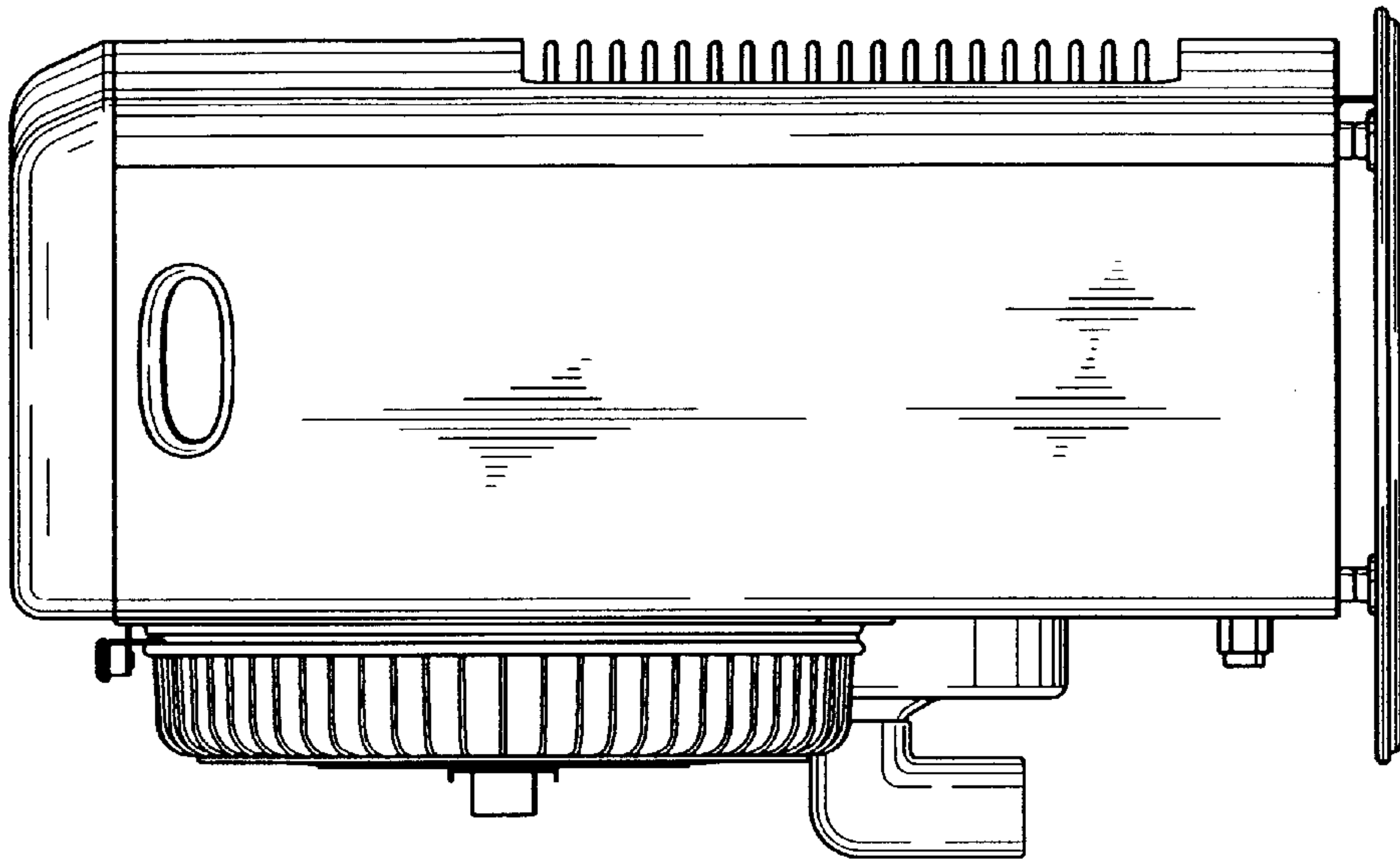


FIG. 5

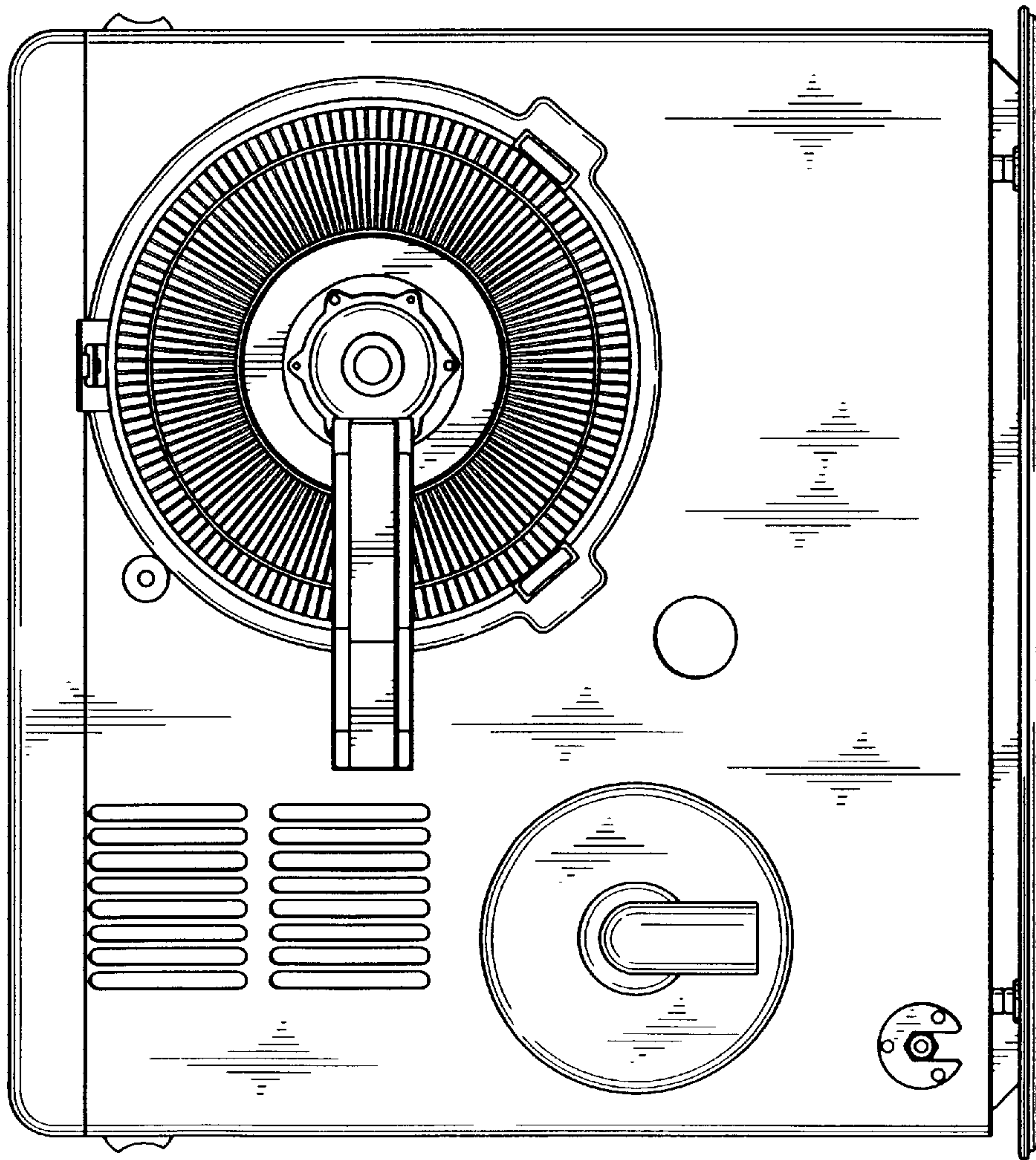


FIG. 7

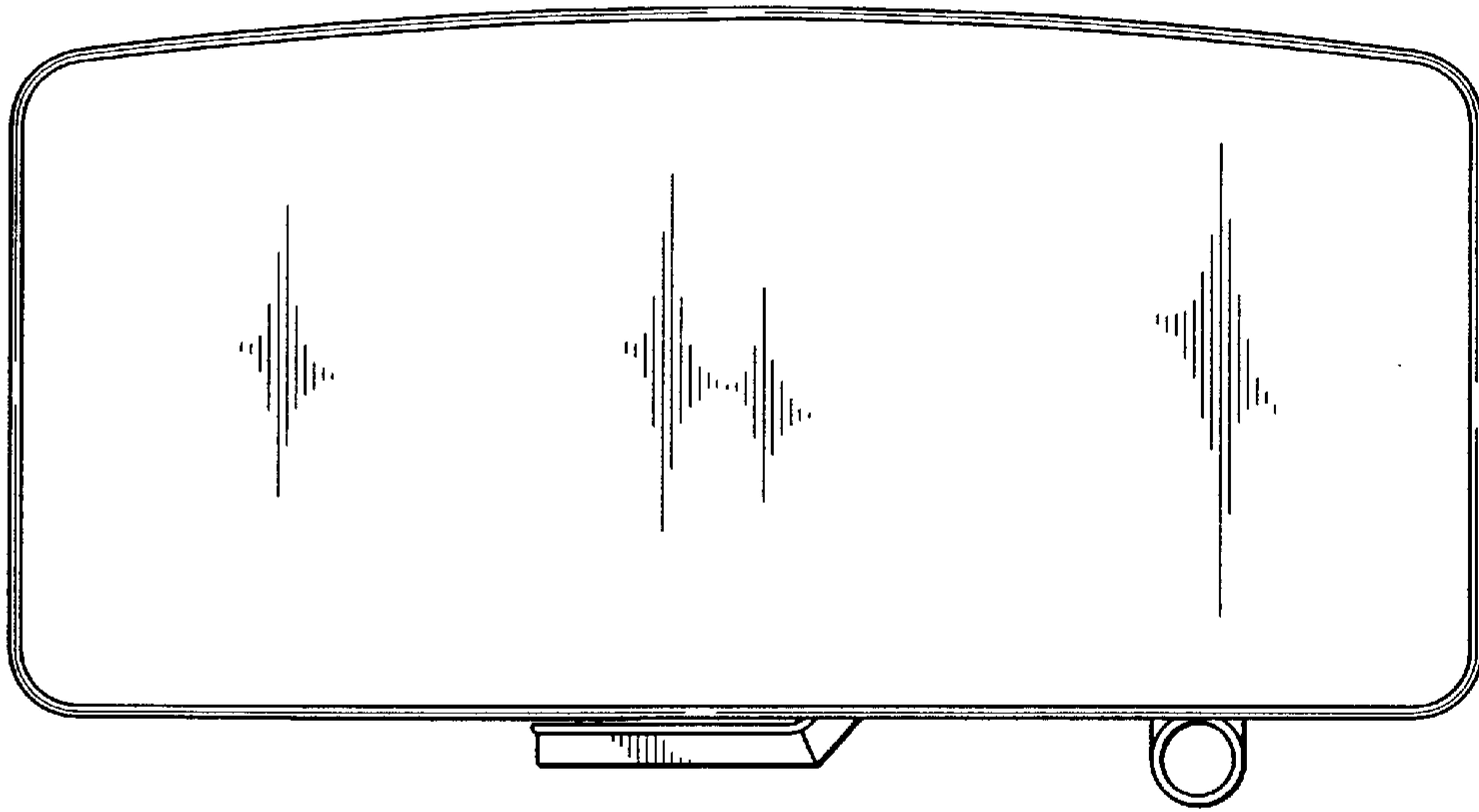


FIG. 8

