



US00D453556S

(12) **United States Design Patent**  
**Kawamura**

(10) **Patent No.:** **US D453,556 S**

(45) **Date of Patent:** **\*\* Feb. 12, 2002**

(54) **SIX-LITER TOILET**

D409,735 S \* 5/1999 Svendsen ..... D23/301  
D429,801 S \* 8/2000 Svendsen ..... D23/295

(75) Inventor: **Sejiro Kawamura**, Fukuoka (JP)

\* cited by examiner

(73) Assignee: **Toto, Ltd.**, Fukuoka (JP)

*Primary Examiner*—Louis S. Zarfes

(\*\*) Term: **14 Years**

*Assistant Examiner*—Robert A. Delehanty

(21) Appl. No.: **29/121,300**

(74) *Attorney, Agent, or Firm*—Birch, Stewart, Kolasch & Birch, LLP

(22) Filed: **Apr. 5, 2000**

(57) **CLAIM**

(51) **LOC (7) Cl.** ..... **23-02**

The ornamental design for a six-liter toilet, as shown and described.

(52) **U.S. Cl.** ..... **D23/301**

**DESCRIPTION**

(58) **Field of Search** ..... D23/270–271,  
D23/295–301, 303–313; 4/667, 300, 300.1,  
328–329, 340–342, 353–354, 416, 419–420,  
420.2, 420.3, 420.4, 420.5, 443, 446, 449,  
DIG. 15

FIG. 1 is a perspective view of a six-liter toilet showing my new design;

FIG. 2 is a front elevational view thereof;

FIG. 3 is a rear elevational view thereof;

FIG. 4 is a top plan view thereof;

FIG. 5 is a bottom plan view thereof;

FIG. 6 is a right side elevational view thereof; and,

FIG. 7 is a left side elevational view thereof.

(56) **References Cited**

**U.S. PATENT DOCUMENTS**

D323,551 S \* 1/1992 Fait ..... D23/301  
D326,904 S \* 6/1992 Waldren ..... D23/301

**1 Claim, 5 Drawing Sheets**

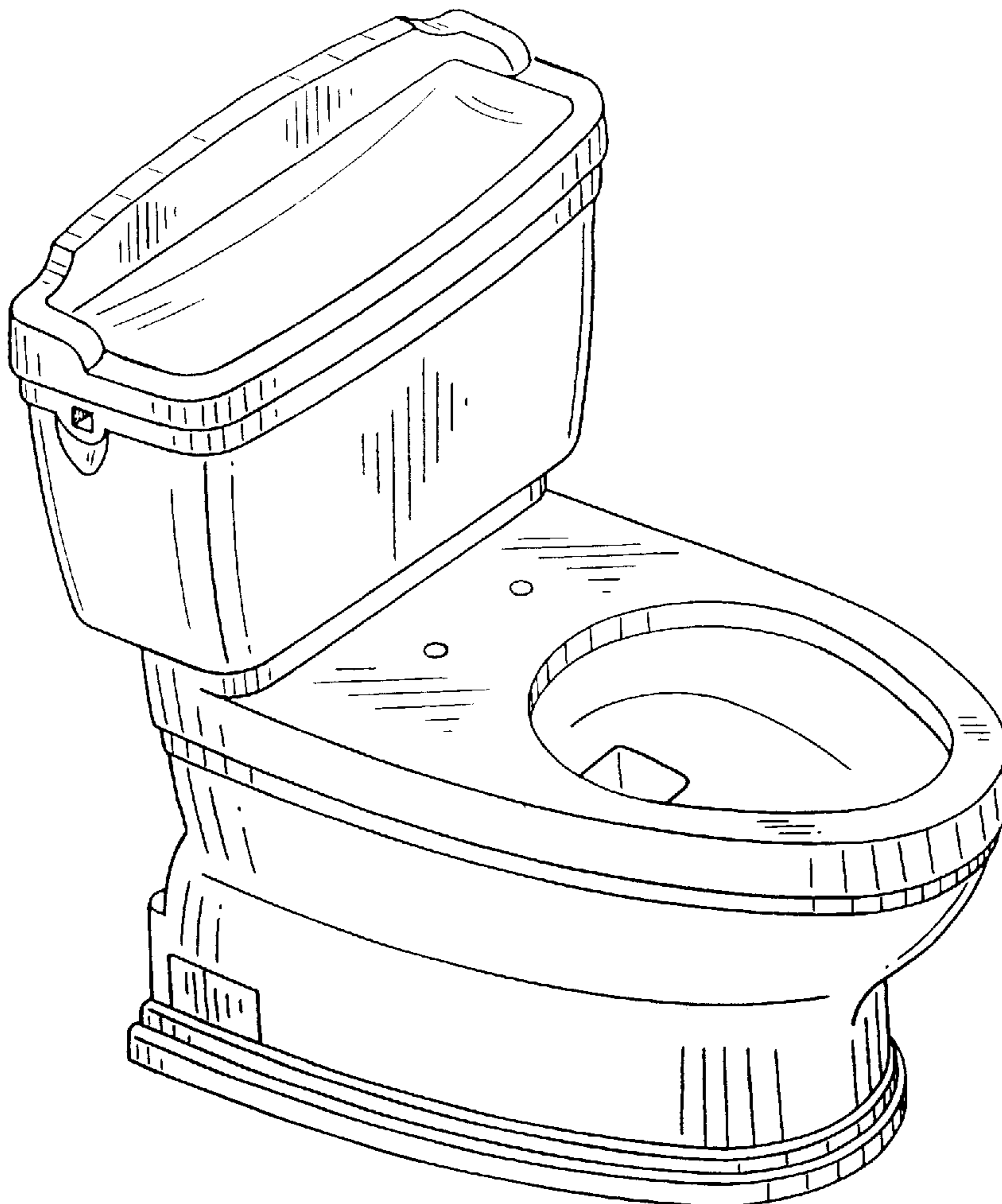


FIG. 1

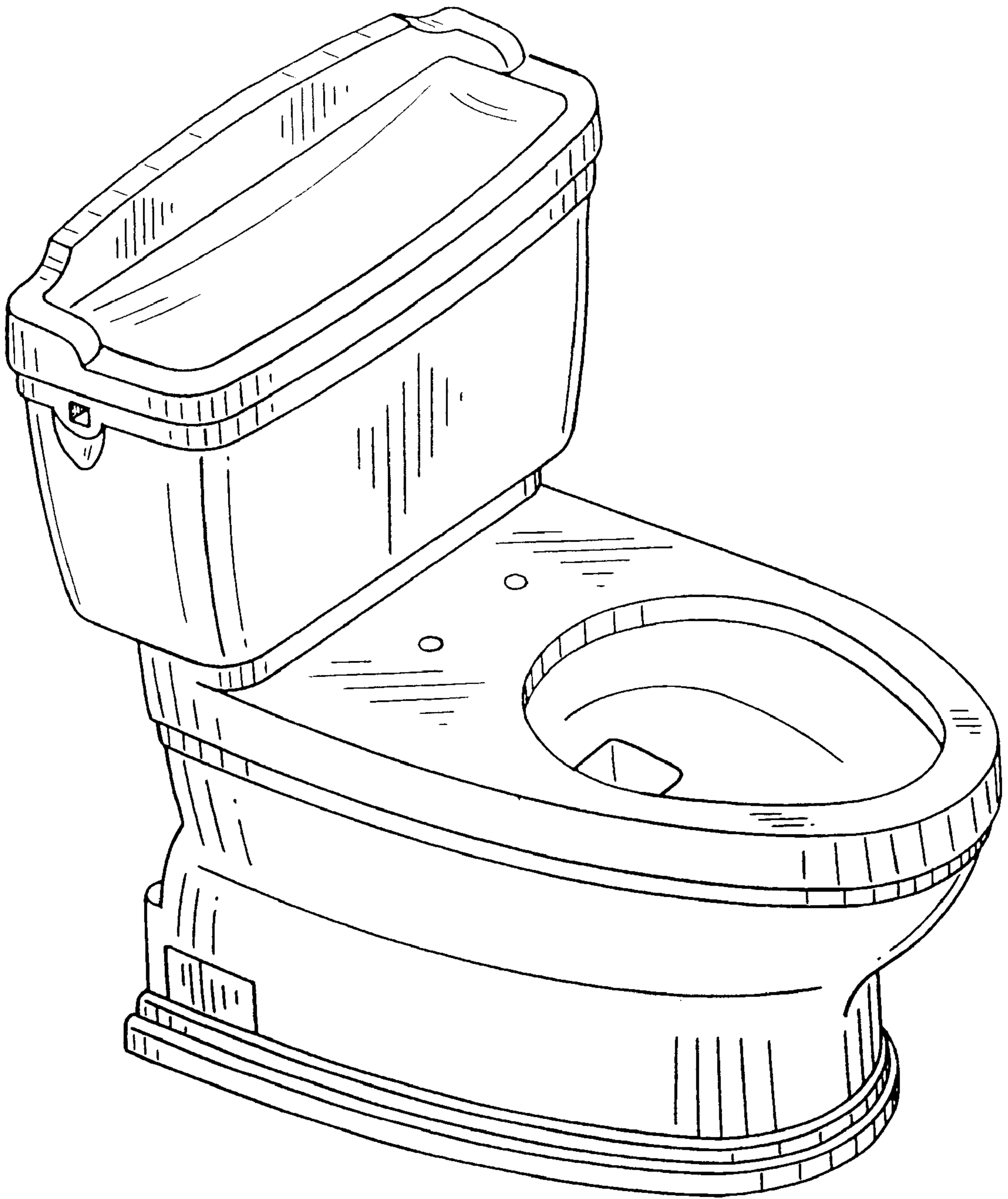


FIG. 3

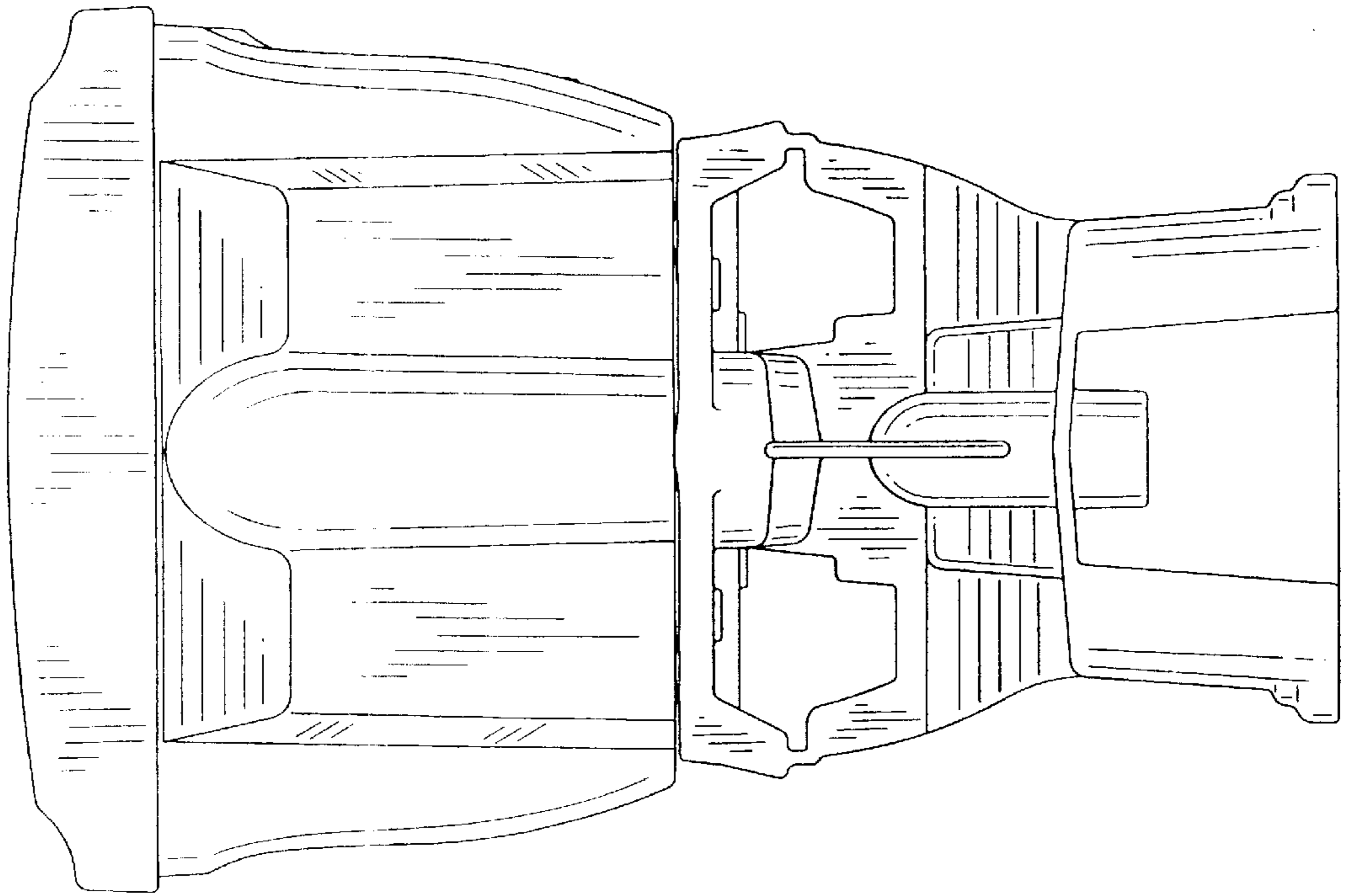


FIG. 2

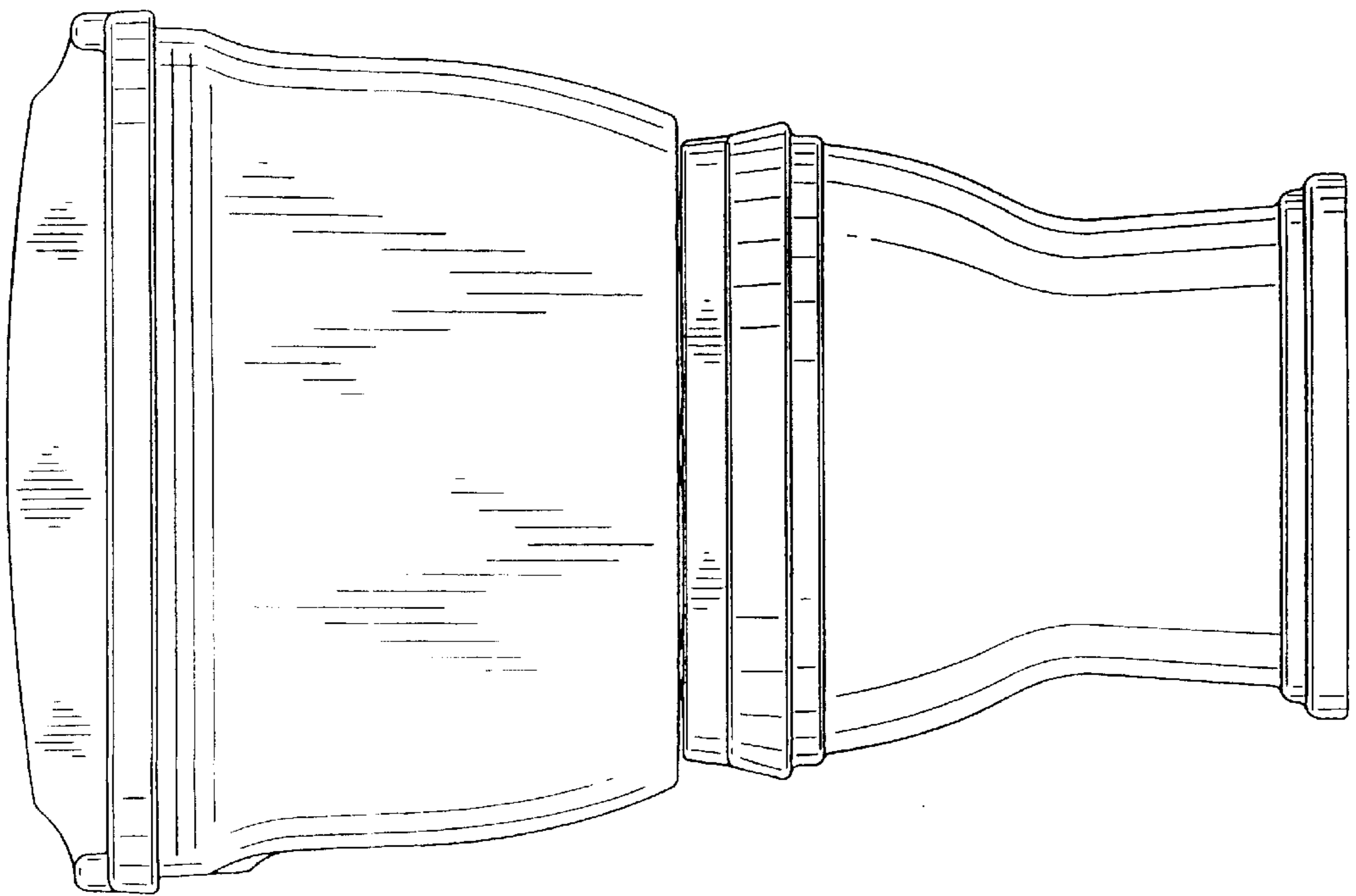


FIG. 5

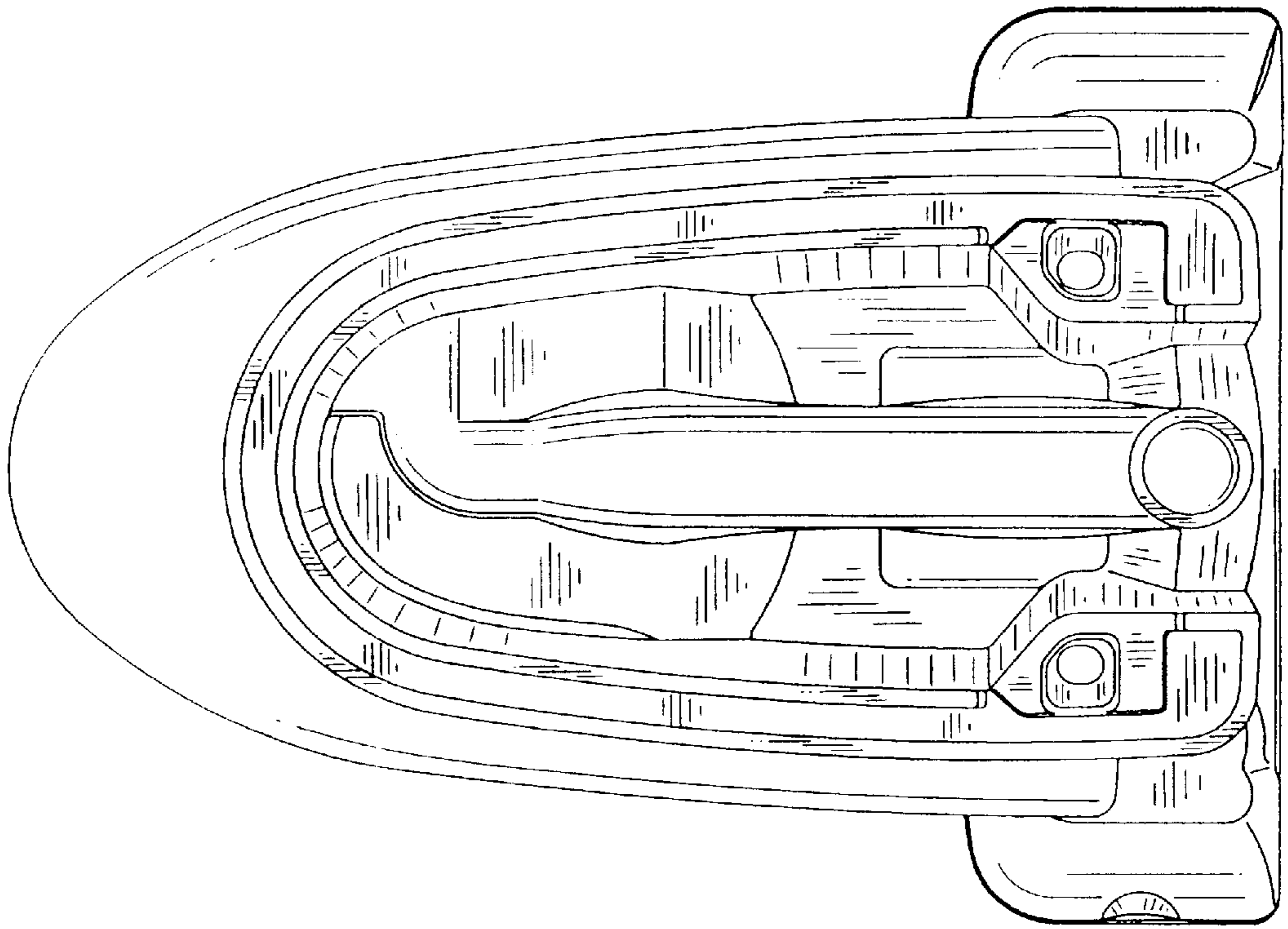


FIG. 4

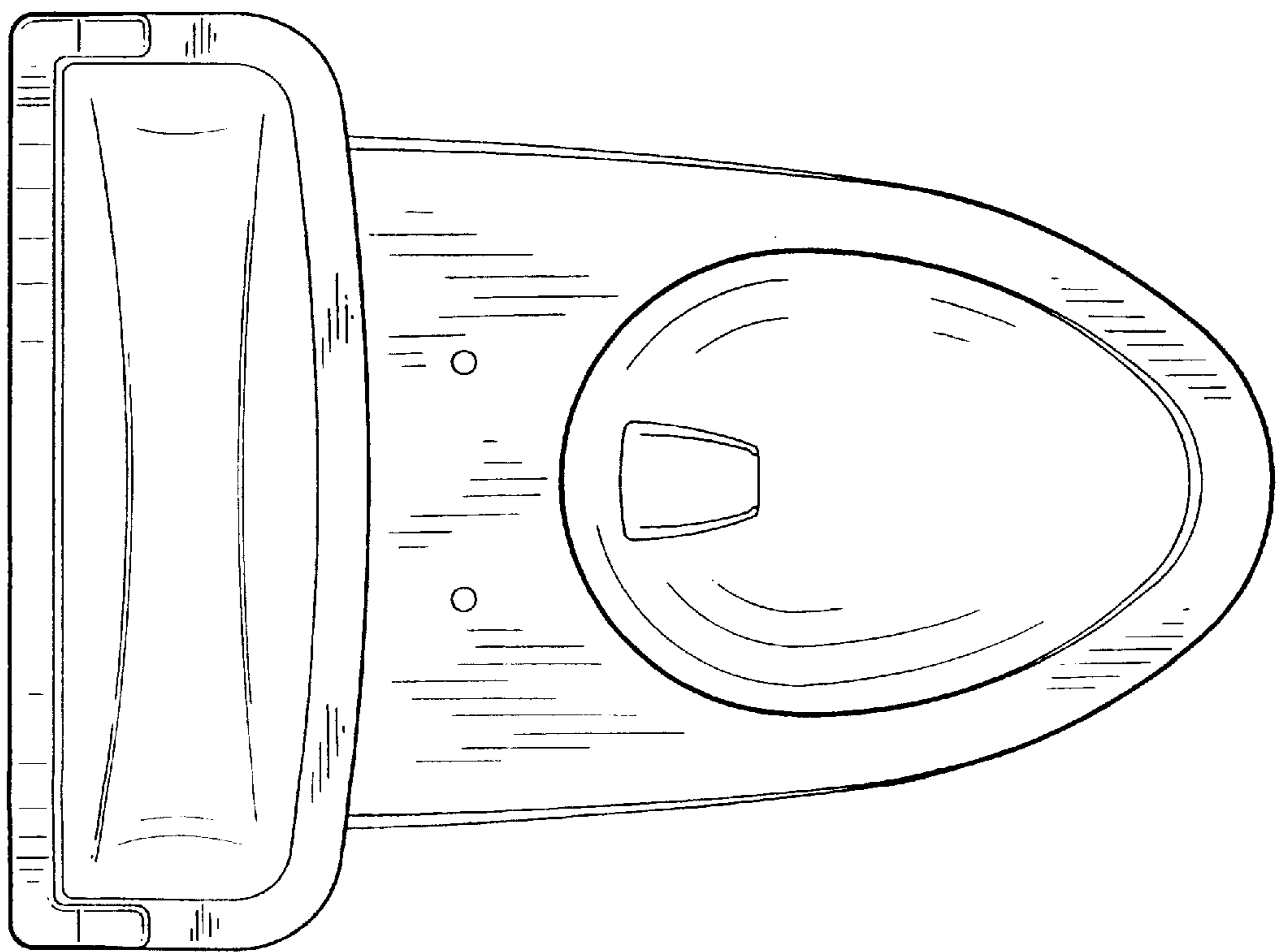


FIG. 6

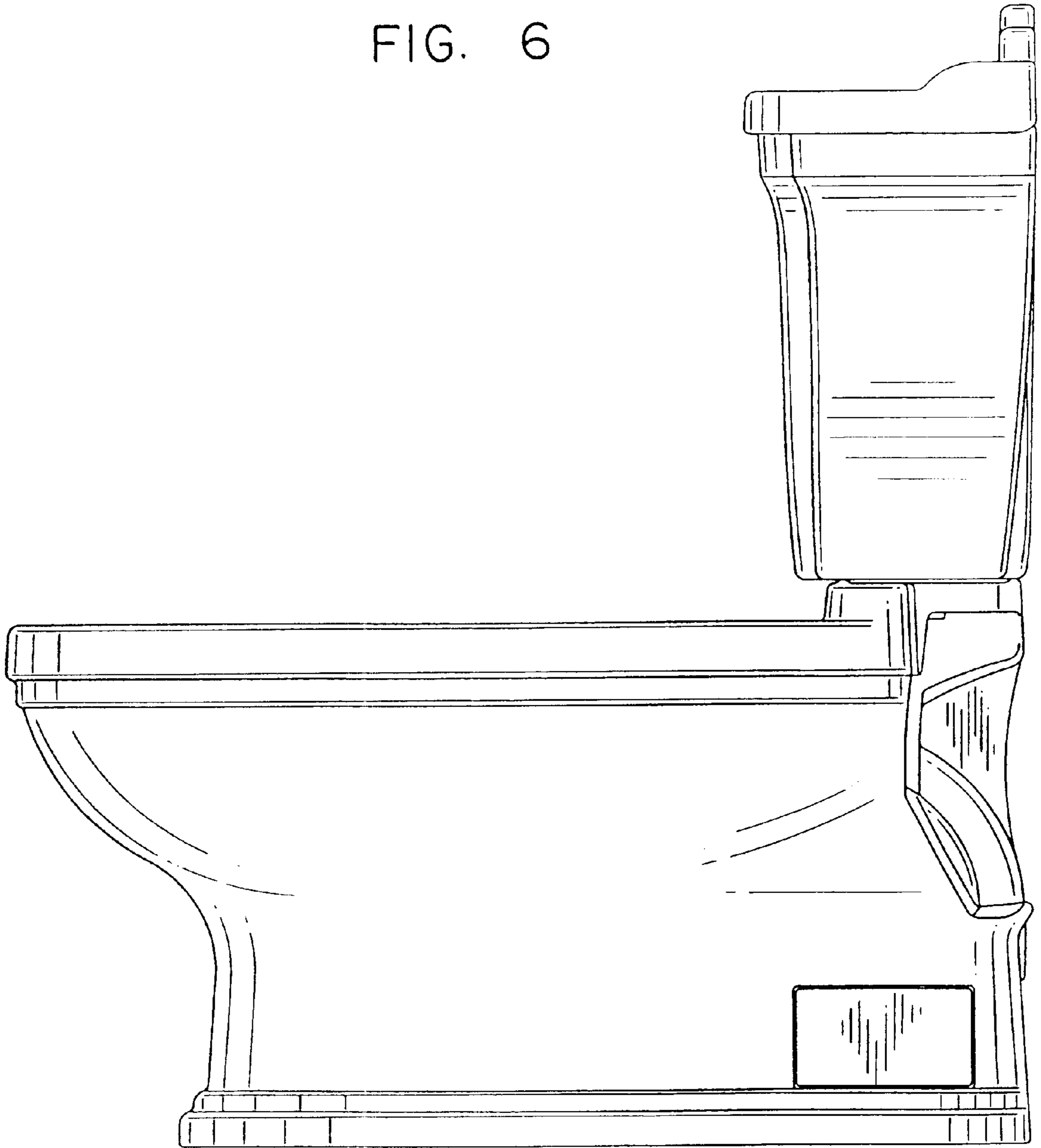


FIG. 7

