



US00D45355S

(12) **United States Design Patent**
Tako

(10) **Patent No.:** **US D453,555 S**

(45) **Date of Patent:** **** Feb. 12, 2002**

(54) **WATER CLOSET**

(75) Inventor: **Hiroataka Tako**, Fukuoka (JP)

(73) Assignee: **Toto Ltd.**, Kitakyusyu (JP)

(**) Term: **14 Years**

(21) Appl. No.: **29/136,569**

(22) Filed: **Feb. 5, 2001**

(30) **Foreign Application Priority Data**

Sep. 11, 2000 (JP) 12-025220

(51) **LOC (7) Cl.** **23-02**

(52) **U.S. Cl.** **D23/295**

(58) **Field of Search** D23/270-272,
D23/295, 296, 299-301, 303, 309-313;
4/667, 300, 329, 353-354, 419-420, 420.3,
443, 446, 449, 460, 476-477, 479-483,
902, DIG. 12, DIG. 15

(56) **References Cited**

U.S. PATENT DOCUMENTS

D250,202 S * 11/1978 Doman et al. D23/301
5,046,201 A * 9/1991 Steinhardt et al. 4/354

OTHER PUBLICATIONS

Morrow, Georgia: Toto Ltd. brochure; "Pacifica Toilet MS904114", Aug. 1999.*

* cited by examiner

Primary Examiner—Louis S. Zarfes

Assistant Examiner—Robert A. Delehanty

(57) **CLAIM**

The ornamental design for a water closet, as shown and described.

DESCRIPTION

FIG. 1 is a perspective view of a water closet showing my new design;

FIG. 2 is a left side elevational view thereof.

FIG. 3 is a right side elevational view thereof;

FIG. 4 is a top plan view thereof;

FIG. 5 is a bottom plan view thereof;

FIG. 6 is a front elevational view thereof; and,

FIG. 7 is a rear elevational view thereof.

The broken lines showing of the lower portion of the bowl and the drain hole are for illustrative purposes only and form no part of the claimed design.

1 Claim, 4 Drawing Sheets

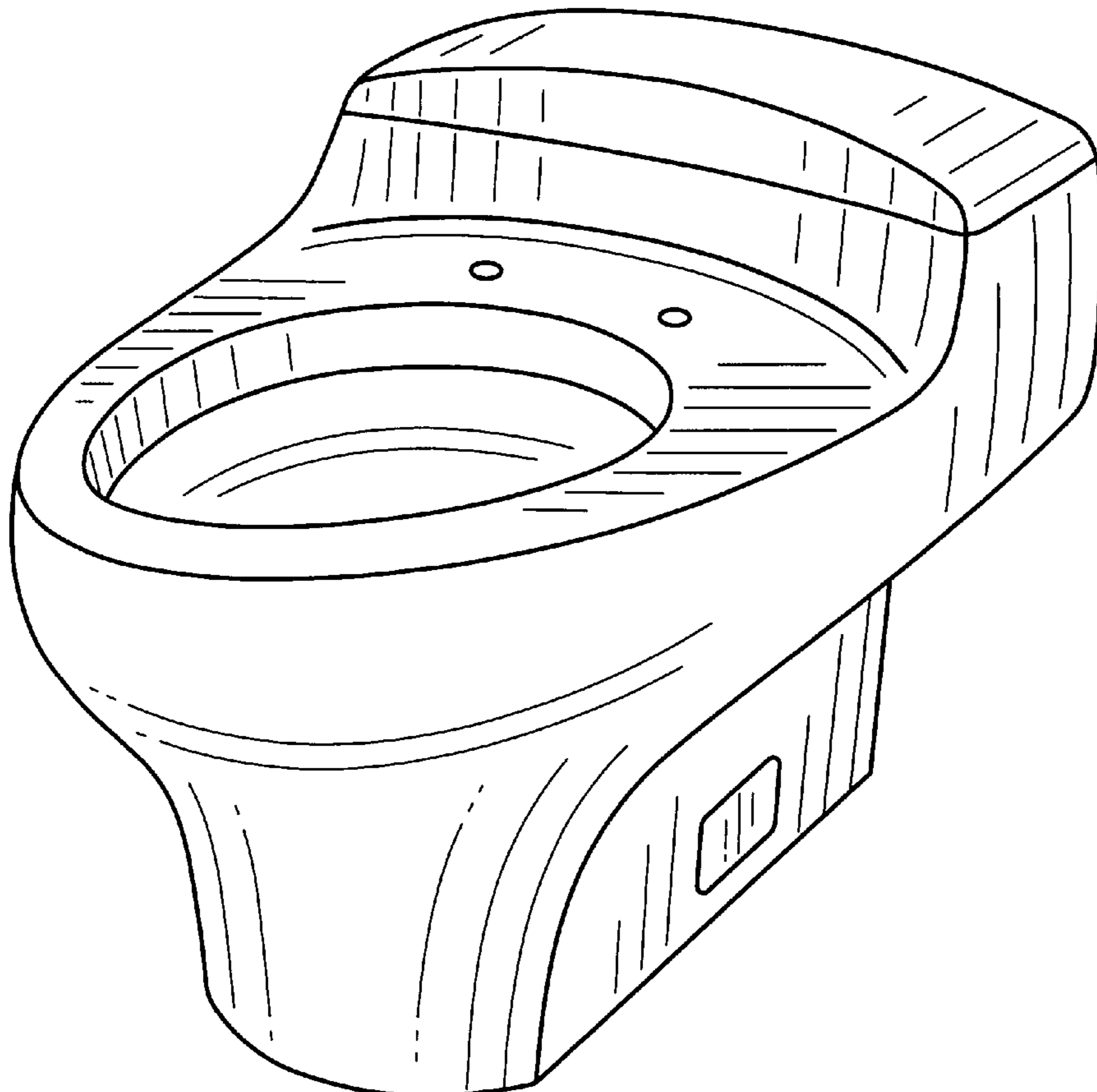


FIG. 1

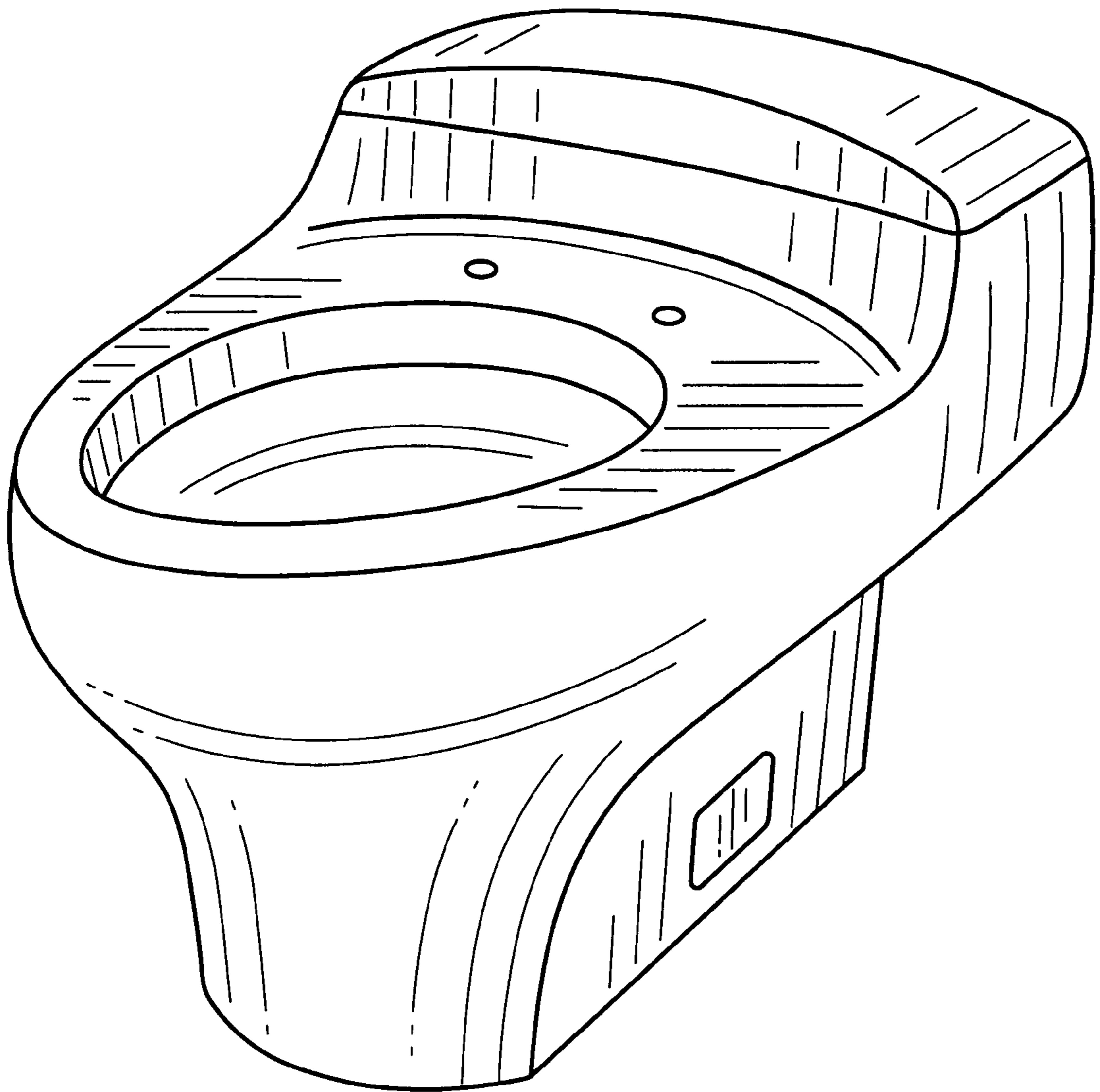


FIG.2

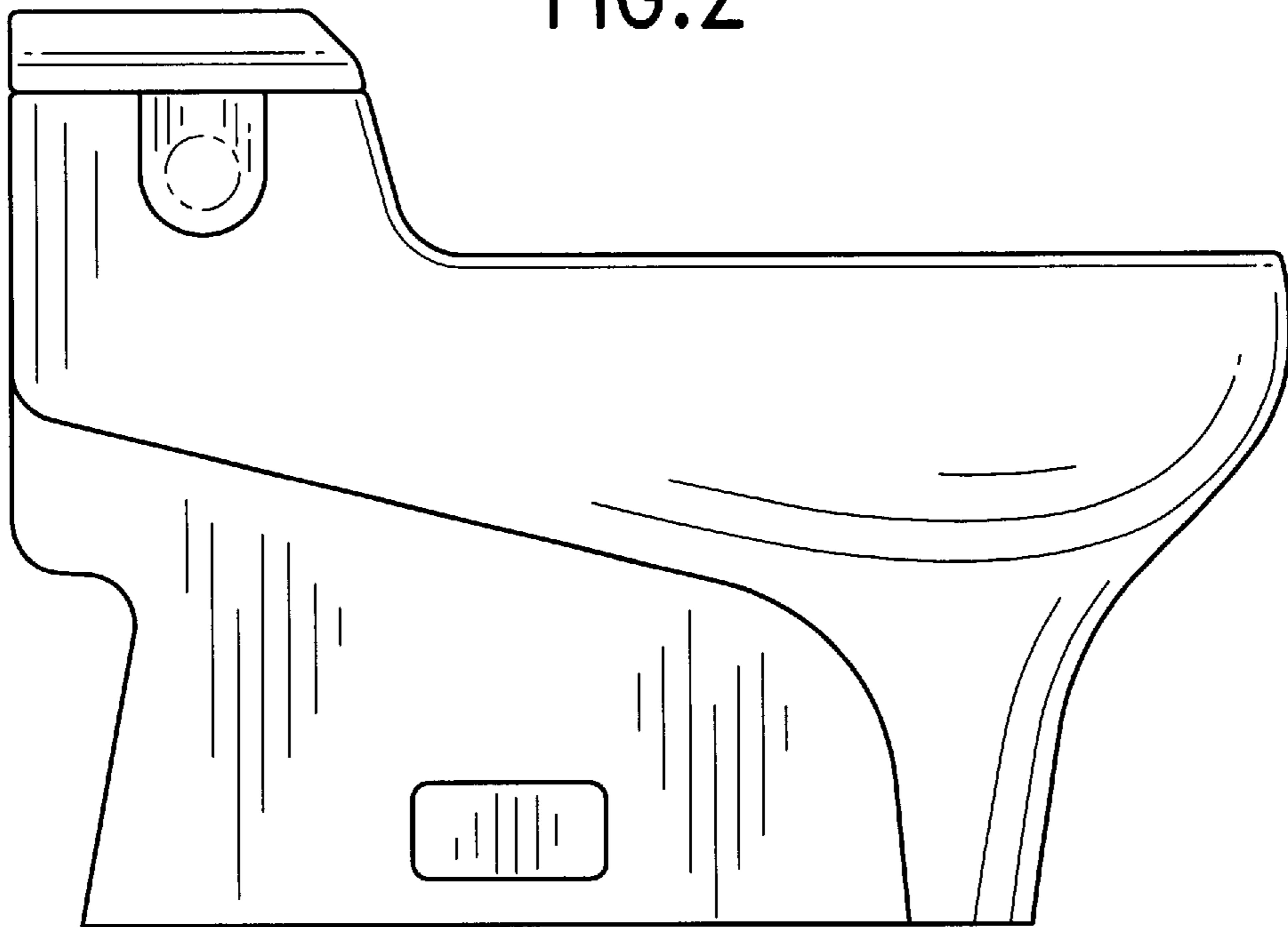


FIG.3

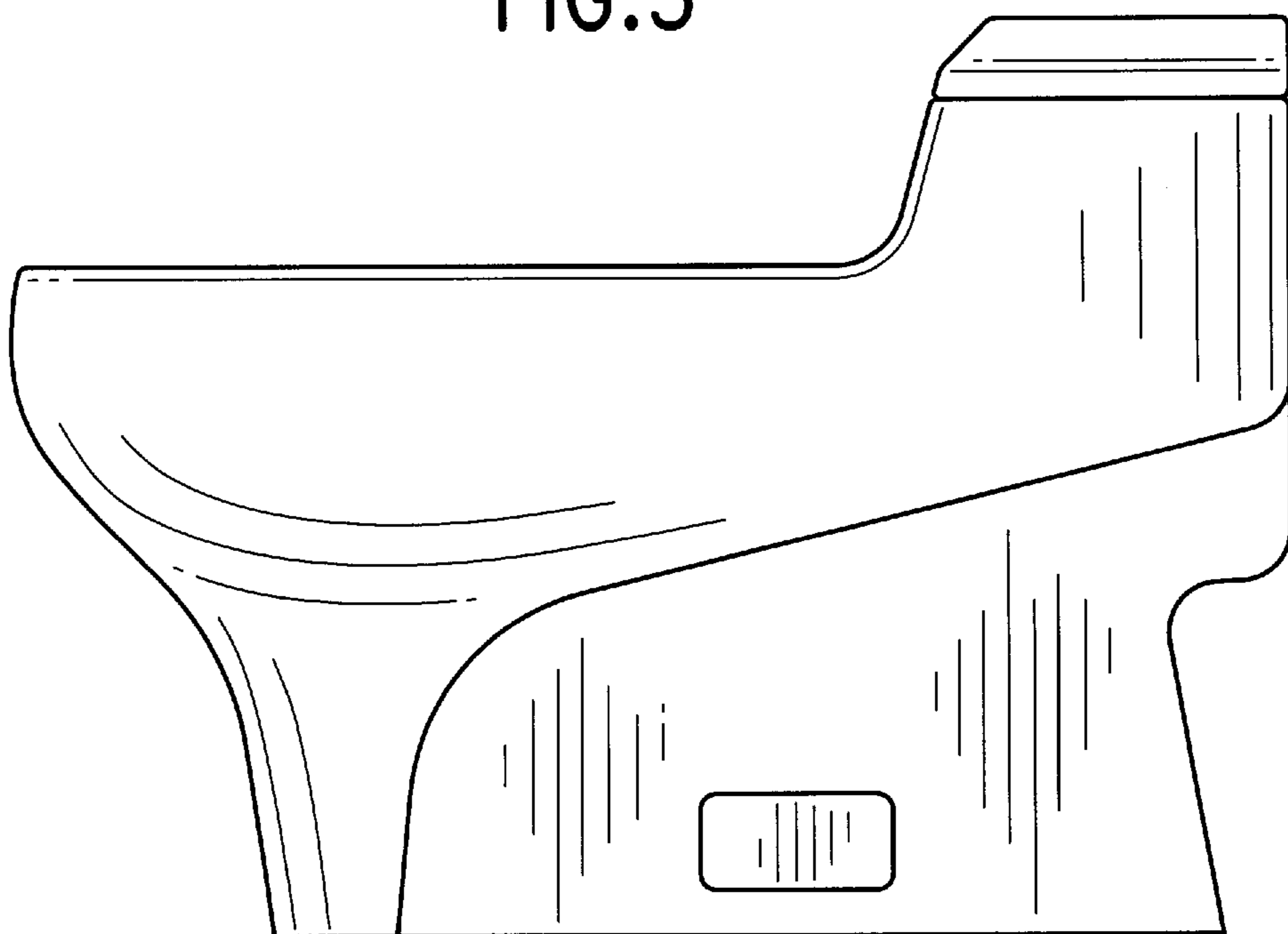


FIG.4

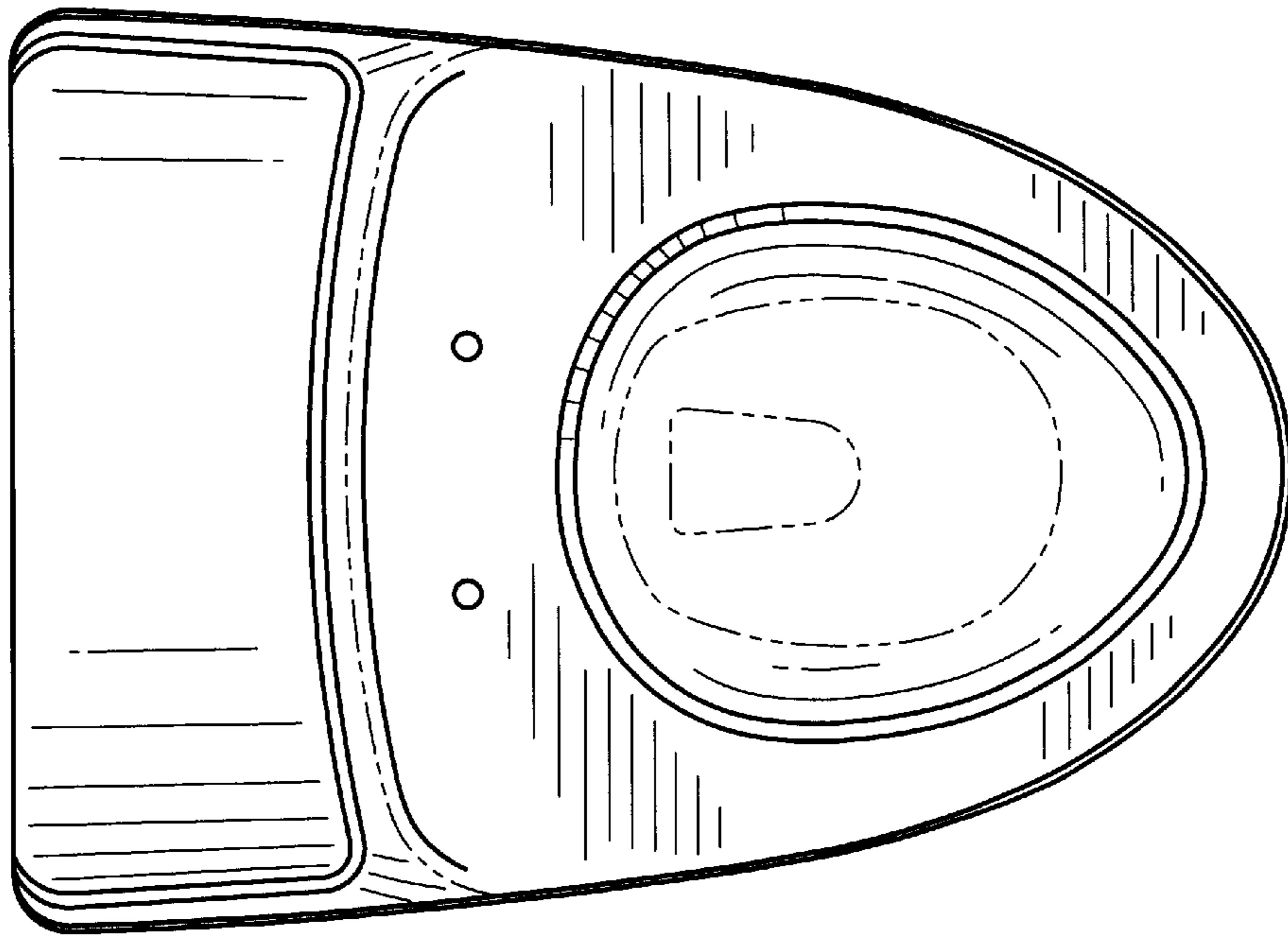


FIG.5

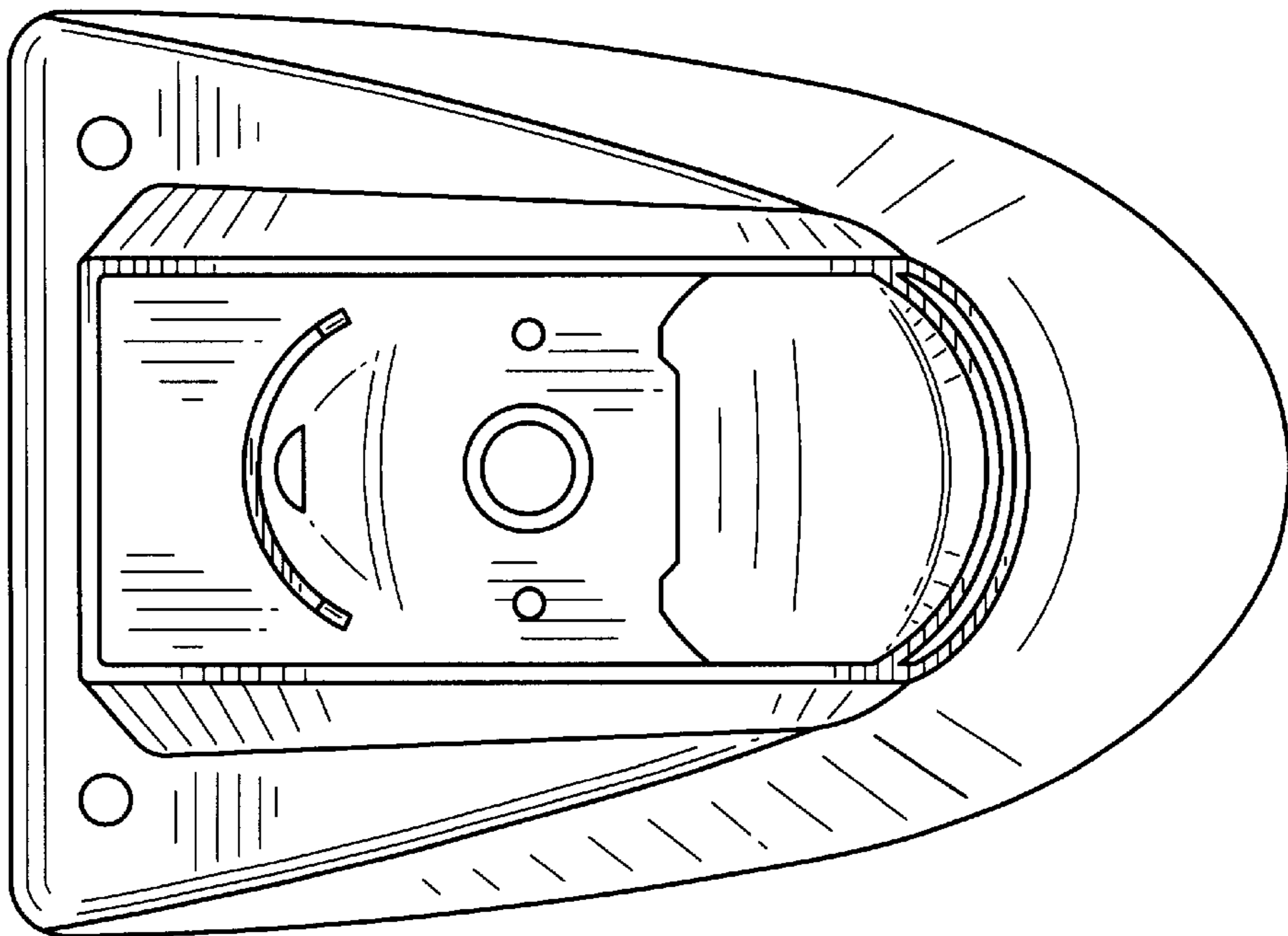


FIG. 6

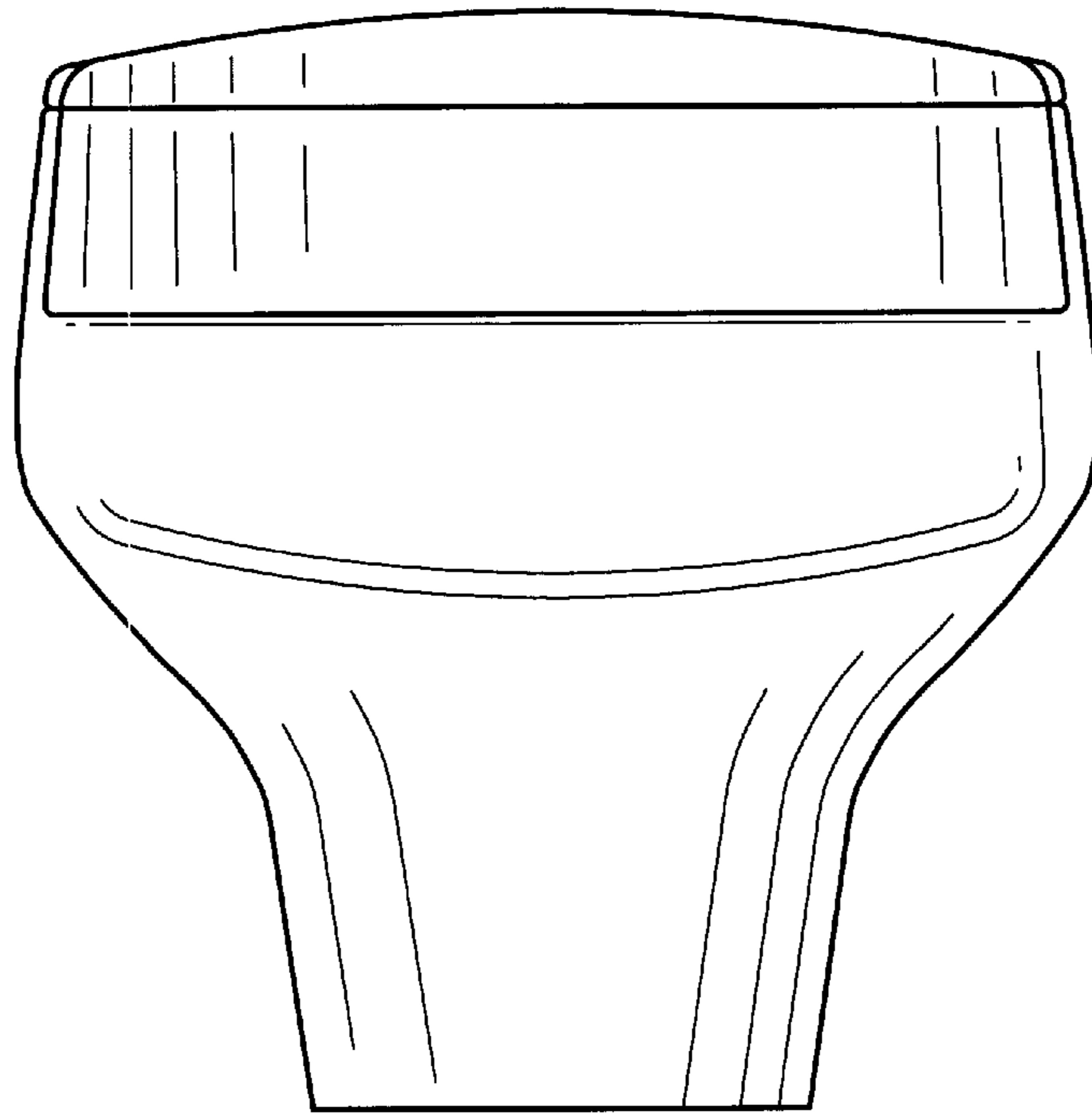


FIG. 7

