



US00D45354S

(12) **United States Design Patent**
Roberts

(10) **Patent No.:** **US D453,554 S**

(45) **Date of Patent:** **** Feb. 12, 2002**

(54) **SINK**

(76) **Inventor:** **Samuel K. Roberts**, 20 Morgan Ct.,
Lincoln, RI (US) 02865

(**) **Term:** **14 Years**

(21) **Appl. No.:** **29/141,530**

(22) **Filed:** **May 8, 2001**

(51) **LOC (7) Cl.** **23-02**

(52) **U.S. Cl.** **D23/290**

(58) **Field of Search** D23/284-291,
D23/303, 308, 270-274; 4/619-620, 625,
631-636, 638-643, 650, 660, 661

(56) **References Cited**

U.S. PATENT DOCUMENTS

D203,802 S	*	2/1966	Graning, Jr.	D23/290
D226,378 S	*	2/1973	Domon	D23/290
D259,439 S	*	6/1981	Doman	D23/287
D318,104 S	*	7/1991	Blanc et al.	D23/290
D318,523 S	*	7/1991	Blanc et al.	D23/290
D319,687 S	*	9/1991	Kohler, Jr. et al.	D23/287
D323,879 S	*	2/1992	Sauter	D23/290
D324,908 S	*	3/1992	Sauter et al.	D23/290

OTHER PUBLICATIONS

Kohler Co., Kohler Cast Iron Kitchen Sinks, 1999, p. 341,
Kohler, Wisconsin, USA.

* cited by examiner

Primary Examiner—Louis S. Zarfes
Assistant Examiner—Robert A. Delehanty

(57) **CLAIM**

The ornamental design for a sink, as shown and described.

DESCRIPTION

FIG. 1 is a right, top, front perspective view of a sink
embodying my design;

FIG. 2 is a top plan view thereof;

FIG. 3 is a front elevation view thereof;

FIG. 4 is a rear elevation view thereof;

FIG. 5 is a right side elevation view thereof;

FIG. 6 is a left side elevation view thereof;

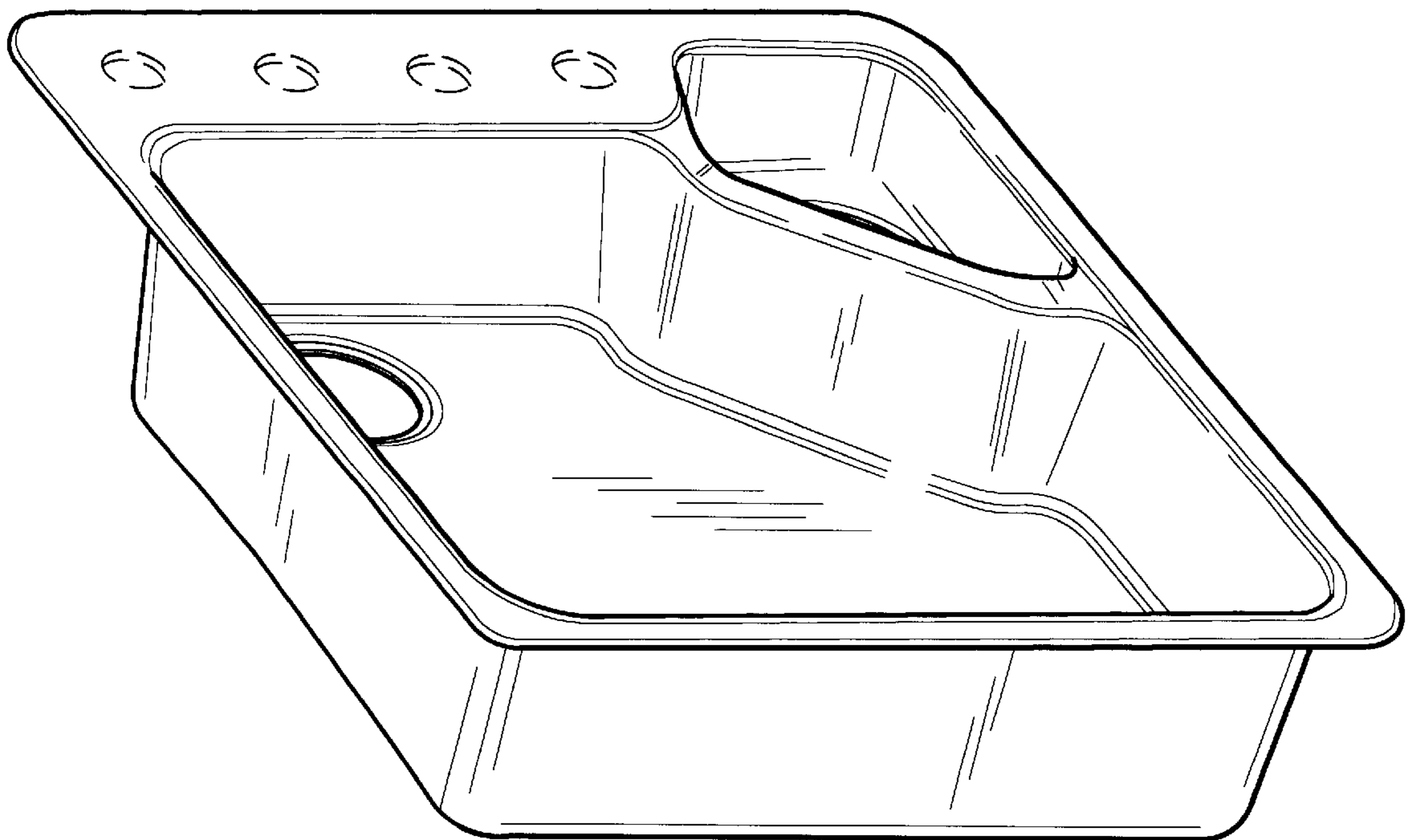
FIG. 7 is a cross sectional view taken along line 7—7 of FIG.
2;

FIG. 8 is a cross sectional view taken along line 8—8 of FIG.
2; and,

FIG. 9 is a top view of an alternative embodiment of my new
design.

The fragmentary broken line representation of faucet holes
in FIG. 1, FIG. 2 and FIG. 9 are for the purposes of
illustration only, and form no part of the claimed design.

1 Claim, 3 Drawing Sheets



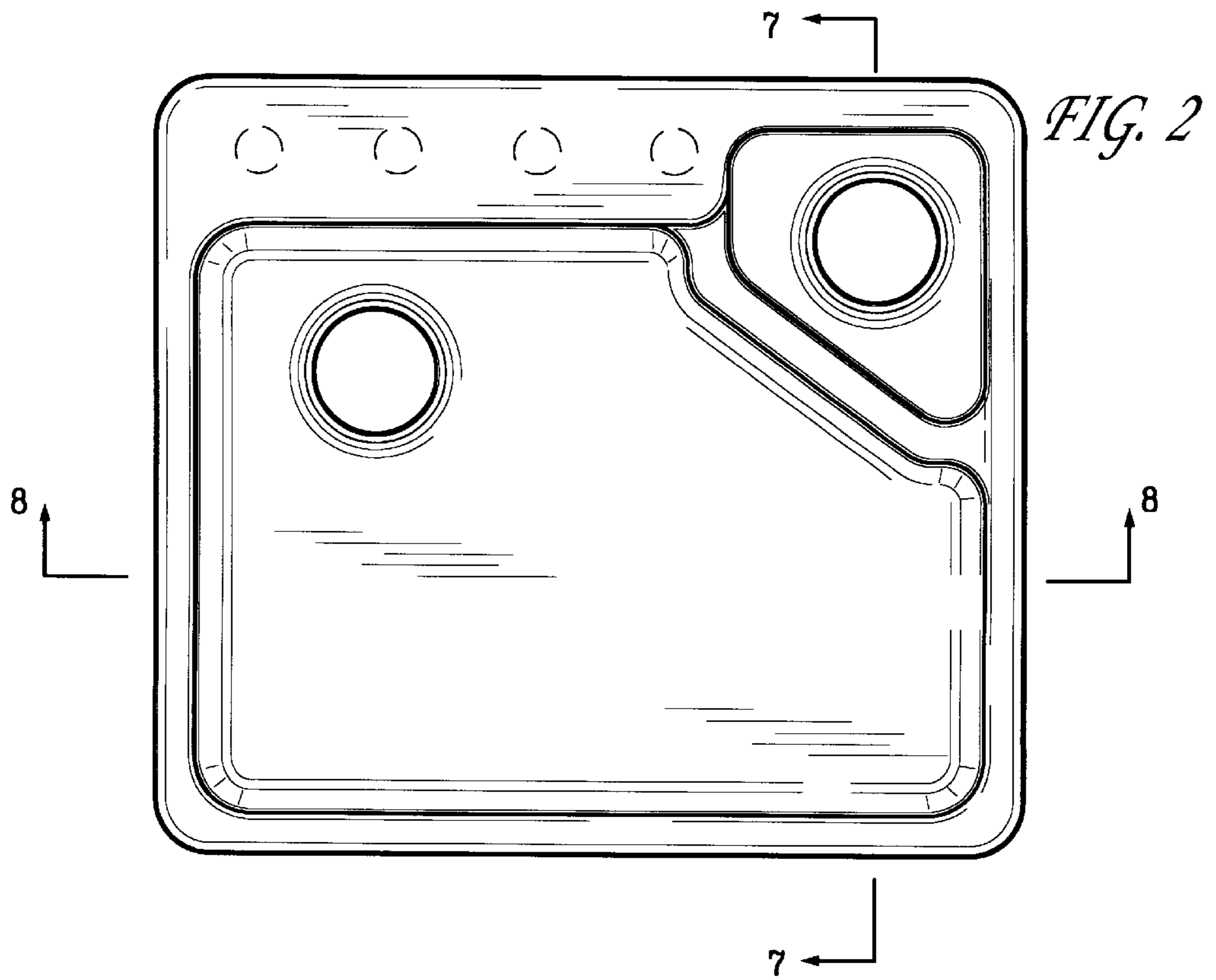
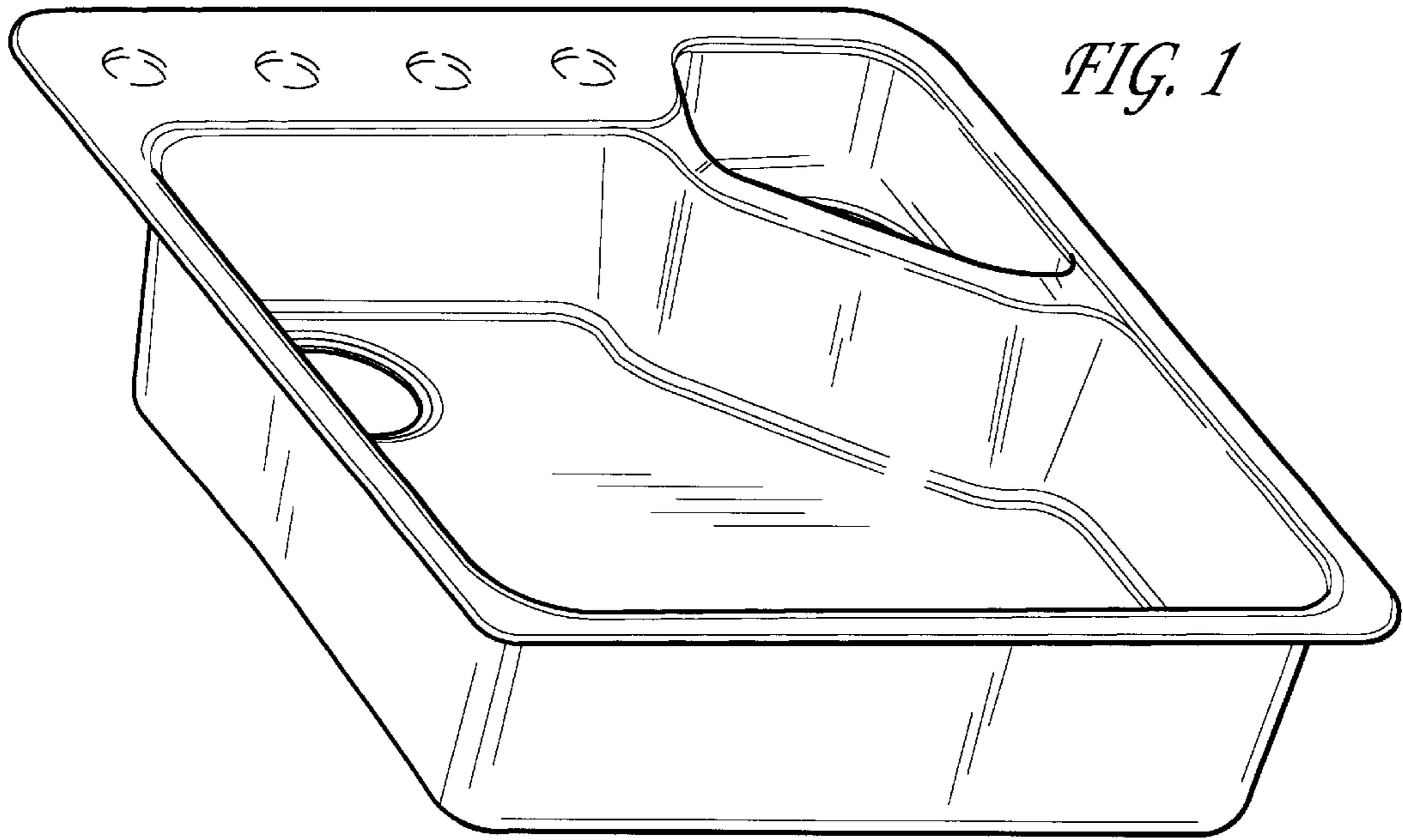


FIG. 3

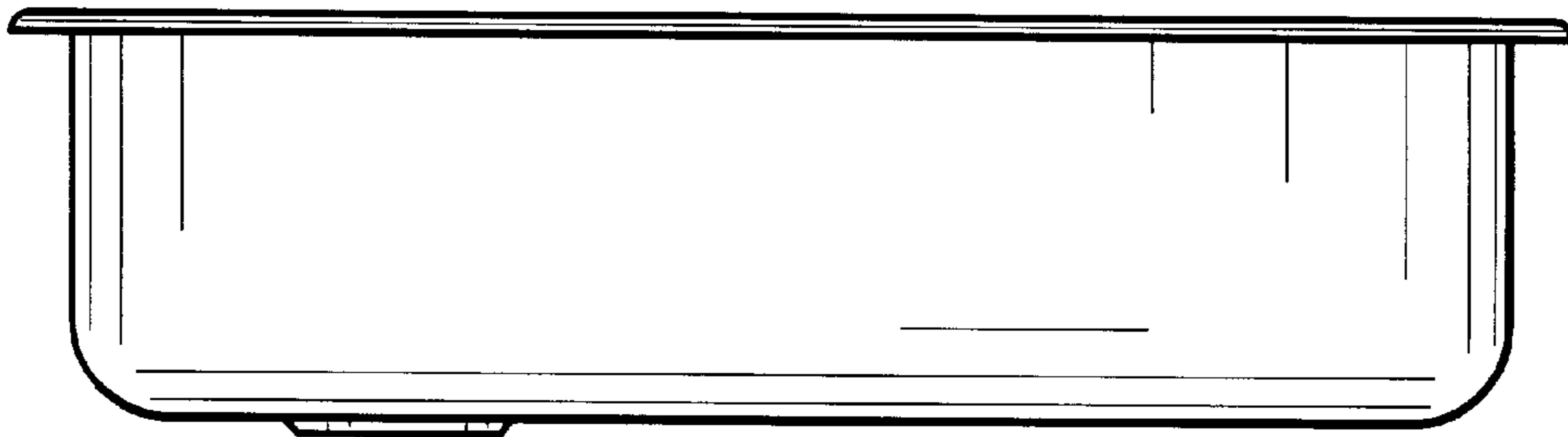


FIG. 4

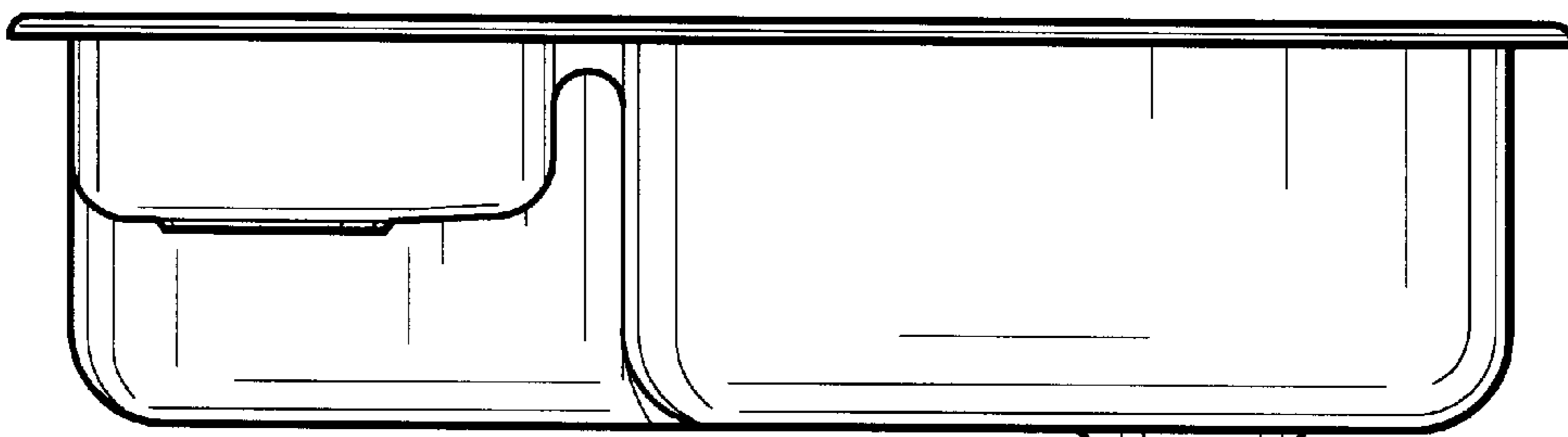


FIG. 5

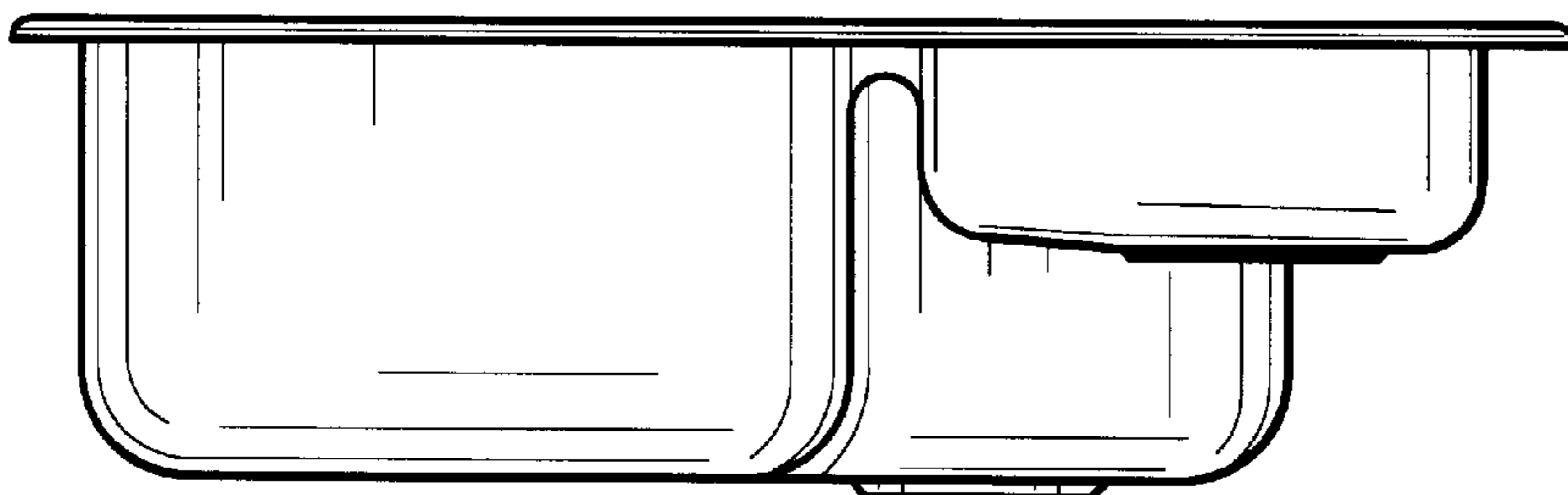


FIG. 6

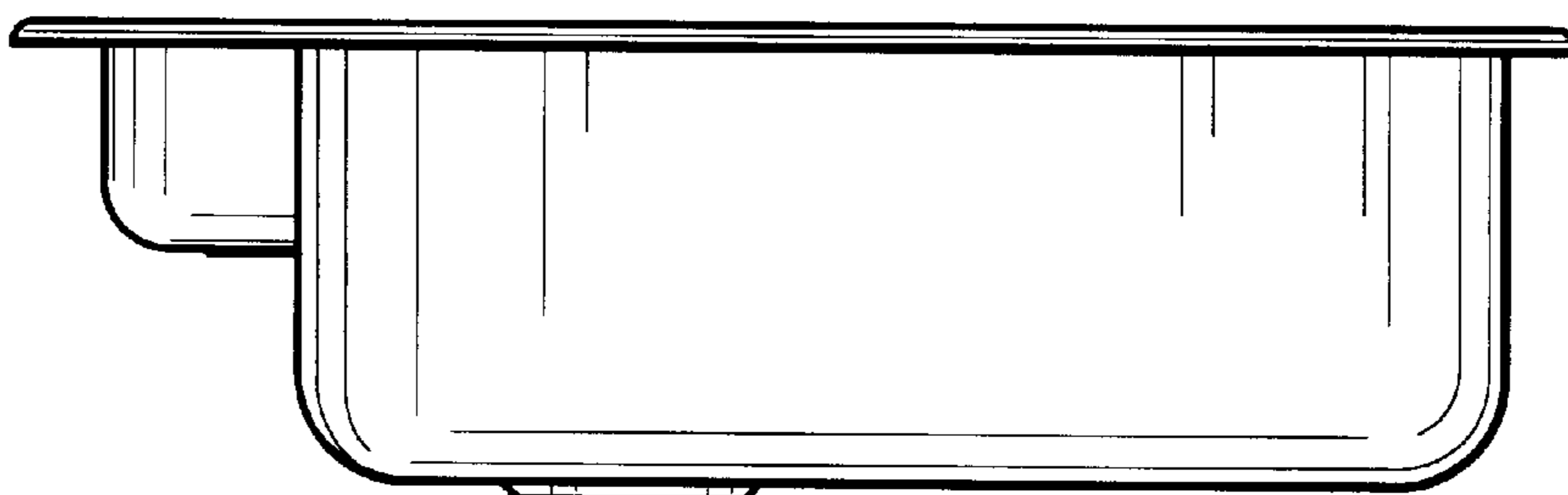


FIG. 7

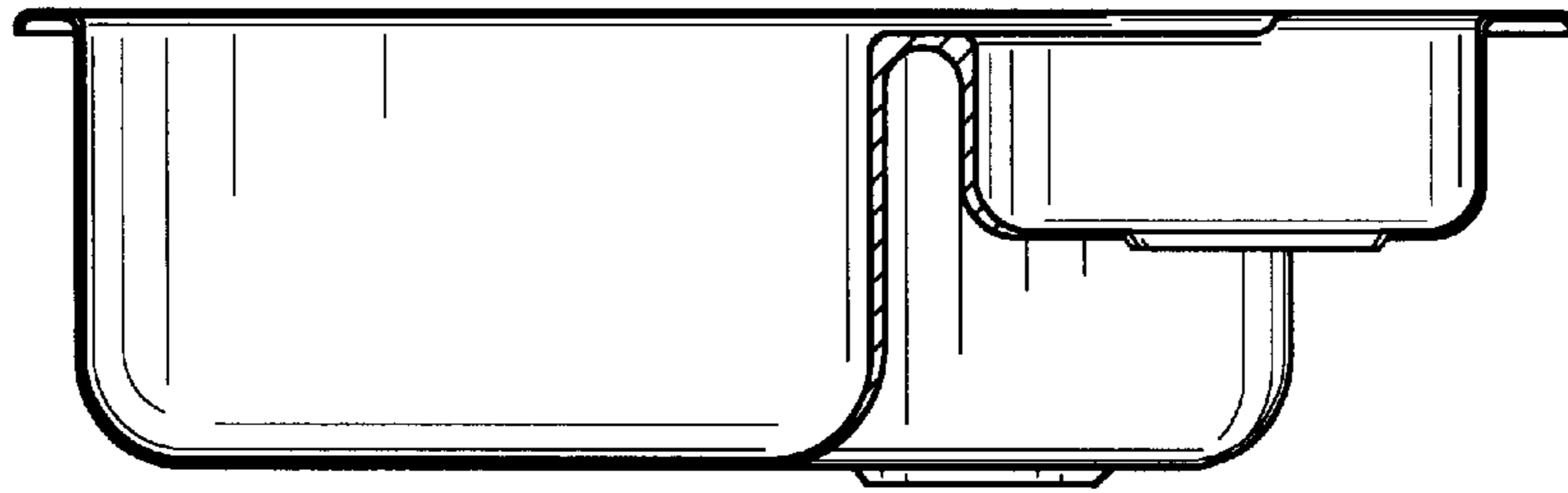


FIG. 8

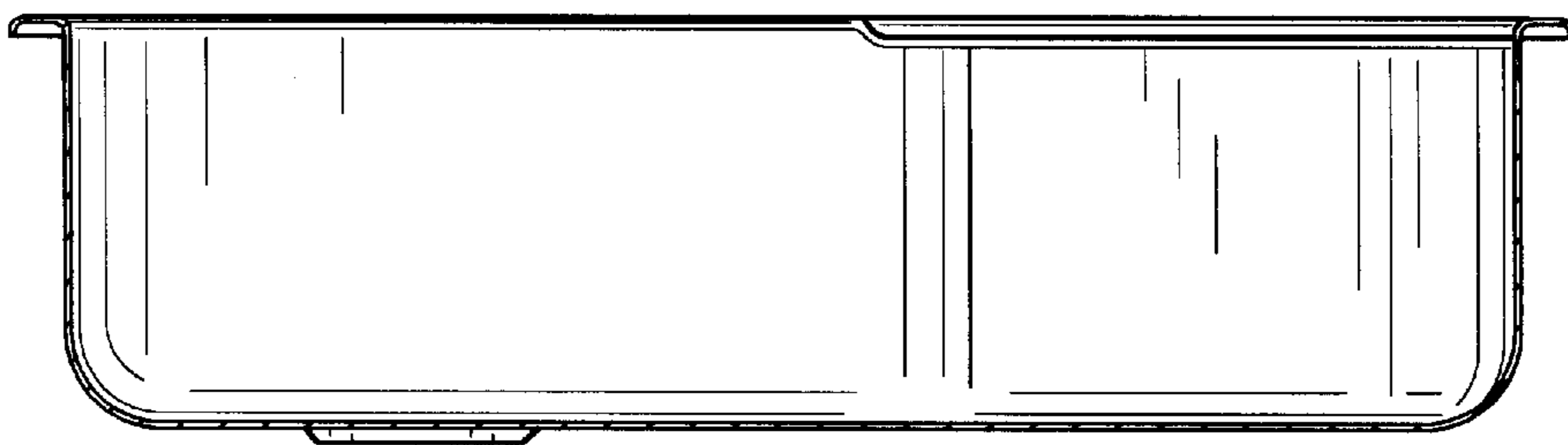


FIG. 9

