



US00D453553S

(12) **United States Design Patent**
Maerz

(10) **Patent No.:** **US D453,553 S**

(45) **Date of Patent:** **** Feb. 12, 2002**

(54) **PLUMBING ELBOW**

D437,633 S * 2/2001 Weise et al. D23/263

(76) Inventor: **Hart Maerz**, 215 Aberfoyle Ave,
Hamilton, Ontario (CA), L8K 4S4

* cited by examiner

Primary Examiner—Robin V. Taylor

(**) Term: **14 Years**

(57) **CLAIM**

(21) Appl. No.: **29/131,803**

The ornamental design for a plumbing elbow, as shown and described.

(22) Filed: **Oct. 26, 2000**

DESCRIPTION

(51) **LOC (7) Cl.** **23-01**

(52) **U.S. Cl.** **D23/263**

(58) **Field of Search** D23/262-264;
285/179, 179.1

FIG. 1 is a front elevational view of the plumbing elbow of the present invention;

FIG. 2 is a rear elevational view of the plumbing elbow of FIG. 1;

FIG. 3 is a left side elevational view of the plumbing elbow of FIG. 1;

FIG. 4 is a right side elevational view of the plumbing elbow of FIG. 1;

FIG. 5 is a top plan view of the plumbing elbow of FIG. 1;

FIG. 6 is a bottom plan view of the plumbing elbow of FIG. 1; and,

FIG. 7 is a perspective view of a plumbing elbow of FIG. 1.

(56) **References Cited**

U.S. PATENT DOCUMENTS

1,982,498 A	11/1934	Cornell, Jr.	
D132,939 S *	6/1942	Corley D23/263
2,292,328 A	8/1942	Sisk	
D135,634 S *	5/1943	Stark et al. D23/263
5,090,743 A	2/1992	Obering	
5,509,148 A	4/1996	Steele et al.	
D389,562 S	1/1998	Picton	
5,775,736 A	7/1998	Svetlik	

1 Claim, 4 Drawing Sheets

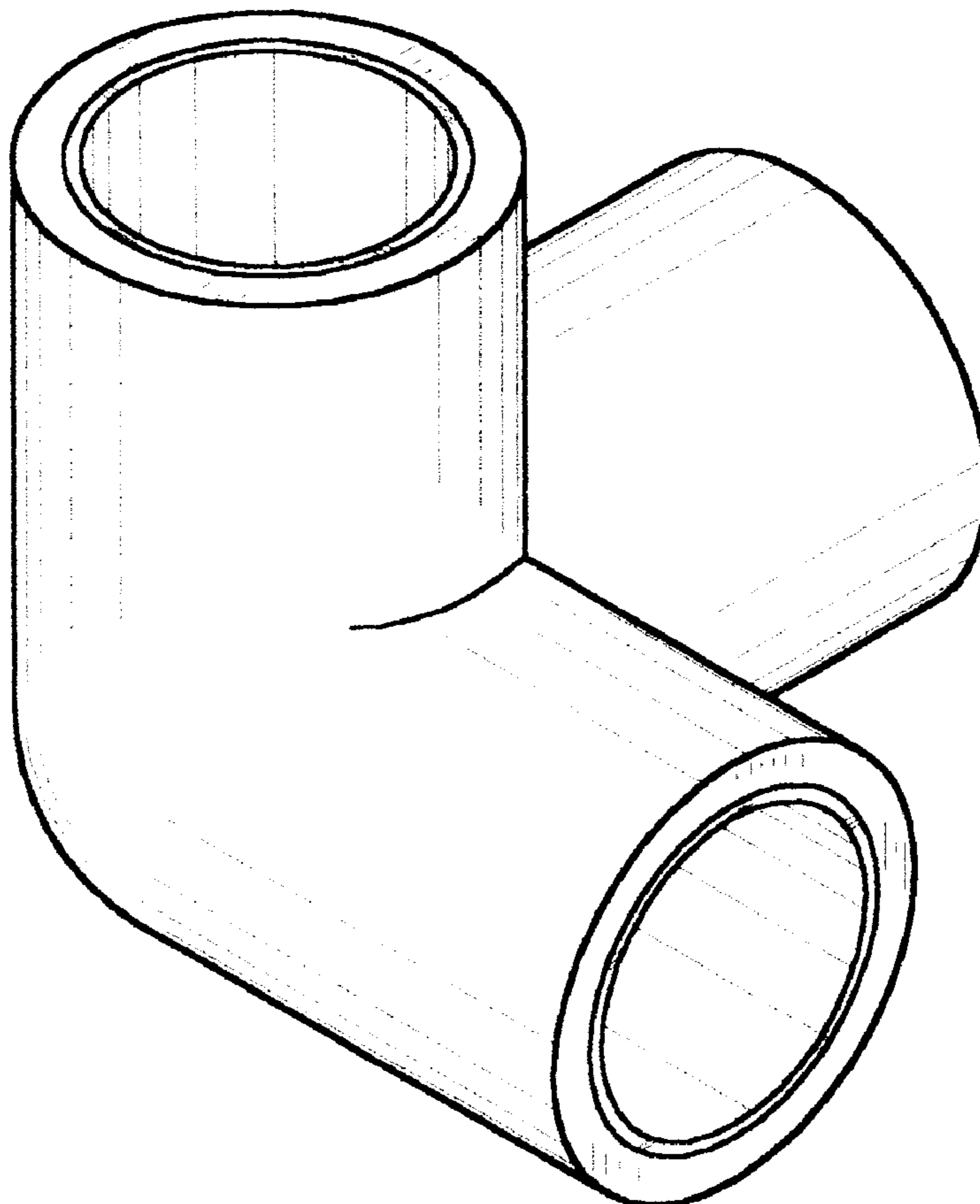


FIG. 1

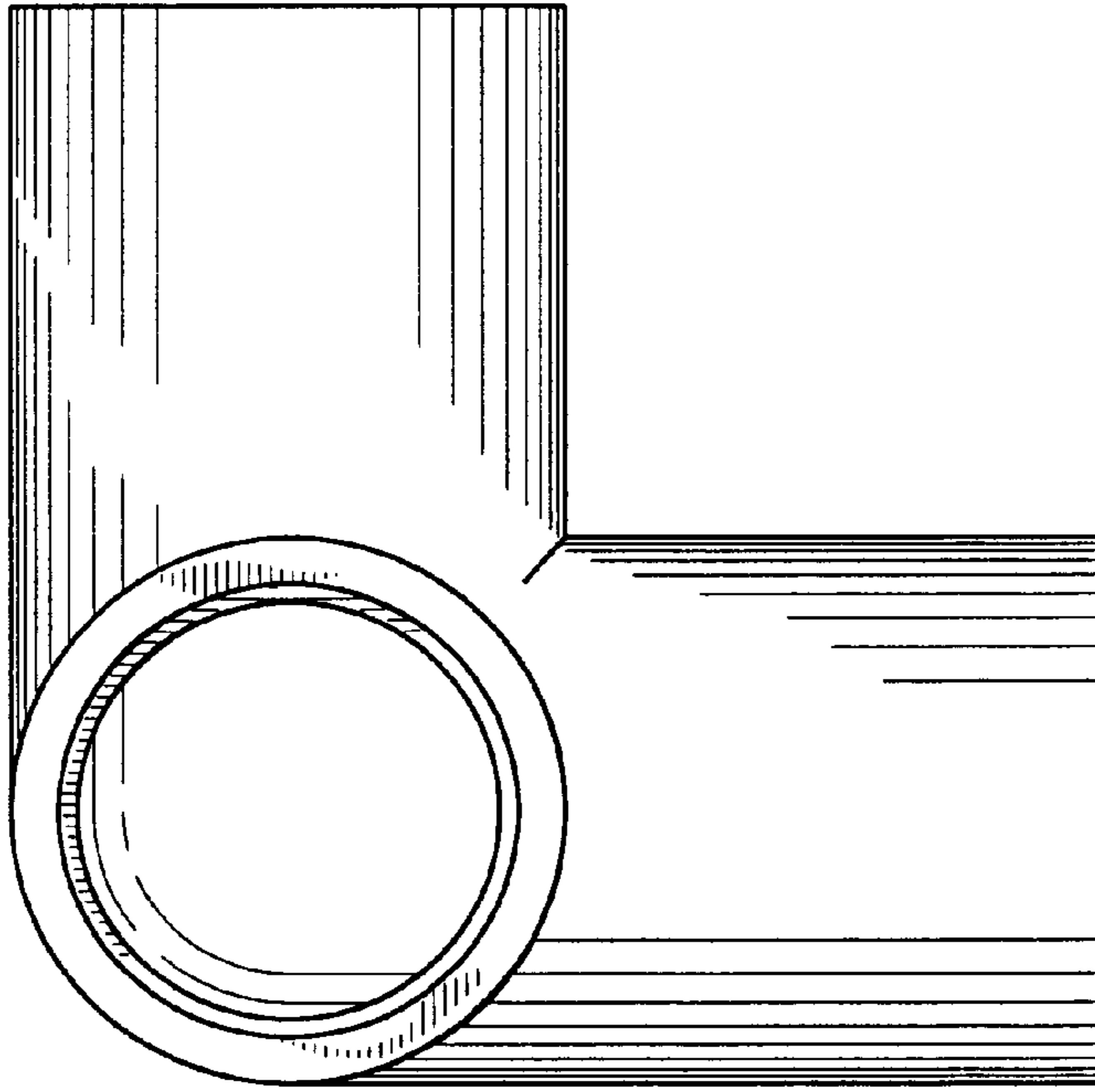


FIG. 2

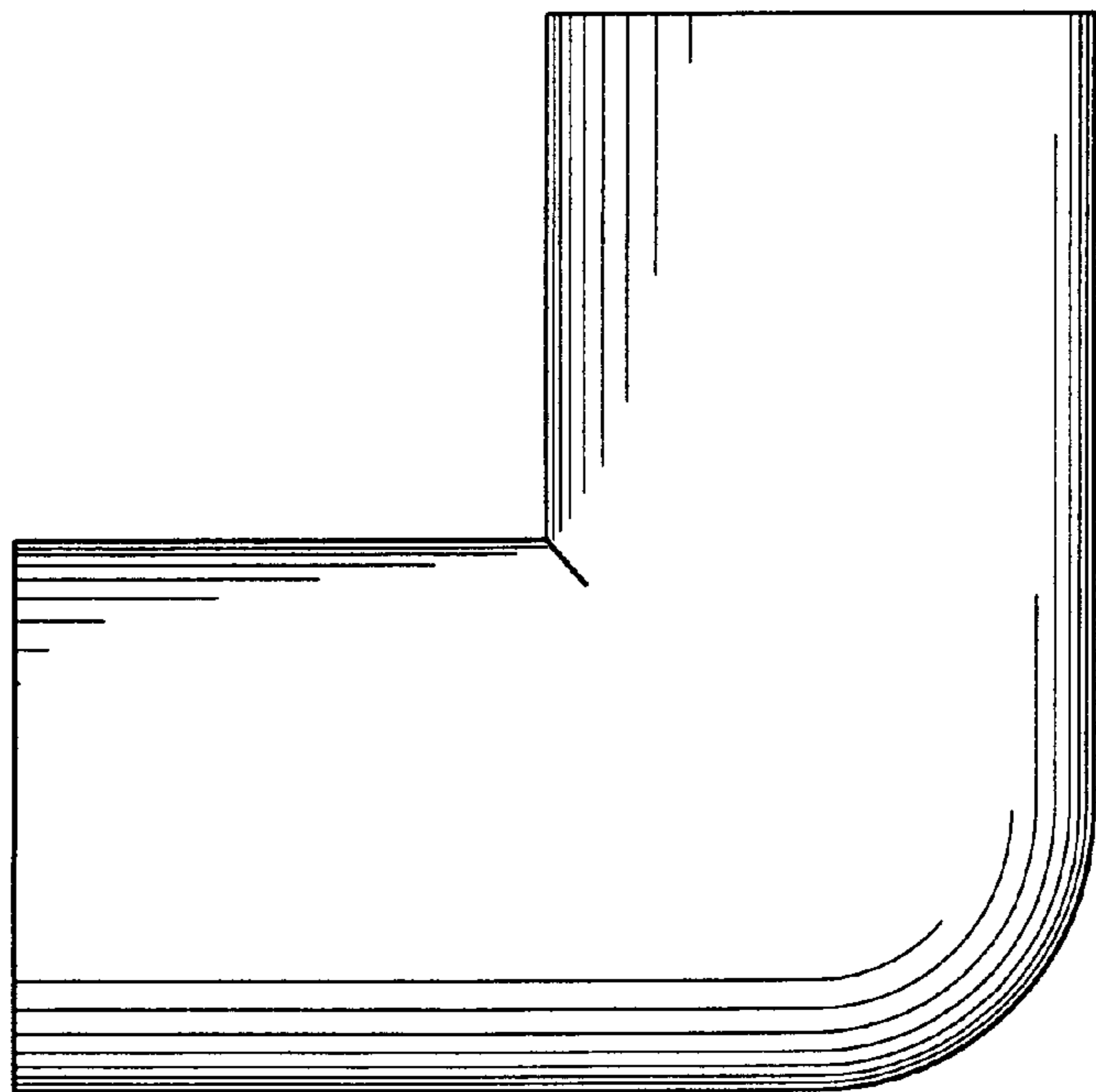


FIG. 3

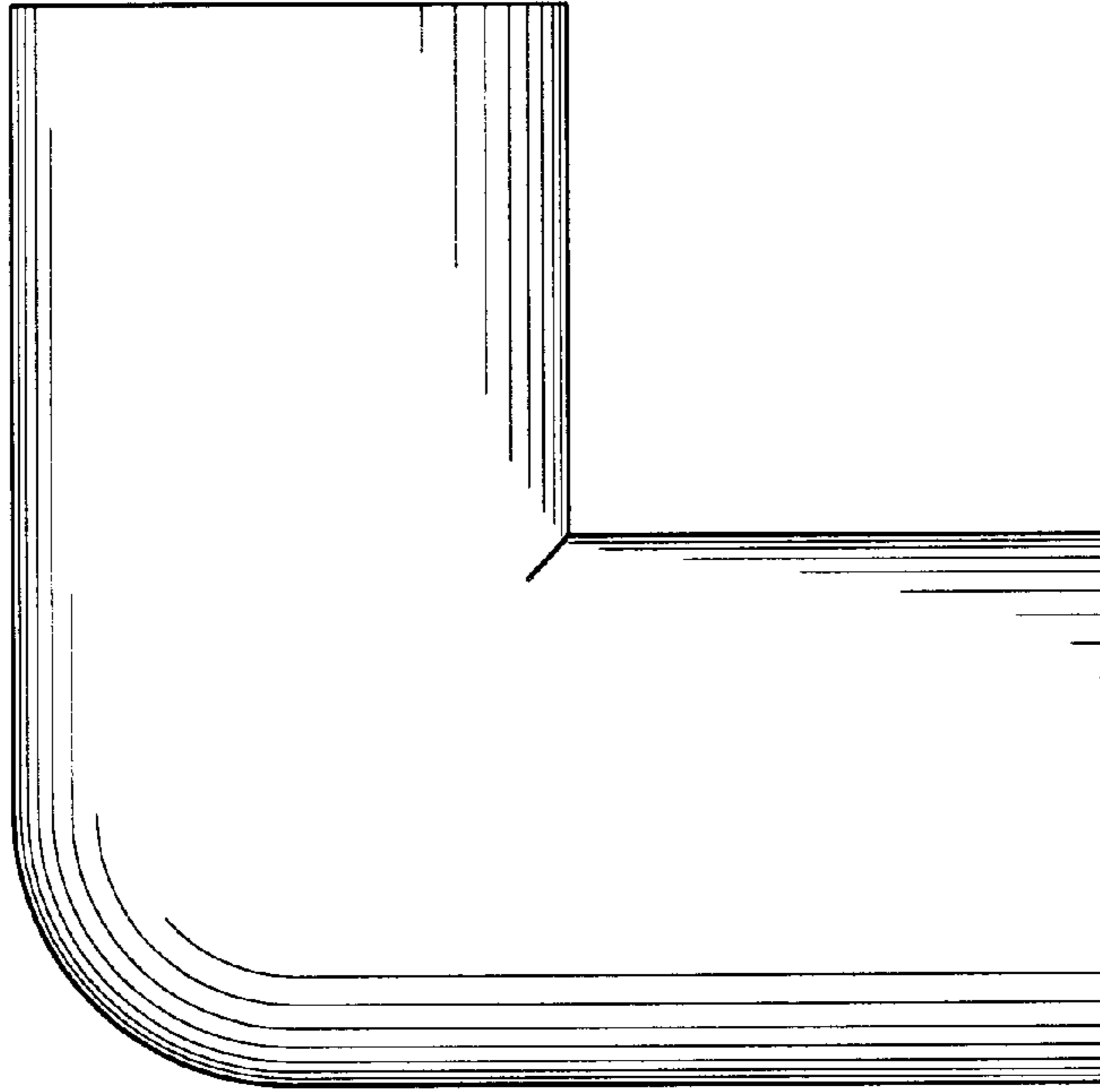


FIG. 4

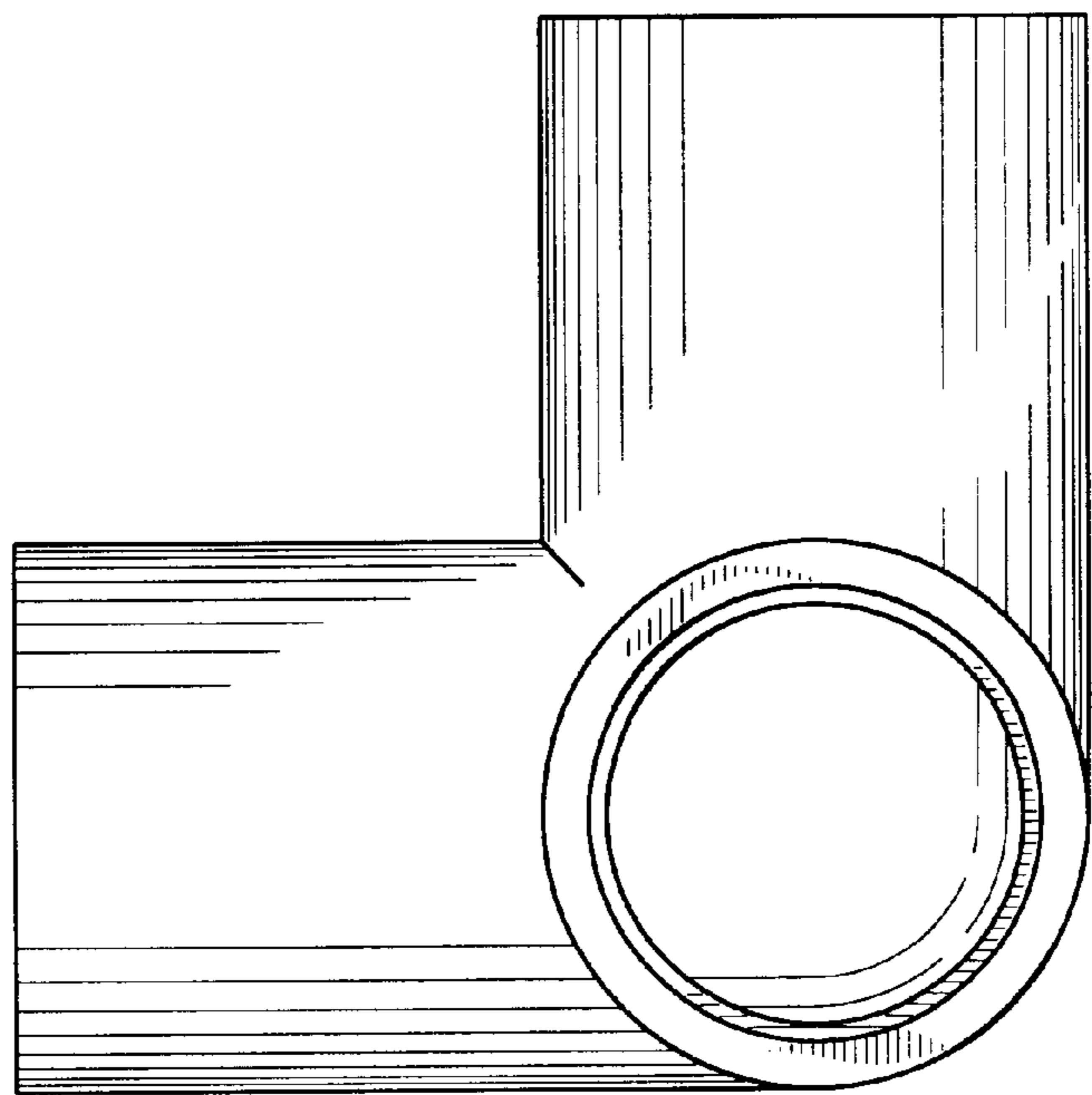


FIG. 5

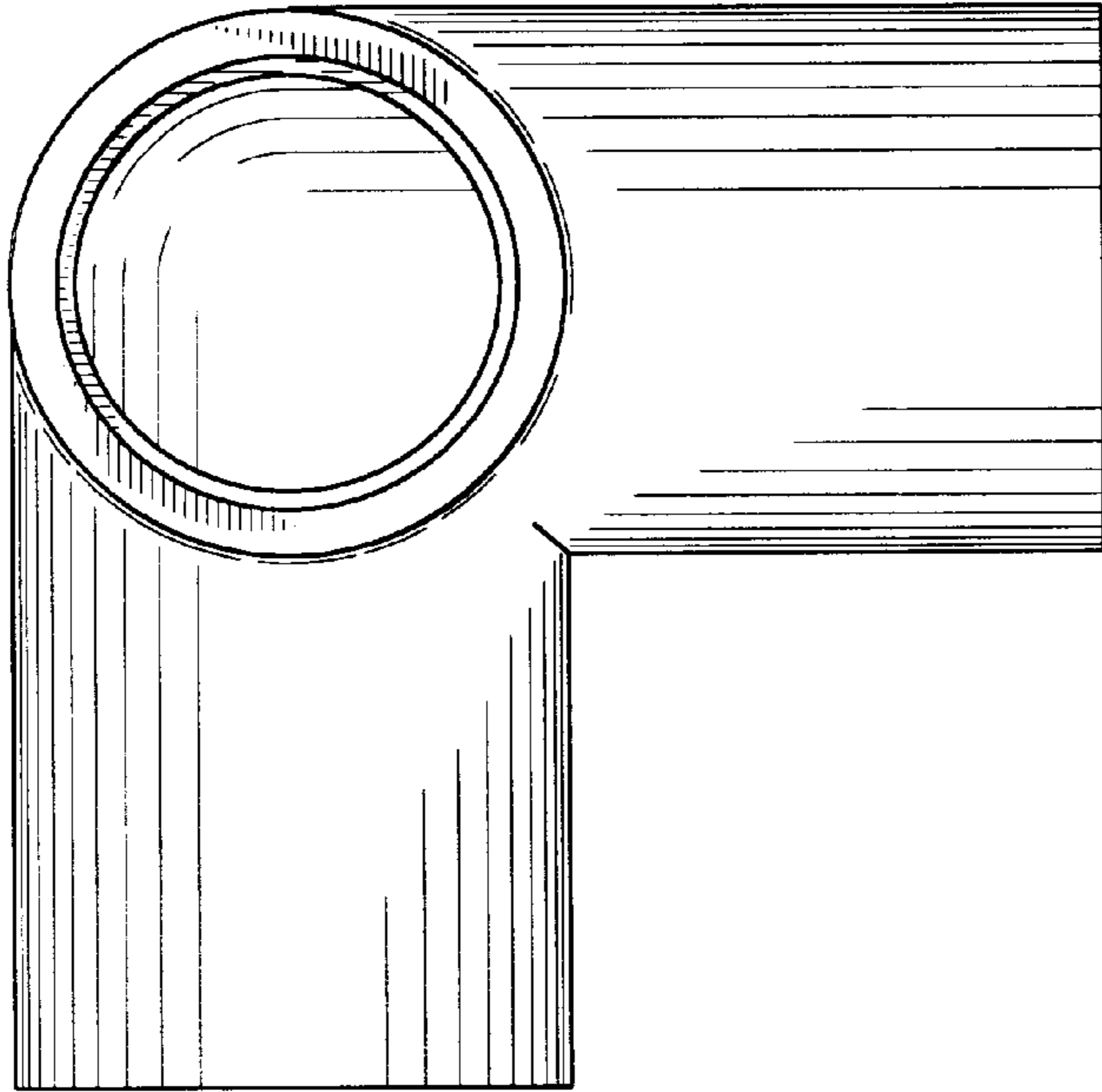
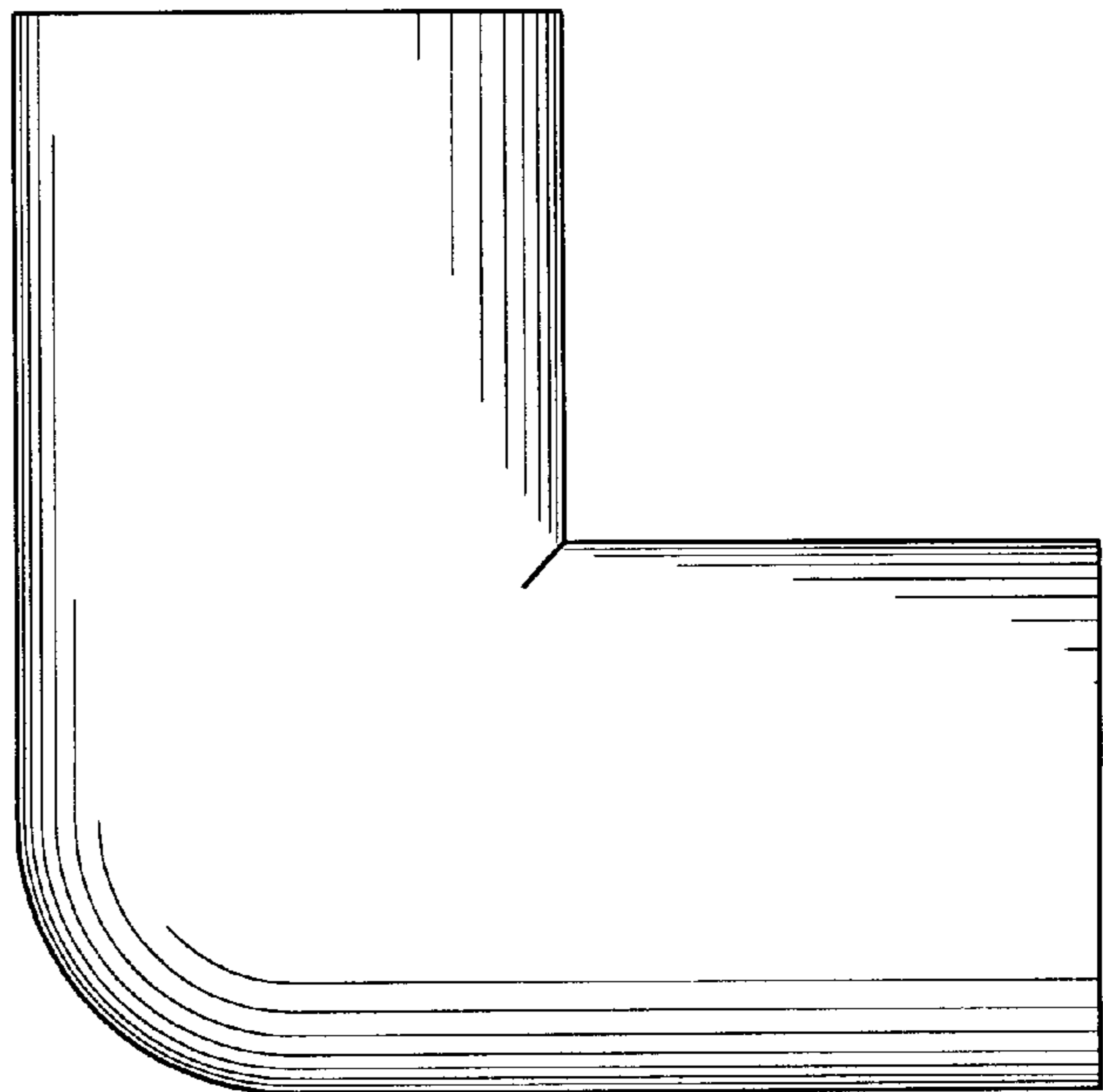


FIG. 6



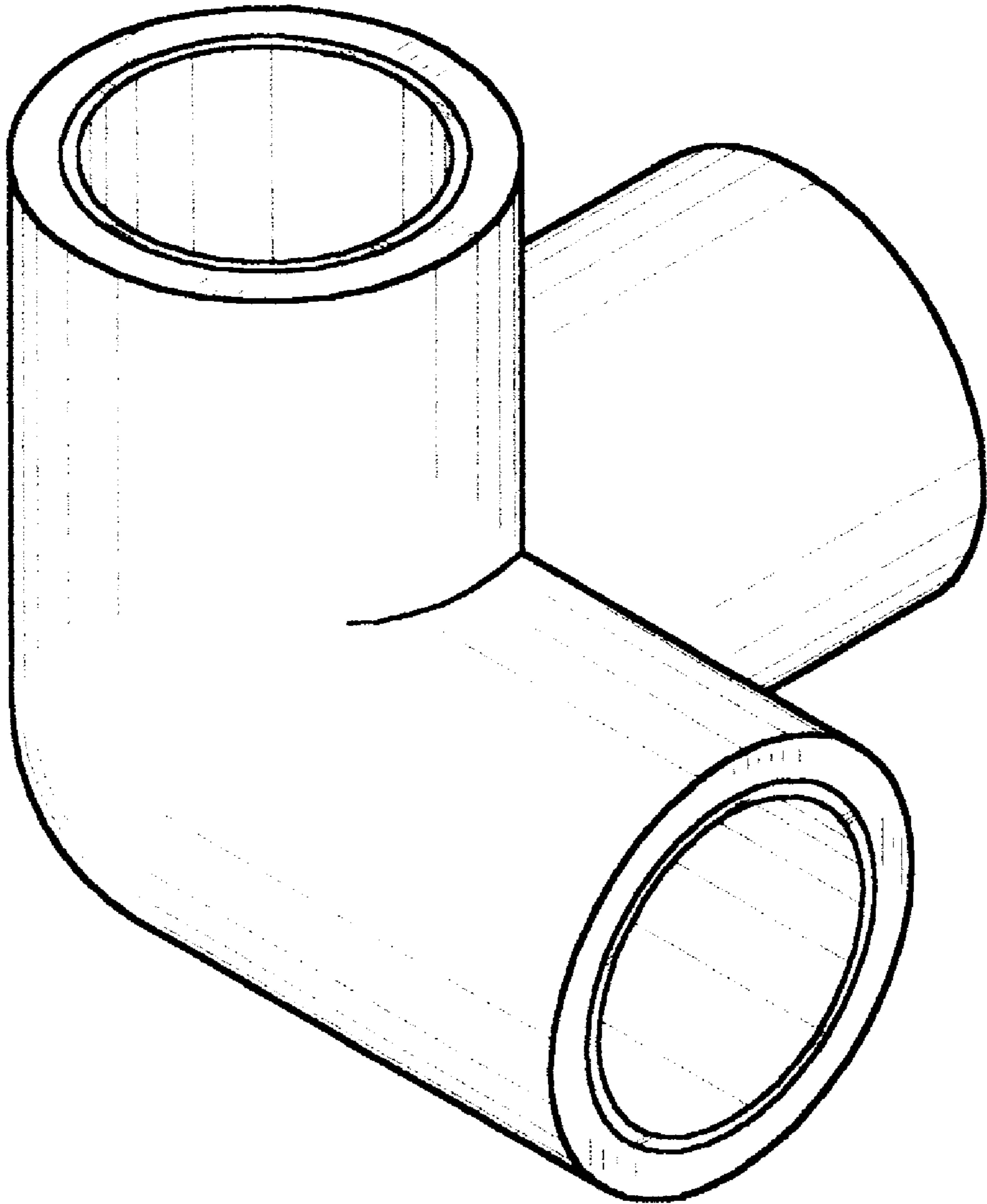


FIG. 7